



US00D824257S

(12) **United States Design Patent**
Wood et al.

(10) **Patent No.:** **US D824,257 S**
(45) **Date of Patent:** **** Jul. 31, 2018**

- (54) **CAP**
- (71) Applicant: **NOVEMBAL USA INC.**, Edison, NJ (US)
- (72) Inventors: **Christopher Wood**, Wauwatosa, WI (US); **Michel Luzzato**, Ecully (FR)
- (73) Assignee: **NOVEMBAL USA INC.**, Edison, NJ (US)
- (**) Term: **15 Years**
- (21) Appl. No.: **29/584,158**
- (22) Filed: **Nov. 11, 2016**
- (51) **LOC (11) Cl.** **09-07**
- (52) **U.S. Cl.**
USPC **D9/453**
- (58) **Field of Classification Search**
USPC D3/27, 29, 202, 318; D7/300, 300.1, D7/313, 314, 316, 387, 393, 396.1, 396.2, D7/396, 397, 398, 401.1, 509, 510, 511, D7/523, 525, 526, 527, 528, 538, 536, D7/602, 619.1, 900, 3, 98, 60, 2; D9/414-435, 447, 452-457, 499, 682, D9/685, 686, 688, 723, 724, 763, 772; D19/34.1, 162, 163, 164, 165, 192, 194; D24/121, 127, 224; D28/76, 78, 82
CPC B65D 21/0228; B65D 51/18; B65D 51/28; B65D 51/242; B65D 51/2814; B65D 51/2821; B65D 47/36; B65D 47/148; B65D 47/265; B65D 47/0895; B65D 43/02; B65D 43/14; B65D 43/16; B65D 43/26; B65D 43/0202; B65D 41/28; B65D 41/34; B65D 41/48; B65D 41/045; B65D 41/485; B65D 41/0483; B65D 41/0421; B65D 41/0485; B65D 41/3428; B65D 39/00; B65D 39/0005; B65D 39/02; B65D 39/08; B65D 39/14; B65D 39/19; B65D 39/0047; B65D 50/00; B65D 50/041; B65D 53/00; B65D 53/02; B65D 53/04; B65D 55/02; B65D 55/024;

B65D 2251/0018; B65D 2251/0026; B65D 2251/009; B65D 1/02; A47J 43/27; A47J 36/06; A47J 36/10; A47J 36/14; A47G 19/22; A47G 19/2205; A47G
(Continued)

(56) **References Cited**

U.S. PATENT DOCUMENTS

4,595,110 A * 6/1986 Herr B26F 1/18
215/252
D407,978 S * 4/1999 Petro D9/453
(Continued)

FOREIGN PATENT DOCUMENTS

CA 2831909 A1 * 11/2012 B65D 41/0421
CA 2839370 A1 * 12/2012 B65D 51/2821
(Continued)

Primary Examiner — Jennifer Rivard
Assistant Examiner — Catherine S Posthauer
(74) *Attorney, Agent, or Firm* — Finnegan, Henderson, Farabow, Garrett & Dunner LLP

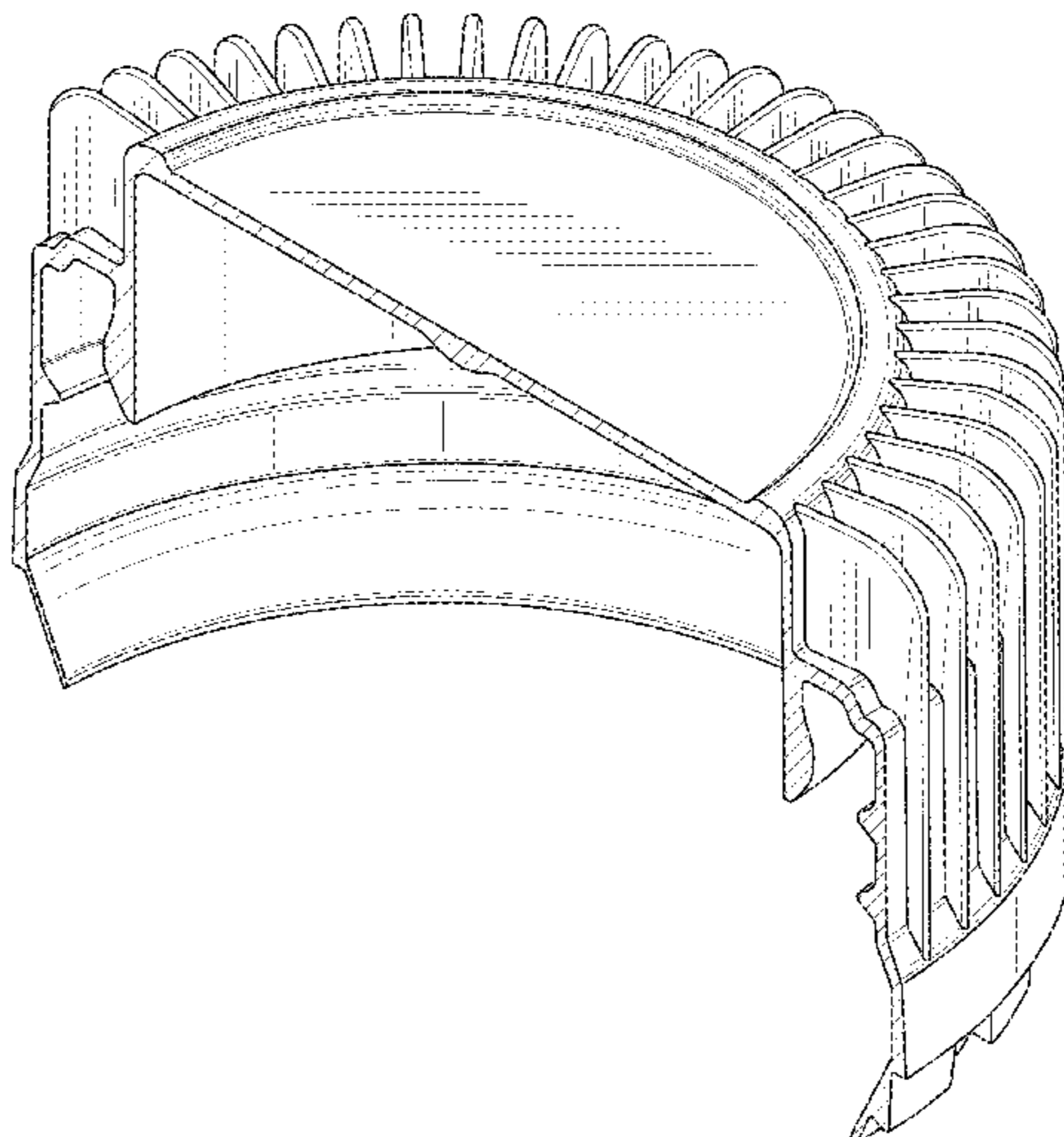
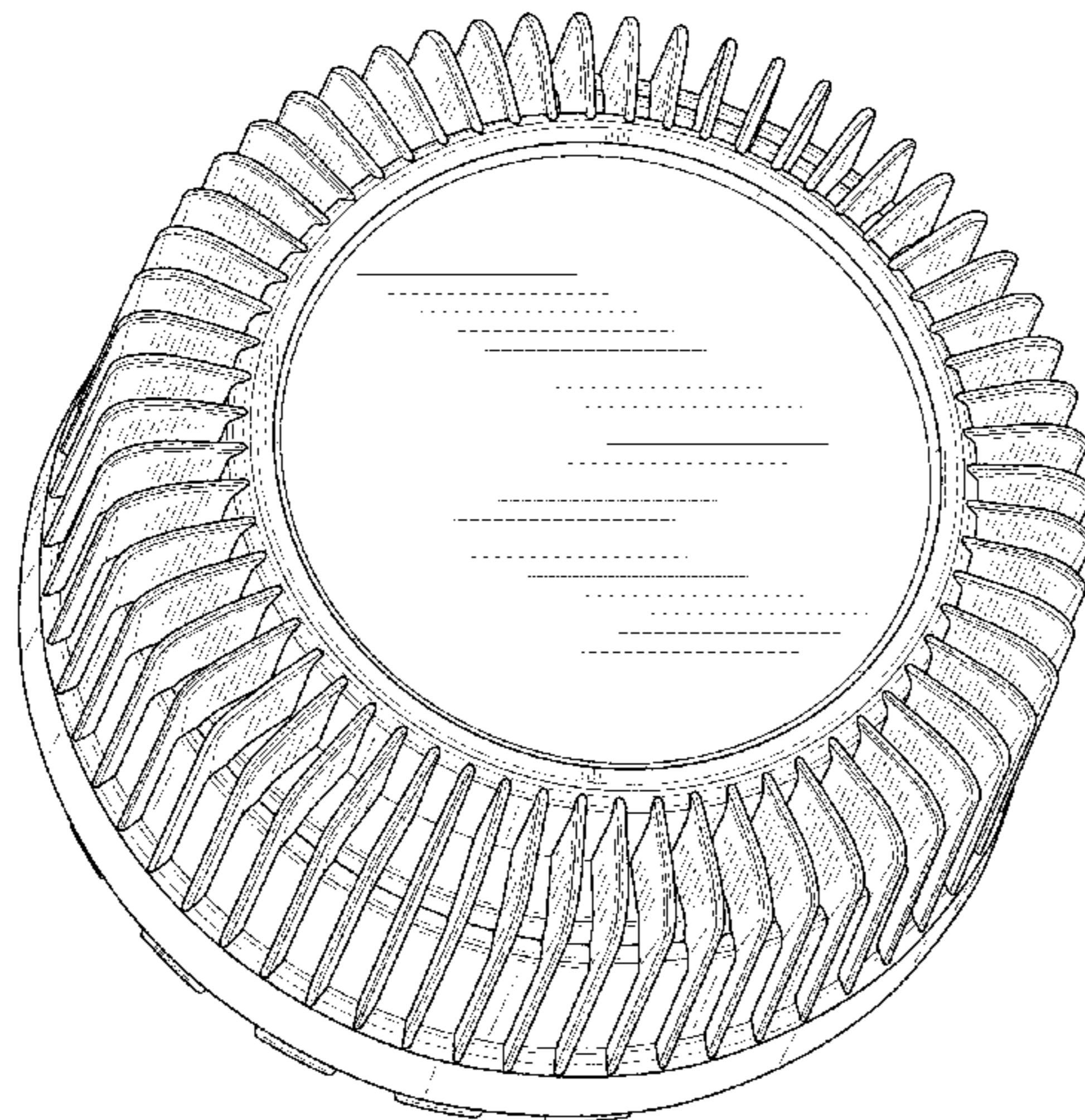
(57) **CLAIM**

The ornamental design for a cap, as shown and described.

DESCRIPTION

FIG. 1 is a top, front perspective view of a cap showing our new design;
FIG. 2 is a second top, front perspective view thereof;
FIG. 3 is a top plan view thereof;
FIG. 4 is a bottom, front perspective view thereof;
FIG. 5 is a bottom plan view thereof;
FIG. 6 is a front elevation view thereof, with the rear elevation, left side, right side views being identical thereto; and,
FIG. 7 is a cross sectional top, perspective view thereof taken about the midline of the cap as shown in FIG. 3.

1 Claim, 7 Drawing Sheets



US D824,257 S

Page 2

(58) **Field of Classification Search**

CPC 19/2222; A47G 19/2266; A47G 19/2272;
A47G 19/2294

See application file for complete search history.

(56) **References Cited**

U.S. PATENT DOCUMENTS

D458,138 S * 6/2002 Fuchs D9/453
6,405,886 B1 * 6/2002 Gearhart B65D 41/3428
215/252
D465,731 S * 11/2002 Brant D9/453
6,981,602 B2 * 1/2006 Ma B29C 43/42
215/254
D518,717 S * 4/2006 German D9/453
D584,149 S * 1/2009 Lohrman D9/453
D606,864 S * 12/2009 Robinson D9/453
D634,200 S * 3/2011 Taber D9/453
D671,834 S * 12/2012 Chasteen D9/453
D687,299 S * 8/2013 Peykoff D9/453
D693,221 S * 11/2013 Ramsey D9/453
D693,683 S * 11/2013 Ramsey D9/453
D693,685 S * 11/2013 Ramsey D9/453
8,672,158 B2 * 3/2014 Taber B65D 41/04
215/228

D723,919 S * 3/2015 Taber D9/438
D762,115 S * 7/2016 Corvaglia D9/443
2009/0014404 A1 * 1/2009 Russell B65D 50/041
215/220
2011/0290754 A1 * 12/2011 Taber B65D 41/04
215/329
2011/0290755 A1 * 12/2011 Taber B65D 41/00
215/329
2013/0313218 A1 * 11/2013 Cox B65D 41/0485
215/246
2015/0122769 A1 * 5/2015 Taber B65D 51/145
215/350
2016/0332783 A1 * 11/2016 Kim B65D 41/34
2017/0166360 A1 * 6/2017 Falzoni B65D 41/0428

FOREIGN PATENT DOCUMENTS

FR 2863589 A1 * 6/2005 B65D 41/0421
FR 2911584 A1 * 7/2008 B65D 41/3428
JP 3318752 B2 * 8/2002 B65D 41/3428
WO WO-2007147206 A1 * 12/2007 B65D 41/0421
WO WO-2011098739 A1 * 8/2011 B65D 41/0485
WO WO-2012102599 A2 * 8/2012 B65D 41/0485

* cited by examiner

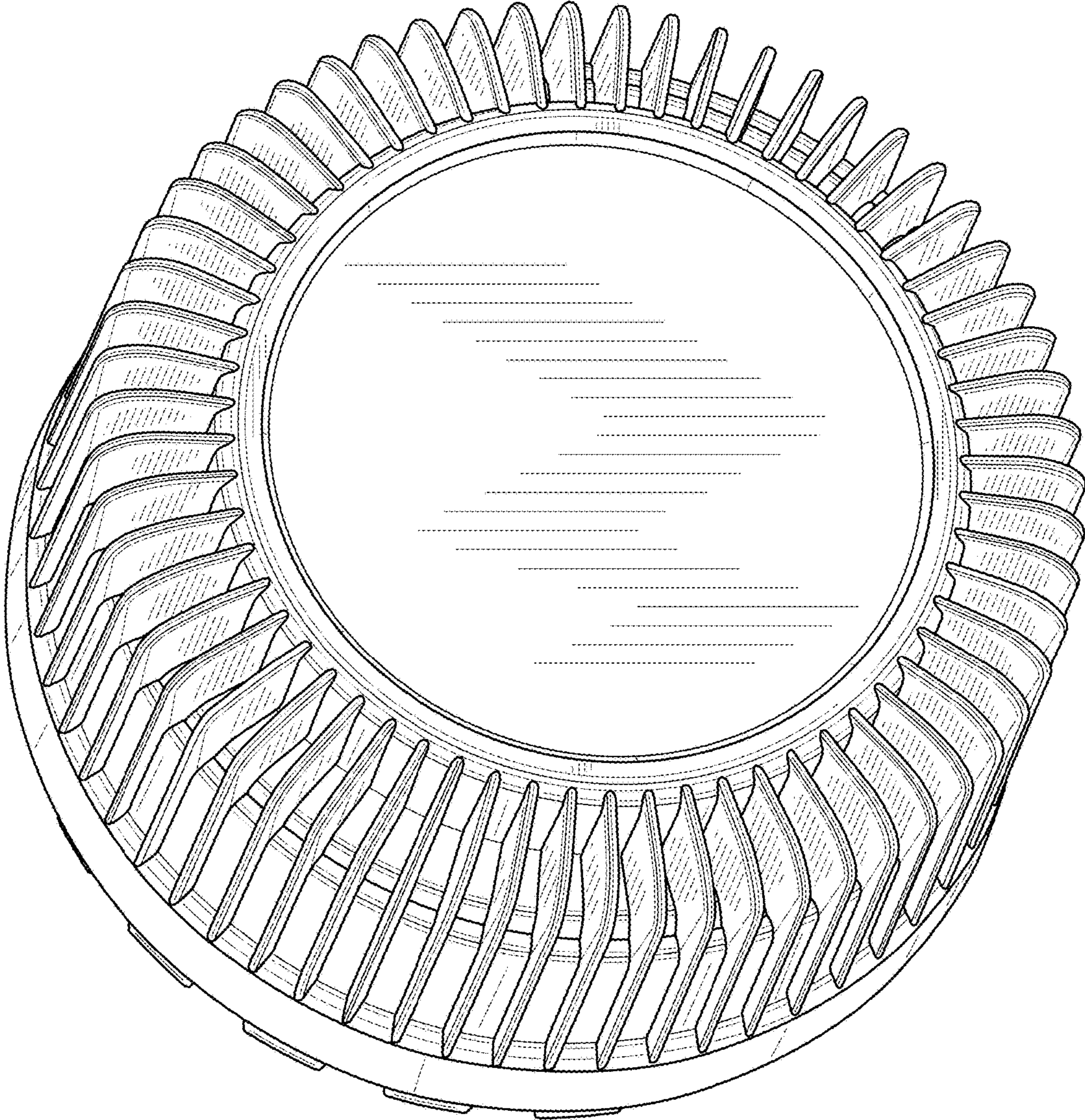


FIG. 1

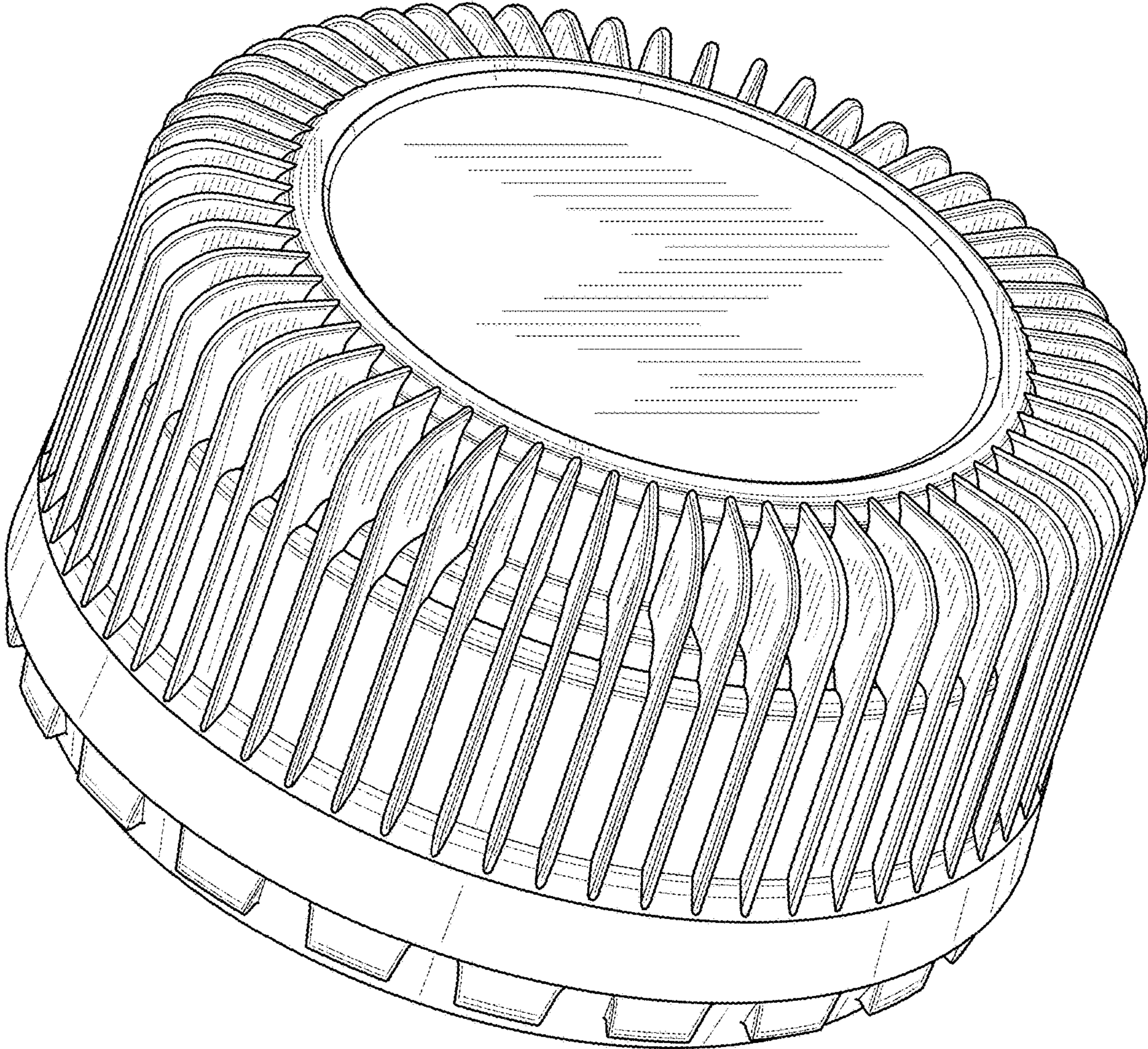


FIG. 2

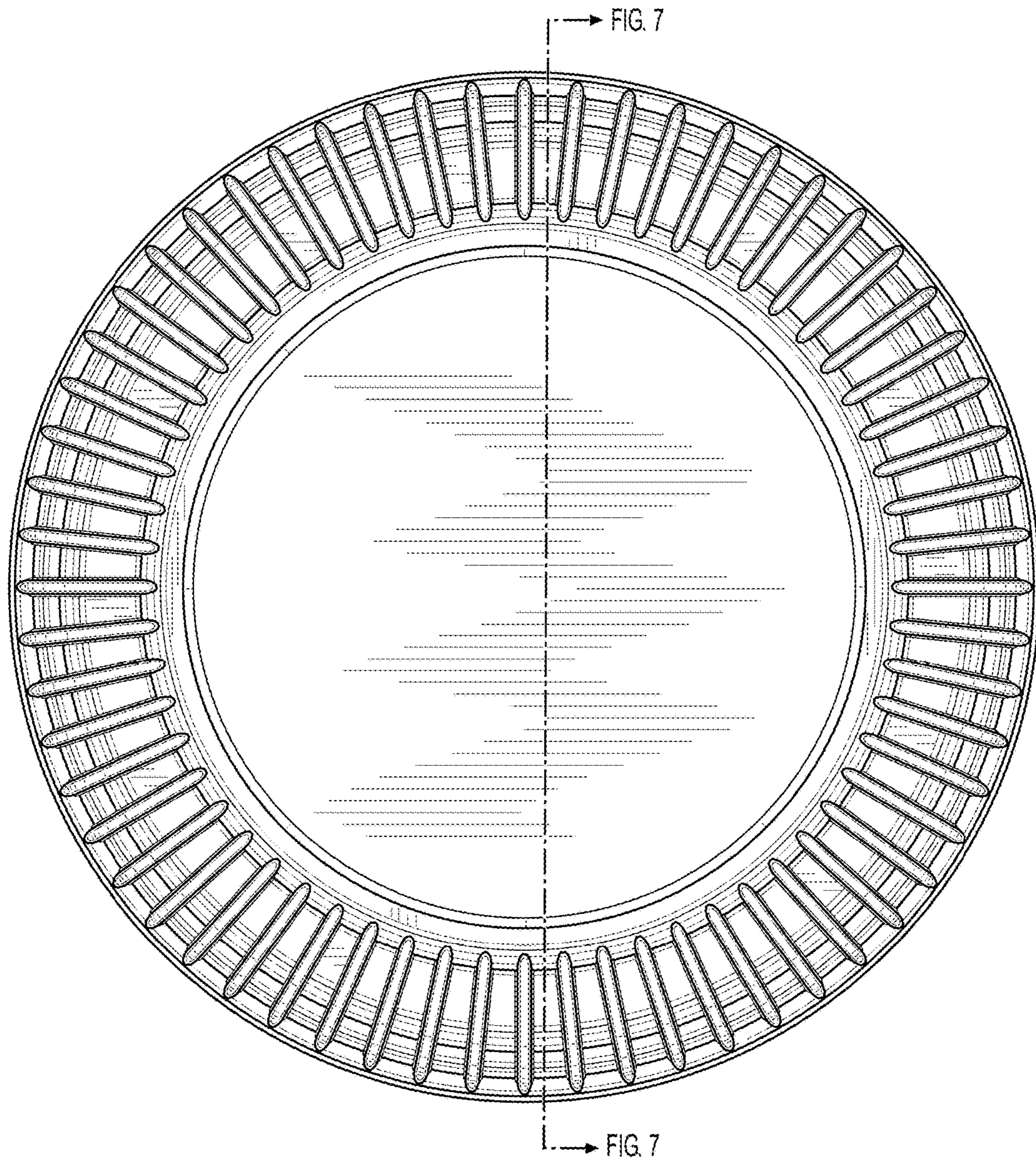


FIG. 3

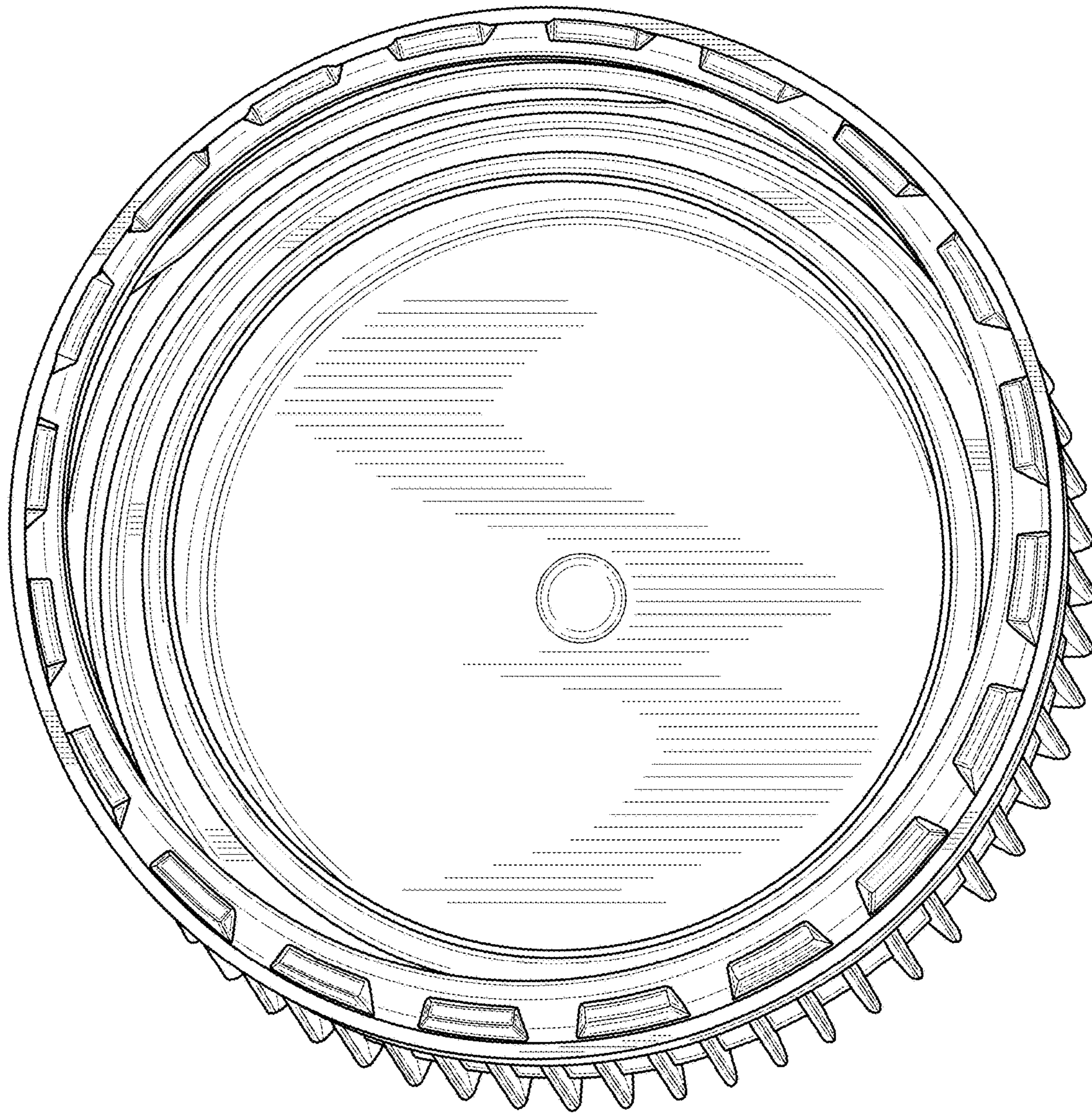


FIG. 4

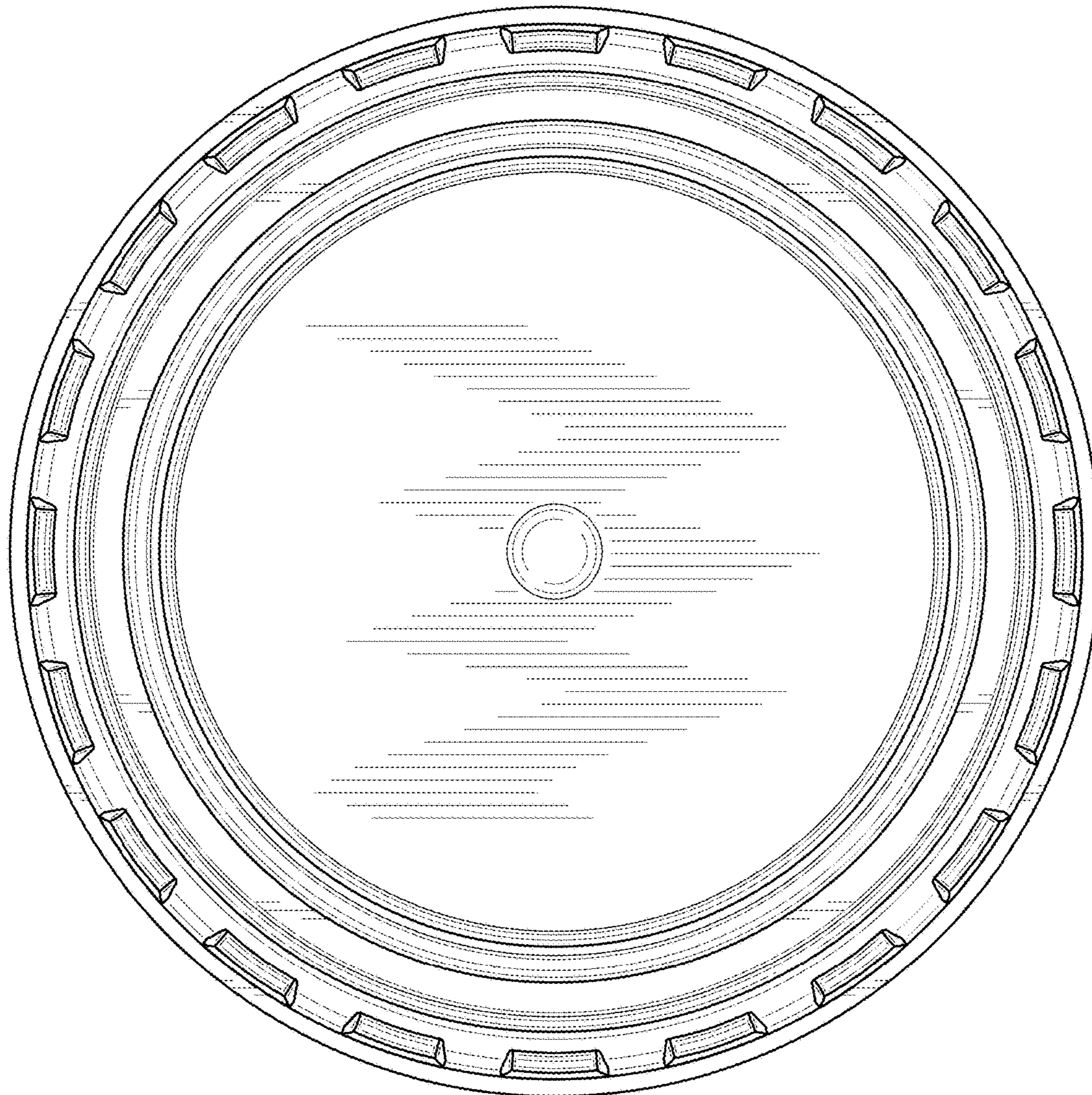


FIG. 5

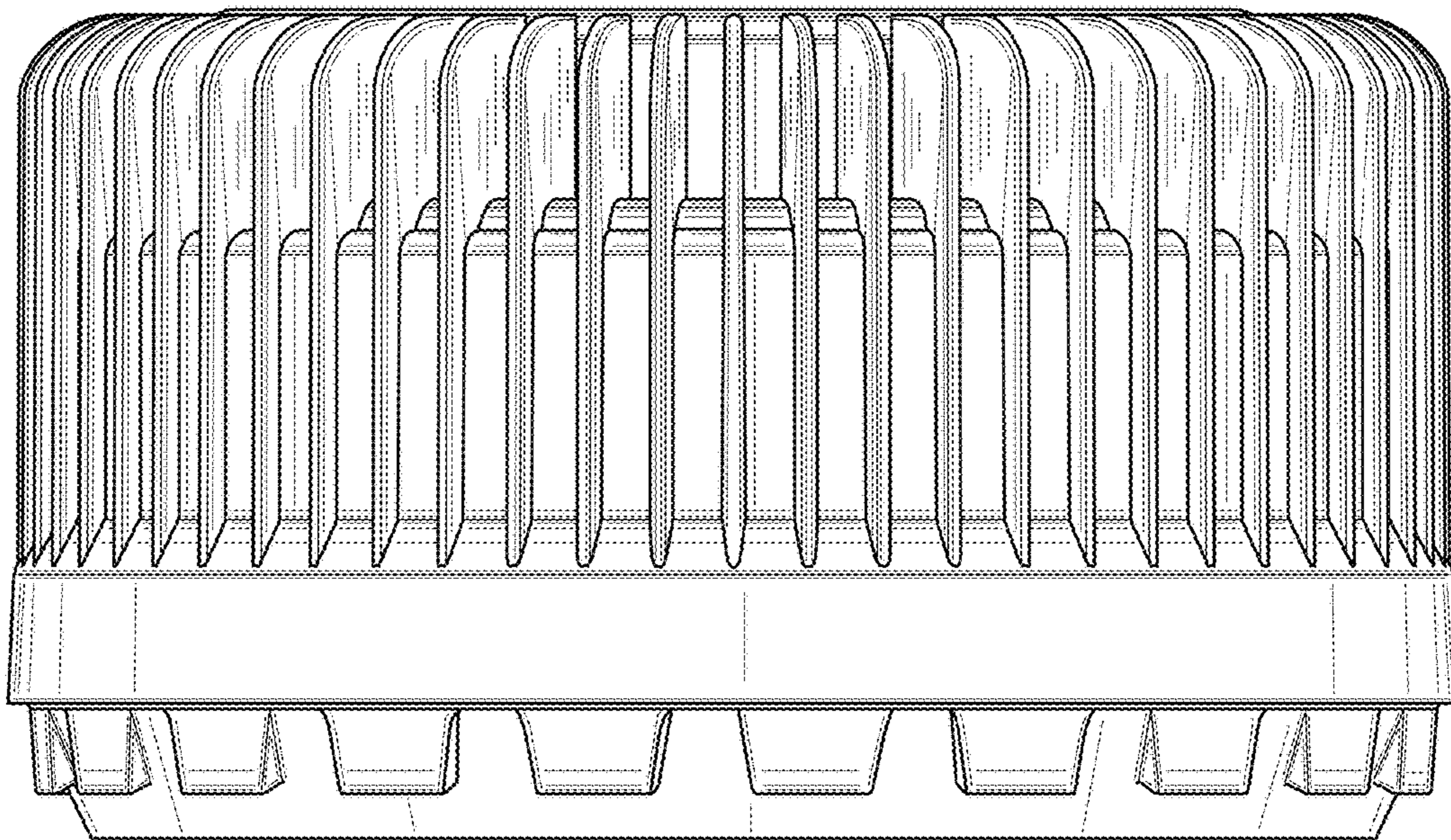


FIG. 6

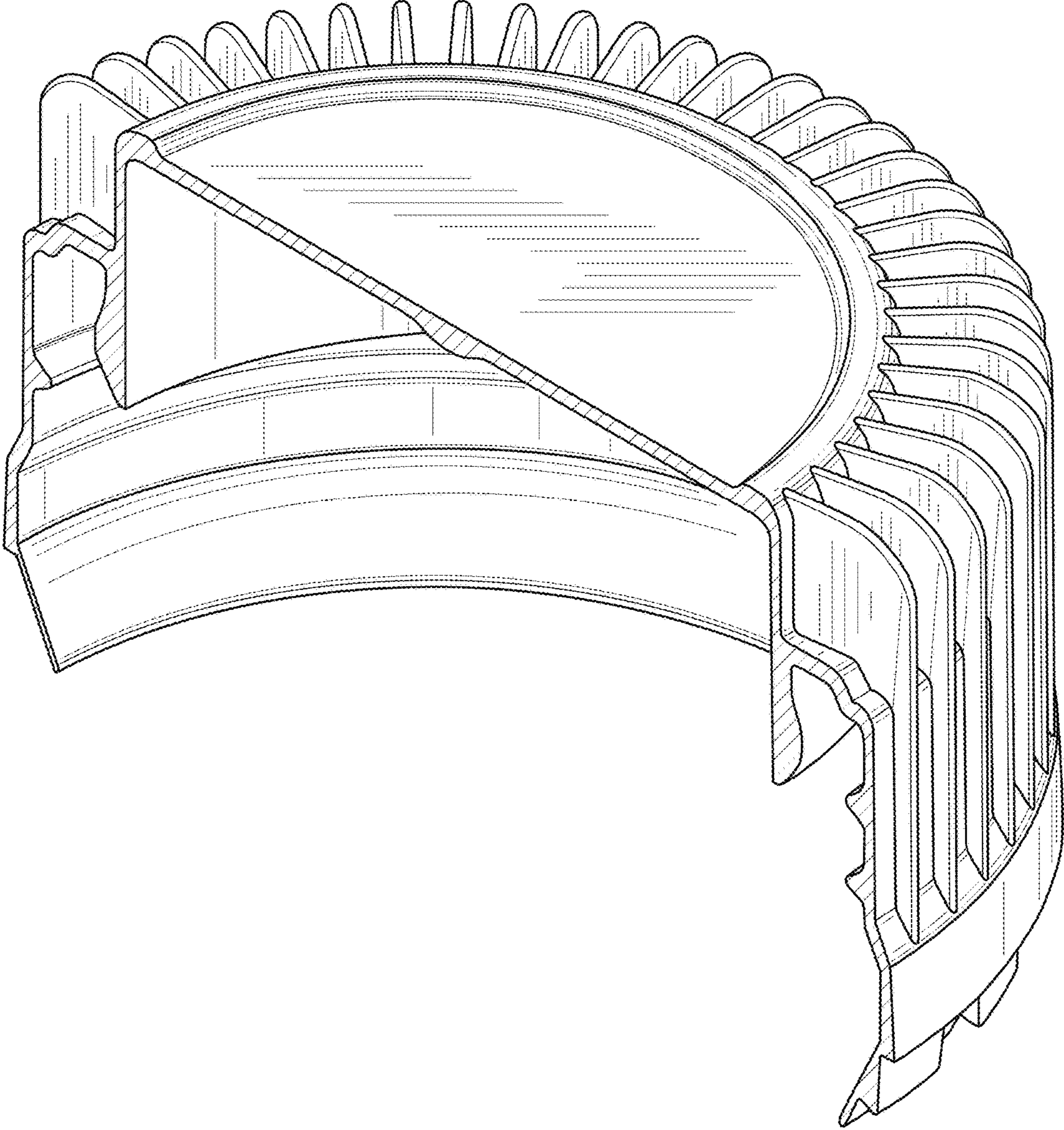


FIG. 7