



US00D824253S

(12) **United States Design Patent**
Mayer

(10) **Patent No.:** **US D824,253 S**

(45) **Date of Patent:** **** Jul. 31, 2018**

(54) **BOX WITH INSERT**

(71) Applicant: **Markus Mayer**, Lindau (DE)

(72) Inventor: **Markus Mayer**, Lindau (DE)

(73) Assignee: **Rose Plastic AG** (DE)

(**) Term: **15 Years**

(21) Appl. No.: **29/589,222**

(22) Filed: **Dec. 29, 2016**

(51) **LOC (11) Cl.** **09-03**

(52) **U.S. Cl.**
USPC **D9/432**

(58) **Field of Classification Search**

USPC D3/260, 272, 273, 302, 304, 309, 310,
D3/313, 315, 319, 901, 903, 904;
D6/524, 532, 536, 672, 683, 688.13, 691,
D6/704, 706; D7/323, 360, 369.1, 412,
D7/417, 500, 505, 513, 538-545, 550.1,
D7/552.1, 553.1, 553.2, 553.7, 554.1,
D7/555, 584, 586, 600.1, 601, 602, 610,
D7/614, 615, 629, 698, 701; D9/414,
D9/415, 416, 418, 420, 423, 424, 425,
D9/432, 433, 434, 435, 456, 457, 500,
D9/502-505, 516, 549, 552, 556, 561,
(Continued)

(56) **References Cited**

U.S. PATENT DOCUMENTS

3,586,010 A * 6/1971 Landen A45D 40/22
132/287
D241,403 S * 9/1976 Holmqvist D7/357
(Continued)

OTHER PUBLICATIONS

Wooden Sliding Boxes: Annouced Jul. 4, 2015 [online], site visited Aug. 30, 2017. Available from Internet URL: <http://www.usbox.com/Gift-Basket/Wooden-Slide-Top-Boxes/0LV-thumb/>.*

(Continued)

Primary Examiner — Jennifer A Rivard
Assistant Examiner — Catherine Suzanne Posthauer
(74) *Attorney, Agent, or Firm* — Cohen & Grigsby, P.C.

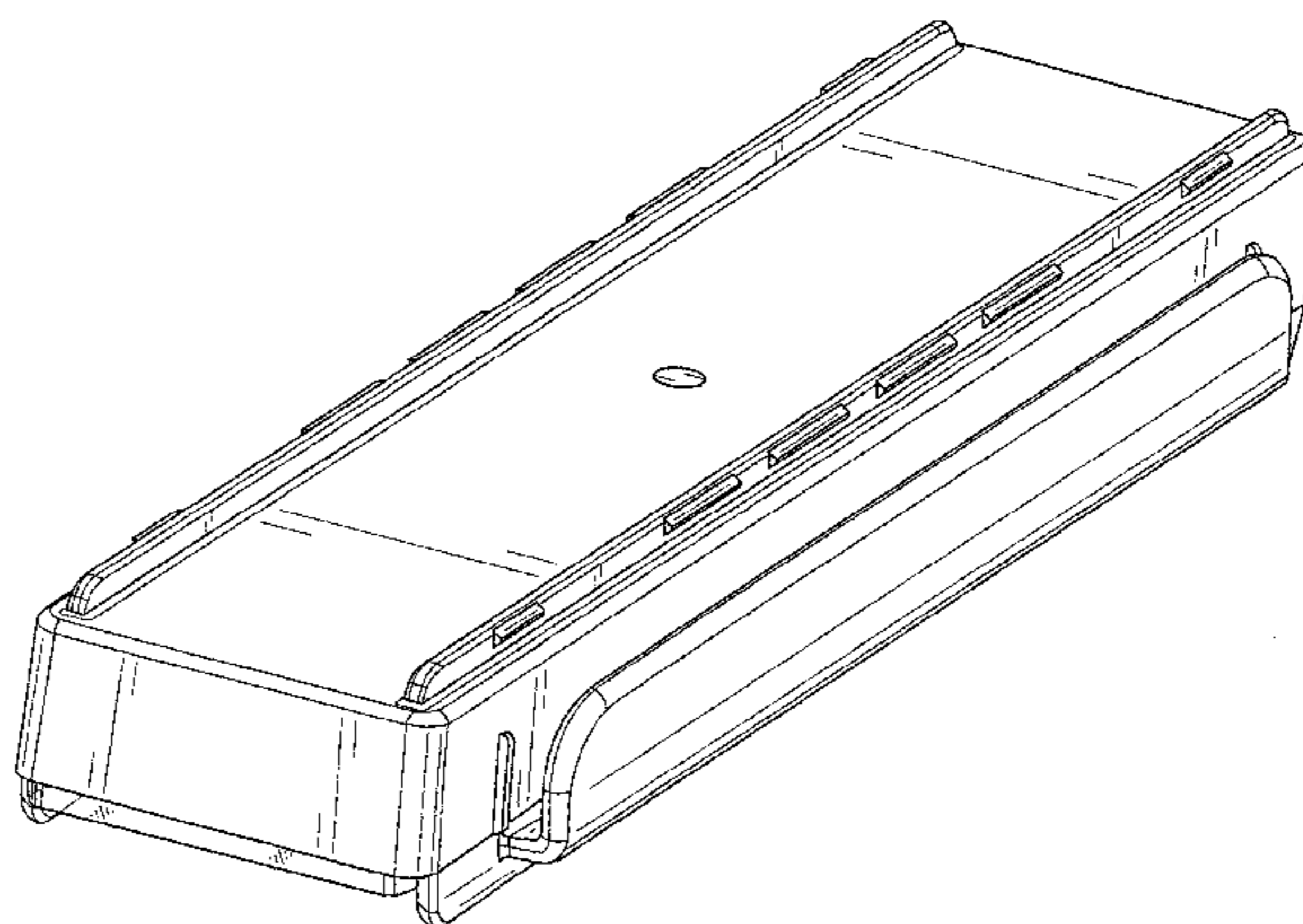
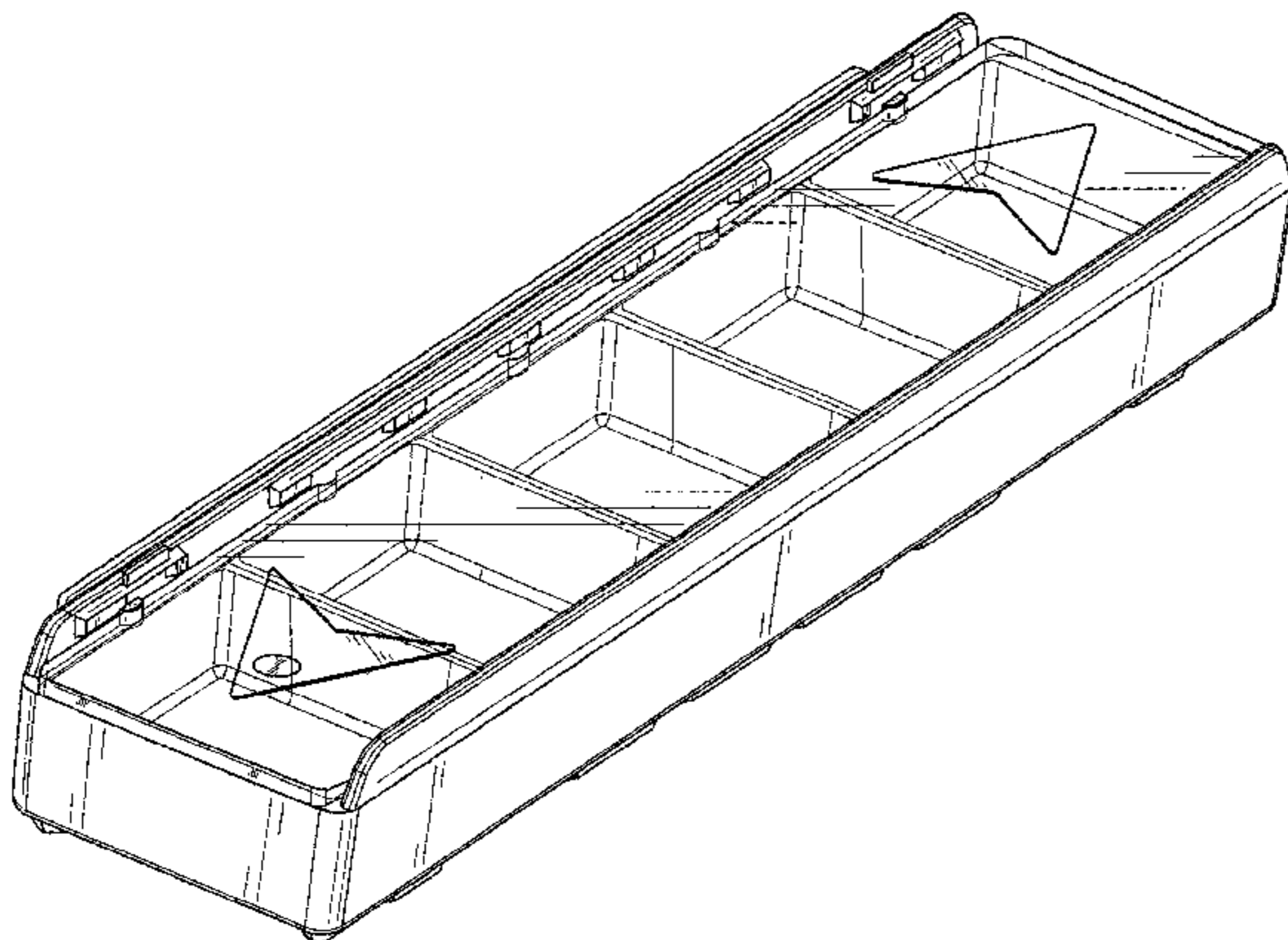
(57) **CLAIM**

The ornamental design for a box with insert, as shown and described.

DESCRIPTION

FIG. 1 is a first top perspective view of the box with insert. FIG. 2 is a first top perspective of the box with insert with the top cover removed. FIG. 3 is a first perspective view of the top cover of the box with insert. FIG. 4 is a first bottom perspective of the box with insert. FIG. 5 is a second bottom perspective of the box with insert. FIG. 6 is another bottom perspective view of the box with insert. FIG. 7 is a second top perspective view of the box with insert with the top cover removed. FIG. 8 is a second top perspective view of the box with insert. FIG. 9 is a second perspective view of the top cover of the box with insert. FIG. 10 is another top perspective view of the box with insert. FIG. 11 is another bottom perspective view of the box with insert. FIG. 12 is another bottom perspective view of the box with insert. FIG. 13 is another bottom perspective view of the box with insert; and, FIG. 14 is another top perspective view of the box with insert.

1 Claim, 14 Drawing Sheets



US D824,253 S

Page 2

(58) **Field of Classification Search**

USPC D9/571, 600, 609, 652, 702, 713, 748,
D9/759, 760, 761, 770, 901, 904, 756;
D19/1, 27, 28; D24/127, 216, 224, 227,
D24/228, 229, 230; D27/172, 186;
D28/73, 76, 83
CPC A47J 9/00; A47J 27/00; A47J 27/10; A47J
37/00; A47J 37/01; A47J 37/04; A47J
37/06; A47J 37/10; A47J 43/00; B65D
1/243; B65D 1/36; B65D 1/0223; B65D
1/34; B65D 2501/24019; B65D
2501/24165; B65D 2501/24152; B65D
11/18; B65D 85/30; B65D 85/32; B65D
5/4204; B65D 5/706; B65D 5/705; B65D
15/08; B65D 65/22; B65D 2577/205;
B65B 1/04; A61B 50/00; A61B 2050/005;
A45D 40/22

See application file for complete search history.

(56) **References Cited**

U.S. PATENT DOCUMENTS

D270,225 S * 8/1983 Chiulli D7/357
4,932,547 A * 6/1990 Rodriguez A45C 11/24
206/1.5
D314,445 S * 2/1991 Addis D28/76
D315,868 S * 4/1991 Gelardi D9/456
D326,409 S * 5/1992 Krueger D9/424
D353,095 S * 12/1994 Kendra D9/456
5,904,263 A * 5/1999 St. Pierre B65D 1/30
220/23.4

D413,042 S * 8/1999 Nilsson D7/357
6,192,895 B1 * 2/2001 Yuhara A45C 13/008
132/294
6,363,947 B1 * 4/2002 Wu A45D 33/18
132/294
D515,244 S * 2/2006 Bae D28/83
D559,613 S * 1/2008 DeMirjian, III D7/357
D581,720 S * 12/2008 Kellermann D7/357
D630,096 S * 1/2011 Doster D9/456
D655,046 S * 2/2012 Nakamura D28/83
D664,442 S * 7/2012 Ciulla D9/418
D674,691 S * 1/2013 Martineck D9/432
D682,474 S * 5/2013 Owen D28/83
D690,164 S * 9/2013 Lock D7/553.2
D697,791 S * 1/2014 Jones D9/423
D713,196 S * 9/2014 Sarnoff D7/354
D756,561 S * 5/2016 Ghiotti D27/186
D779,339 S * 2/2017 Stronski D9/457
D790,294 S * 6/2017 Lai D7/698
2014/0124406 A1 * 5/2014 Ishikawa B65D 21/0213
206/557
2014/0231302 A1 * 8/2014 Goyal A61B 19/026
206/571
2017/0210505 A1 * 7/2017 Tacchi B65D 5/5002
2017/0217658 A1 * 8/2017 Whitehurst B65D 5/38
206/1.5

OTHER PUBLICATIONS

Compartmented Wooden Box with Sliding Lid: Site Visited Aug.
30, 2017. Available from Internet URL: [https://www.etsy.com/uk/
listing/110925223/wooden-box-three-compartment-
reclaimed?show_sold_out_detail=1](https://www.etsy.com/uk/listing/110925223/wooden-box-three-compartment-reclaimed?show_sold_out_detail=1).*

* cited by examiner

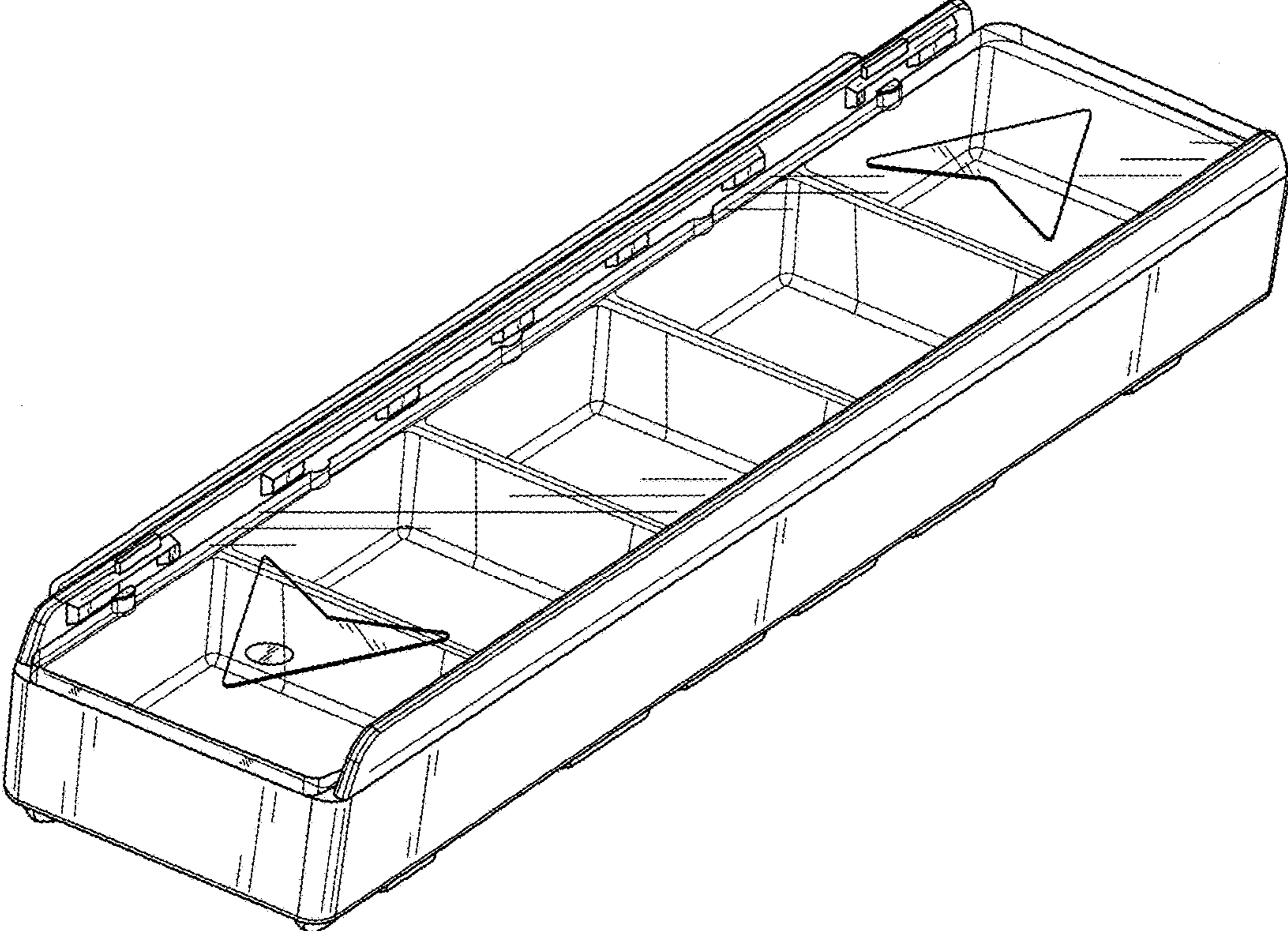


FIG. 1

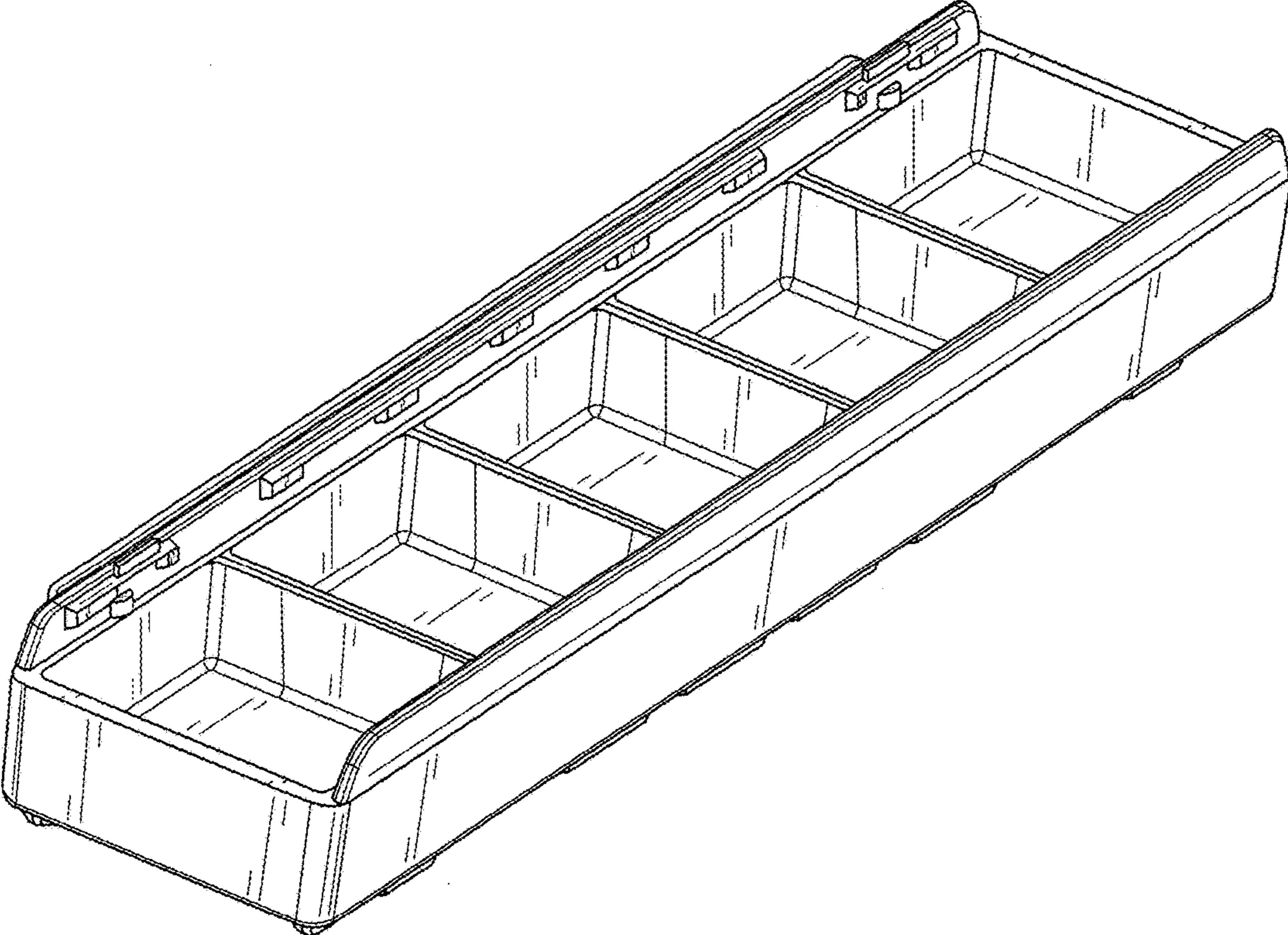


FIG. 2

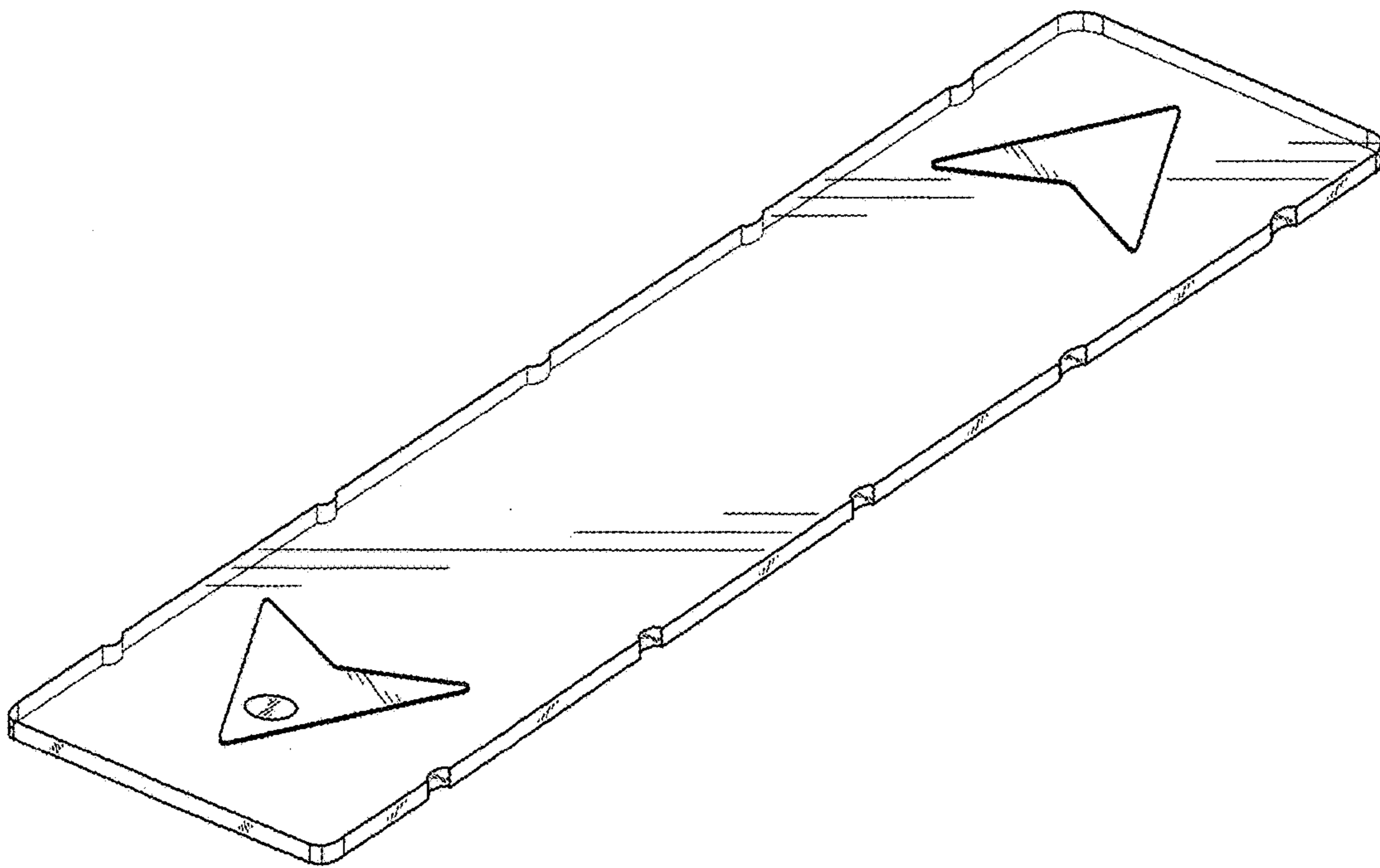


FIG. 3

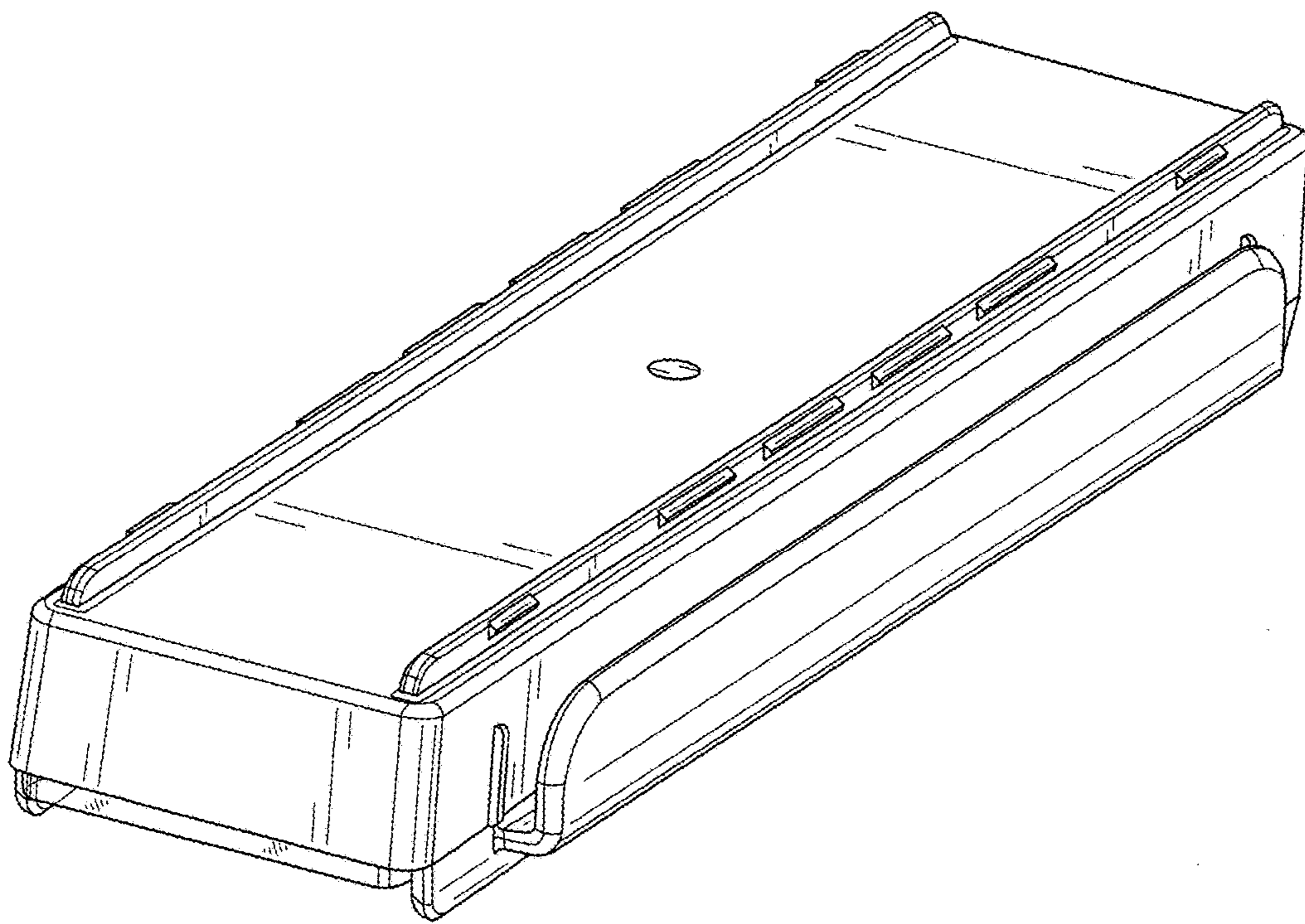


FIG. 4

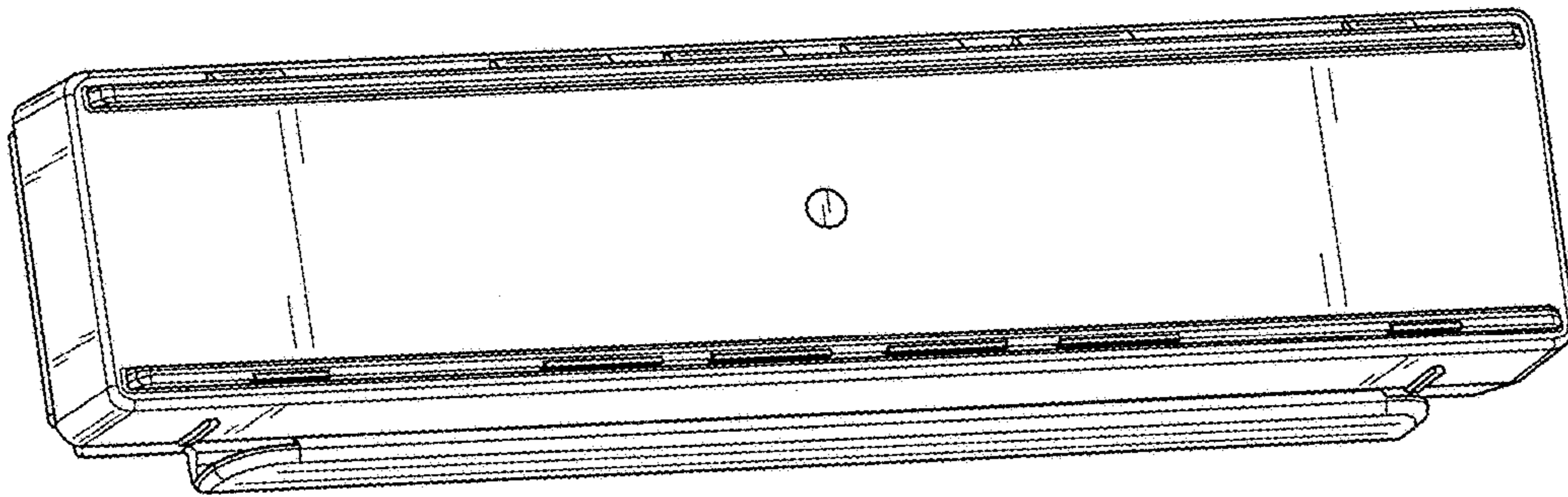


FIG. 5

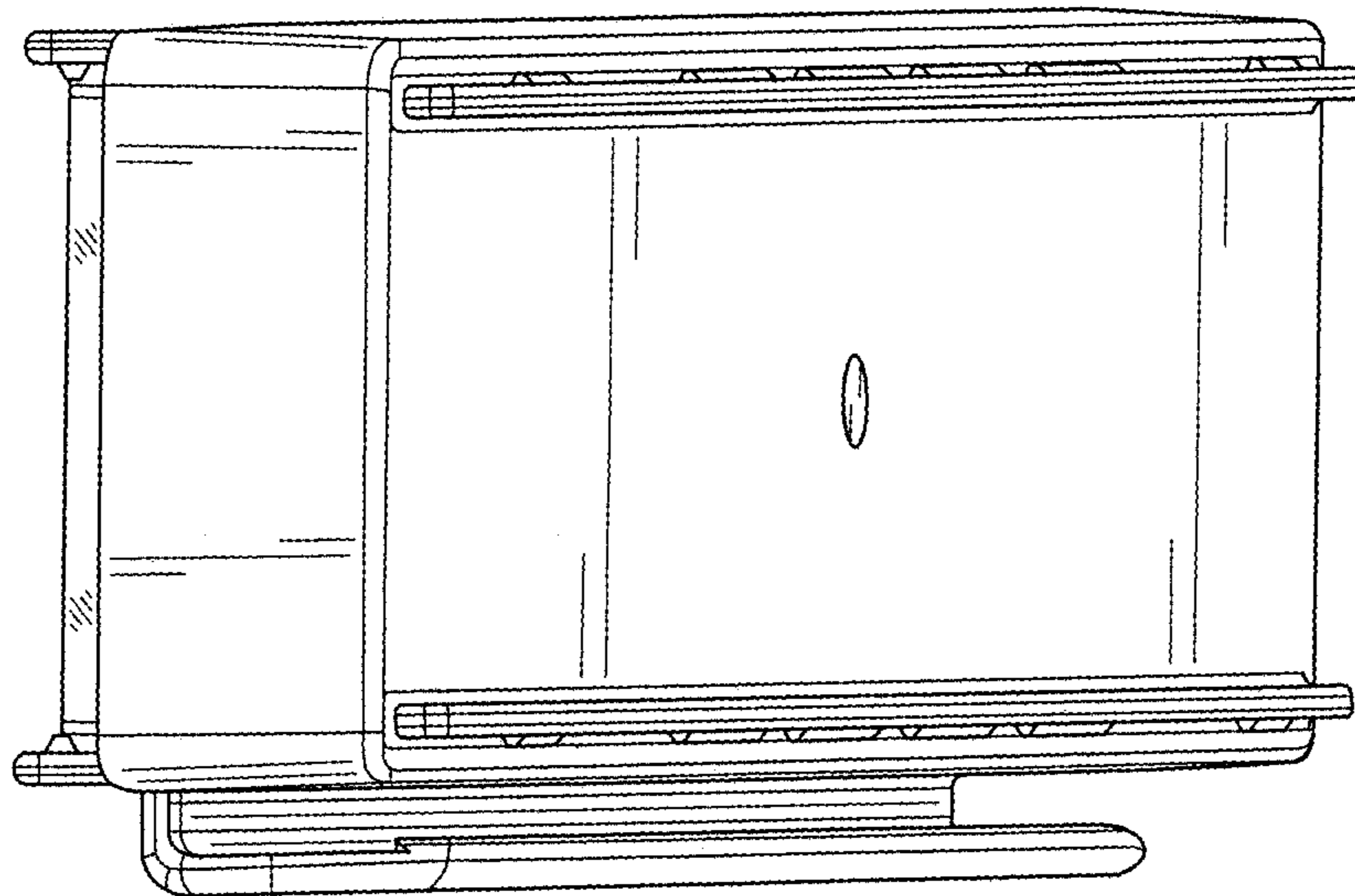


FIG. 6

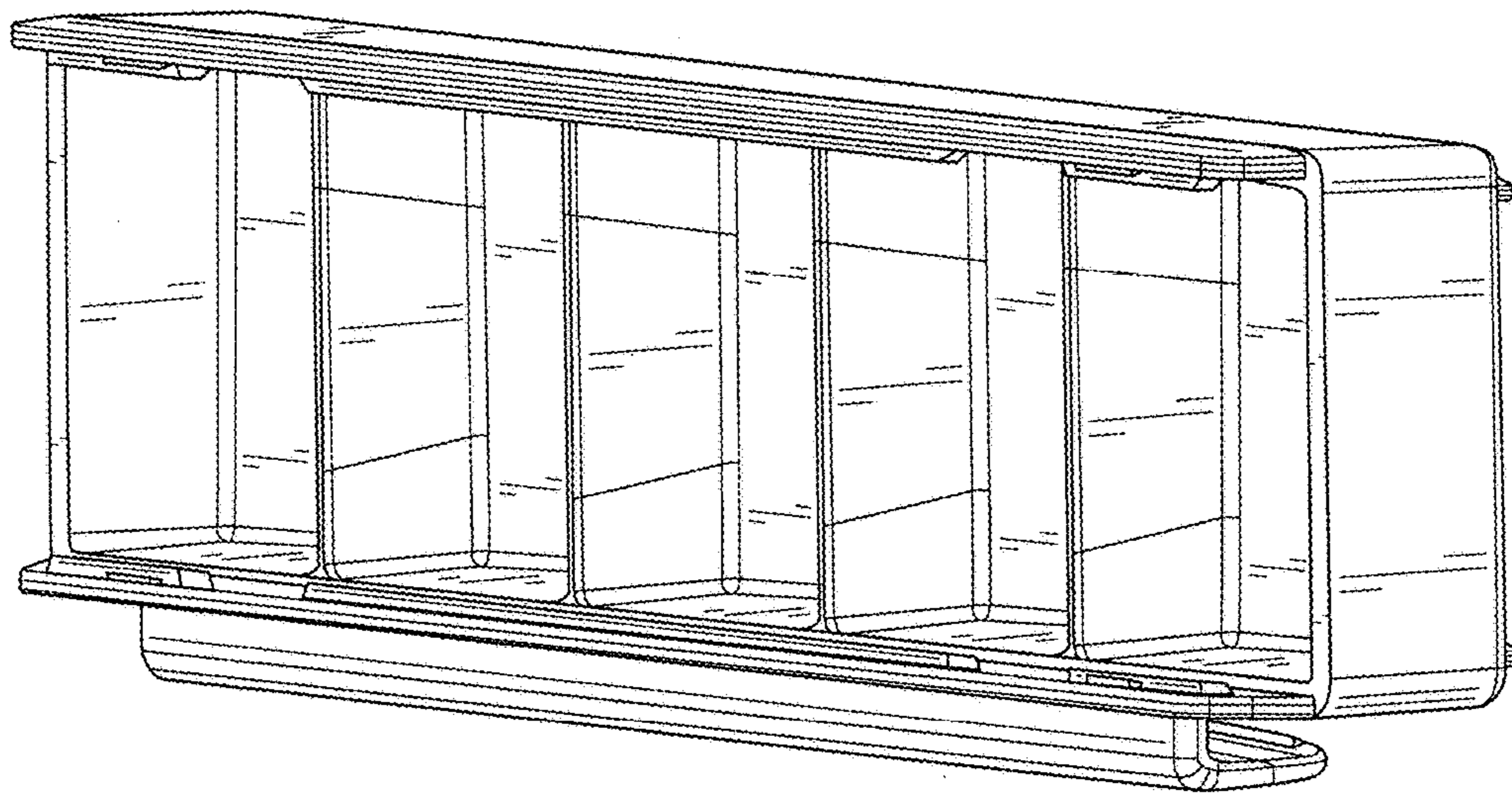


FIG. 7

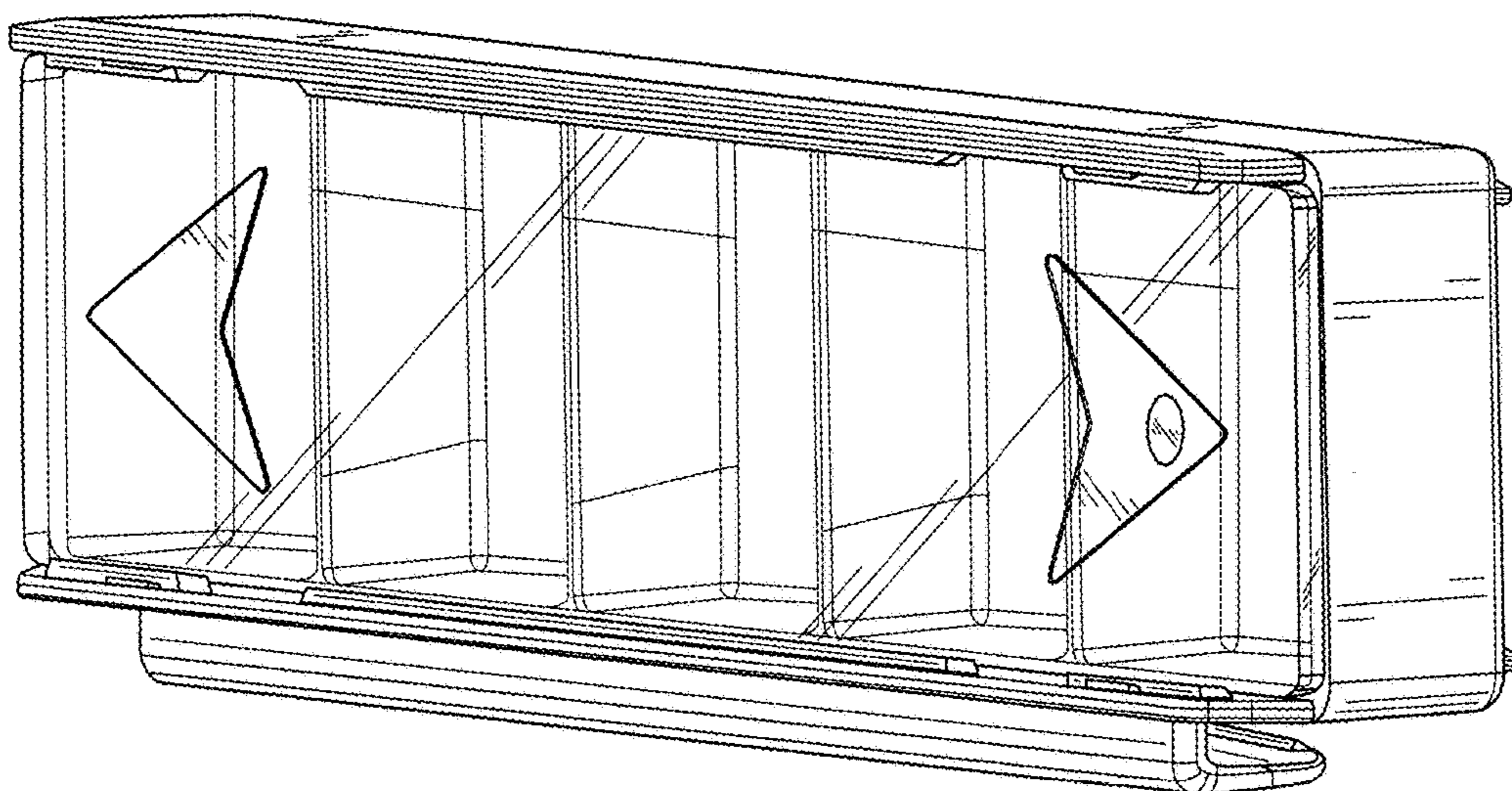


FIG. 8

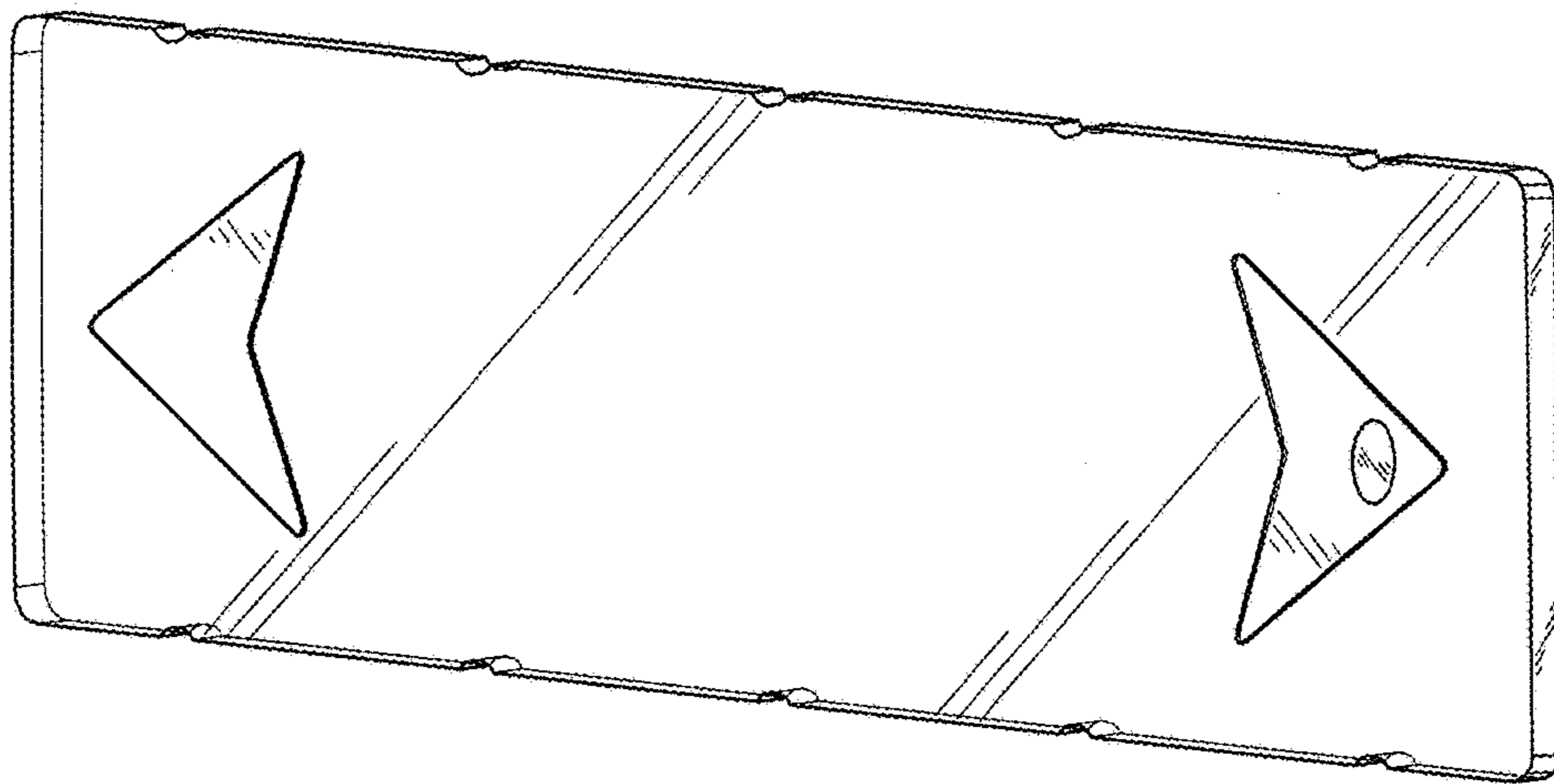


FIG. 9

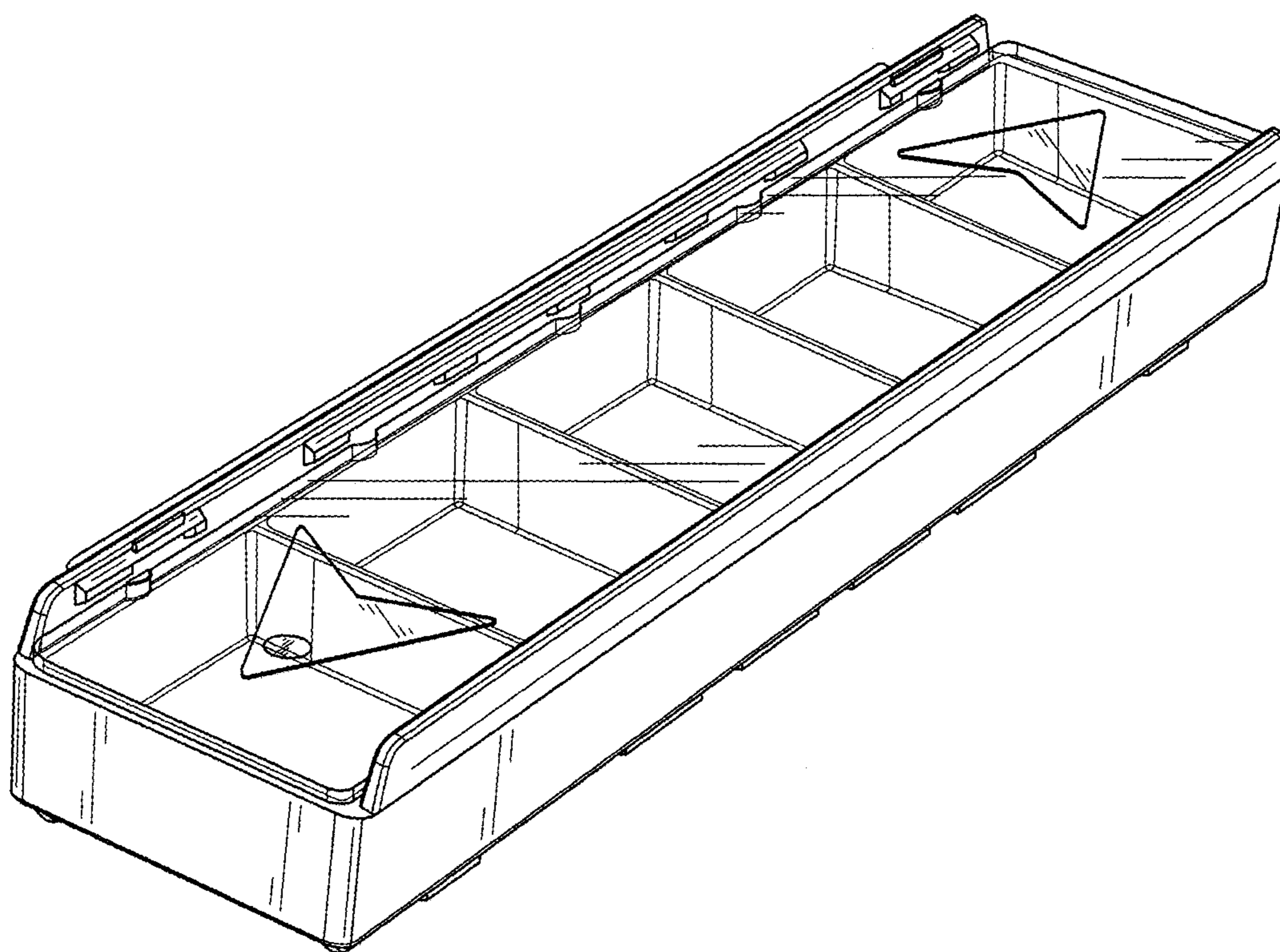


FIG. 10

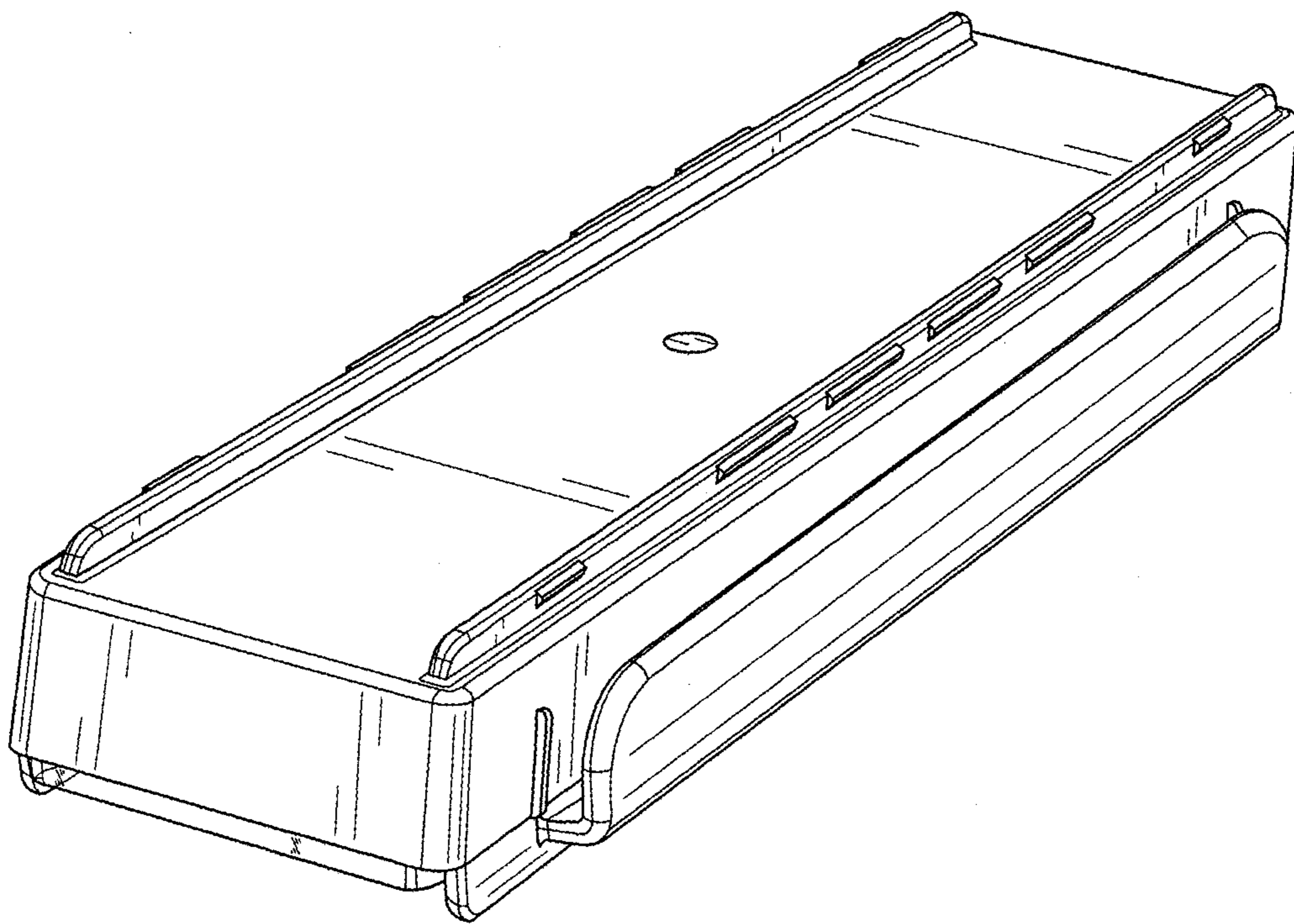


FIG. 11

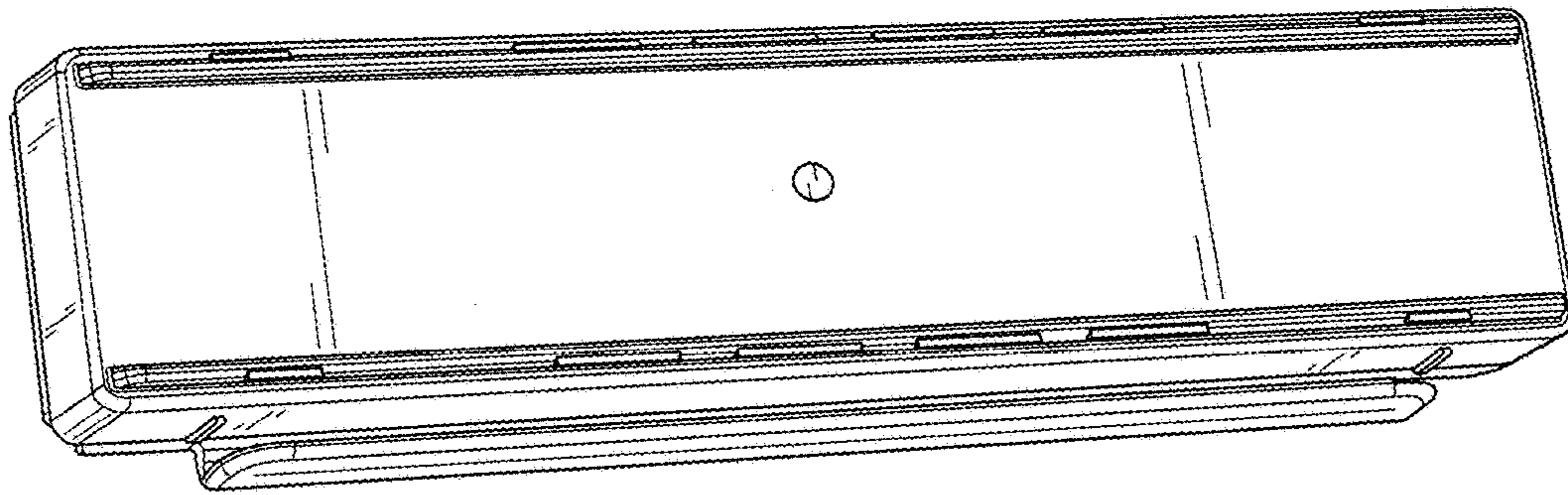


FIG. 12

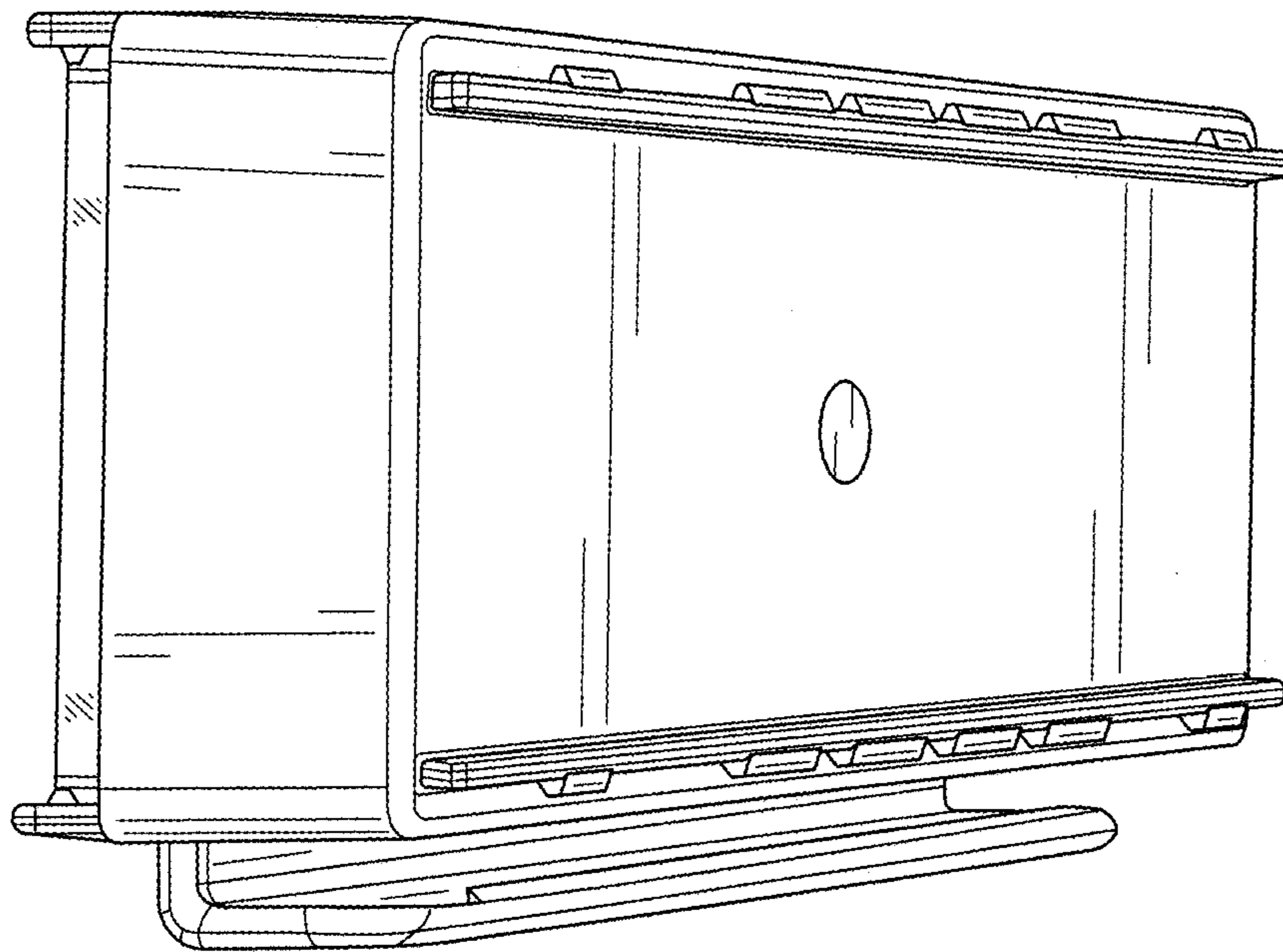


FIG. 13

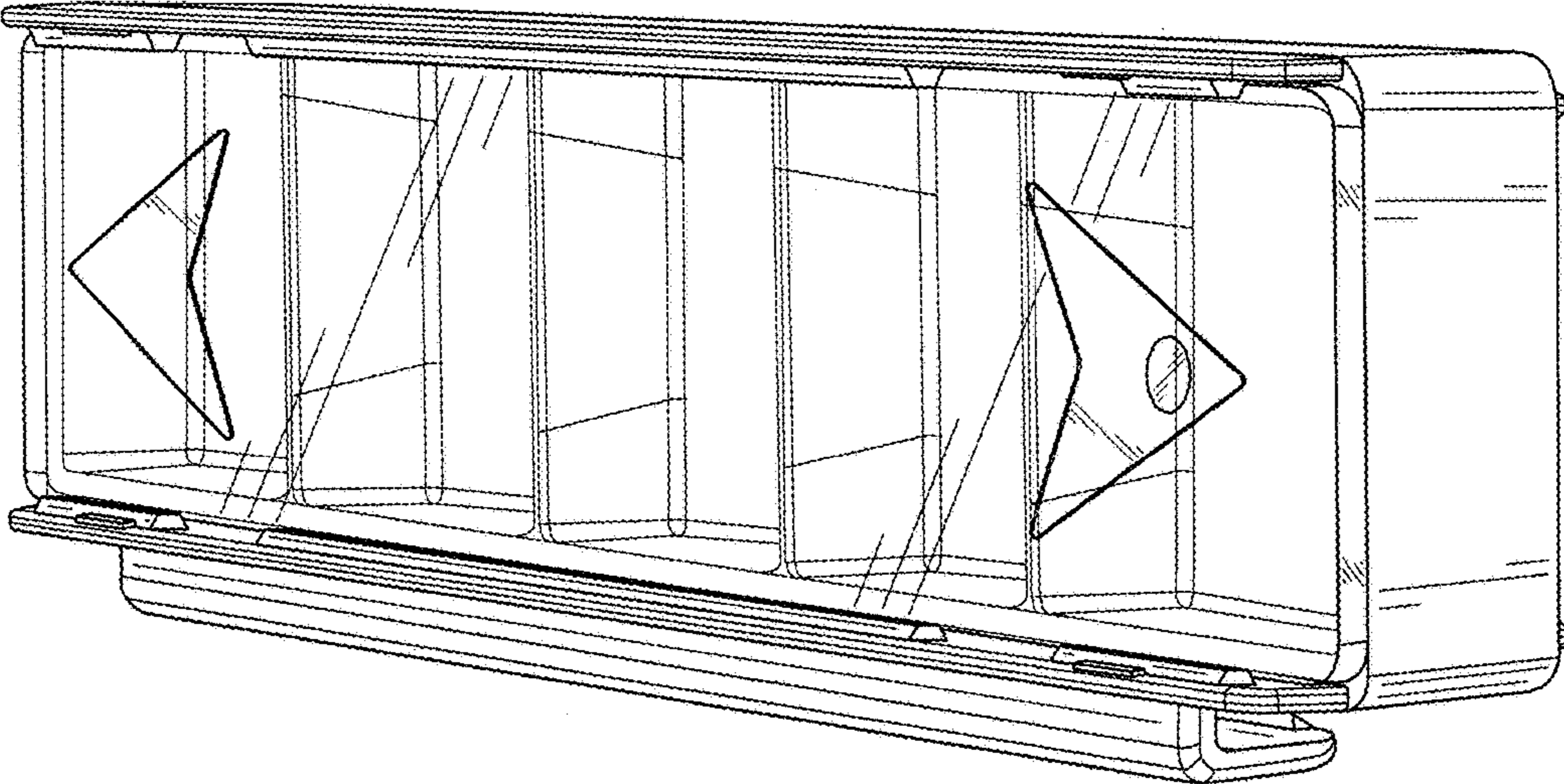


FIG. 14