

US00D824250S

(12) **United States Design Patent**  
**Struggl**

(10) **Patent No.:** **US D824,250 S**

(45) **Date of Patent:** **\*\* Jul. 31, 2018**

(54) **COFFEE PACKAGING**

(71) Applicant: **ASCENDO MEDIENAGENTUR AG,**  
Gambrin-Bendern (LI)

(72) Inventor: **Ewald Struggl,** Mauren (LI)

(73) Assignee: **ASCENDO MEDIENAGENTUR AG,**  
Gambrin-Bendern (LI)

(\*\*) Term: **15 Years**

(21) Appl. No.: **29/582,598**

(22) Filed: **Oct. 28, 2016**

(30) **Foreign Application Priority Data**

Apr. 29, 2016 (EM) ..... 003101146

(51) **LOC (11) Cl.** ..... **09-03**

(52) **U.S. Cl.**  
USPC ..... **D9/430**

(58) **Field of Classification Search**

USPC ..... D9/414-419, 420-423, 430-434,  
D9/720-722, 733, 734, 737, 761;  
D3/290, 304, 305, 315

CPC ..... B65D 5/00; B65D 5/0015; B65D 5/061;  
B65D 5/18; B65D 5/20; B65D 5/32;  
B65D 5/321; B65D 5/322

See application file for complete search history.

(56) **References Cited**

**U.S. PATENT DOCUMENTS**

D244,993 S \* 7/1977 Drysdale ..... D9/432  
D395,600 S \* 6/1998 Borghorst ..... D9/432

D521,373 S \* 5/2006 Stanton ..... D9/430  
D589,343 S \* 3/2009 Bohache ..... D9/430  
D589,791 S \* 4/2009 Kalberer ..... D9/432  
D646,582 S \* 10/2011 Ren ..... D9/432  
D657,239 S \* 4/2012 Gavrilencov ..... D9/432  
D682,684 S \* 5/2013 Walter ..... D9/434  
D691,471 S \* 10/2013 Walter ..... D9/434  
D721,576 S \* 1/2015 De Pietri Tonelli ..... D9/431  
D728,364 S \* 5/2015 Baker ..... D9/432  
2008/0296359 A1 \* 12/2008 Kortsmid ..... B65D 5/067  
229/136  
2009/0242435 A1 \* 10/2009 Van Rijssel ..... B65D 5/029  
206/273

\* cited by examiner

*Primary Examiner* — Vy N Koenig

(74) *Attorney, Agent, or Firm* — McGlew and Tuttle, P.C.

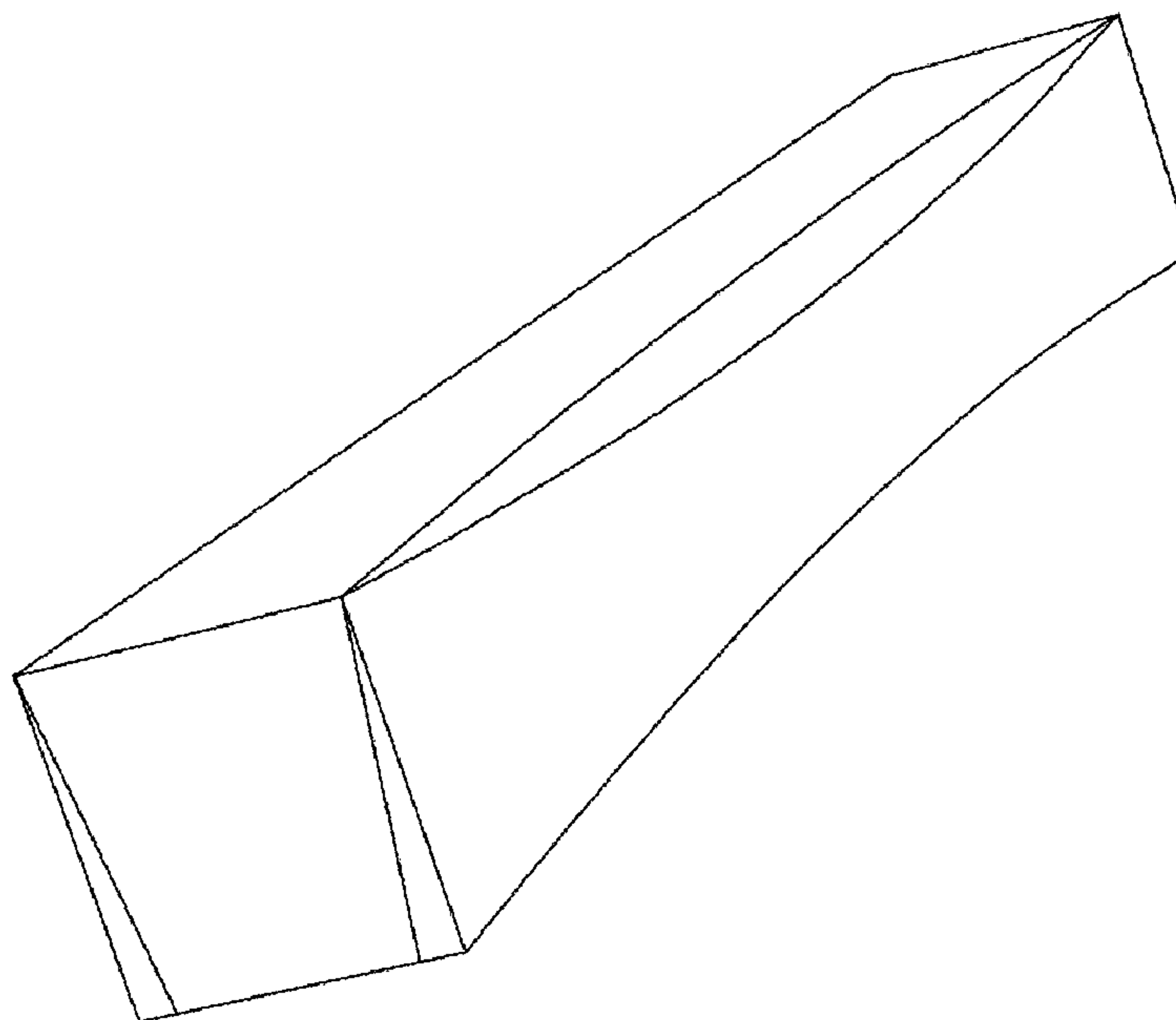
(57) **CLAIM**

The ornamental design for a coffee packaging, as shown and described.

**DESCRIPTION**

FIG. 1 is top, right and front perspective view of the coffee packaging design;  
FIG. 2 is a bottom, left and front perspective view thereof;  
FIG. 3 is a front end view thereof, the rear end view being essentially the same;  
FIG. 4 is a top view thereof;  
FIG. 5 is a right side view thereof;  
FIG. 6 is a left side view thereof; and,  
FIG. 7 is a bottom view thereof.

**1 Claim, 7 Drawing Sheets**



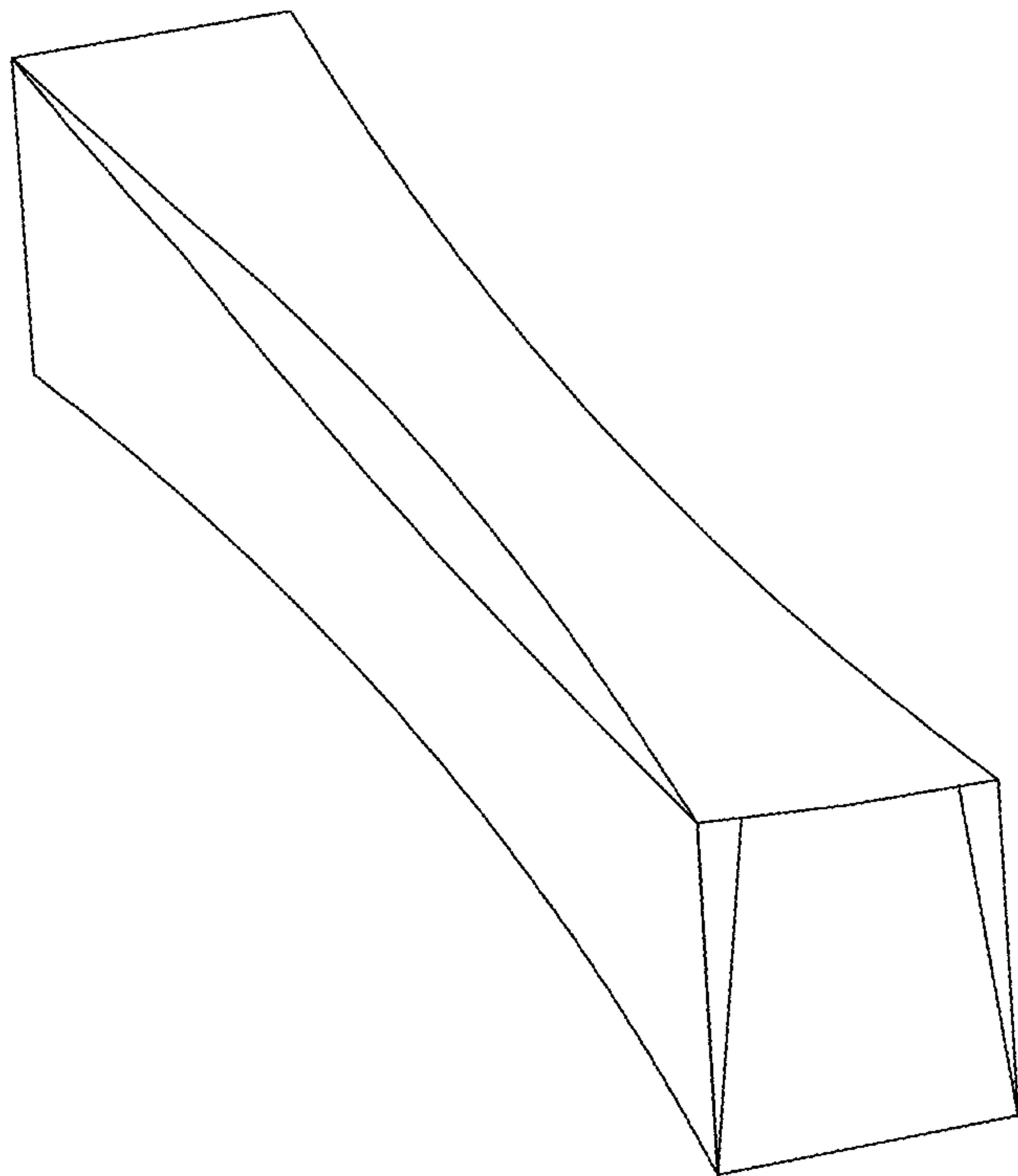


Fig. 1

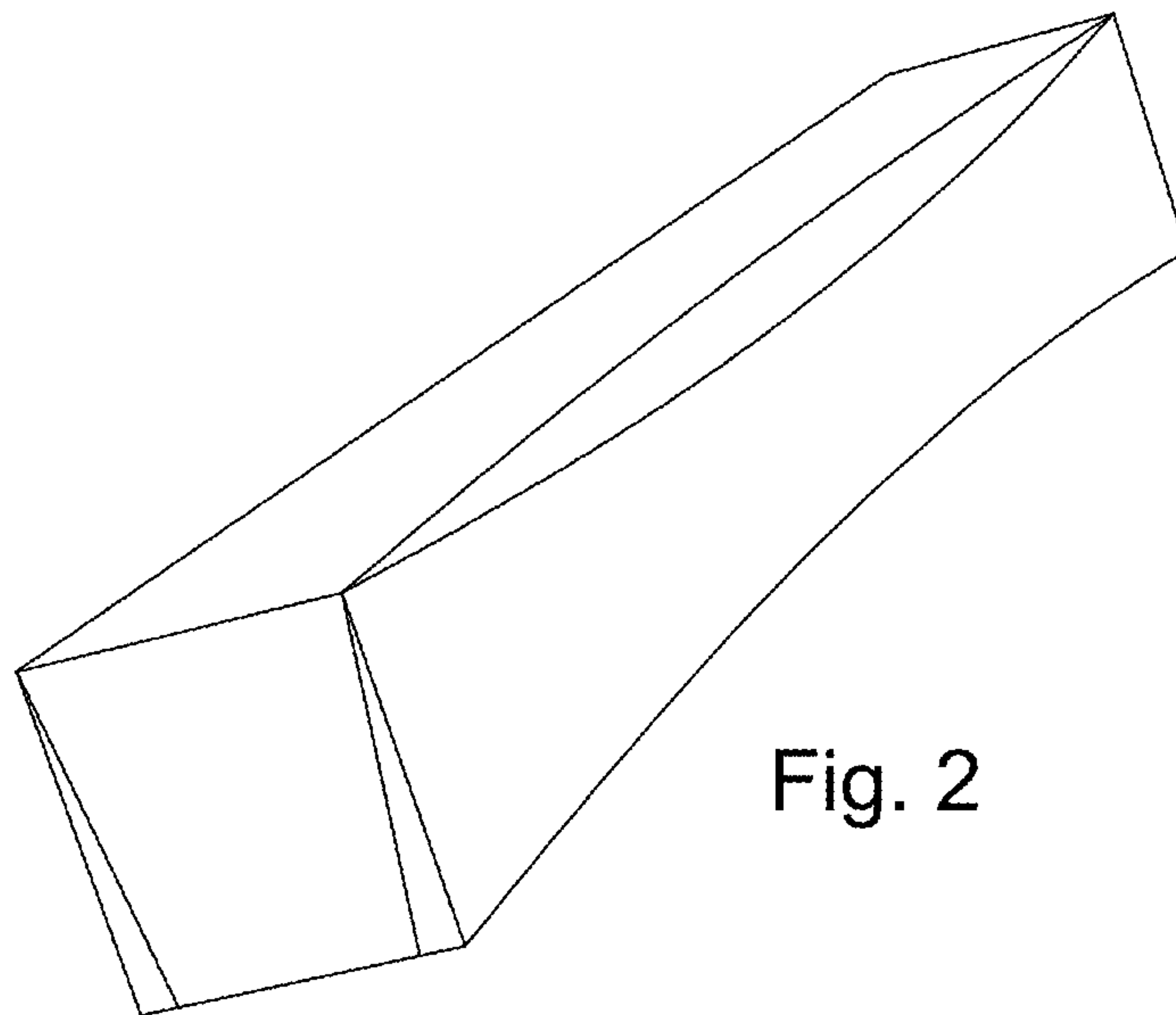


Fig. 2

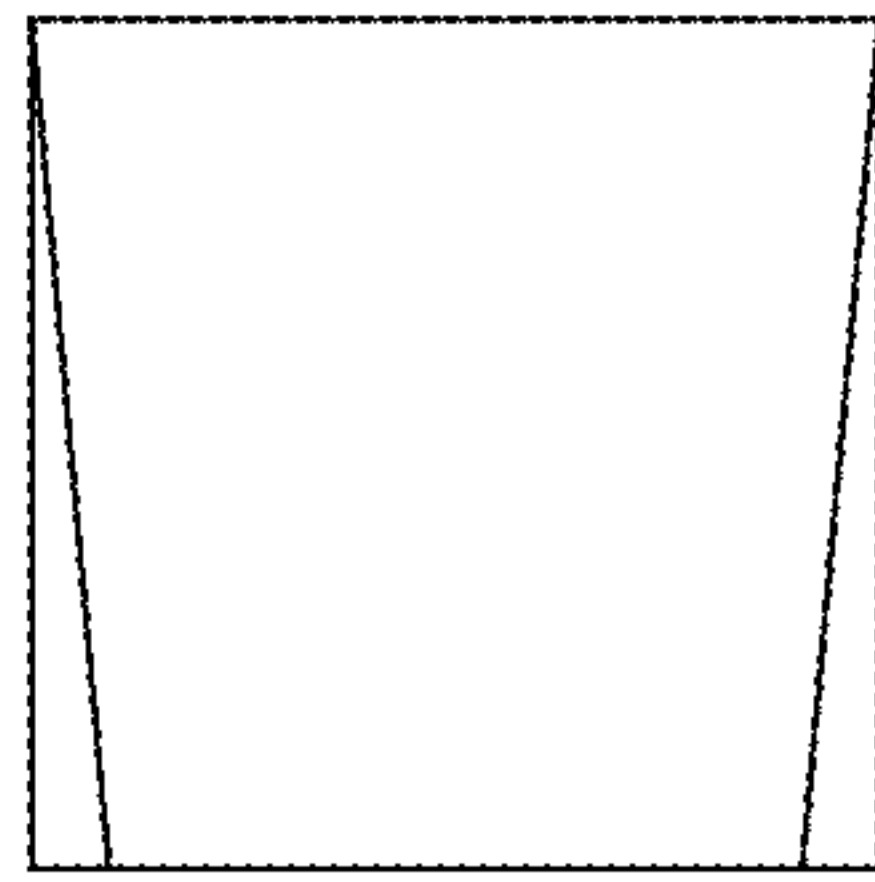


Fig. 3

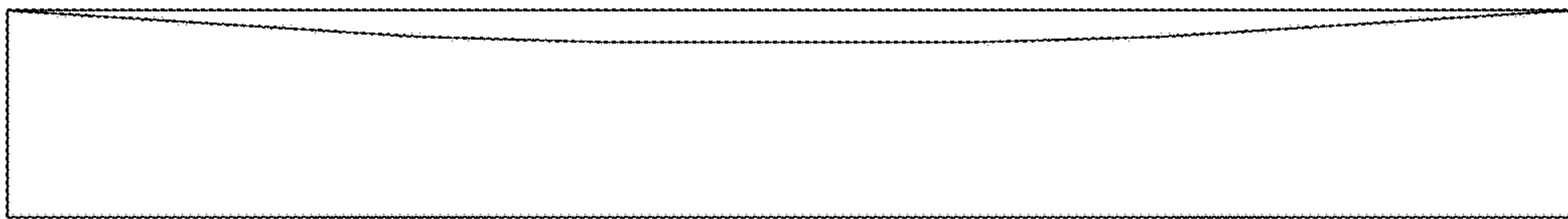


Fig. 4

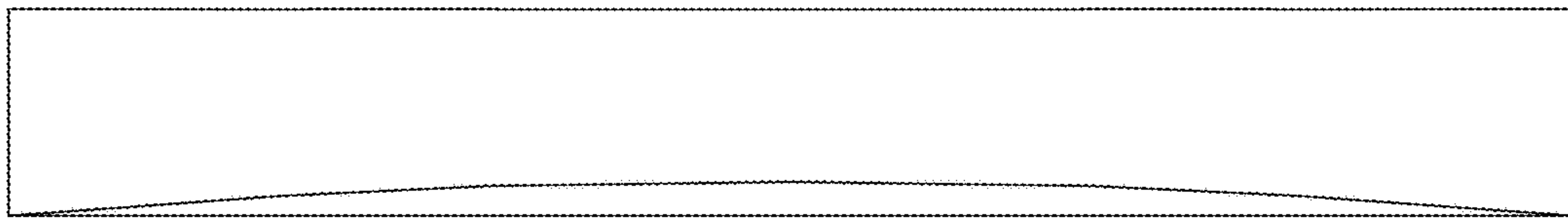


Fig. 5

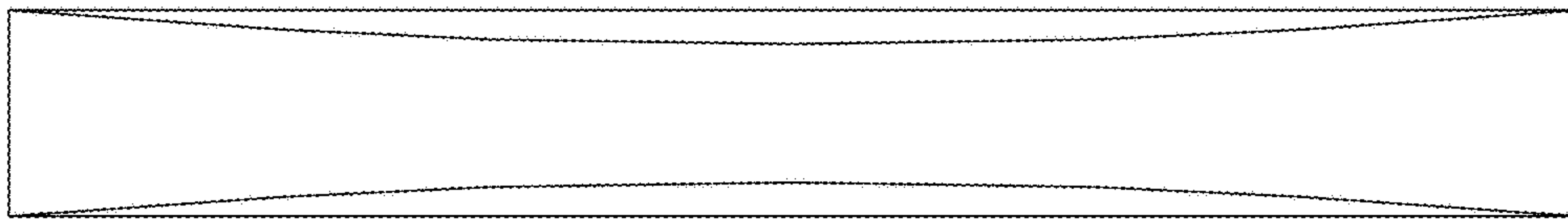


Fig. 6

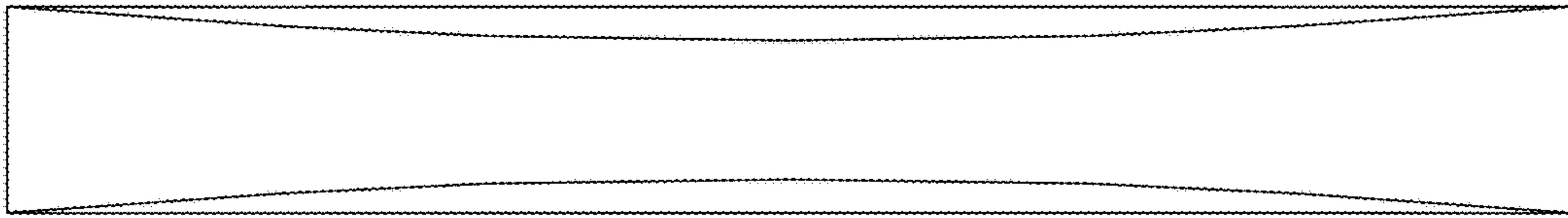


Fig. 7