



US00D824249S

(12) **United States Design Patent**
Mei

(10) **Patent No.:** **US D824,249 S**

(45) **Date of Patent:** **** Jul. 31, 2018**

- (54) **LUNCH BOX**
- (71) Applicant: **TAISHAN RUNCHENG PLASTICS CO., LTD**, Taishan (CN)
- (72) Inventor: **Jingjian Mei**, Taishan (CN)
- (73) Assignee: **TAISHAN RUNCHENG PLASTICS CO., LTD** (CN)

(**) Term: **15 Years**

(21) Appl. No.: **29/580,685**

(22) Filed: **Oct. 12, 2016**

(51) **LOC (11) Cl.** **09-03**

(52) **U.S. Cl.**
USPC **D9/426; D9/423**

(58) **Field of Classification Search**
USPC D9/414, 420, 423, 424, 425–429, 432; D7/629, 630, 641
CPC B65D 2543/00296; B65D 81/3453; B65D 43/162; B65D 2543/00101; B65D 2543/00194; B65D 1/0207; B65D 43/02; B65D 2543/00648; B65D 1/40; B65D 2301/20; B65D 2543/00759; B65D 25/54; B65D 21/0222; B65D 2543/00203; B65D 2543/00425; B65D 43/169; B65D 2501/0036; B65D 11/20; B65D 2519/00034; B65D 2519/00069; B65D 2519/00139; B65D 2519/00268; B65D 2519/00288; B65D 2519/00318; B65D 5/68; B65D 75/522

See application file for complete search history.

(56) **References Cited**

U.S. PATENT DOCUMENTS

- 5,515,993 A * 5/1996 McManus B65D 43/162 206/508
- D407,015 S * 3/1999 Jones D9/425

- 6,639,199 B1 * 10/2003 Ross, Jr. A47J 36/027 219/732
- D625,180 S * 10/2010 Enriquez D9/425
- D668,537 S * 10/2012 Sanfilippo D9/423
- D681,447 S * 5/2013 Schulter D9/420
- D681,451 S * 5/2013 Kui D9/432
- D694,618 S * 12/2013 Pham D9/426
- D749,412 S * 2/2016 Hu D9/426
- D752,430 S * 3/2016 Stevenson D9/425
- D792,160 S * 7/2017 Ng D7/538
- 2005/0247709 A1 * 11/2005 Atkins B65D 1/36 220/4.23

(Continued)

Primary Examiner — Lauren R Calve

(74) *Attorney, Agent, or Firm* — Schmeiser, Olsen & Watts, LLP

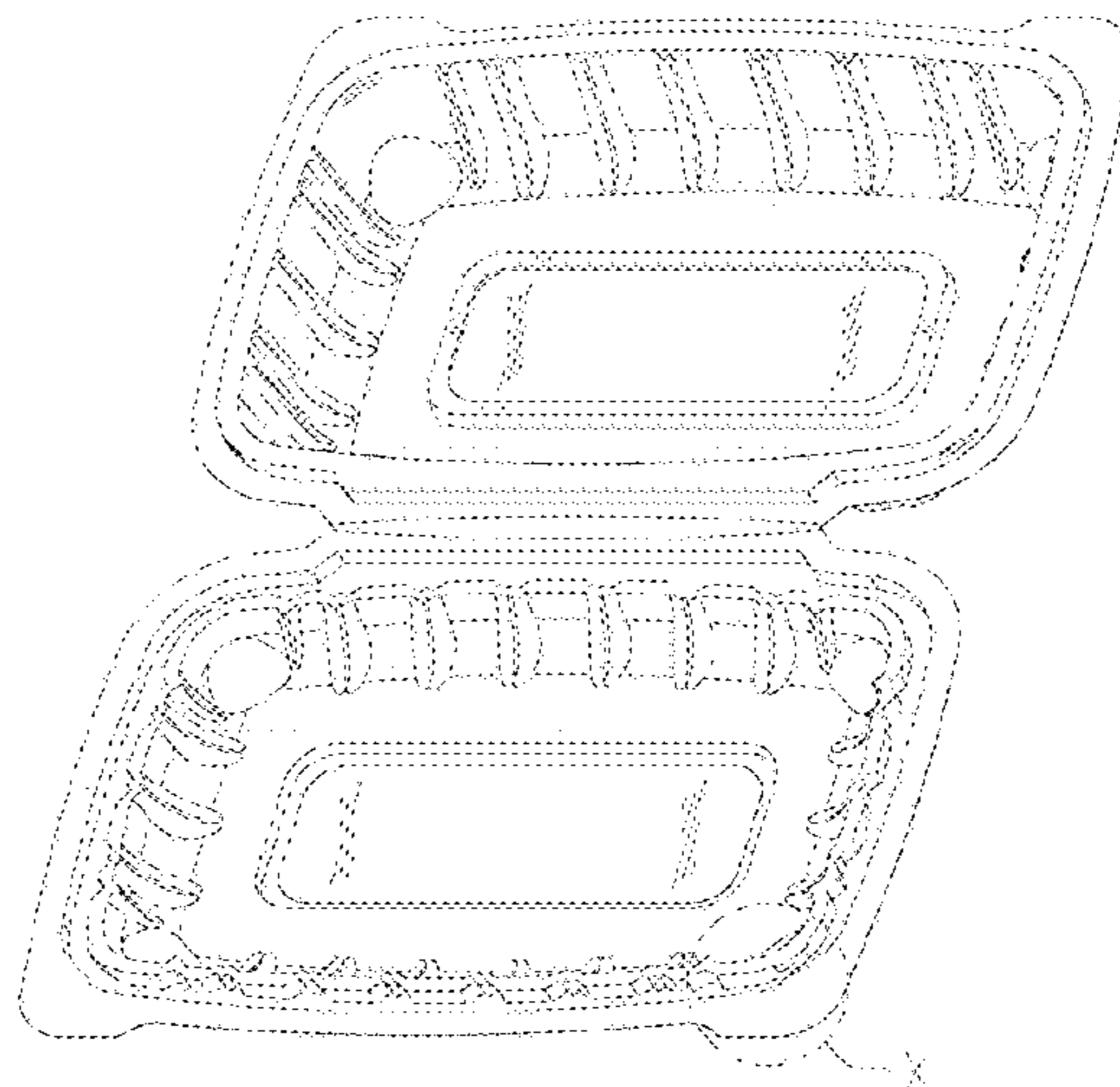
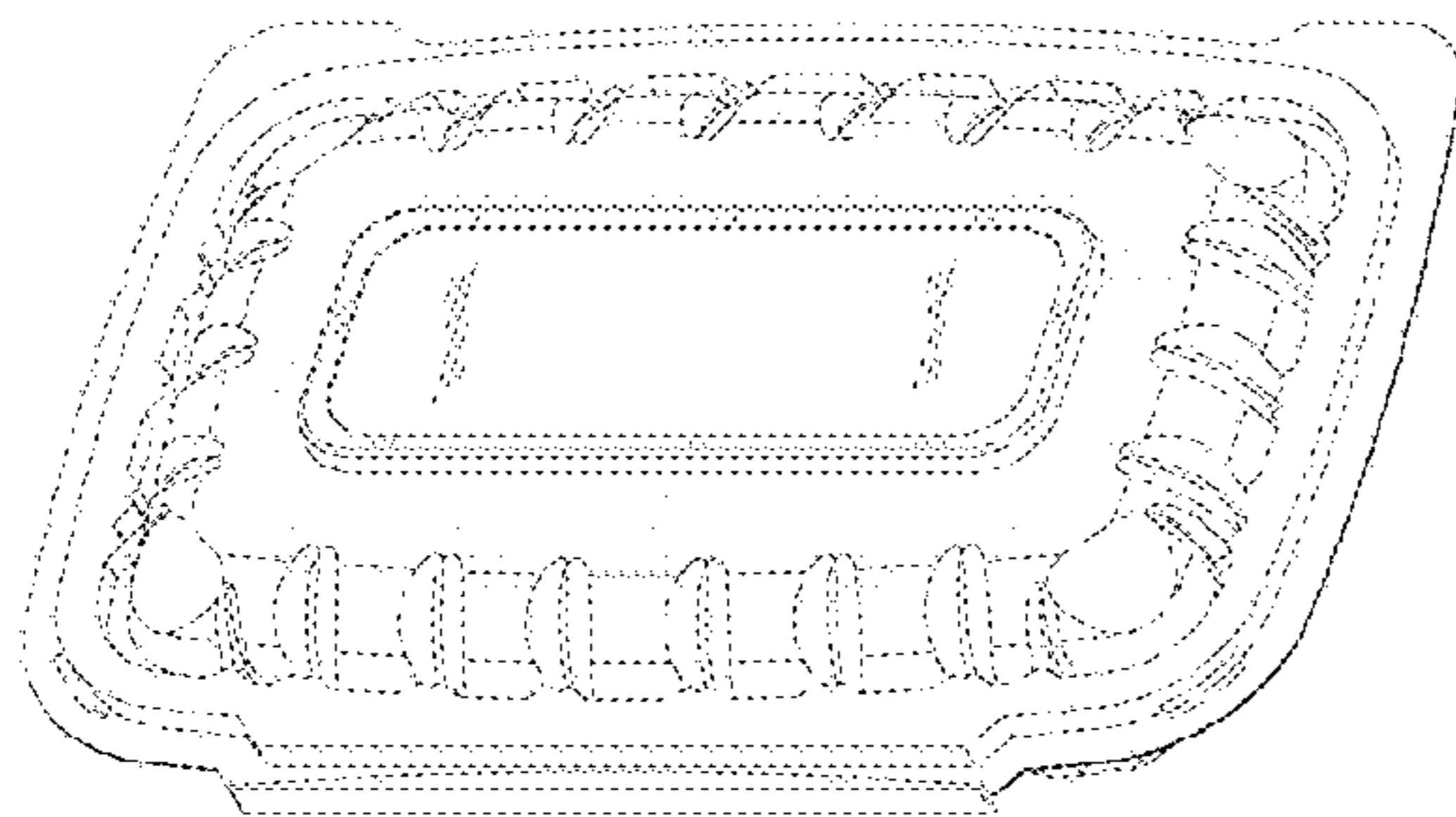
(57) **CLAIM**

The ornamental design for a lunch box, as shown and described.

DESCRIPTION

FIG. 1 is a top back perspective view of a lunch box showing my new design;
 FIG. 2 is a top view thereof;
 FIG. 3 is a bottom view thereof;
 FIG. 4 is a side view thereof, the other side view being a mirror image thereof;
 FIG. 5 is a back view thereof;
 FIG. 6 is a front view thereof;
 FIG. 7 is a bottom front perspective view thereof;
 FIG. 8 is a top perspective view of FIG. 1 shown in an opened configuration;
 FIG. 9 is a partial enlarged view according to broken circle “IX” in FIG. 3; and,
 FIG. 10 is a second partial enlarged view according to broken circle “X” in FIG. 8.
 The broken circle shown in FIGS. 3 and 8 represent the partial enlarged views and form no part of the claimed design.

1 Claim, 10 Drawing Sheets



(56)

References Cited

U.S. PATENT DOCUMENTS

2009/0223966 A1* 9/2009 Kidd B65D 75/22
220/324
2010/0320210 A1* 12/2010 Cimmerer B65D 51/1616
220/367.1
2011/0036842 A1* 2/2011 Sellari B65D 43/162
220/315
2015/0069064 A1* 3/2015 Johnson B65D 43/162
220/324
2016/0176573 A1* 6/2016 Baum B65D 43/162
206/508
2017/0166363 A1* 6/2017 Ng B65D 43/162

* cited by examiner

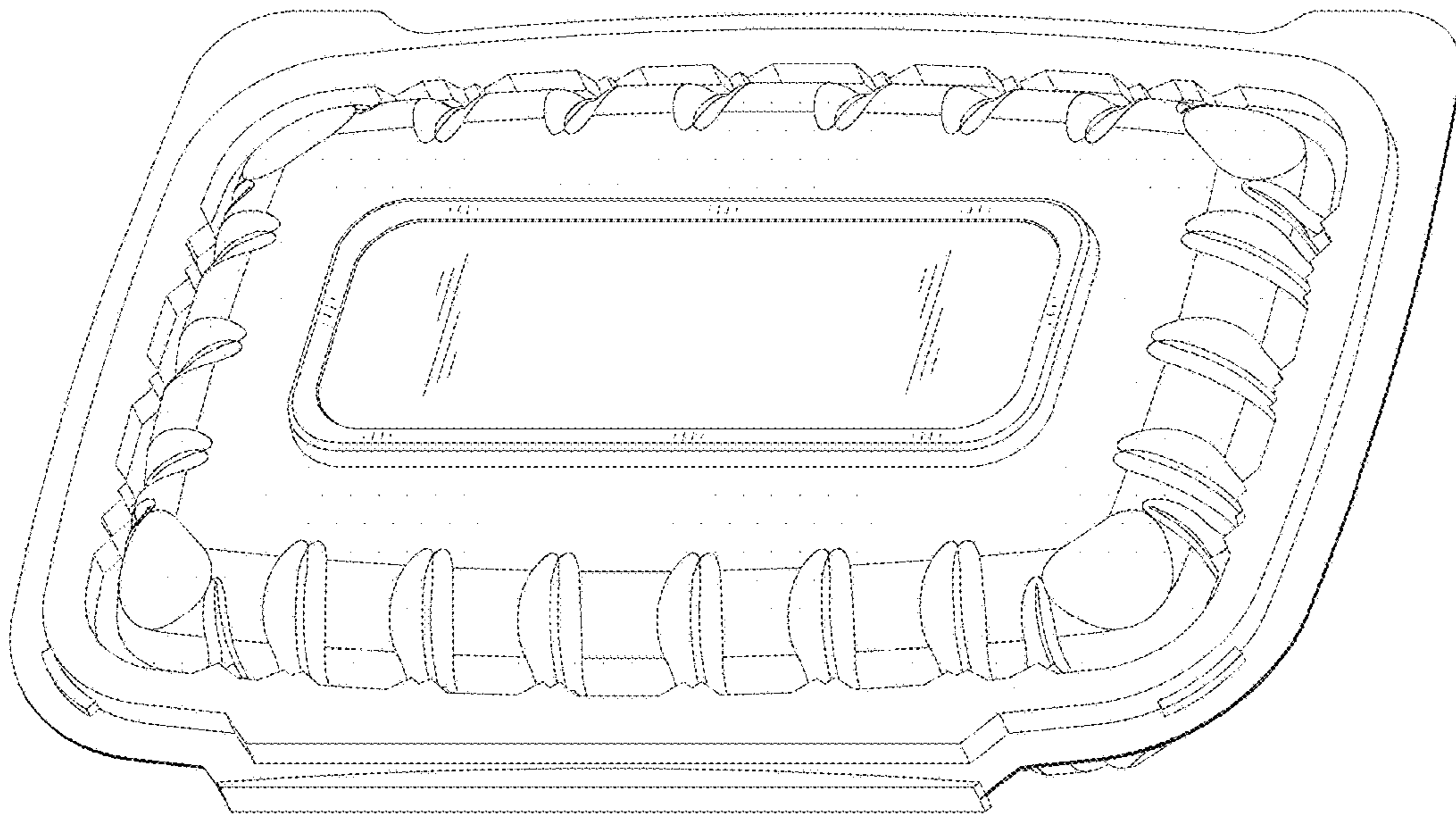


FIG. 1

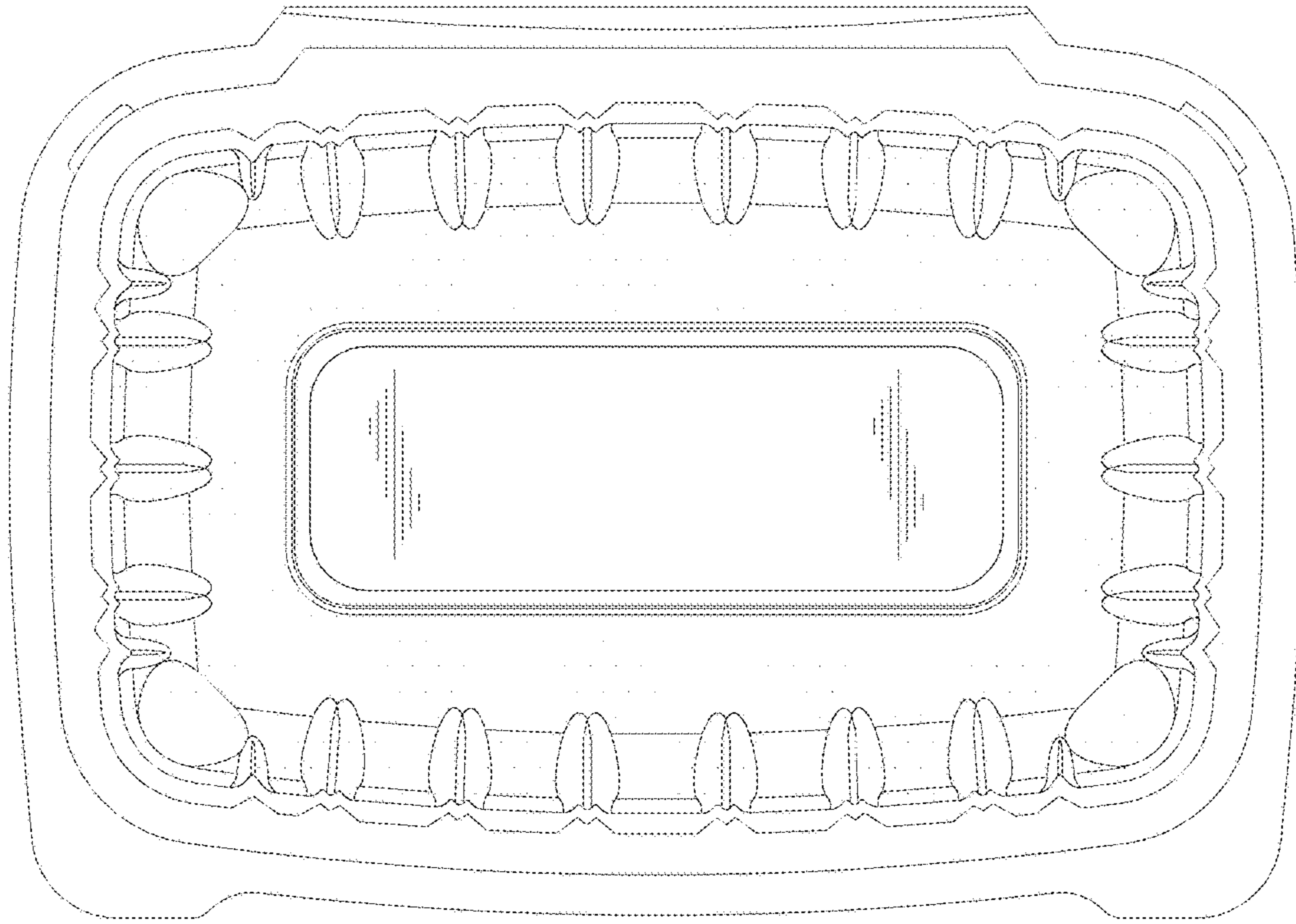


FIG. 2

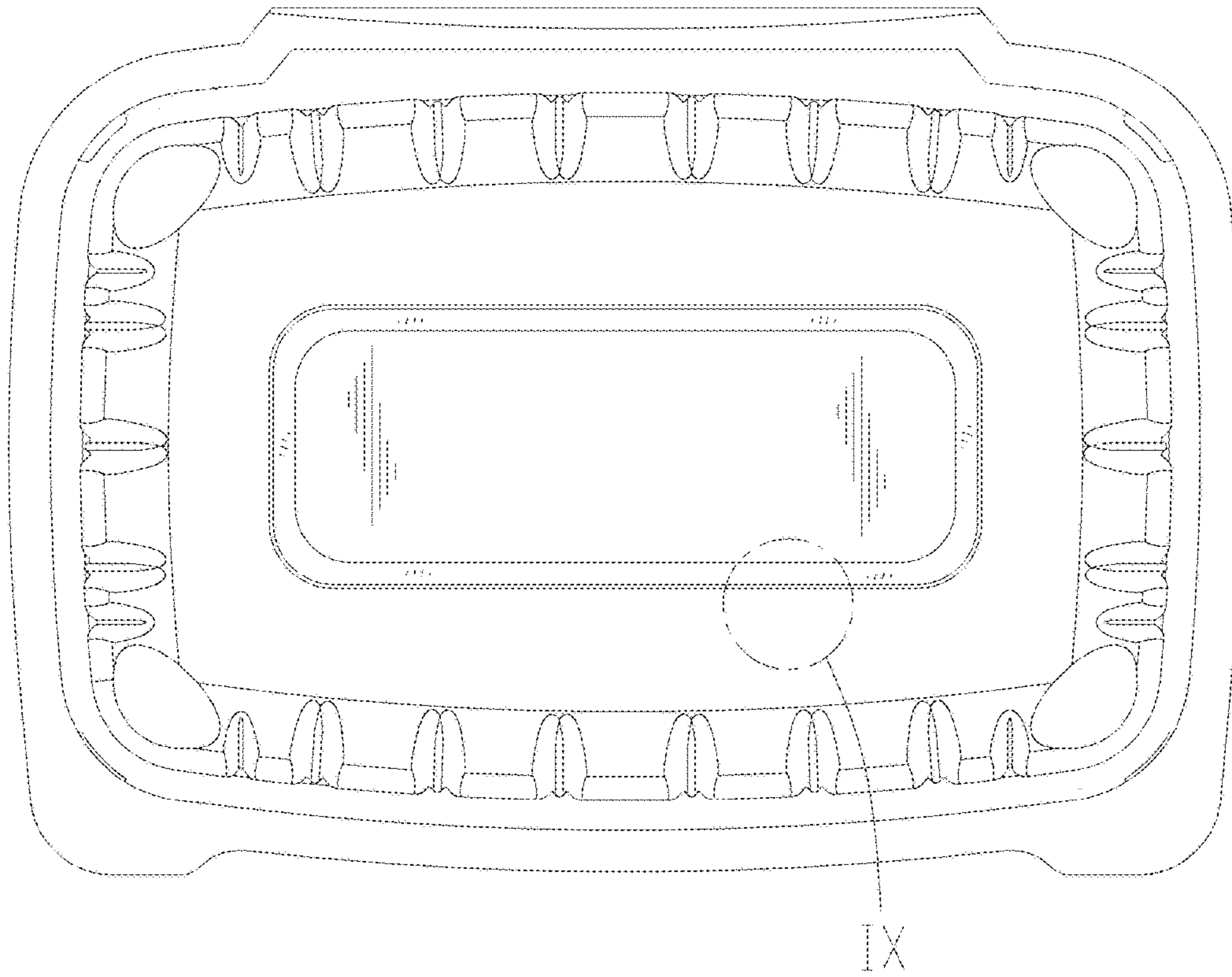


FIG. 3

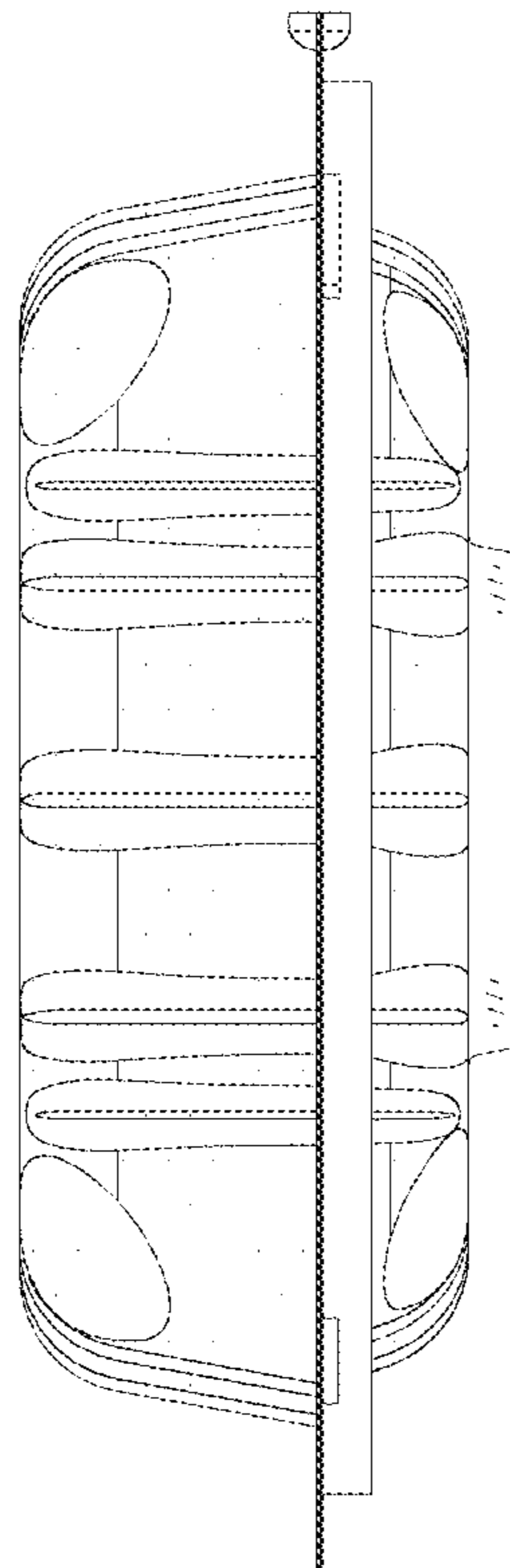


FIG. 4

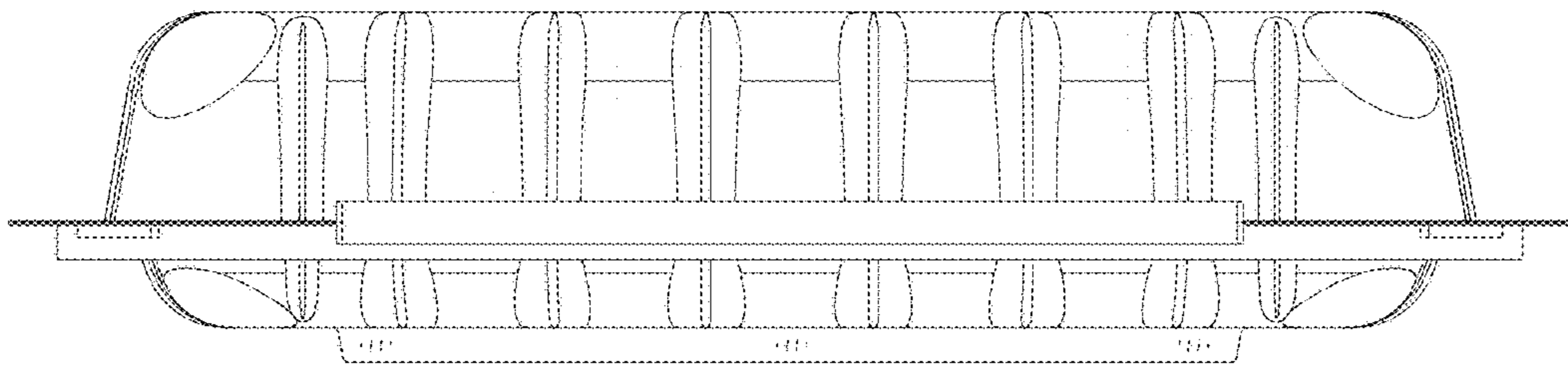


FIG. 5

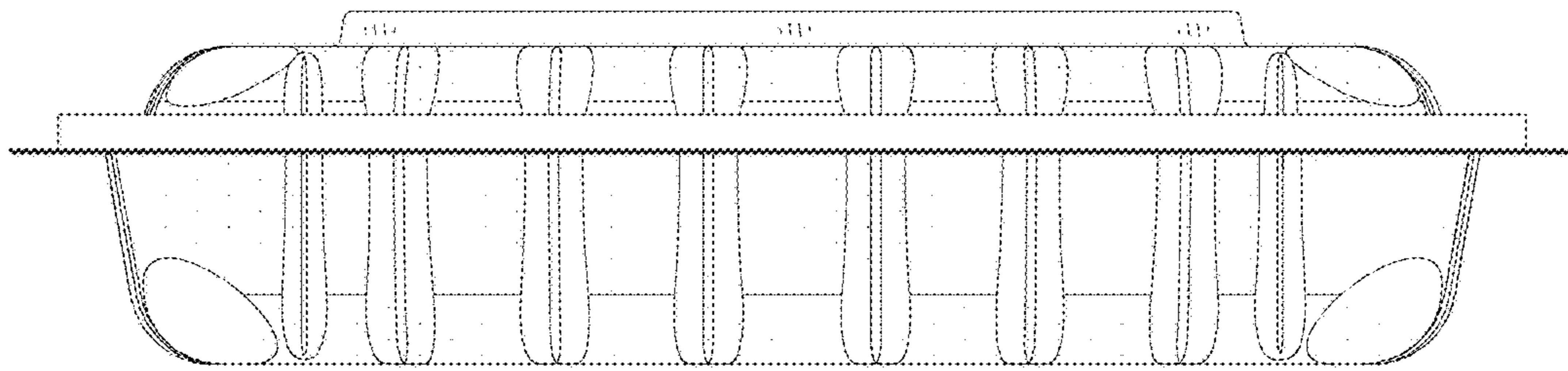


FIG. 6

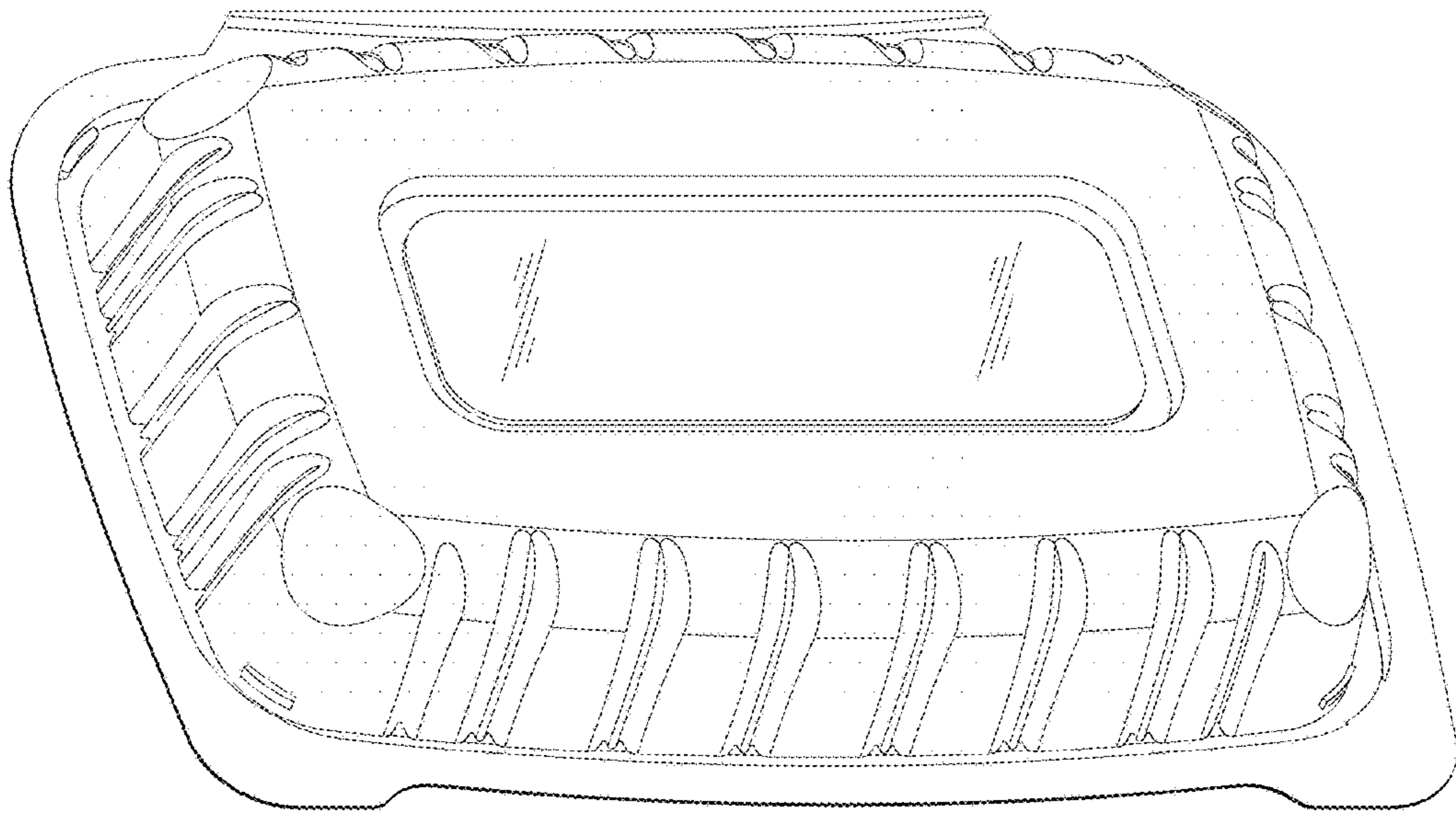


FIG. 7

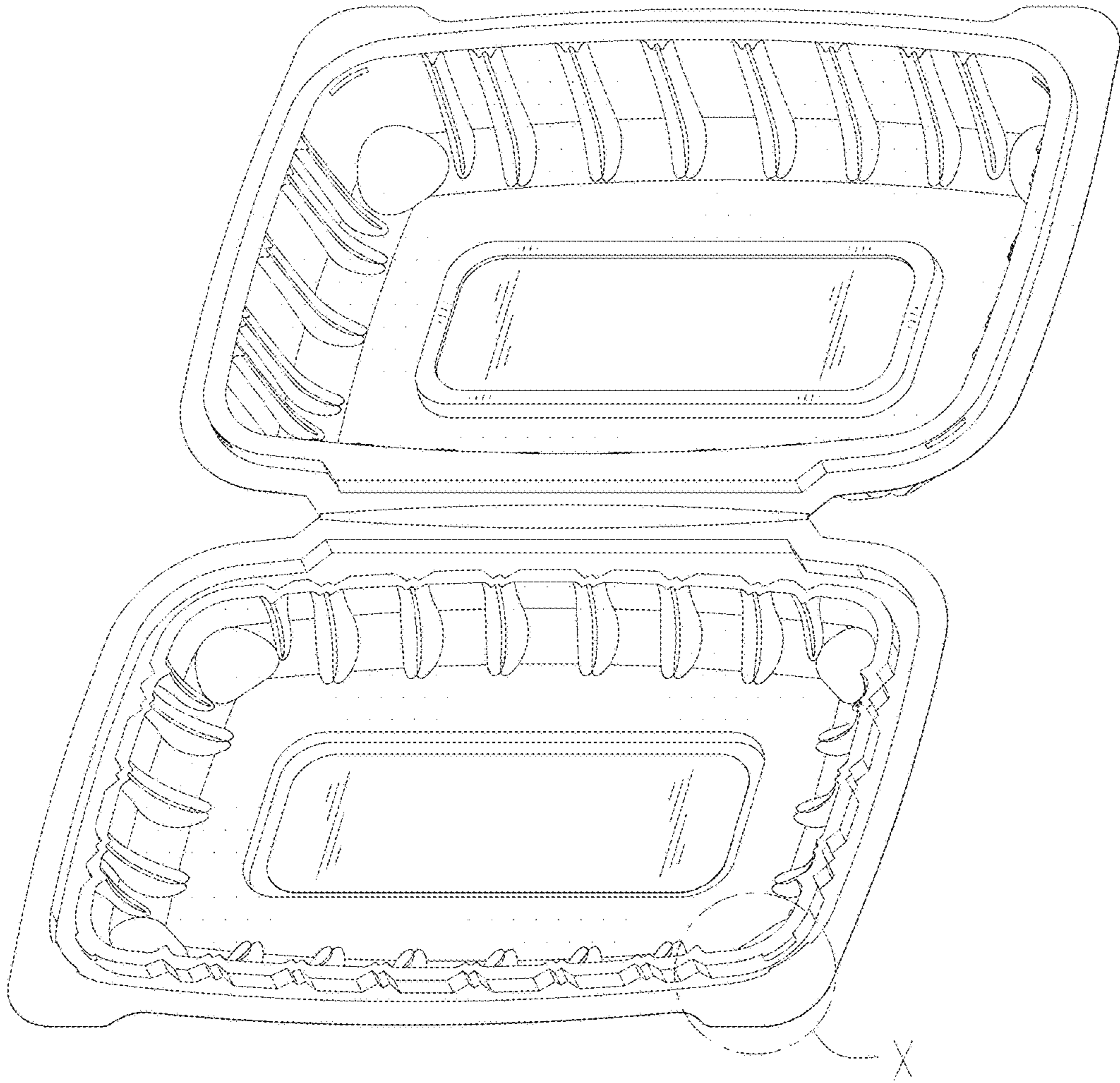


FIG. 8

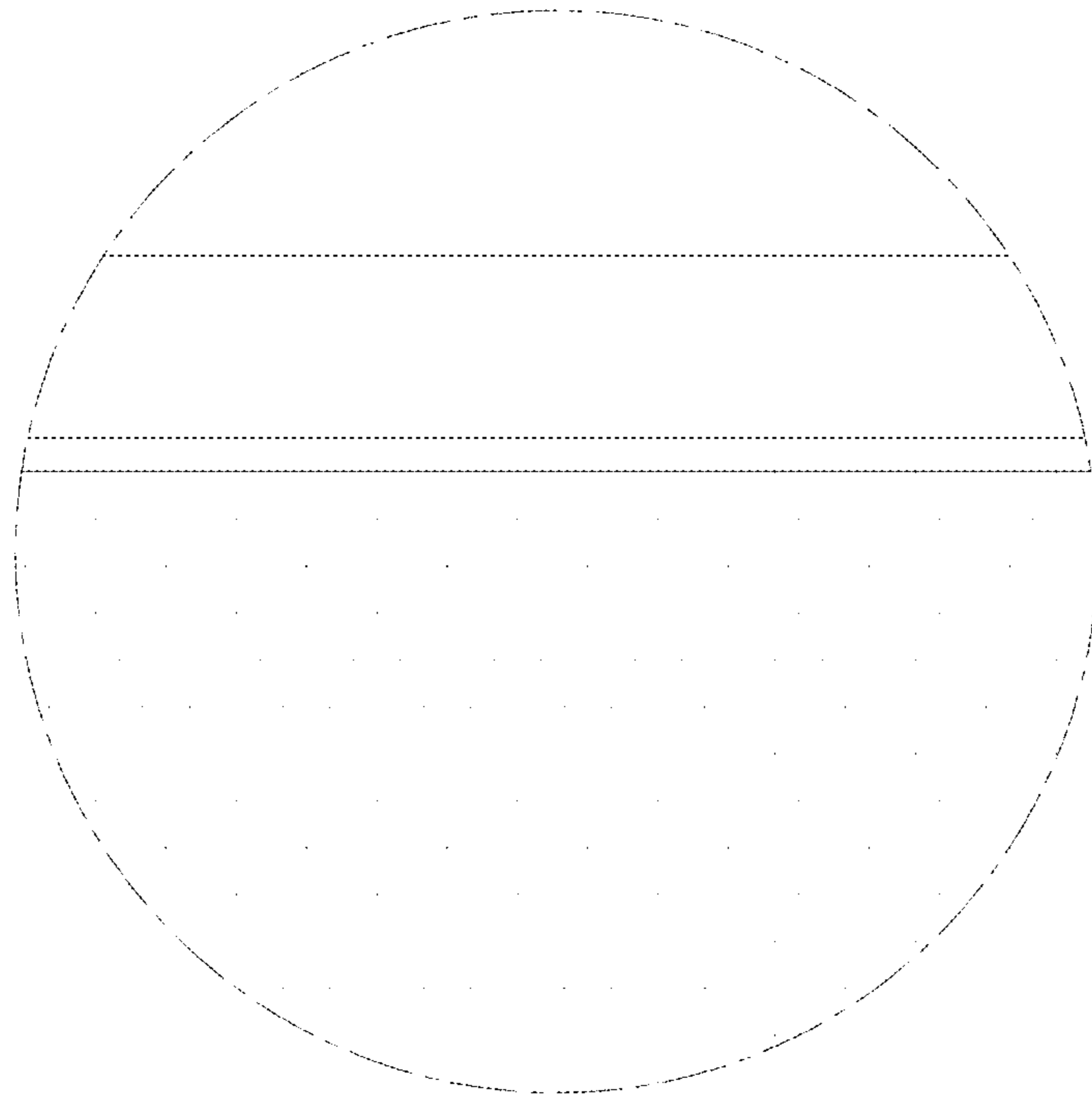


FIG. 9

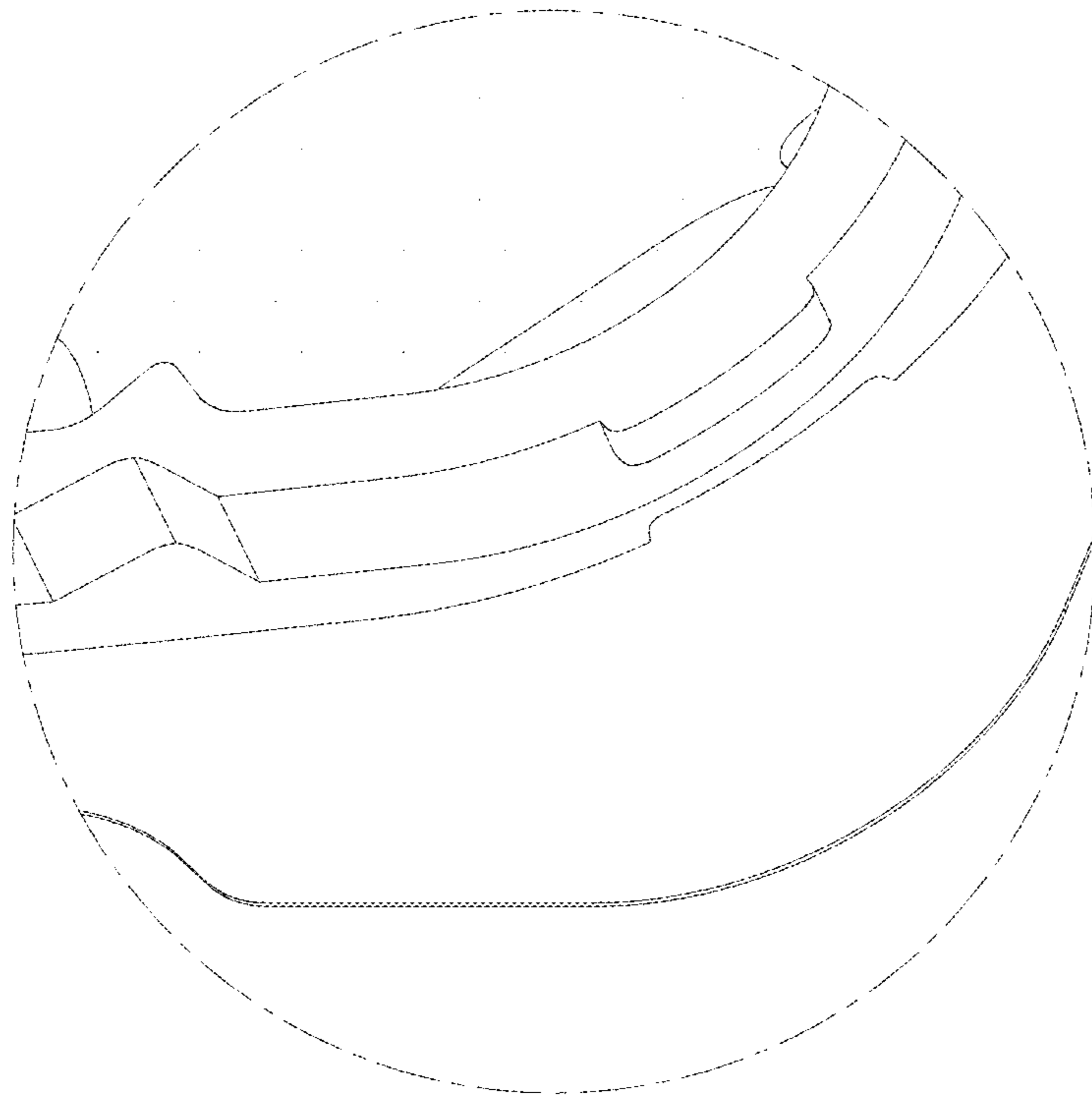


FIG. 10