

US00D824247S

(12) **United States Design Patent** (10) **Patent No.:** **US D824,247 S**  
**Minai** (45) **Date of Patent:** **\*\* Jul. 31, 2018**

(54) **HOSE CLAMP**

D371,508 S \* 7/1996 Sagol ..... D8/396  
D375,453 S \* 11/1996 Fleck ..... D8/395  
5,996,186 A \* 12/1999 Yamada ..... F16L 33/03  
24/20 EE

(71) Applicant: **PIOLAX, INC.**, Yokohama-shi (JP)

(72) Inventor: **Kyohei Minai**, Yokohama (JP)

(Continued)

(73) Assignee: **PIOLAX, INC.**, Yokohama-Shi,  
Kanagawa (JP)

**FOREIGN PATENT DOCUMENTS**

JP D1574150 \* 4/2017

(\*\*) Term: **15 Years**

(21) Appl. No.: **29/592,137**

(22) Filed: **Jan. 27, 2017**

(30) **Foreign Application Priority Data**

Jul. 28, 2016 (JP) ..... 2016-016113

(51) **LOC (11) Cl.** ..... **08-08**

(52) **U.S. Cl.**  
USPC ..... **D8/396**

(58) **Field of Classification Search**  
USPC ..... D6/546; D8/394-396; D11/222, 26, 28  
CPC ..... A47G 1/17; A47F 7/14; A63B 57/60  
See application file for complete search history.

(56) **References Cited**

**U.S. PATENT DOCUMENTS**

1,669,934 A \* 5/1928 Goldwyn ..... F16L 3/12  
24/1  
D181,851 S \* 1/1958 Hendrickson ..... D11/26  
3,313,009 A \* 4/1967 Beckerer ..... F16L 3/13  
248/74.2  
3,712,271 A \* 1/1973 Greathouse ..... A61N 5/06  
119/770  
3,846,918 A \* 11/1974 Wehlau ..... A63B 69/36  
33/262  
D295,725 S \* 5/1988 Shioda ..... D8/380  
5,193,360 A \* 3/1993 Lovegrove ..... A44C 9/0069  
40/639  
D351,336 S \* 10/1994 Dean ..... D8/382  
5,354,021 A \* 10/1994 Farrell ..... F16L 3/233  
24/16 PB

**OTHER PUBLICATIONS**

Clamps : Customparts Holland a online webshop for Custom  
builders, website 2018, [http://www.customparts.nl/index.php?main\\_page=index&cPath=104\\_106](http://www.customparts.nl/index.php?main_page=index&cPath=104_106), site visited Mar. 20, 2018  
(Year: 2018).\*

*Primary Examiner* — John Windmuller

*Assistant Examiner* — John R Yeh

(74) *Attorney, Agent, or Firm* — McGinn IP Law Group,  
PLLC

(57) **CLAIM**

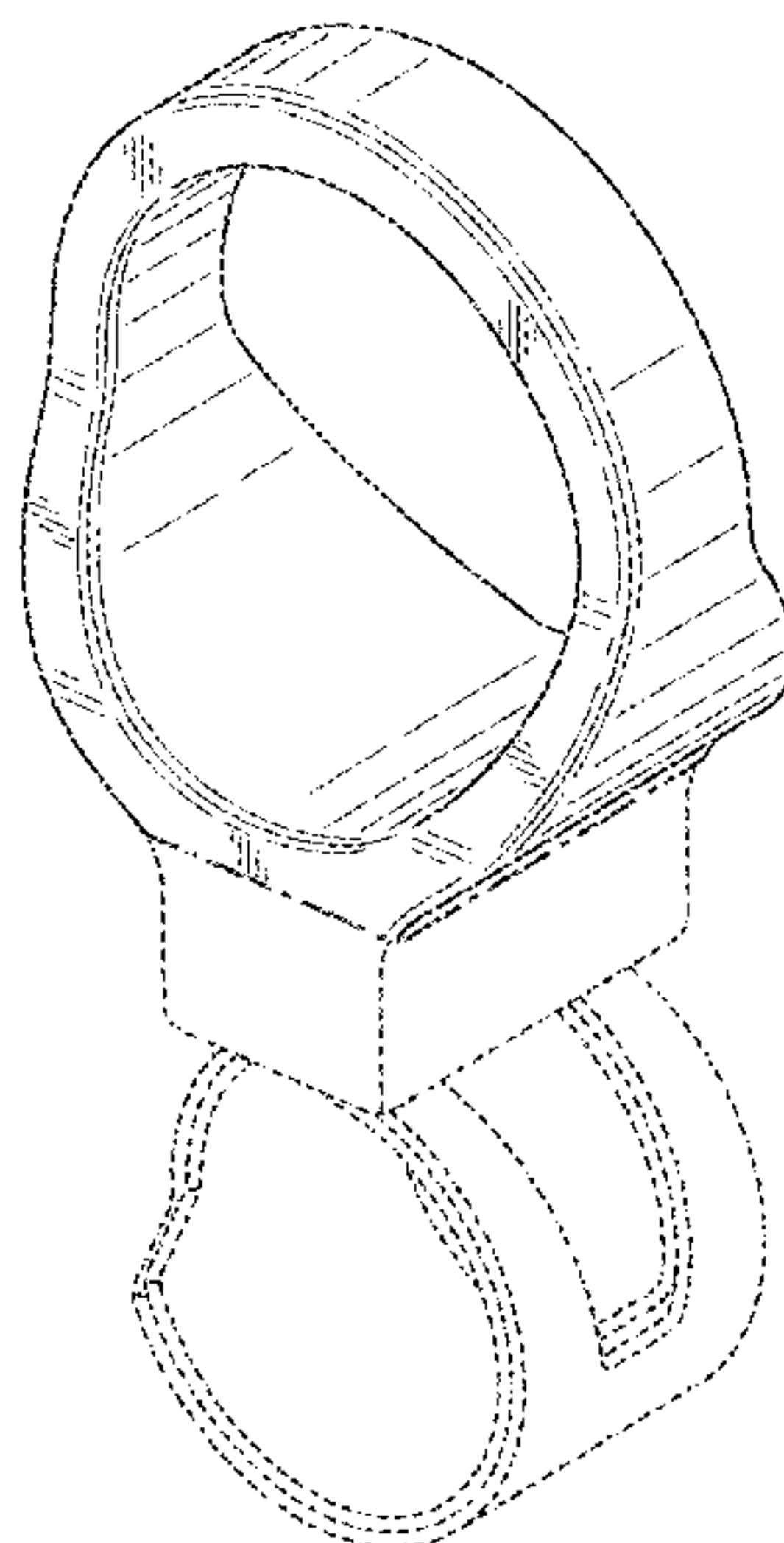
The ornamental design for hose clamp, as shown and  
described.

**DESCRIPTION**

FIG. 1 is a perspective view of a hose clamp showing my  
new design;  
FIG. 2 is a front view thereof;  
FIG. 3 is a rear view thereof;  
FIG. 4 is a left side view thereof;  
FIG. 5 is a right side view thereof;  
FIG. 6 is a top view thereof; and,  
FIG. 7 is a bottom view thereof.

The broken lines in the figures are included for the purpose  
of illustrating the unclaimed portions of the hose clamp and  
form no part of the claimed design. The dot-dash lines define  
the bounds of the claimed design and form no part thereof.

**1 Claim, 4 Drawing Sheets**



(56)

**References Cited**

U.S. PATENT DOCUMENTS

6,098,251	A *	8/2000	Zielinski .....	F16L 33/03 24/20 EE
D476,569	S *	7/2003	Simkins .....	D9/455
6,892,594	B2 *	5/2005	Buck .....	F16L 3/1008 174/535
D523,770	S *	6/2006	Arlanda .....	D11/26
D582,985	S *	12/2008	Tanaka .....	D20/10
D651,933	S *	1/2012	Bullock .....	D11/26
D652,275	S *	1/2012	Wegener .....	D11/26
D660,690	S *	5/2012	Mixides .....	D8/396
D664,839	S *	8/2012	Bonhag .....	D8/396
D732,009	S *	6/2015	Bak .....	D14/229
D766,711	S *	9/2016	Babbage .....	D8/394
D783,392	S *	4/2017	Dew .....	D8/396

\* cited by examiner

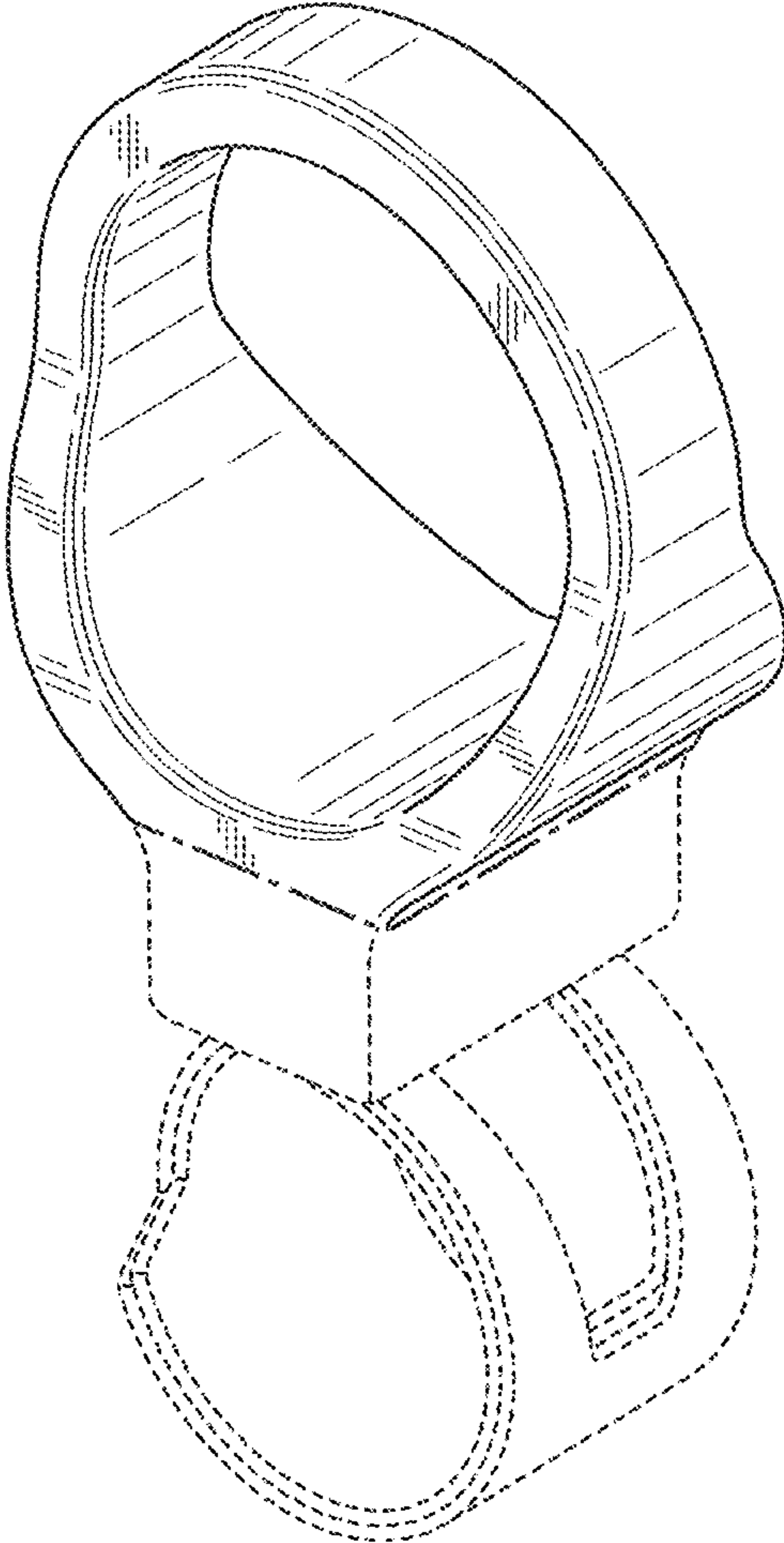


FIG. 1

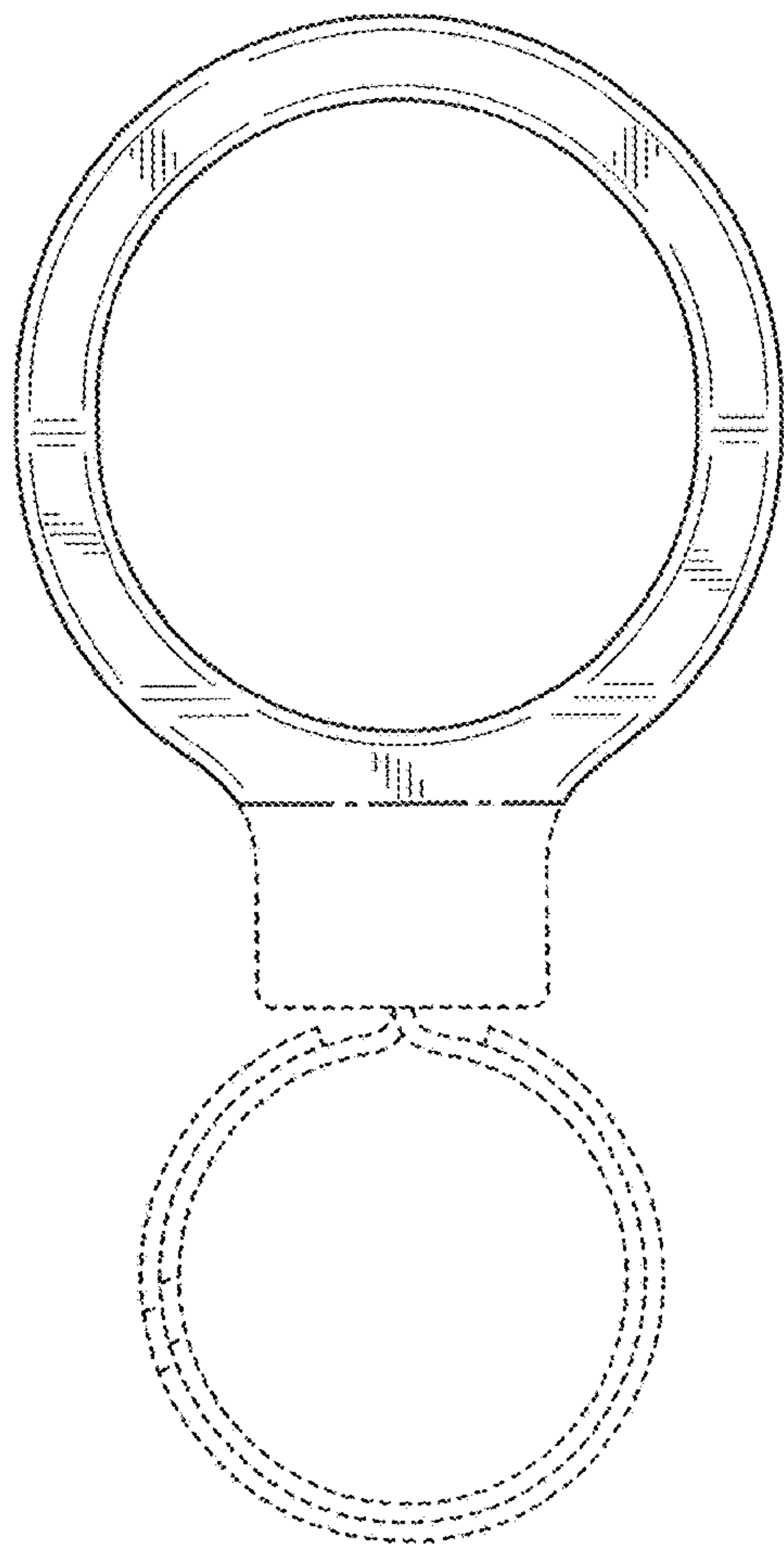


FIG. 2

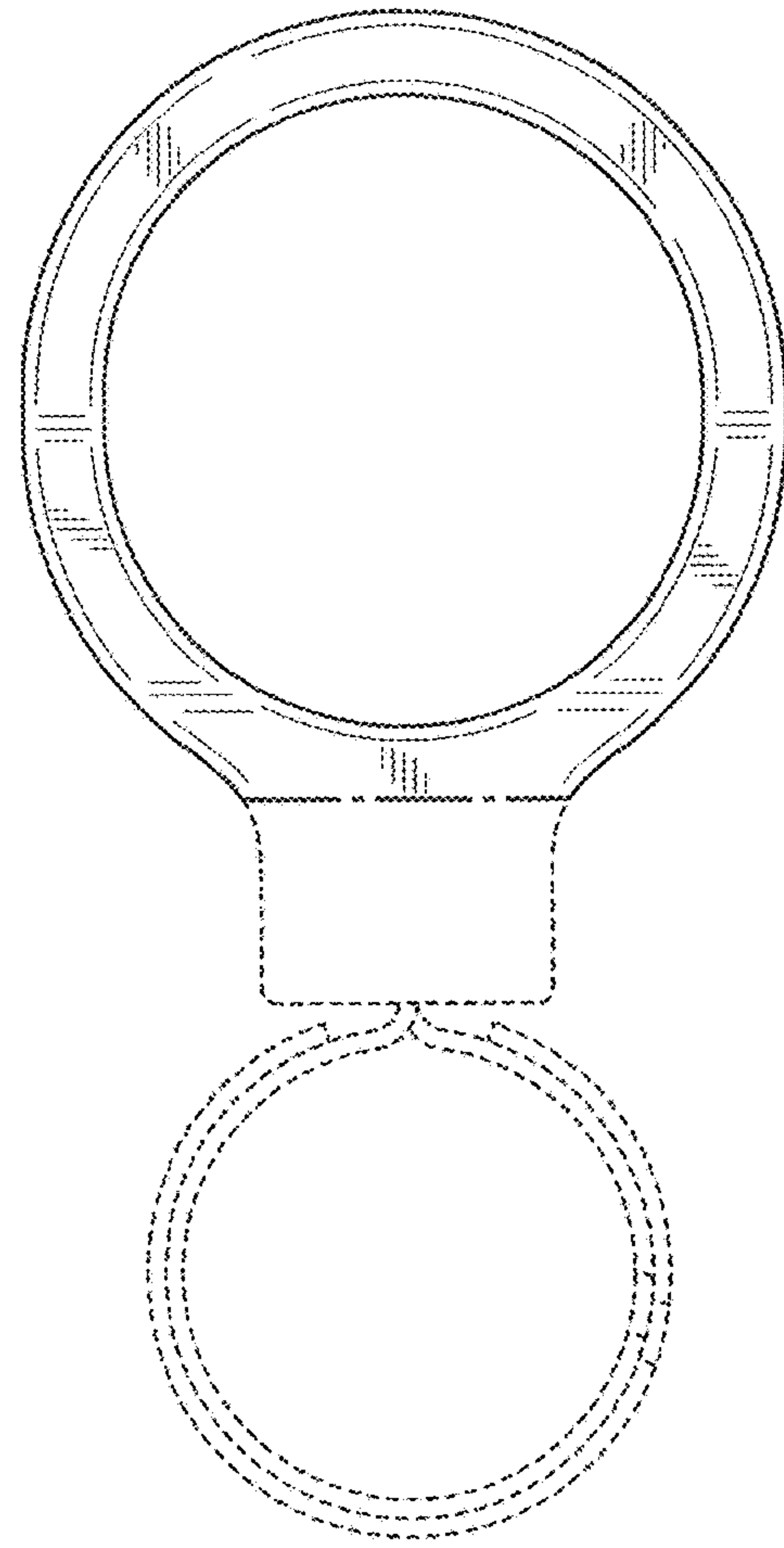
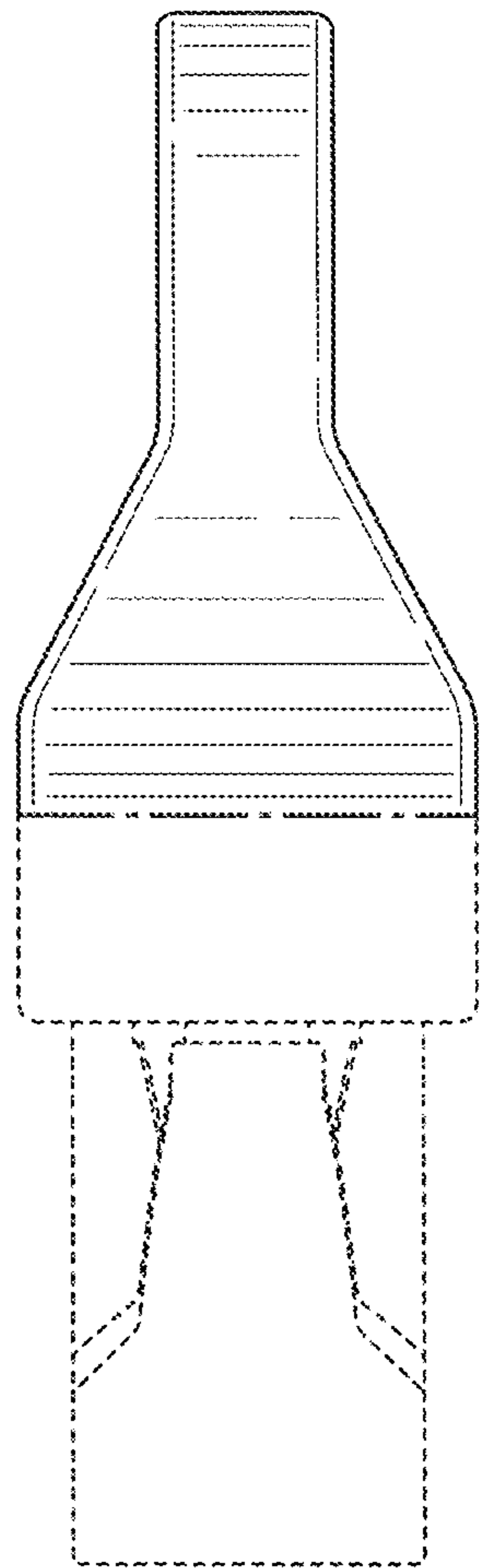
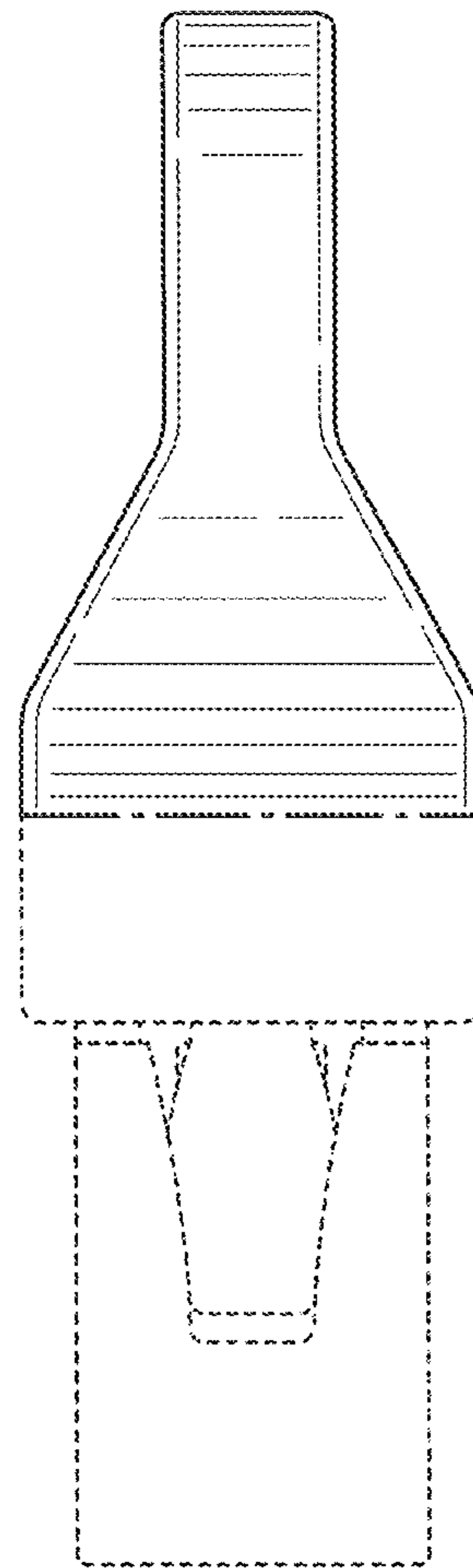


FIG. 3



*FIG. 4*



*FIG. 5*

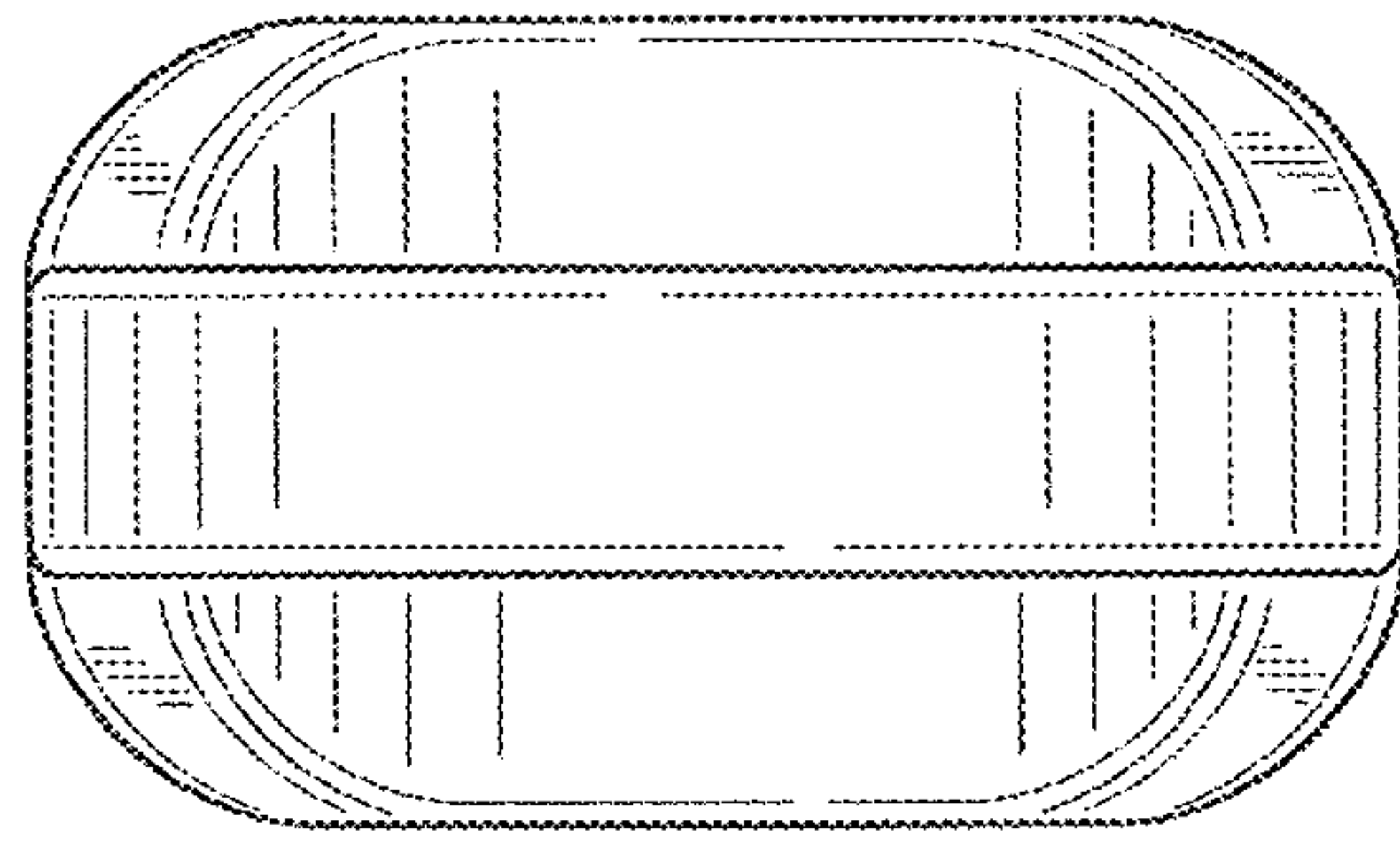


FIG. 6

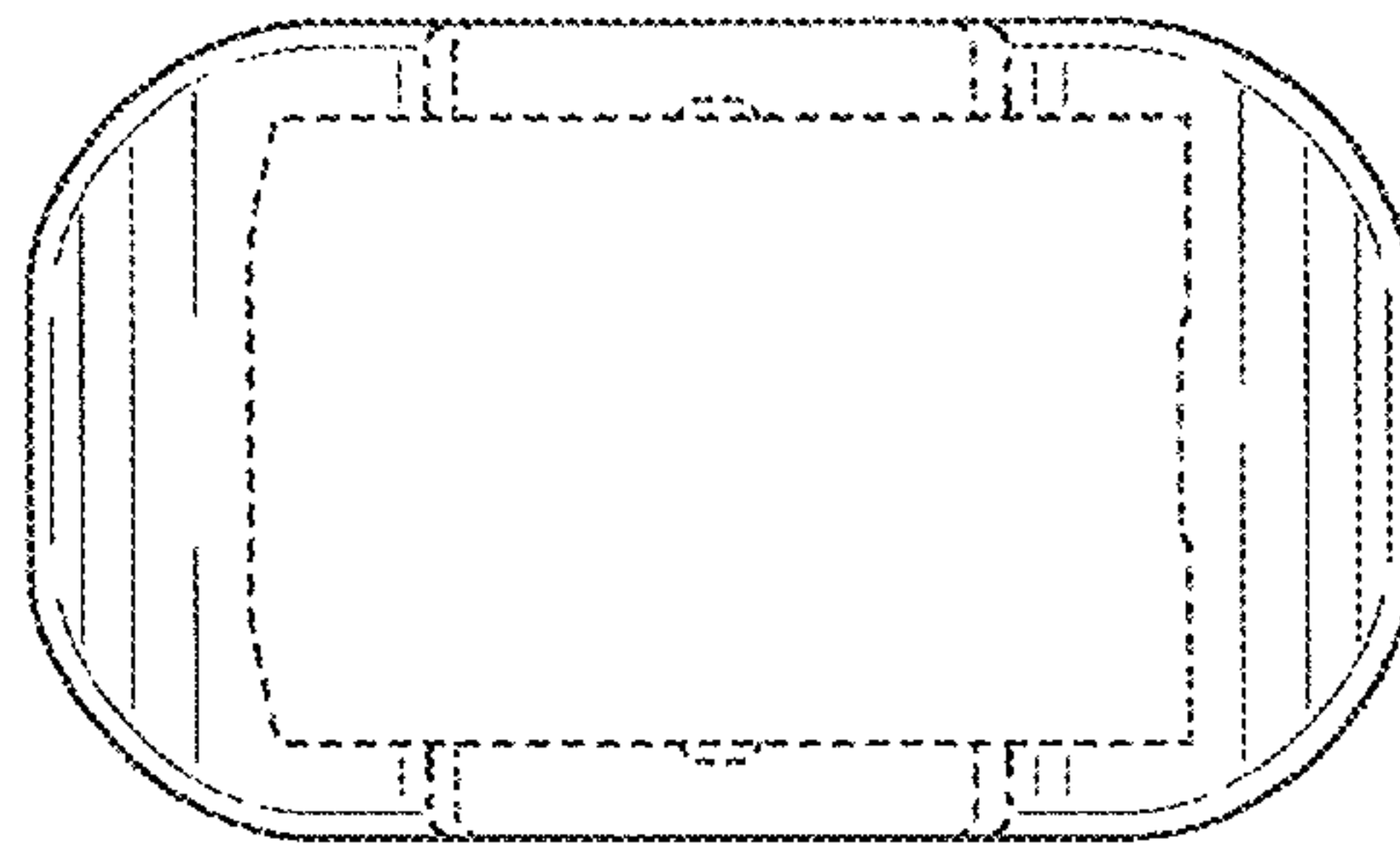


FIG. 7