



US00D824246S

(12) **United States Design Patent**  
**Ming**

(10) **Patent No.:** **US D824,246 S**  
(45) **Date of Patent:** **\*\* Jul. 31, 2018**

- (54) **CLIP**
- (71) Applicant: **Dyno Seasonal Solutions LLC**,  
Pompano Beach, FL (US)
- (72) Inventor: **Chan Chi Ming**, Sha Tin (HK)
- (73) Assignee: **Dyno Seasonal Solutions LLC**,  
Pompano Beach, FL (US)
- (\*\*) Term: **15 Years**
- (21) Appl. No.: **29/583,568**
- (22) Filed: **Nov. 7, 2016**
- (51) **LOC (11) Cl.** ..... **08-08**
- (52) **U.S. Cl.**  
USPC ..... **D8/382**
- (58) **Field of Classification Search**  
USPC ..... D8/71, 106, 349, 354, 355, 373, 380,  
D8/382, 383, 394, 395, 367; D26/113,  
D26/138

(Continued)

(56) **References Cited**

U.S. PATENT DOCUMENTS

- D244,391 S \* 5/1977 Stockdale ..... D24/232
- 5,249,108 A \* 9/1993 Gary ..... F21V 21/14  
248/231.9

(Continued)

*Primary Examiner* — Sandra S Snapp  
*Assistant Examiner* — Ieisha N Price  
 (74) *Attorney, Agent, or Firm* — Greenberg Traurig, LLP;  
 David J. Dykeman; Joshua M. Herman

(57) **CLAIM**

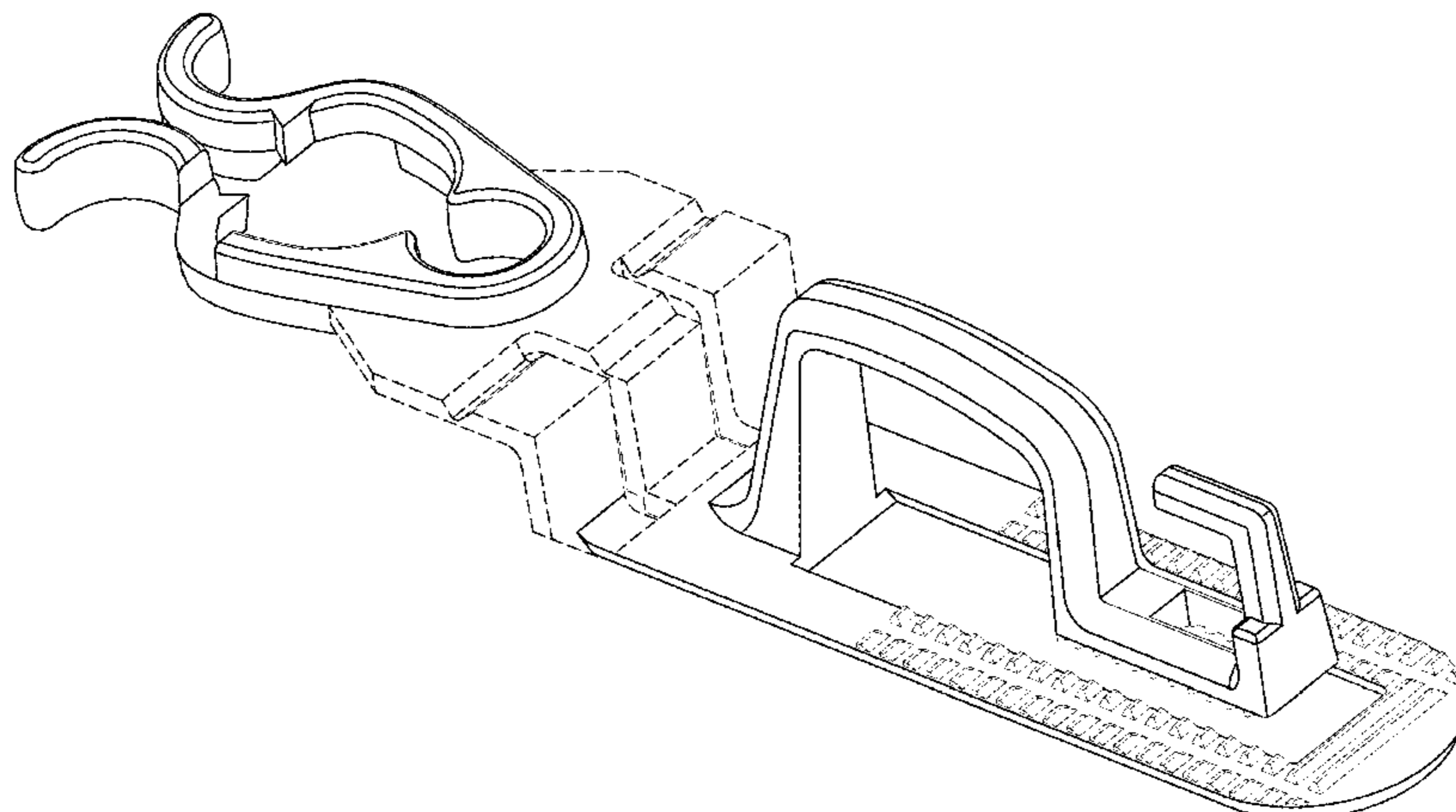
The ornamental design for a clip, as shown and described.

**DESCRIPTION**

FIG. 1 is a top, left side perspective view of a clip in a fully open position showing my new design;

FIG. 2 is a top view of the clip in a fully open position shown in FIG. 1;  
 FIG. 3 is a bottom view of the clip in a fully open position shown in FIG. 1;  
 FIG. 4 is a left side view of the clip in a fully open position shown in FIG. 1;  
 FIG. 5 is an enlarged view of a portion of the clip in a fully open position taken along circle 5 shown in FIG. 4;  
 FIG. 6 is a right side view of the clip in a fully open position shown in FIG. 1;  
 FIG. 7 is an enlarged view of a portion of the clip in a fully open position taken along circle 7 shown in FIG. 6;  
 FIG. 8 is a rear view of the clip in a fully open position shown in FIG. 1;  
 FIG. 9 is a front view of the clip in a fully open position shown in FIG. 1;  
 FIG. 10 is an enlarged view of a portion of the clip in a fully open position taken along circle 10 shown in FIG. 9;  
 FIG. 11 is a top, left side perspective view of a clip in a partially open position showing my new design;  
 FIG. 12 is a top view of the clip in a partially open position shown in FIG. 11;  
 FIG. 13 is a bottom view of the clip in a partially open position shown in FIG. 11;  
 FIG. 14 is a left side view of the clip in a partially open position shown in FIG. 11;  
 FIG. 15 is an enlarged view of a portion of the clip in a partially open position taken along circle 15 shown in FIG. 14;  
 FIG. 16 is a right side view of the clip in a partially open position shown in FIG. 11;  
 FIG. 17 is an enlarged view of a portion of the clip in a partially open position taken along circle 17 shown in FIG. 16;  
 FIG. 18 is a rear view of the clip in a partially open position shown in FIG. 11;  
 FIG. 19 is a front view of the clip in a partially open position shown in FIG. 11; and,  
 FIG. 20 is an enlarged view of a portion of the clip in a partially open position taken along circle 20 shown in FIG. 19.

(Continued)



The broken lines in the drawings illustrate portions of the clip and form no part of the claimed design.

**1 Claim, 11 Drawing Sheets**

**(58) Field of Classification Search**

CPC ..... F21V 19/00; F21V 21/00; F21V 21/008;  
 F21V 21/08; F21V 21/088; F21V 21/14;  
 F21V 21/34; F21S 4/10; F21W 2121/004;  
 F21W 2121/02

See application file for complete search history.

**(56) References Cited**

U.S. PATENT DOCUMENTS

D356,492	S	*	3/1995	Adams	.....	D26/138
D365,014	S	*	12/1995	Fennessy	.....	D26/138
D376,535	S	*	12/1996	Gary	.....	D26/138
D414,291	S	*	9/1999	Gary	.....	D26/138
D422,203	S	*	4/2000	Gary	.....	D8/367
D424,418	S	*	5/2000	Gary	.....	D26/138
D424,419	S	*	5/2000	Avinger	.....	D26/138
D427,510	S	*	7/2000	Gary	.....	D26/138

D451,007	S	*	11/2001	Jones	.....	D8/367
6,327,758	B1	*	12/2001	Petrakis	.....	E04B 9/006 24/293
D460,912	S	*	7/2002	Gary	.....	D8/395
6,513,772	B2	*	2/2003	Gary	.....	F16B 13/08 248/231.31
D481,927	S	*	11/2003	Wu	.....	D8/371
D482,489	S	*	11/2003	Gary	.....	D26/138
D494,849	S	*	8/2004	Jones	.....	D8/395
D510,018	S	*	9/2005	Tognolini	.....	D8/395
D520,864	S	*	5/2006	Cheung	.....	D8/395
D530,598	S	*	10/2006	Jackson	.....	D8/395
D531,018	S	*	10/2006	Jackson	.....	D8/395
D537,330	S	*	2/2007	Cox	.....	D8/395
D538,636	S	*	3/2007	Jackson	.....	D8/395
D547,170	S	*	7/2007	Cox	.....	D8/395
D562,675	S	*	2/2008	Cox	.....	D8/395
D562,676	S	*	2/2008	Cox	.....	D8/395
D671,826	S	*	12/2012	Adams, IV	.....	D8/395
D675,087	S	*	1/2013	Gary	.....	D8/395
D675,509	S	*	2/2013	Gary	.....	D8/395
D675,510	S	*	2/2013	Gary	.....	D8/395
D696,105	S	*	12/2013	Devilliers	.....	D8/395
D756,764	S	*	5/2016	Limber	.....	D8/395
2013/0148366	A1	*	6/2013	Adams, IV	.....	F21V 21/088 362/396

\* cited by examiner

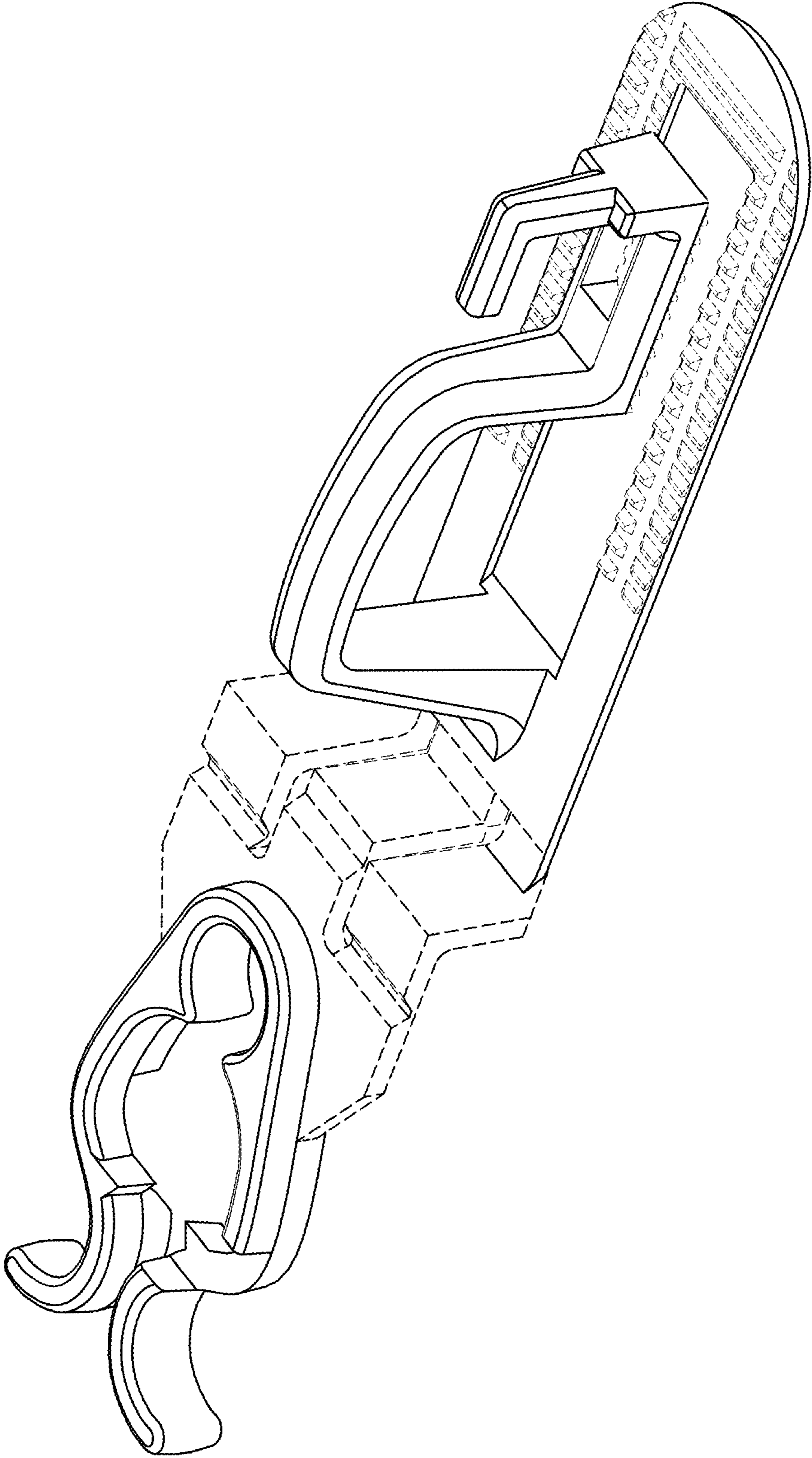


FIG. 1

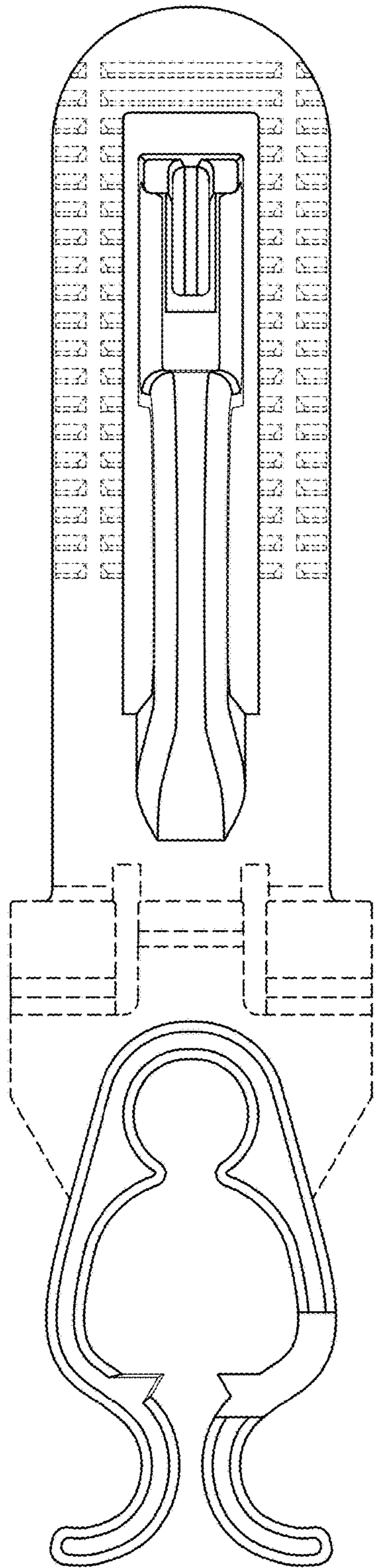


FIG. 2

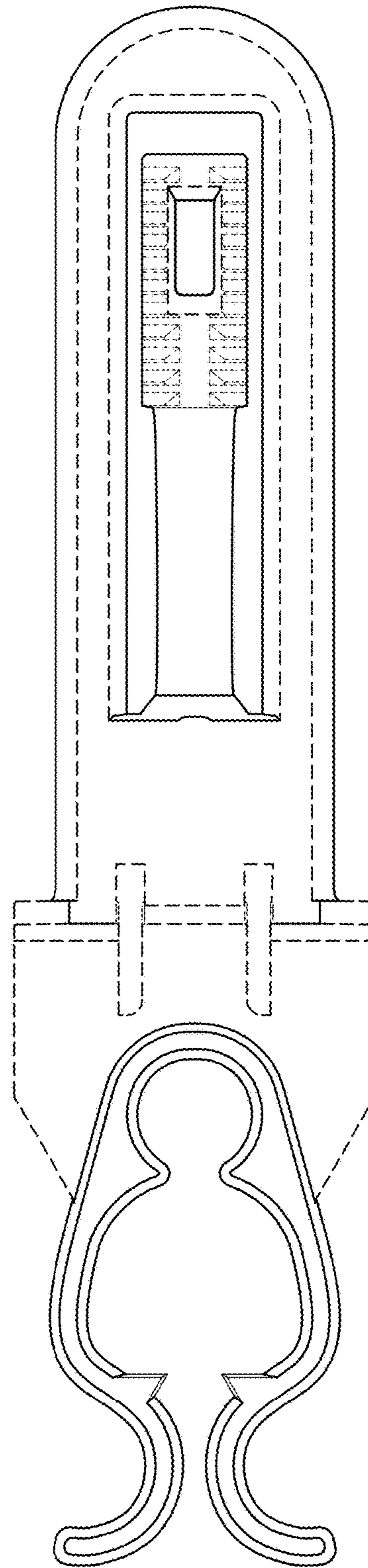
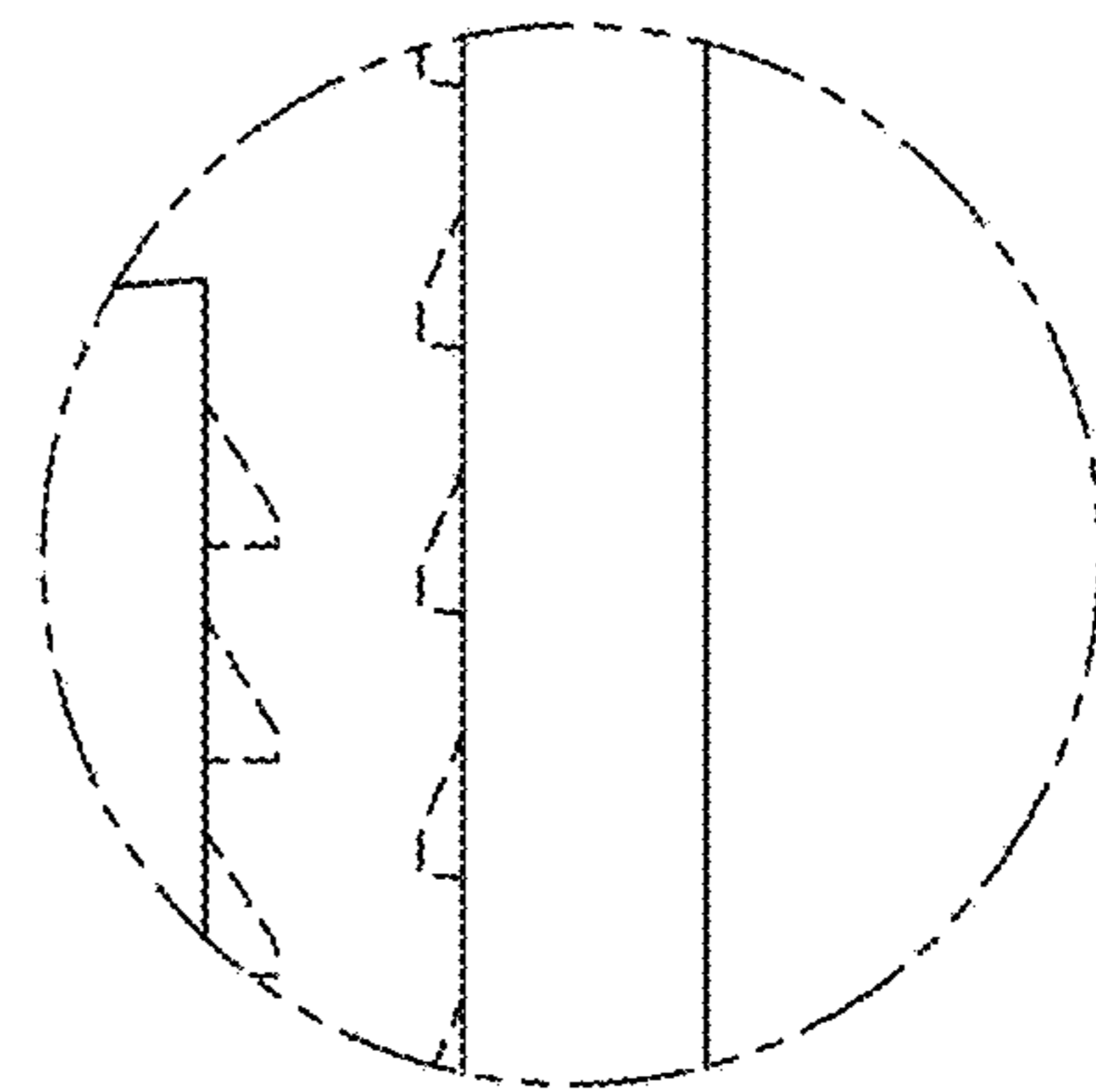
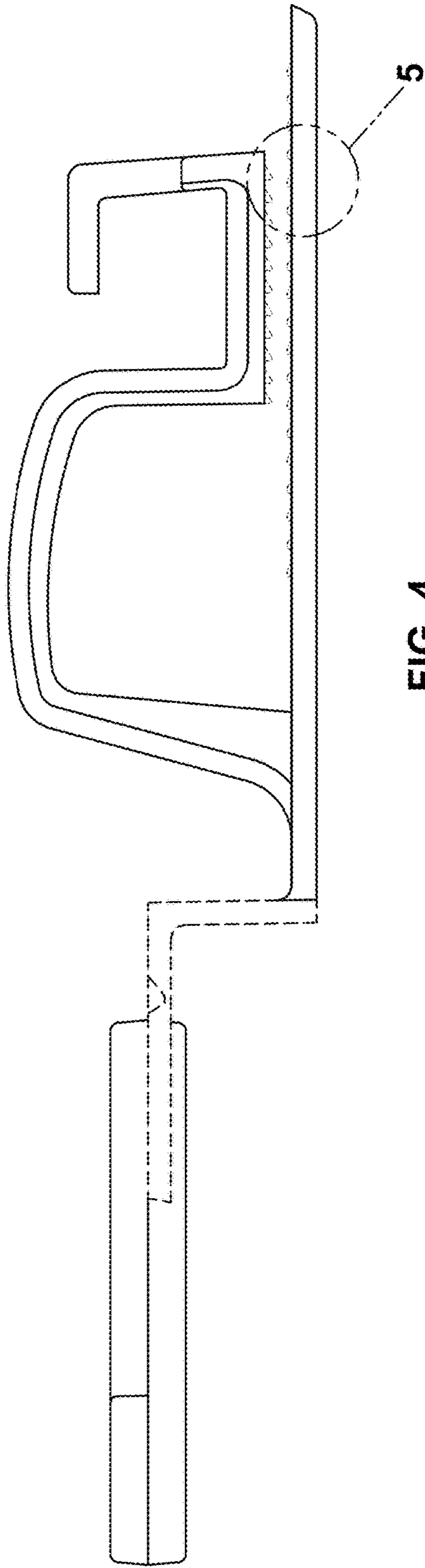
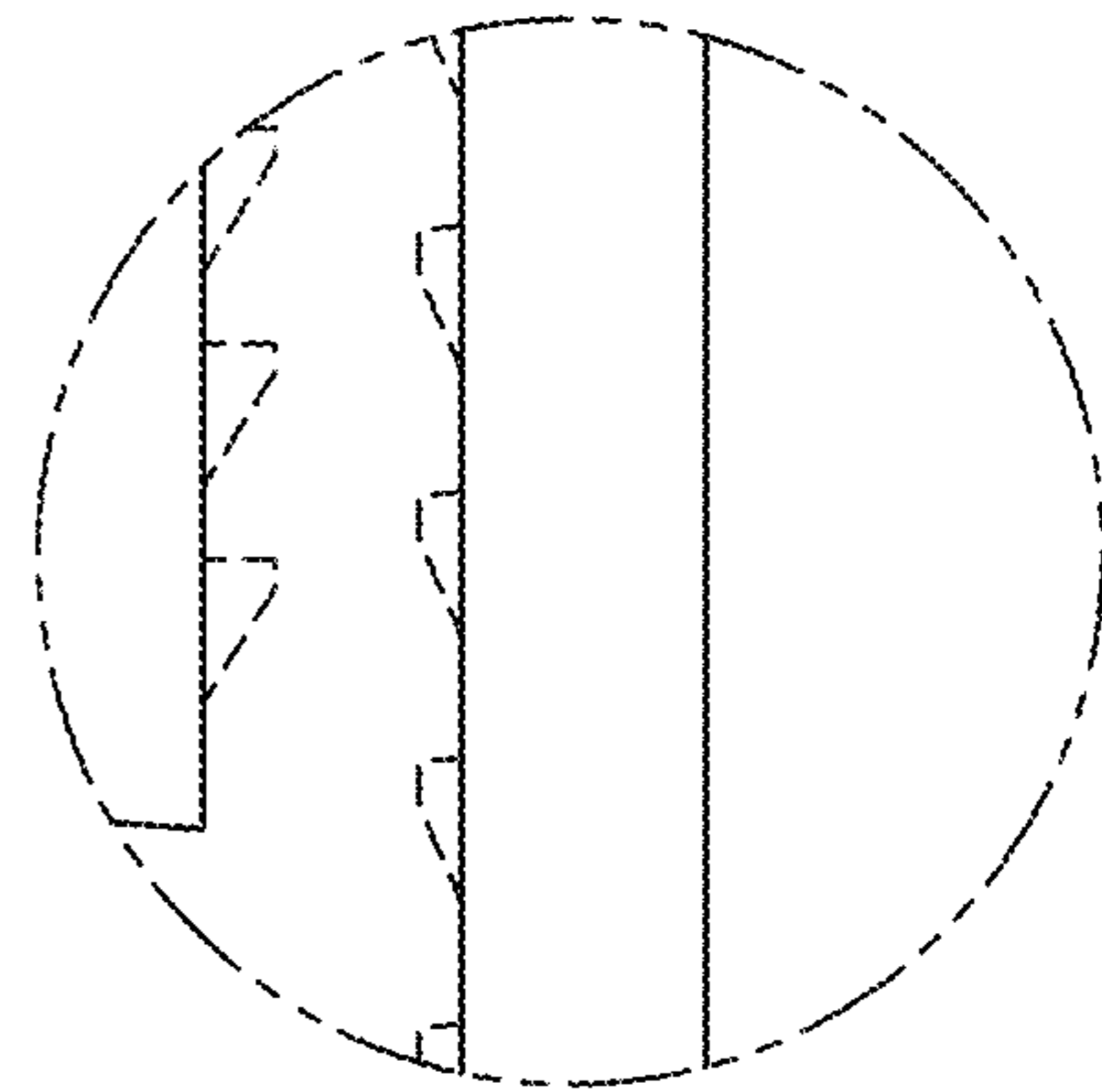
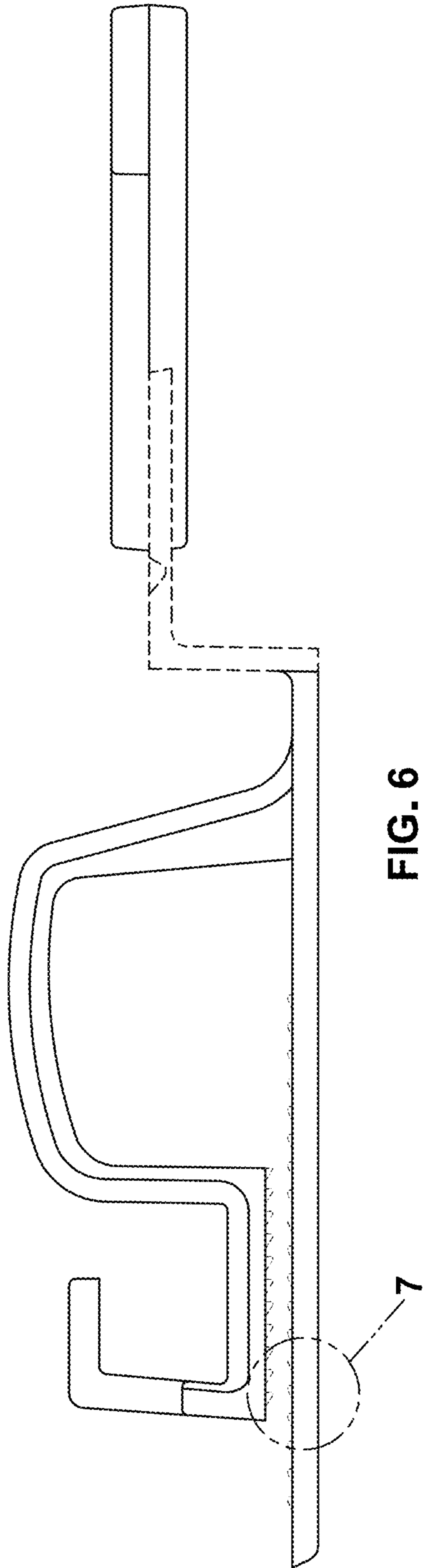


FIG. 3





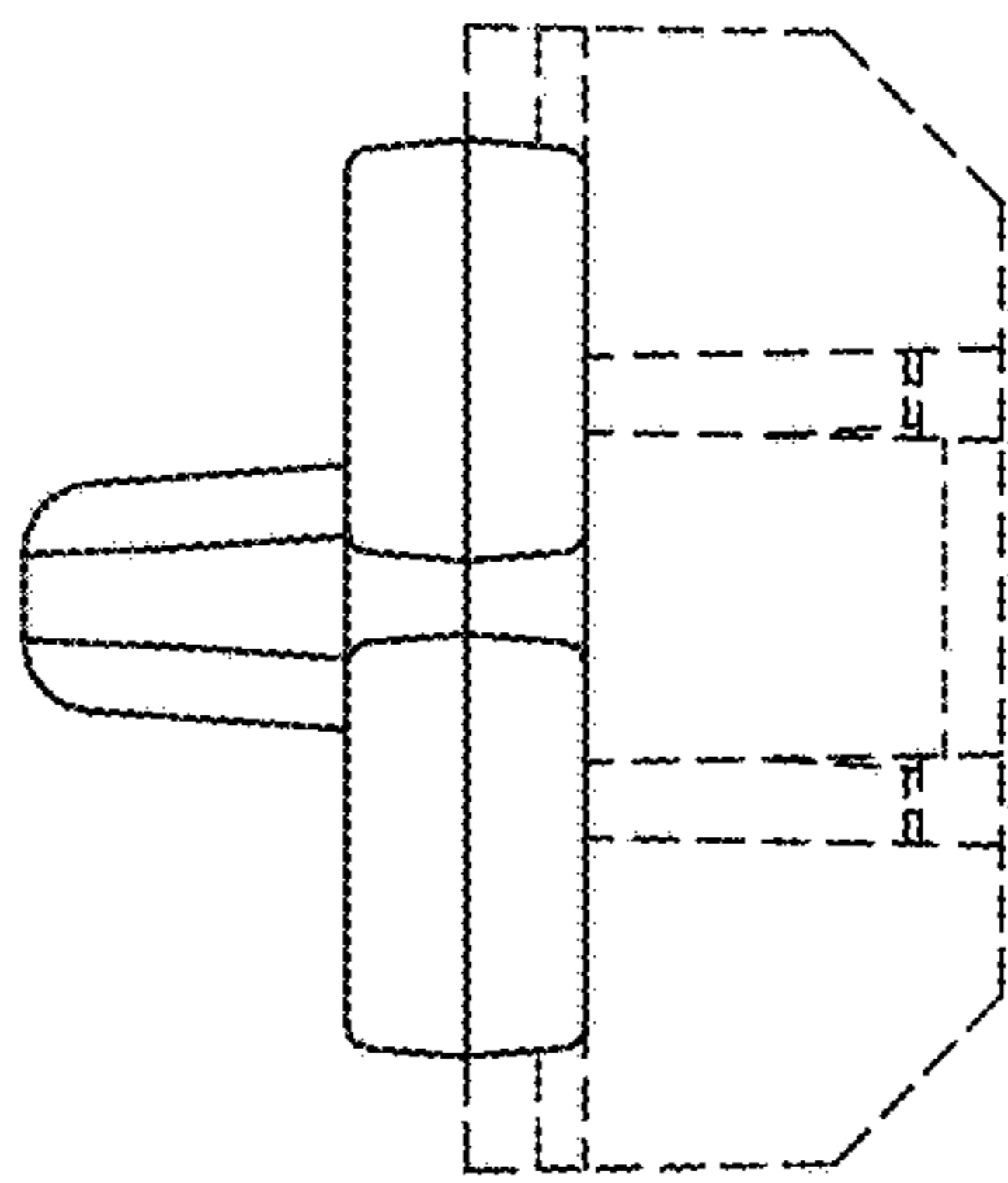


FIG. 8

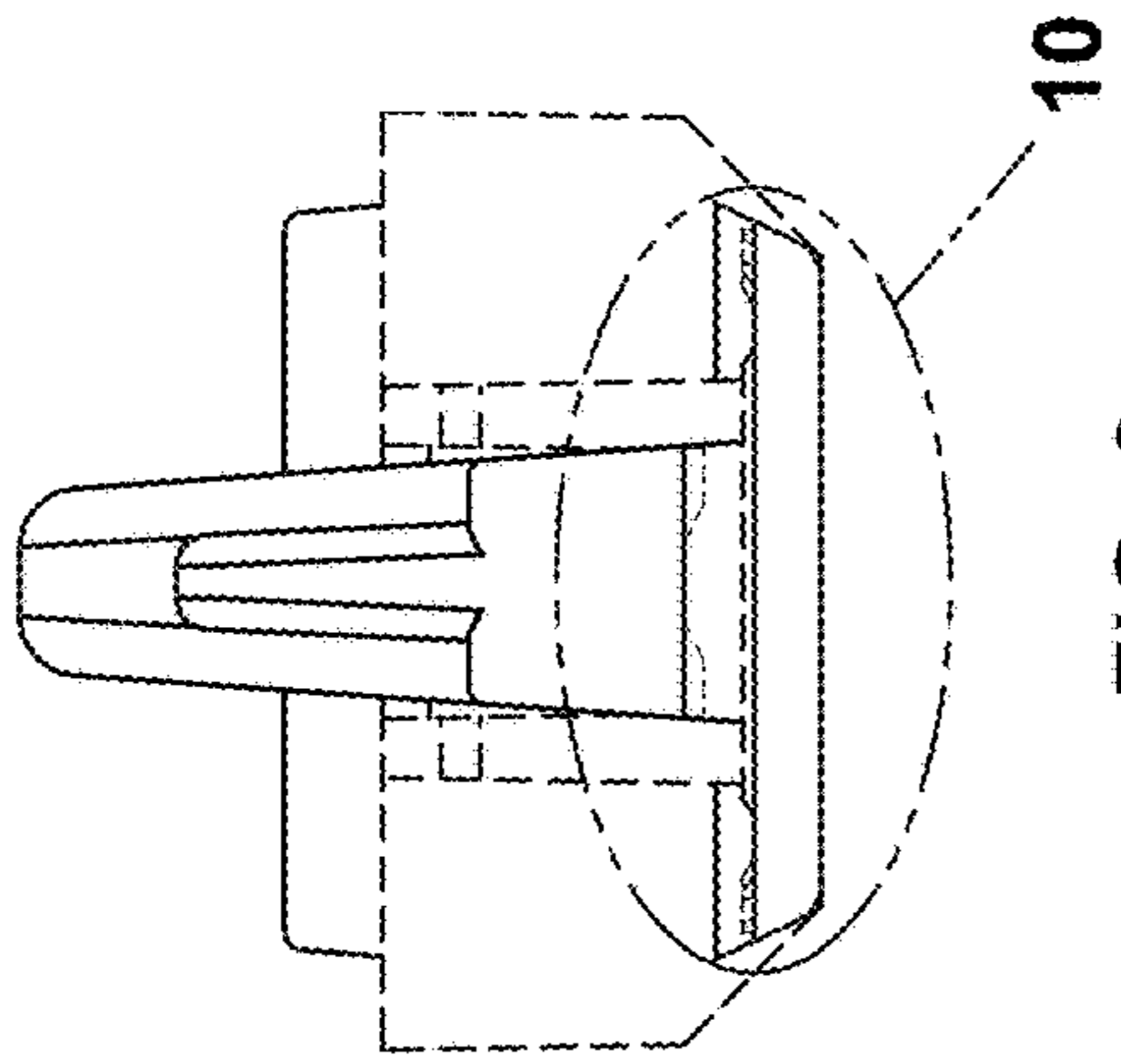


FIG. 9

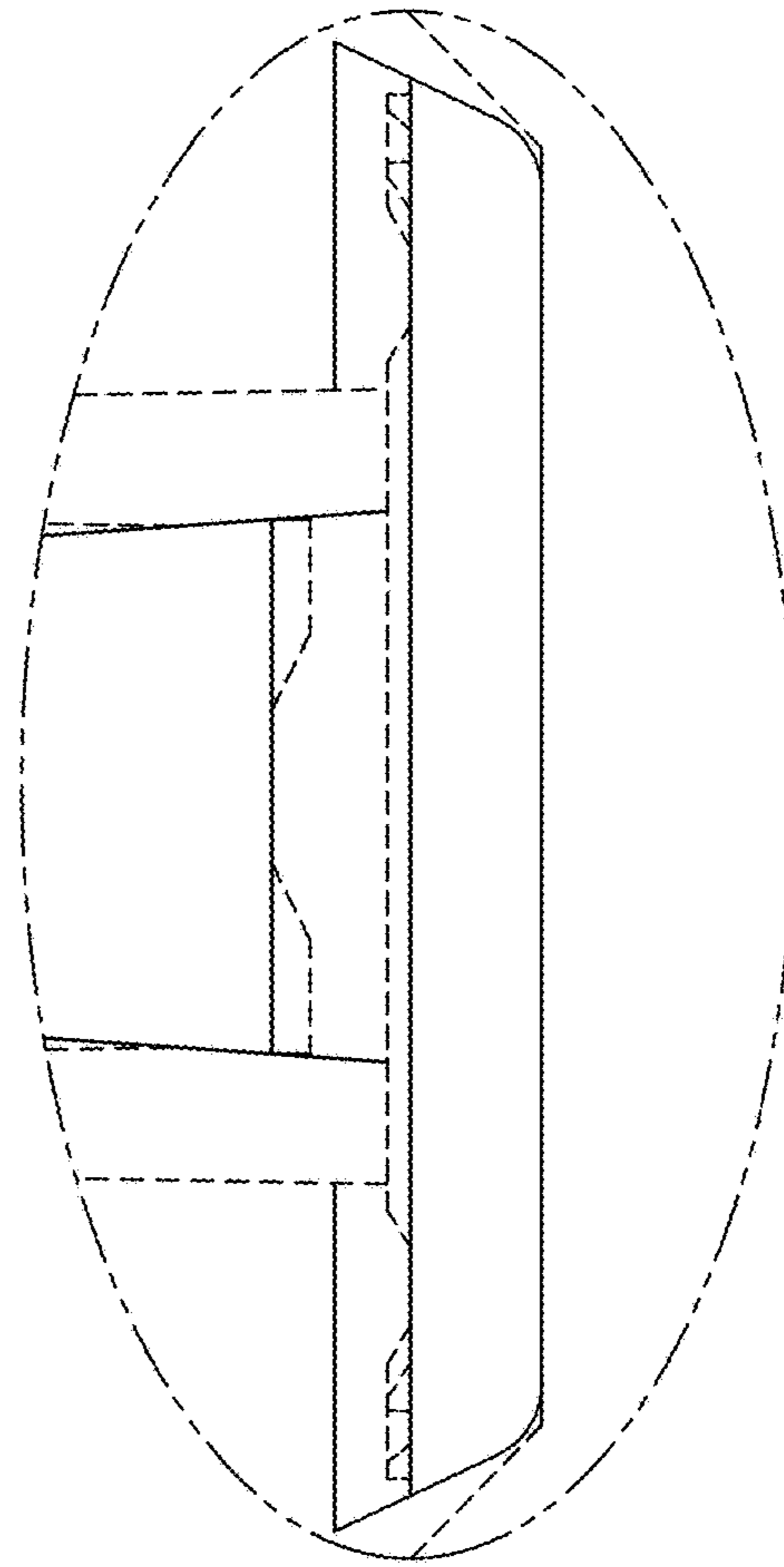


FIG. 10

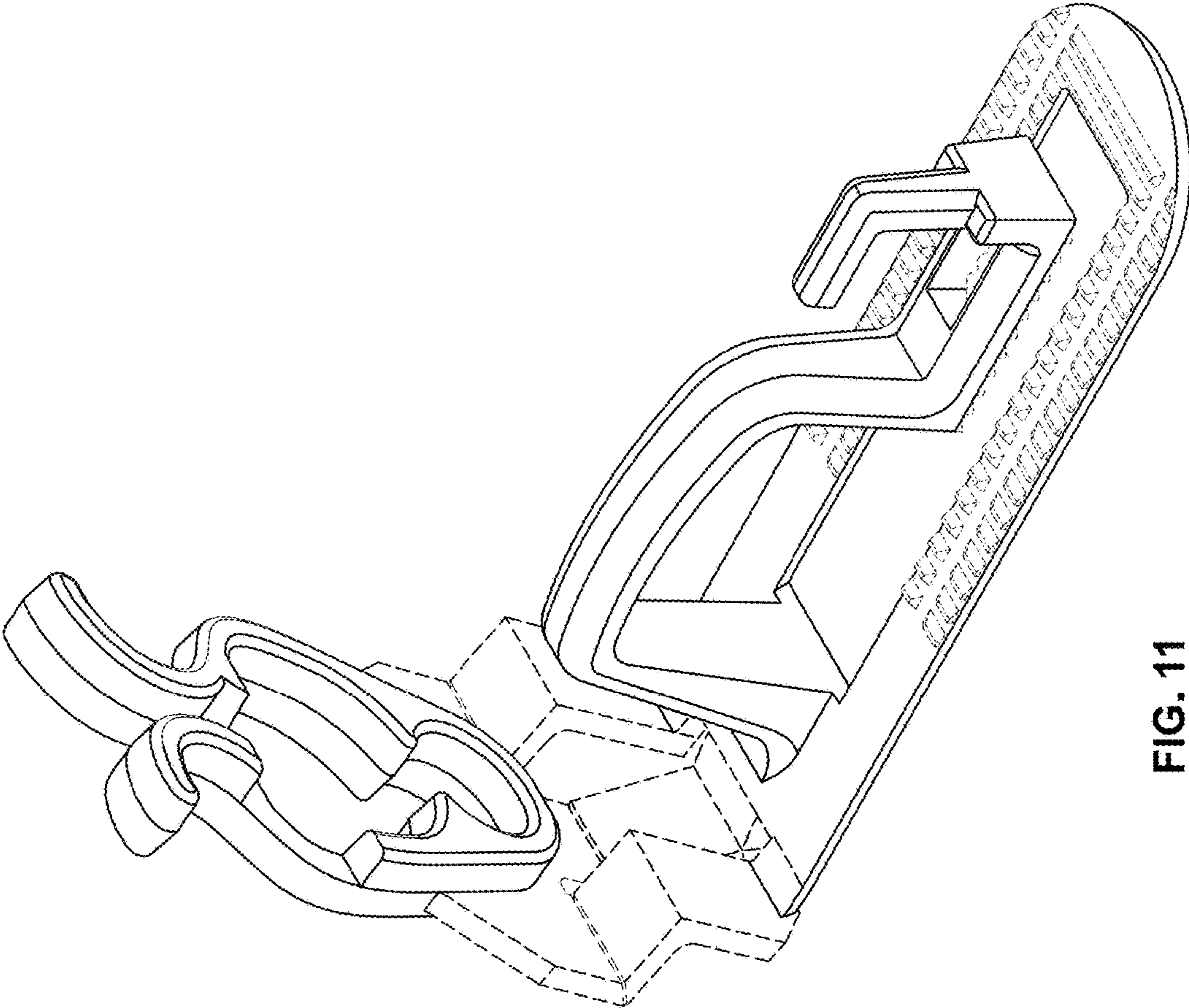


FIG. 11



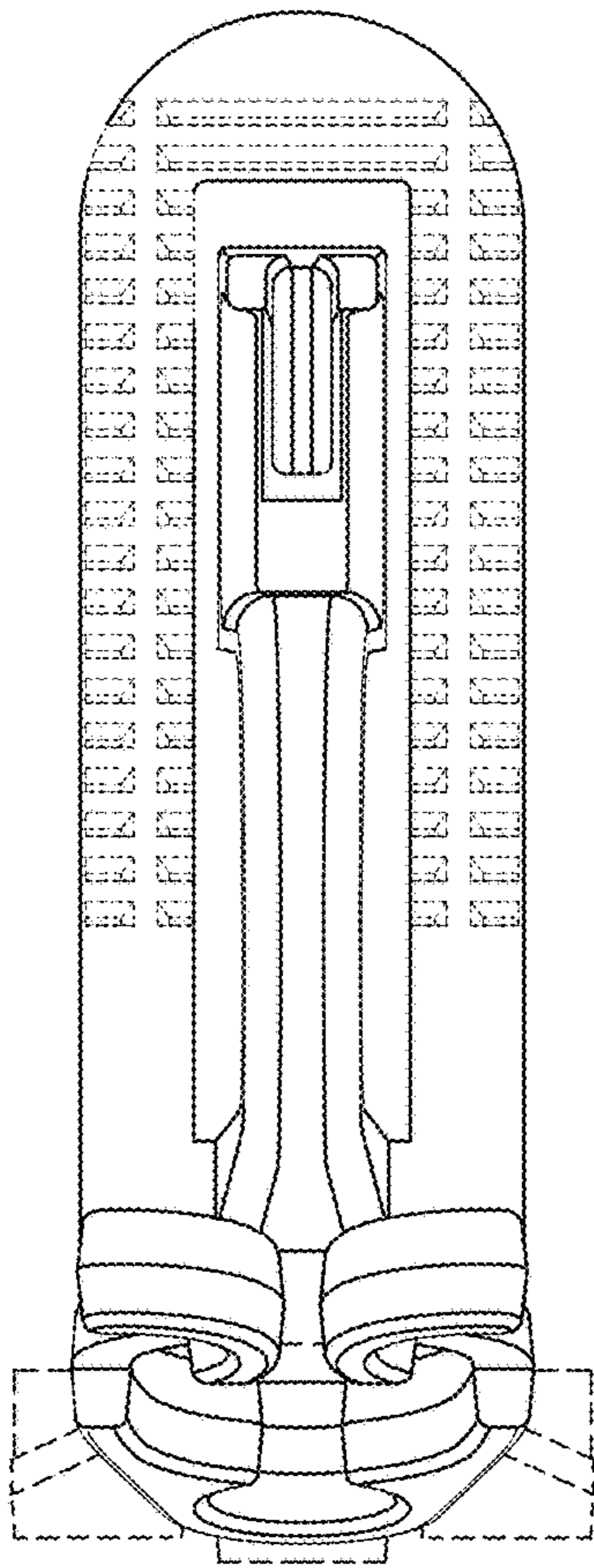


FIG. 12

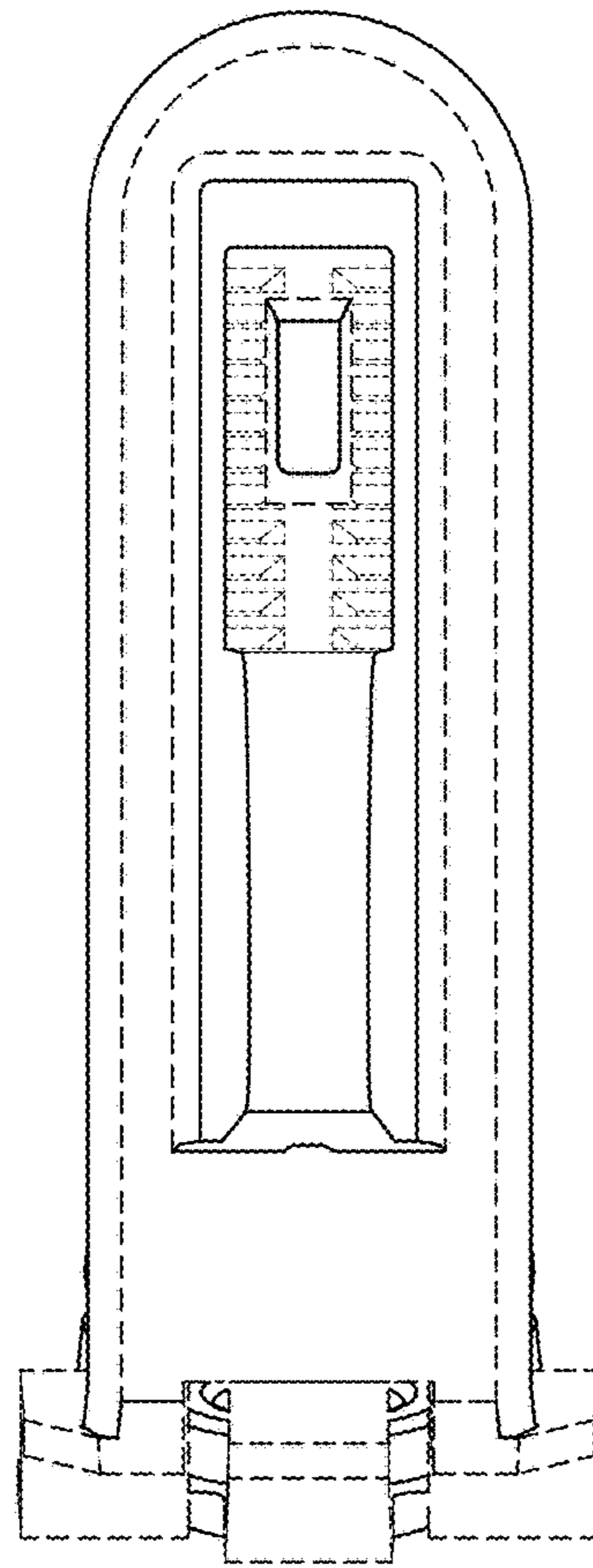


FIG. 13

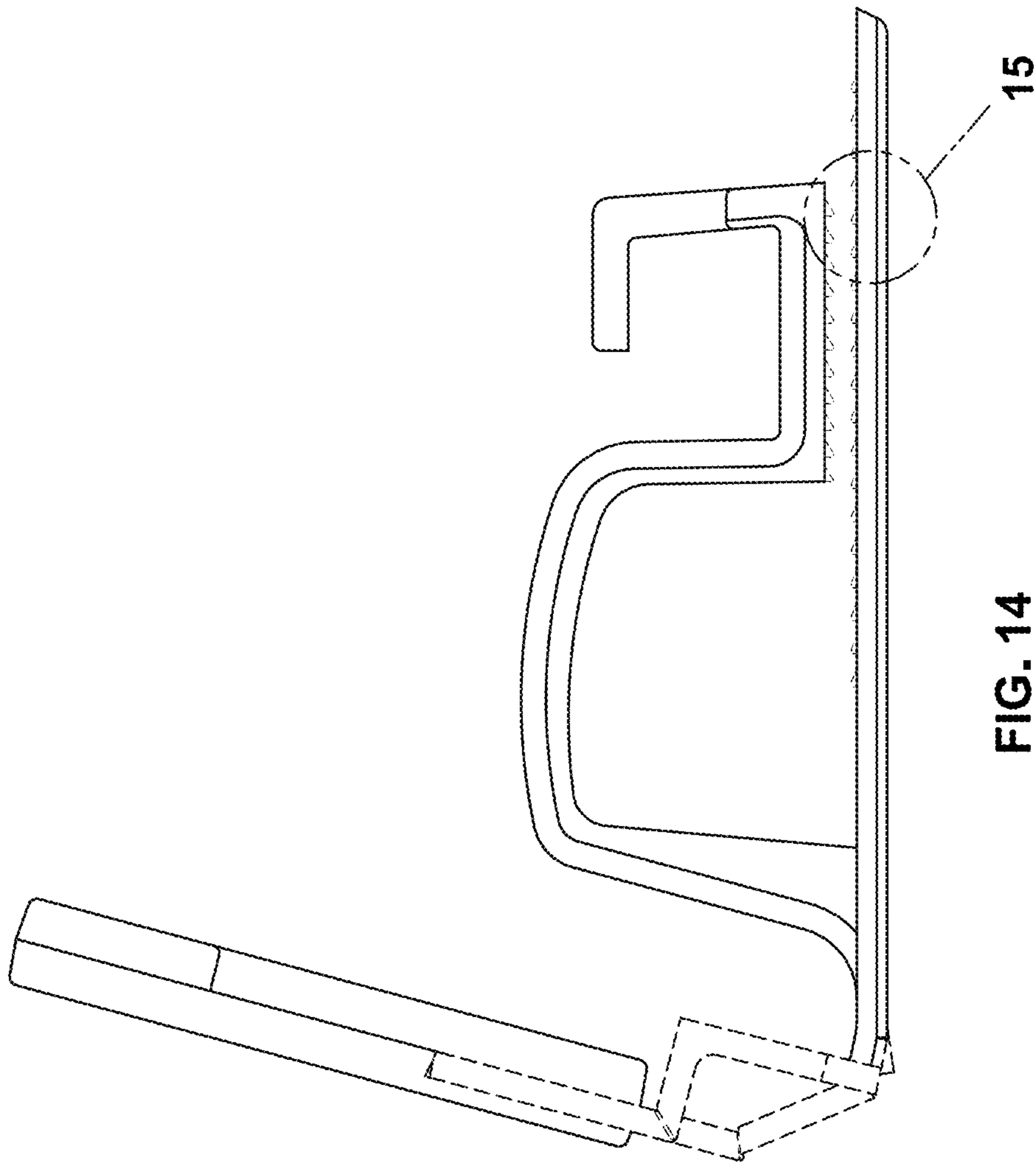


FIG. 14

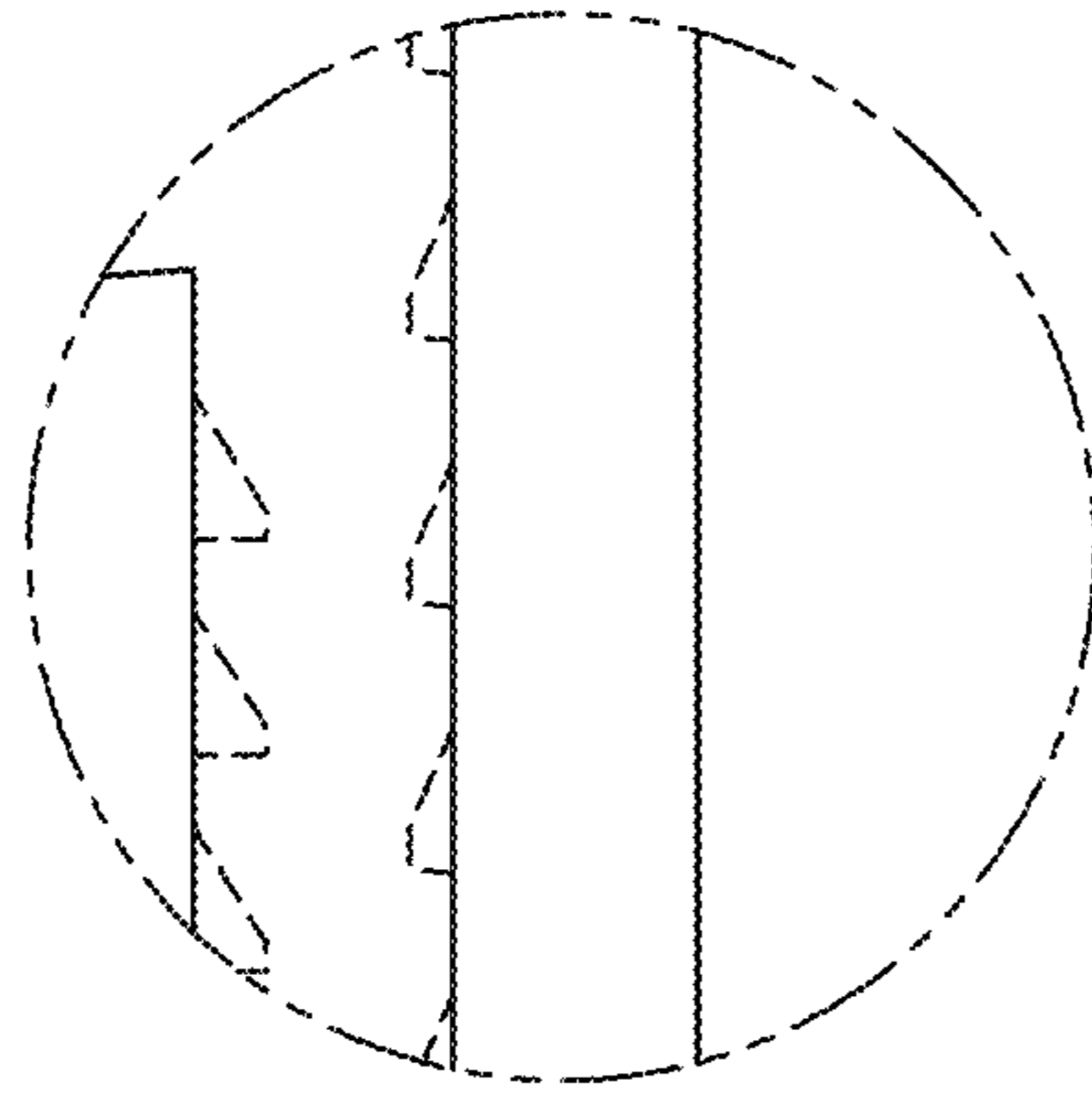


FIG. 15

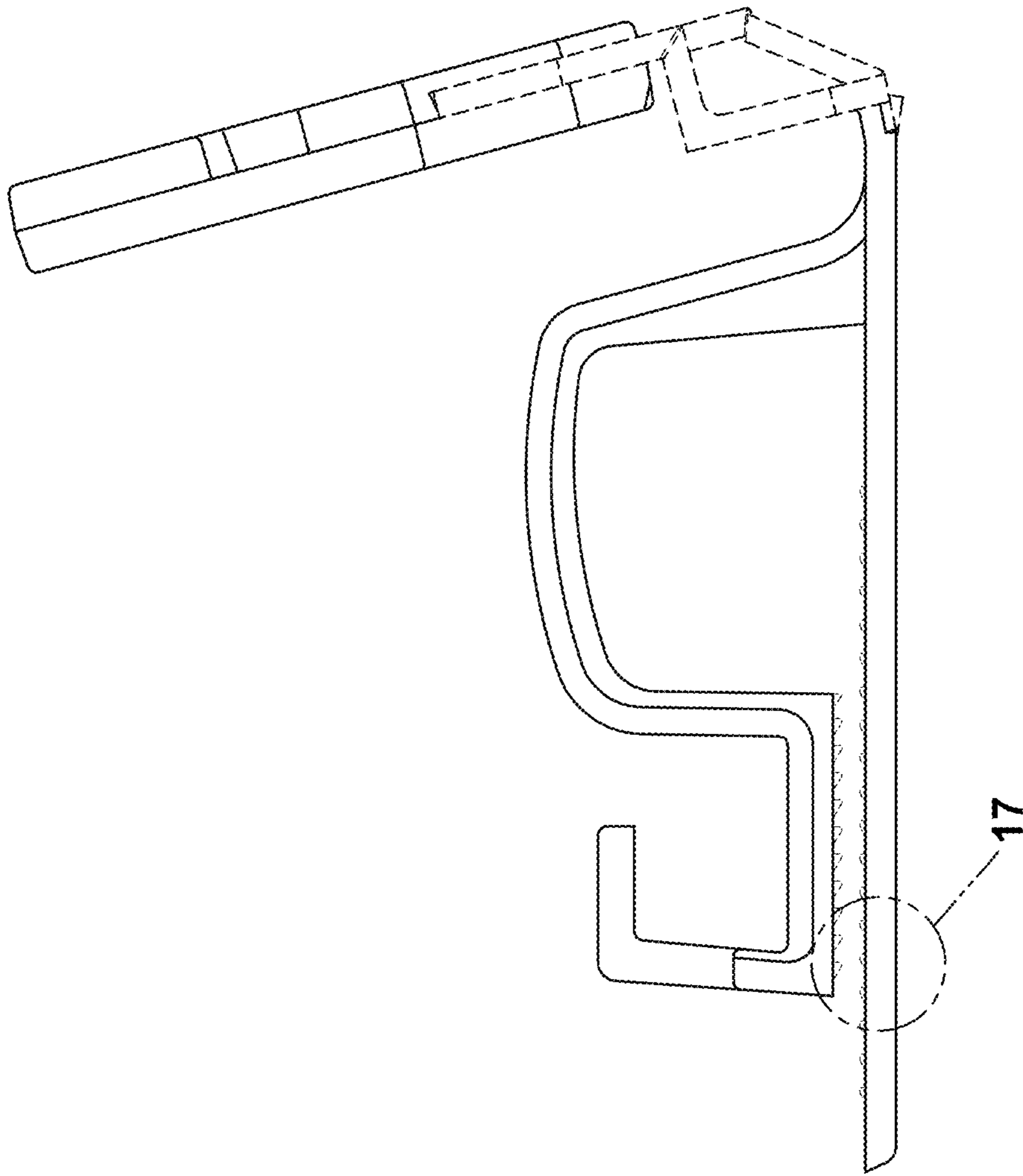


FIG. 16

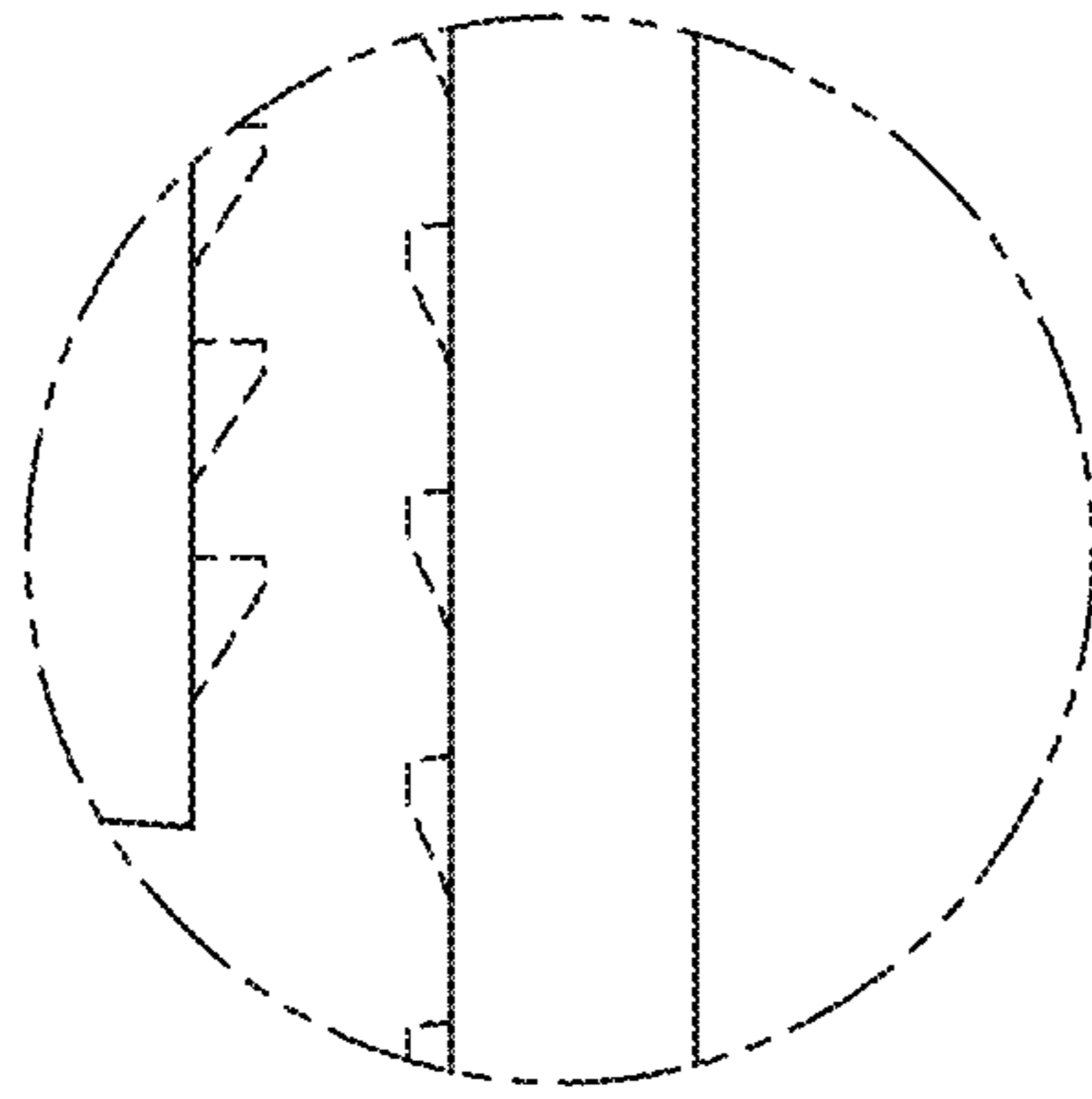


FIG. 17

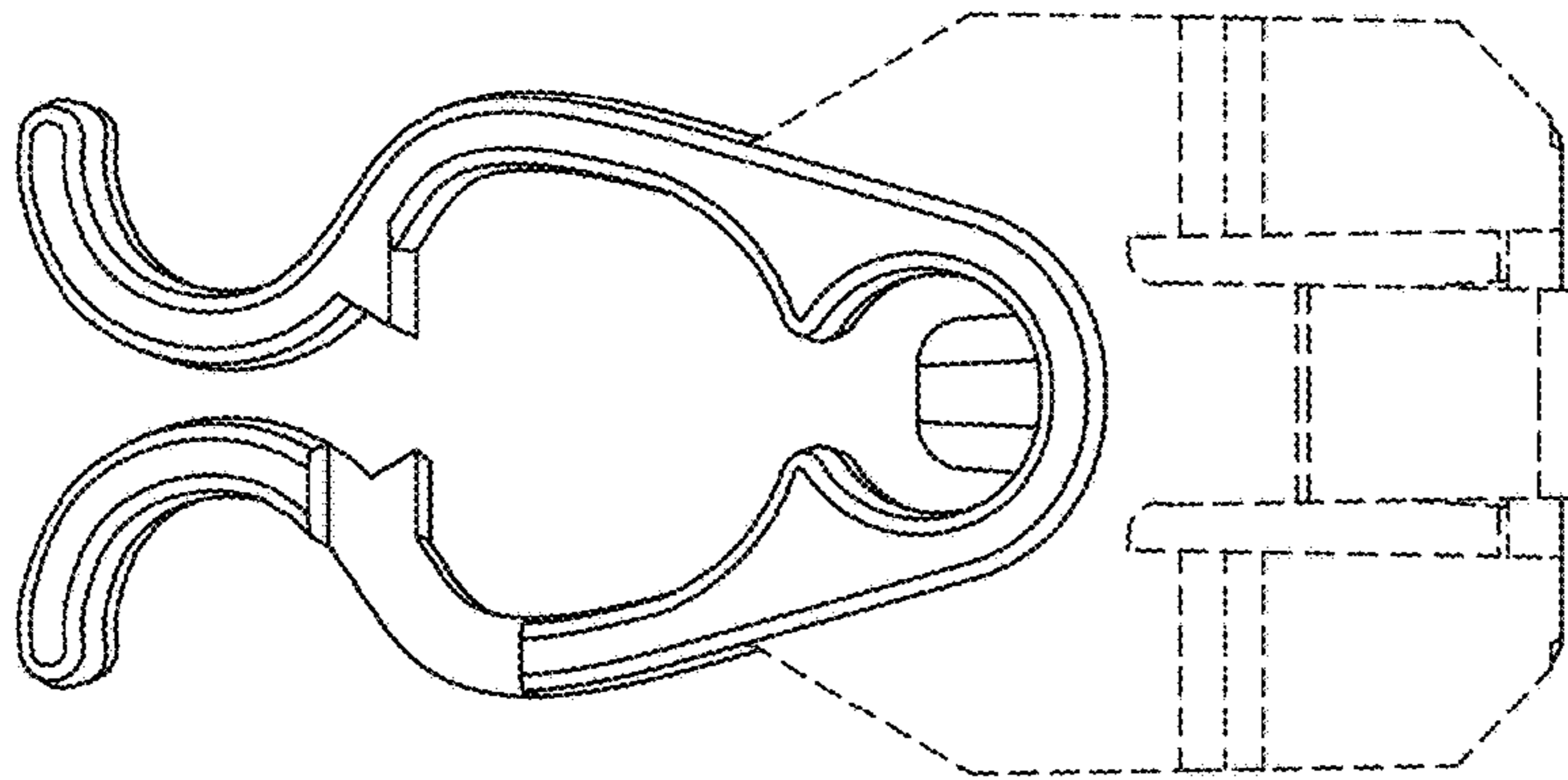


FIG. 18

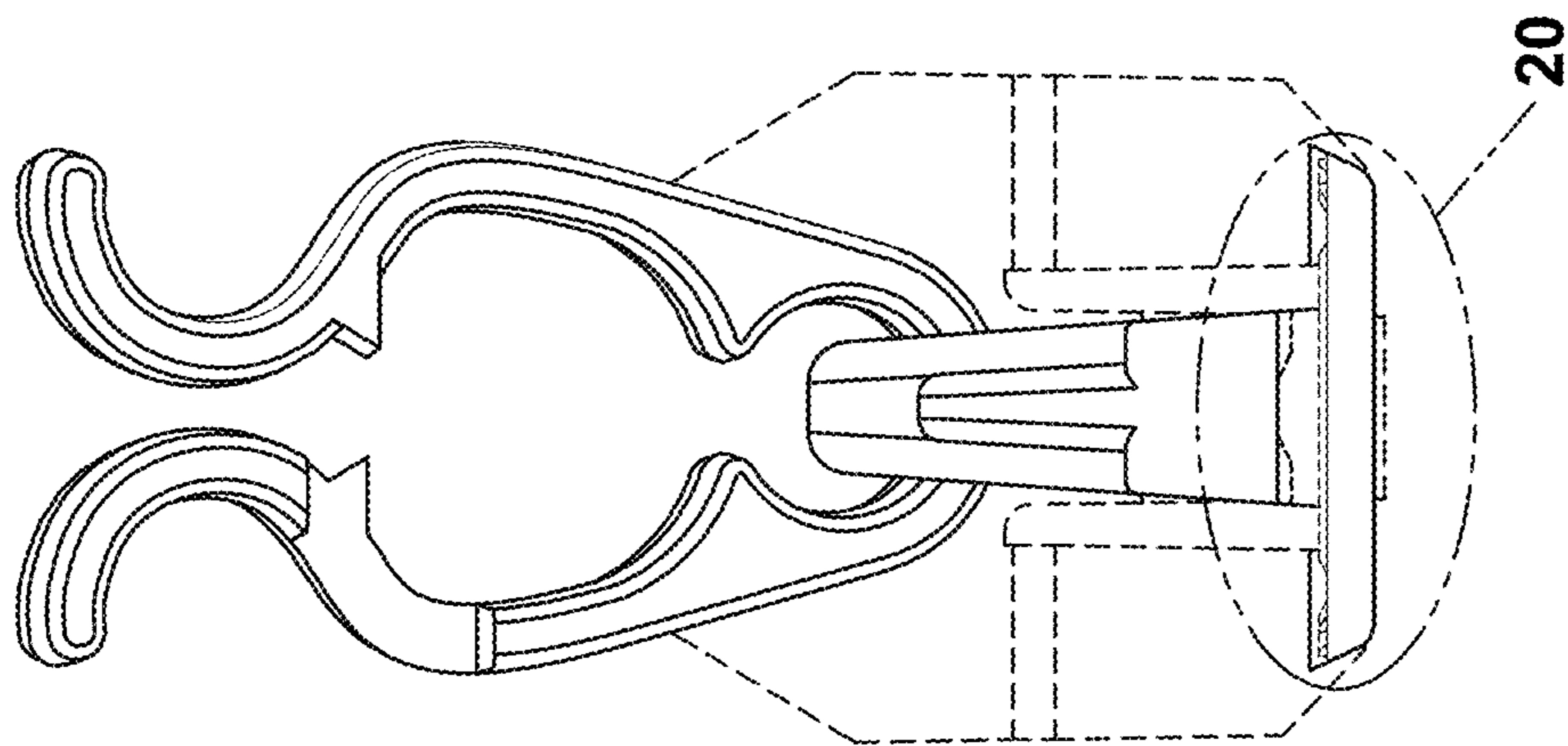


FIG. 19

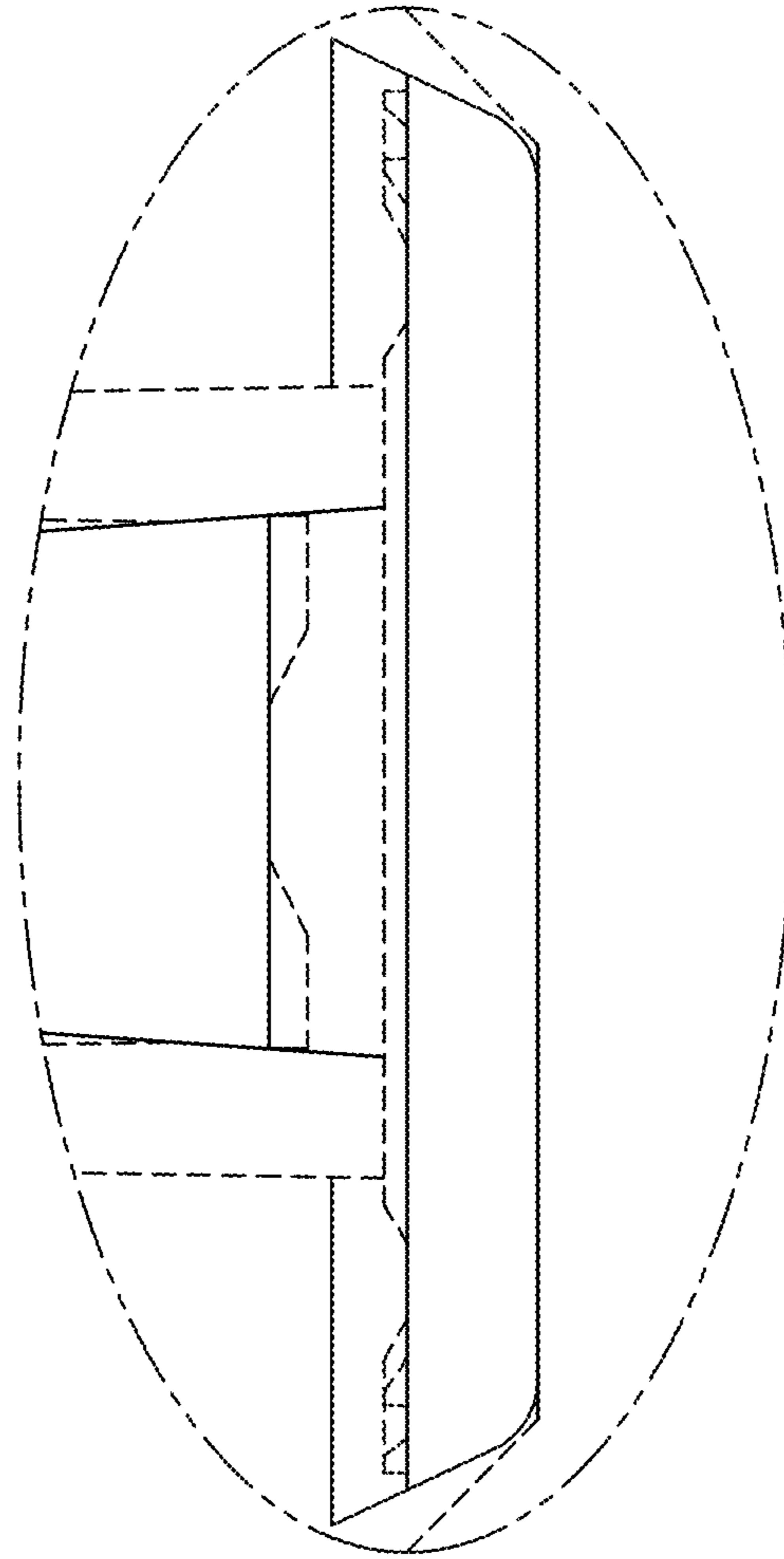


FIG. 20