



US00D824245S

(12) **United States Design Patent** (10) **Patent No.:** **US D824,245 S**  
**Ryu et al.** (45) **Date of Patent:** **\*\* Jul. 31, 2018**

(54) **BRACKET FOR TELEVISION RECEIVER**

(71) Applicant: **LG ELECTRONICS INC.**, Seoul (KR)

(72) Inventors: **Junghan Ryu**, Seoul (KR); **Sehdong Yoo**, Seoul (KR); **Bodeung Hwang**, Seoul (KR); **Yoonui Chong**, Seoul (KR); **Yongseok Kim**, Seoul (KR); **Seonkyu Kim**, Seoul (KR)

(73) Assignee: **LG ELECTRONICS INC.**, Seoul (KR)

(\*\*) Term: **15 Years**

(21) Appl. No.: **35/502,273**

(22) Filed: **Jul. 13, 2016**

(80) **Hague Agreement Data**

Int. Filing Date: **Jul. 13, 2016**  
Int. Reg. No.: **DM/091775**  
Int. Reg. Date: **Jul. 13, 2016**  
Int. Reg. Pub. Date: **Jan. 13, 2017**

(30) **Foreign Application Priority Data**

Jan. 19, 2016 (KR) ..... 30-2016-0002656

(51) **LOC (11) Cl.** ..... **08-05**

(52) **U.S. Cl.**  
USPC ..... **D8/371**

(58) **Field of Classification Search**

USPC ..... D8/367, 366, 371, 372, 382, 363, 354;  
D11/166, 182, 181; D20/42  
CPC ..... F16M 13/02; F16M 11/10; F16M 11/04;  
F16M 11/24; F16M 11/2014; F16M  
2200/08; F16M 11/2092; F16M 11/18;  
F16M 11/08; F16M 13/00; F16M  
2200/063; F16M 2200/065; F16M  
11/041; F16M 11/045; F16M 11/105;  
F16M 11/12; F16M 11/22; F16M  
2200/061; F16M 11/00; F16M 11/2064;

F16M 11/28; F16M 13/005; F16M  
2200/041; F16M 2200/048; F16M  
2200/068; F16M 11/043; F16M 11/046;  
F16M 11/048; F16M 11/126; F16M  
2200/024; F16M 2200/025; F16M  
2200/028; A47F 5/101; A47F 1/128;  
A47F 5/0006; A47F 5/0068; G09F 7/18

See application file for complete search history.

(56) **References Cited**

U.S. PATENT DOCUMENTS

D168,074 S \* 10/1952 Symington ..... D8/354  
D257,665 S \* 12/1980 Young ..... D8/367  
D408,721 S \* 4/1999 Sartini ..... D8/363  
D408,722 S \* 4/1999 Sartini ..... D8/363  
D492,187 S \* 6/2004 Mottini ..... D8/354  
D495,588 S \* 9/2004 Wurdack ..... D8/367

(Continued)

*Primary Examiner* — Manpreet S Matharu

*Assistant Examiner* — Eliza Z Bennett-Hattan

(74) *Attorney, Agent, or Firm* — Birch, Stewart, Kolasch & Birch, LLP

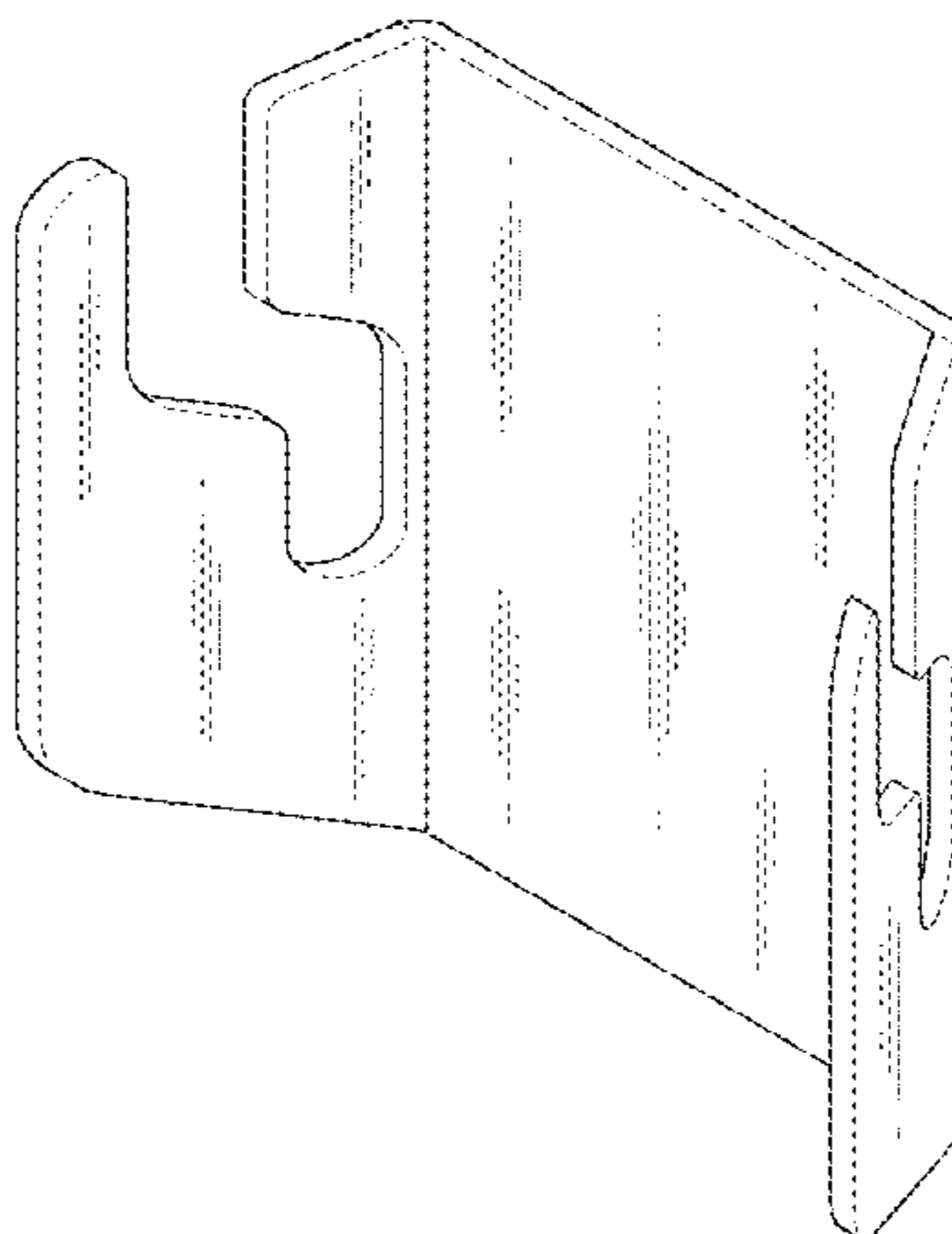
(57) **CLAIM**

The ornamental design for bracket for television receiver, as shown and described.

**DESCRIPTION**

- 1. Bracket for television receiver
- 1.1 : Perspective
- 1.2 : Front
- 1.3 : Back
- 1.4 : Left
- 1.5 : Right
- 1.6 : Top
- 1.7 : Bottom
- 1.8 : Reference
- 1.9 : Reference

(Continued)



The broken line showing in the figures is included for the purpose of illustrating environment and forms no part of the claimed design.

**1 Claim, 9 Drawing Sheets**

(56)

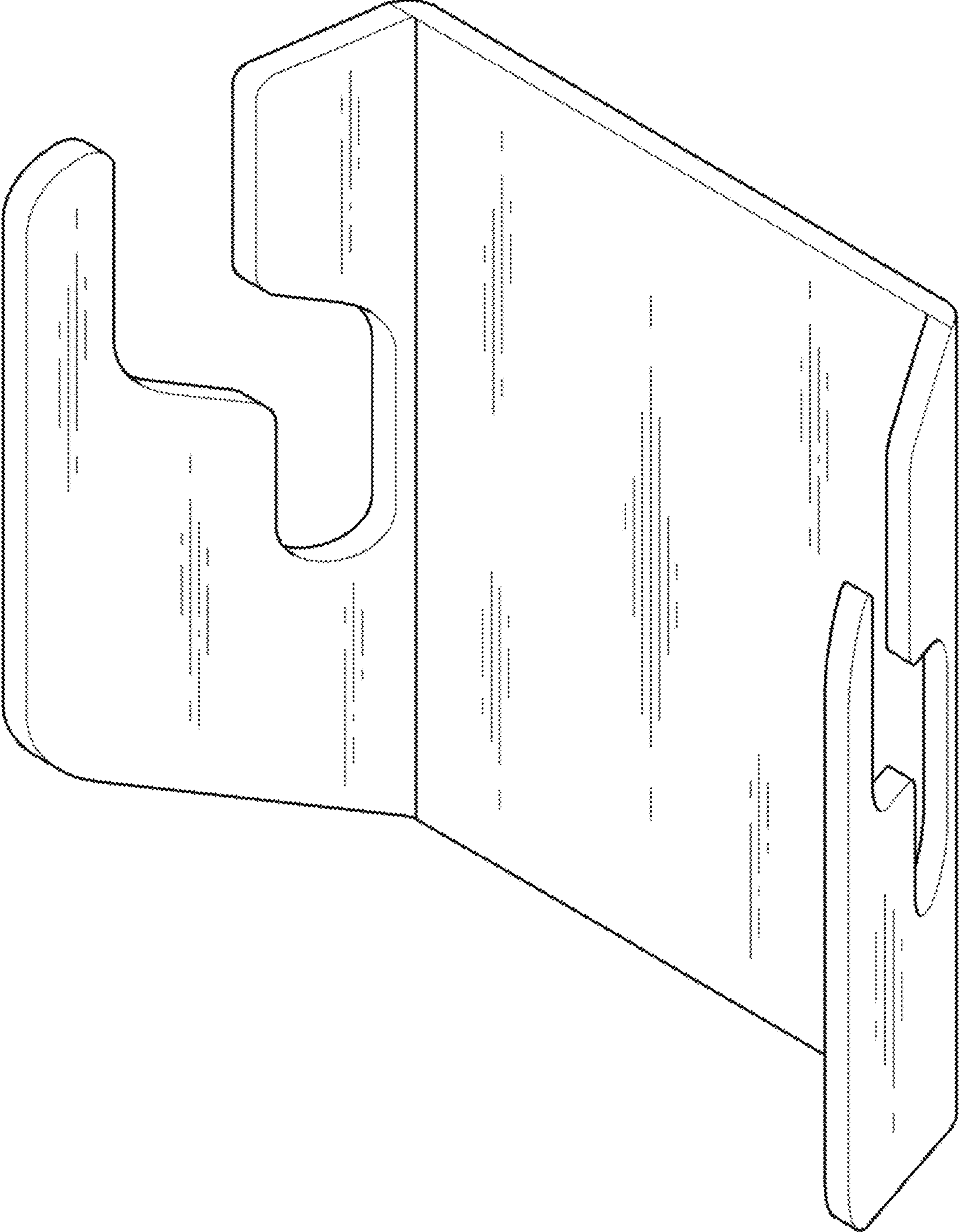
**References Cited**

U.S. PATENT DOCUMENTS

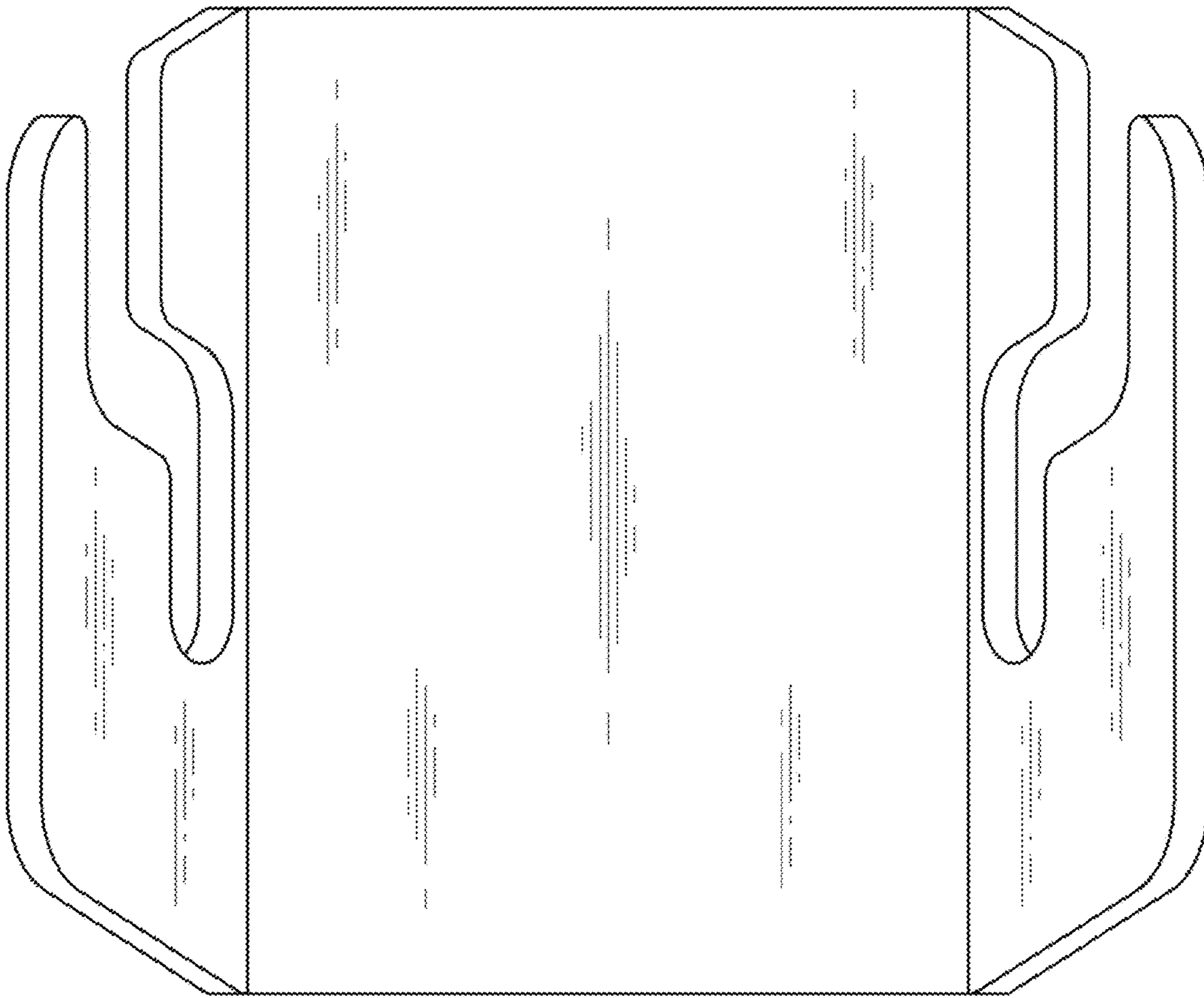
D507,959 S *	8/2005	Mottini .....	D8/354
D550,540 S *	9/2007	Nawrocki .....	D8/354
D567,638 S *	4/2008	Rieder .....	D8/371
D635,449 S *	4/2011	Robinson .....	D8/366
D698,628 S *	2/2014	Stanley .....	D8/367
D762,777 S *	8/2016	Szucs .....	D20/42
D802,402 S *	11/2017	Hintze .....	D8/367

\* cited by examiner

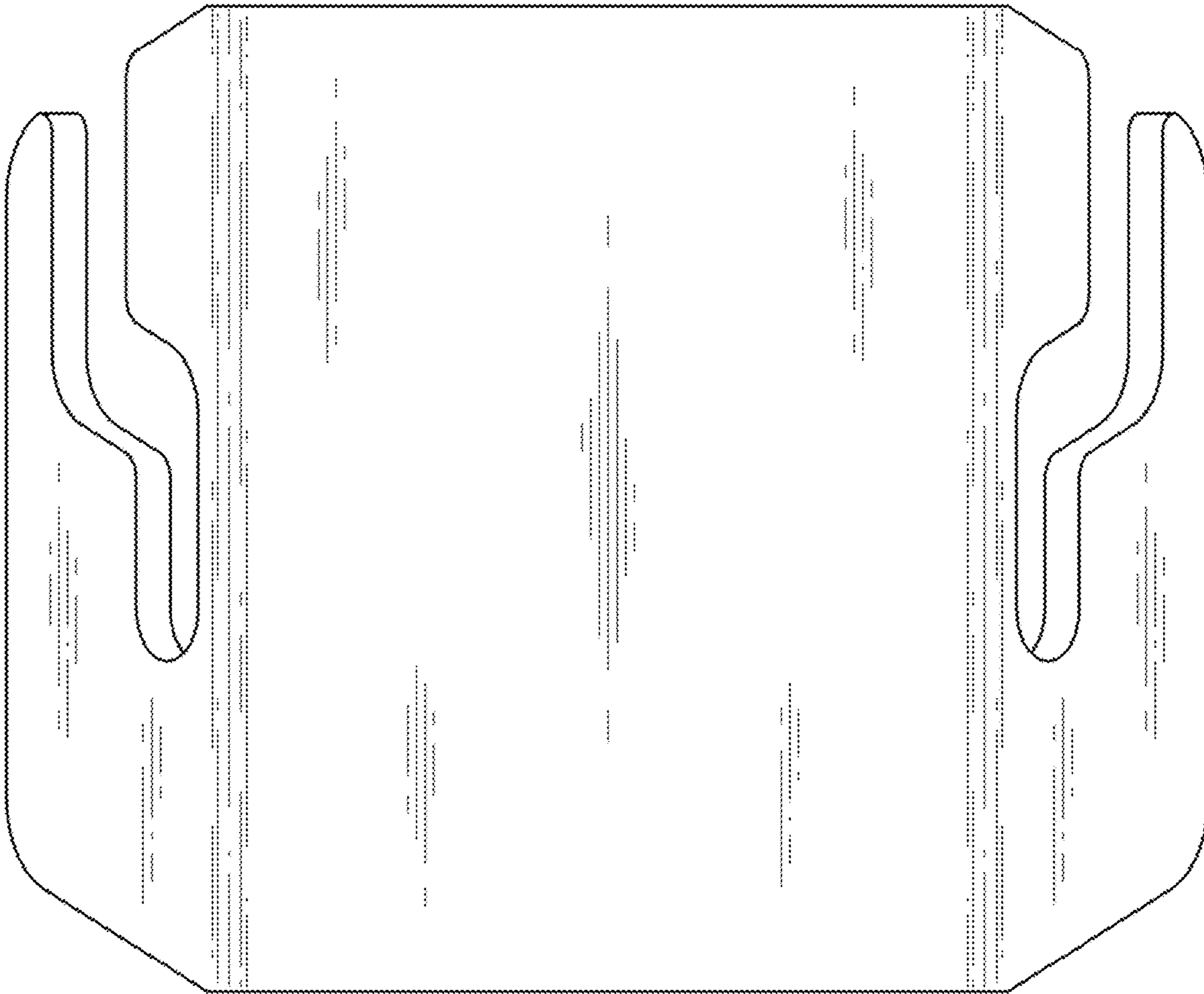
1.1



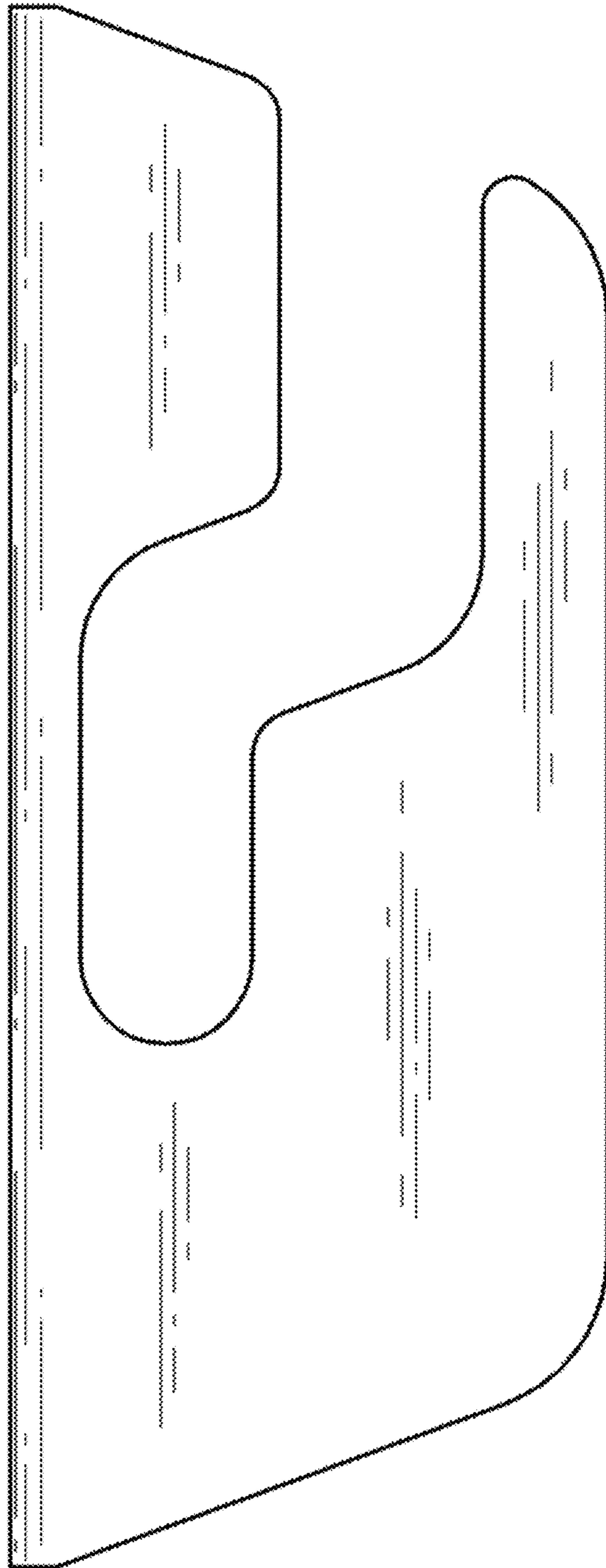
1.2



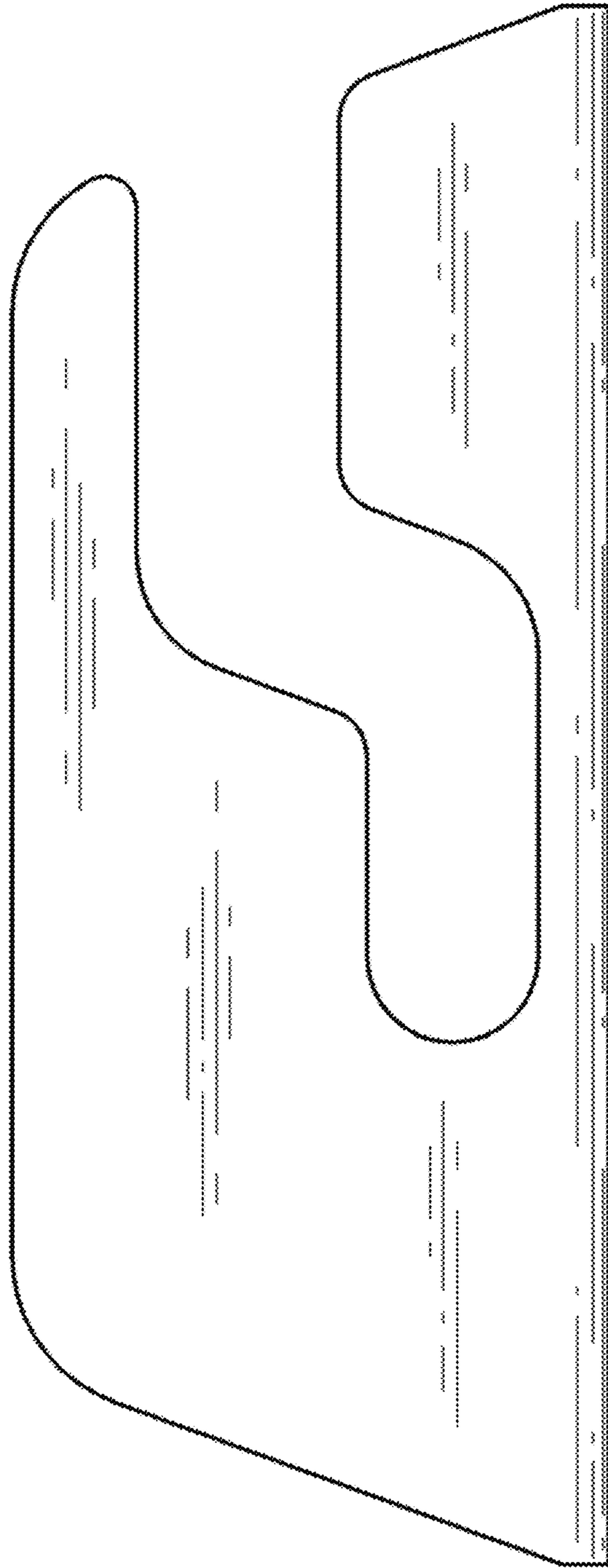
1.3



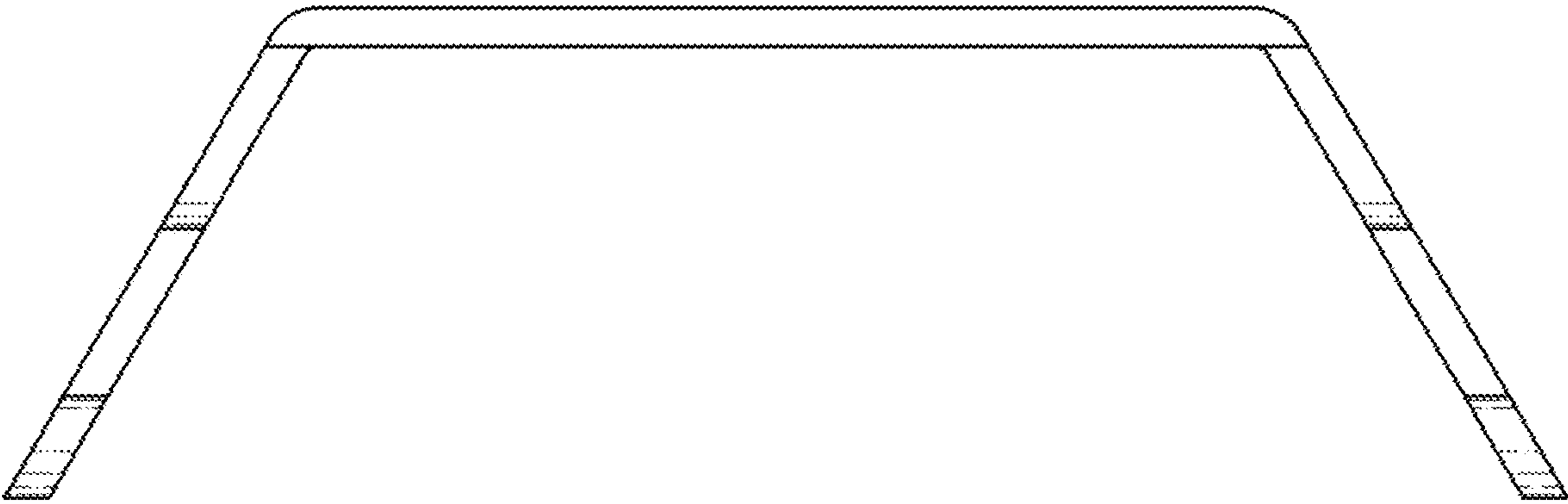
1.4



1.5



1.6

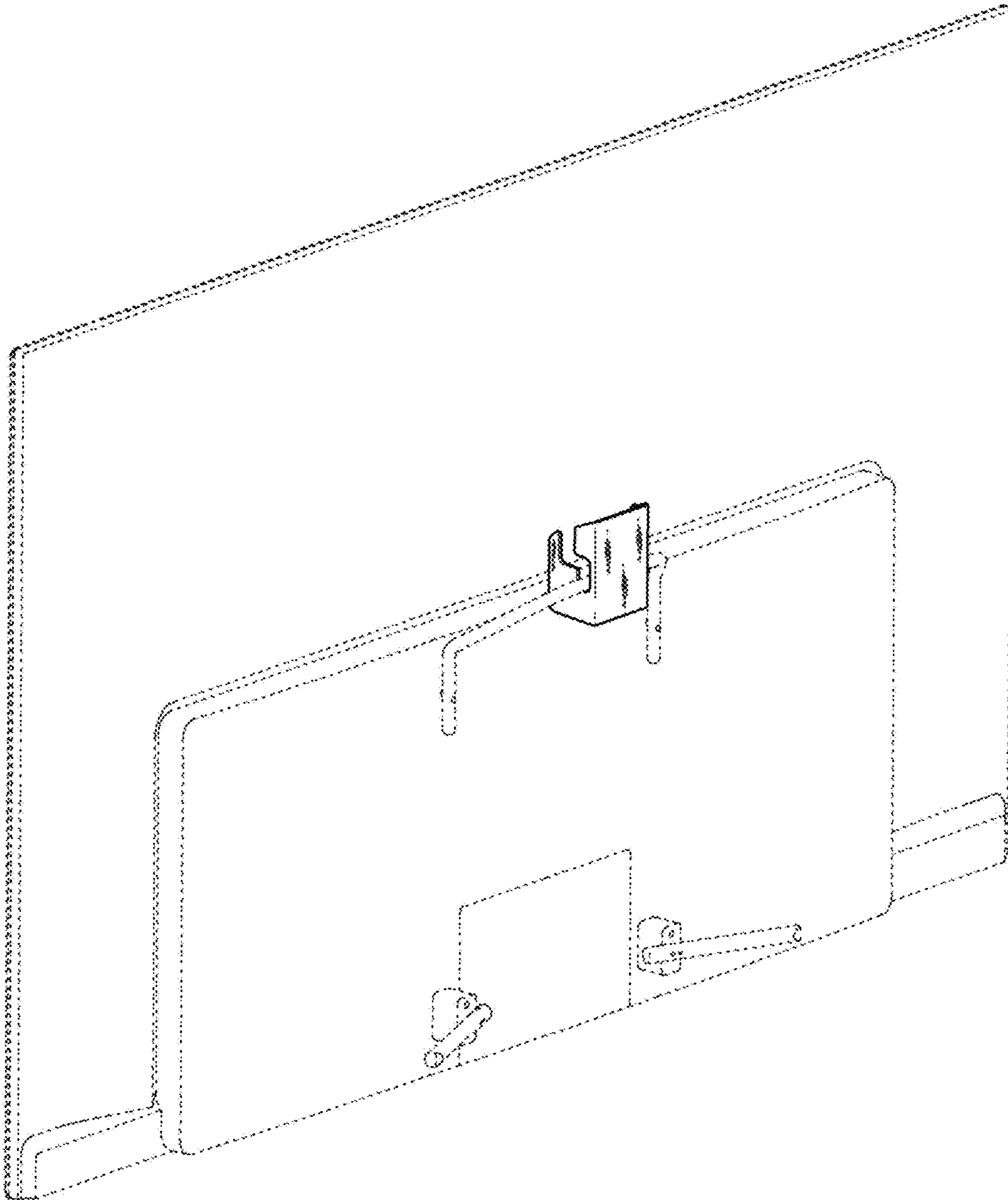




1.7



1.8



1.9

