



US00D824244S

(12) **United States Design Patent**
Rothbaum et al.

(10) **Patent No.:** **US D824,244 S**
(45) **Date of Patent:** **** Jul. 31, 2018**

(54) **STRAP FOR CORD MANAGEMENT**

(71) Applicant: **CJD LLC**, New York, NY (US)

(72) Inventors: **Wayne Philip Rothbaum**, New York, NY (US); **Allison S. Conner**, Brooklyn, NY (US); **Robert B. Curtis**, San Francisco, CA (US); **Jonas K. Damon**, New York, NY (US); **Daniel A. Sanchez**, Brooklyn, NY (US)

(73) Assignee: **CJD LLC**, New York, NY (US)

(**) Term: **15 Years**

(21) Appl. No.: **29/628,762**

(22) Filed: **Dec. 7, 2017**

Related U.S. Application Data

(63) Continuation of application No. 29/597,137, filed on Mar. 14, 2017, now Pat. No. Des. 809,903, which is (Continued)

(51) **LOC (11) Cl.** **09-06**

(52) **U.S. Cl.**
USPC **D8/356**

(58) **Field of Classification Search**
USPC D8/356, 354, 349; 206/233; 248/51
(Continued)

(56) **References Cited**

U.S. PATENT DOCUMENTS

535,502 A 3/1895 Knighton
D39,960 S * 5/1909 Mussillon D8/499
(Continued)

FOREIGN PATENT DOCUMENTS

CN 201352845 Y 11/2009
GB 2420552 A 5/2006
(Continued)

OTHER PUBLICATIONS

CJD LLC, International Search Report and Written Opinion, PCT/US2010/031087, dated Apr. 29, 2011, 24 pgs.

(Continued)

Primary Examiner — Cynthia Underwood
(74) *Attorney, Agent, or Firm* — Morgan, Lewis & Bockius LLP

(57) **CLAIM**

The ornamental design for a strap for cord management, as shown and described.

DESCRIPTION

The present application relates to U.S. utility patent application Ser. No. 12/761,326, filed Apr. 15, 2010, U.S. design patent application Ser. No. 29/368,746, filed Aug. 27, 2010, and U.S. design patent application Ser. No. 29/368,754, filed Aug. 27, 2010.

FIG. 1 is a perspective view of our new design of a strap for cord management.

FIG. 2 is a top view of FIG. 1.

FIG. 3 is a bottom view of FIG. 1.

FIG. 4 is a view of a first side of FIG. 1.

FIG. 5 is a view of a second side of FIG. 1.

FIG. 6 is a view of a third side of FIG. 1.

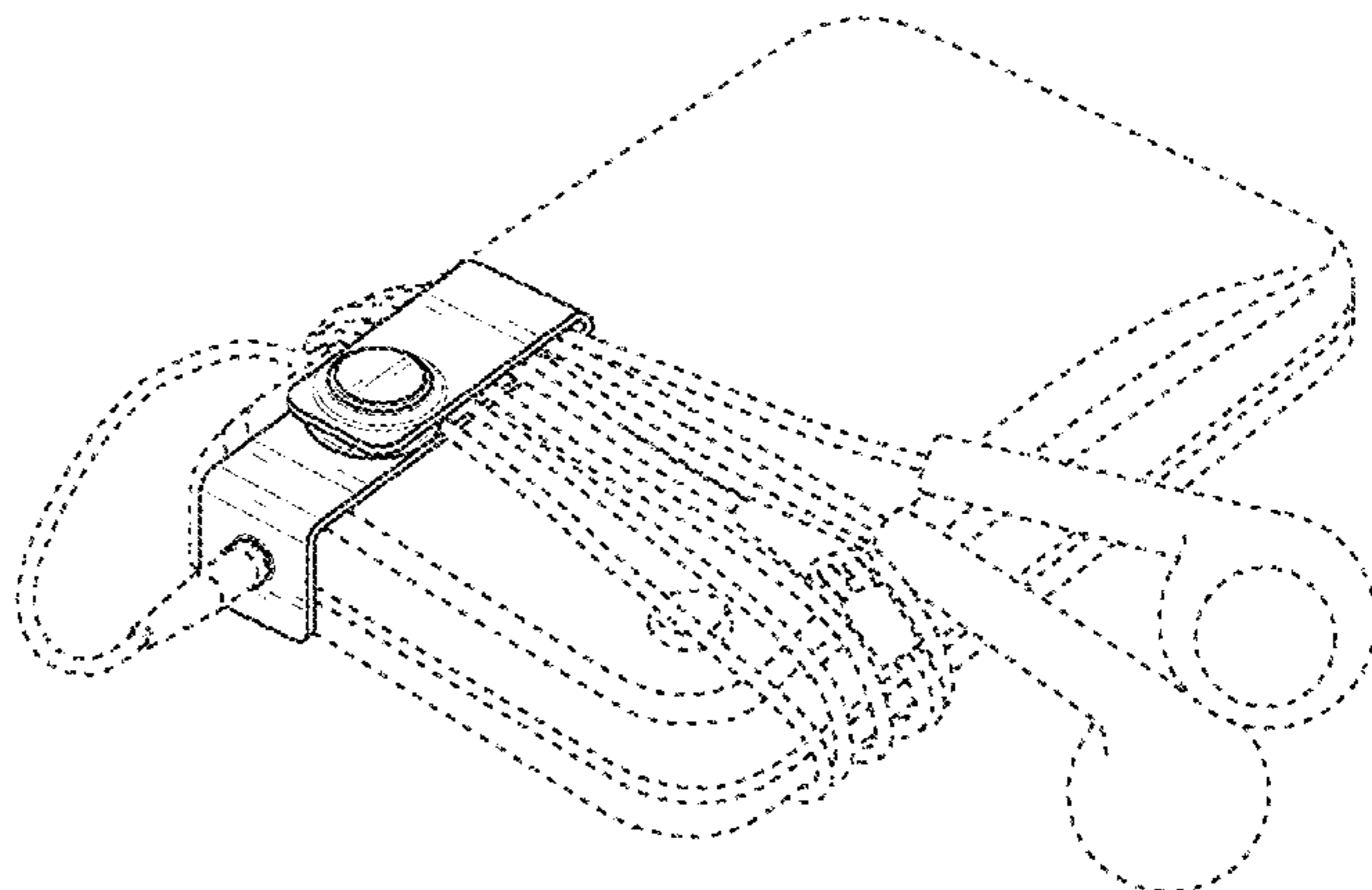
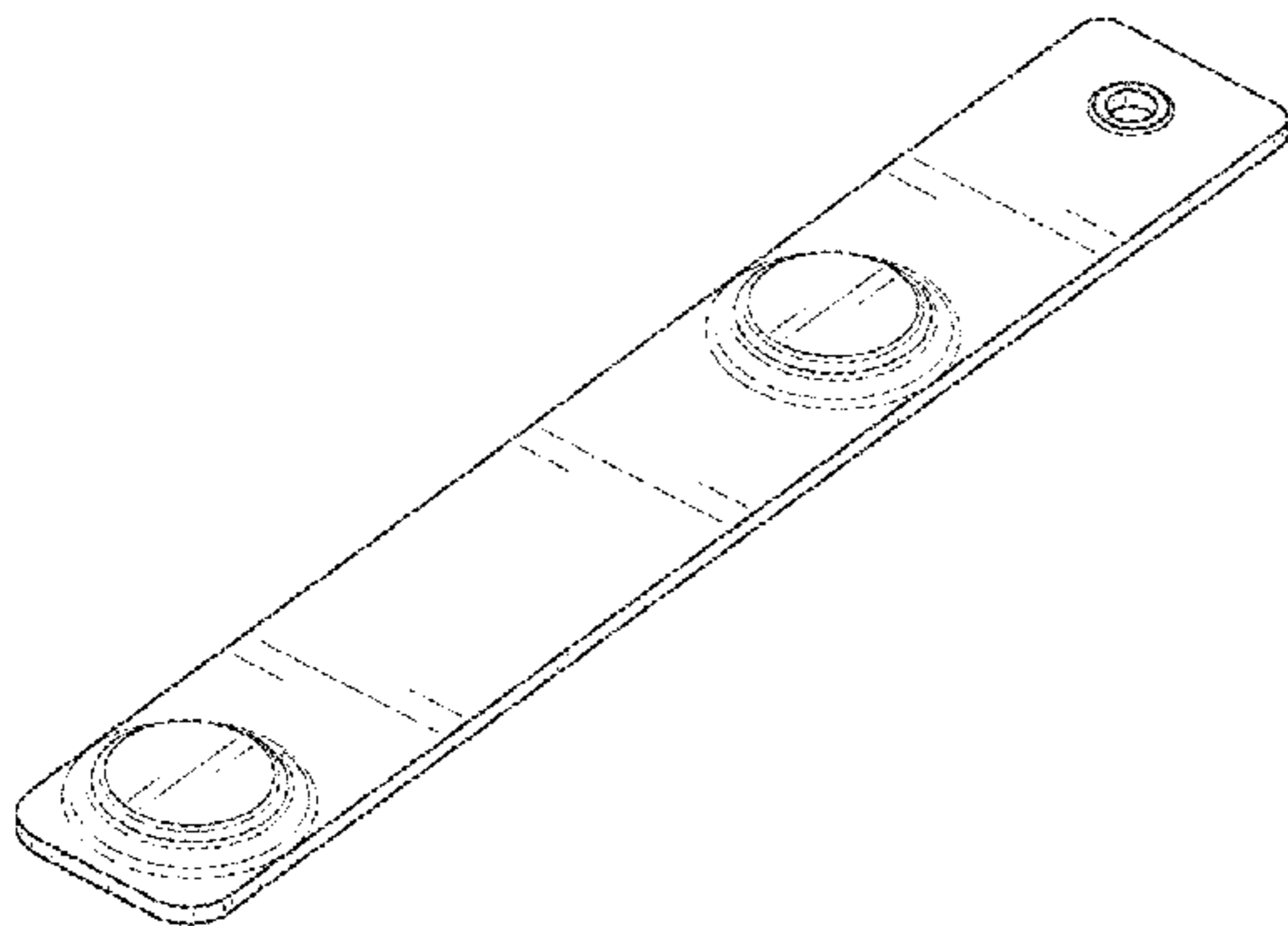
FIG. 7 is a view of a fourth side of FIG. 1.

FIG. 8 is a perspective view of FIG. 1 shown in a configuration of use in an environment of use; and,

FIG. 9 is another perspective view of FIG. 1 shown in another configuration of use in an environment of use.

The broken lines showing elements of the strap for cord management and an environment of use are included for illustrative purposes only and form no part of the claimed design.

1 Claim, 6 Drawing Sheets



Related U.S. Application Data

a continuation of application No. 29/546,848, filed on Nov. 25, 2015, now Pat. No. Des. 781,686, which is a continuation of application No. 29/519,750, filed on Mar. 6, 2015, now Pat. No. Des. 747,178, which is a continuation of application No. 29/491,146, filed on May 16, 2014, now Pat. No. Des. 729,616, which is a continuation of application No. 29/458,903, filed on Jun. 24, 2013, now Pat. No. Des. 708,505, which is a continuation of application No. 29/428,997, filed on Aug. 6, 2012, now Pat. No. Des. 685,254, which is a continuation of application No. 29/368,755, filed on Aug. 27, 2010, now Pat. No. Des. 667,291.

- (58) **Field of Classification Search**
 CPC B65H 57/16; E02D 5/803; B63B 21/045; B63B 59/02; B60D 1/18; B60P 1/103; B60P 7/0823; Y10T 24/3918; A62B 35/0081; A44B 13/0029; H04R 1/1033
 See application file for complete search history.

- (56) **References Cited**

U.S. PATENT DOCUMENTS

1,544,386 A * 6/1925 Fridolph A41F 15/002
 2/73
 1,675,421 A 7/1928 Pettee et al.
 1,722,498 A 7/1929 Fridolph
 2,212,766 A 8/1940 Andelenis
 2,373,328 A * 4/1945 Morehouse H02G 7/10
 174/135
 2,826,796 A 3/1958 Davis
 2,871,592 A * 2/1959 Polzin G09F 3/005
 24/574.1
 2,880,008 A 3/1959 Stoner
 2,929,596 A 3/1960 Ewing
 2,965,939 A 12/1960 Olsson
 2,985,480 A 5/1961 Otley
 3,041,697 A 7/1962 Budreck
 3,086,529 A 4/1963 Munz et al.
 D206,401 S 12/1966 Fisher
 3,529,328 A 9/1970 Davison
 D224,960 S 10/1972 Wilson
 3,919,740 A 11/1975 Scherb
 3,994,048 A 11/1976 Rosenthal
 D259,242 S * 5/1981 Gilb D8/373
 4,455,719 A 6/1984 Morita
 4,480,361 A 11/1984 Morita
 4,597,206 A 7/1986 Benson
 4,736,494 A 4/1988 Marchesi
 4,815,172 A 3/1989 Ward
 4,920,235 A 4/1990 Yamaguchi
 4,939,818 A 7/1990 Hahn
 4,940,427 A 7/1990 Pearson
 4,957,232 A * 9/1990 Sprague A45F 5/02
 224/249
 4,963,410 A 10/1990 Bryant
 5,024,402 A * 6/1991 Hamel B23B 45/02
 24/16 PB
 5,048,158 A 9/1991 Koerner
 5,086,543 A 2/1992 Mitchell
 5,130,899 A 7/1992 Larkin et al.
 5,136,759 A 8/1992 Armour, II
 5,142,743 A 9/1992 Hahn
 5,142,746 A 9/1992 Morita
 5,168,603 A 12/1992 Reed
 5,185,499 A 2/1993 Yahraus
 5,274,889 A 1/1994 Morita
 5,289,619 A 3/1994 Pileggi
 D353,343 S 12/1994 Eberhardt
 D353,990 S * 1/1995 Alfreds D8/356
 5,392,497 A 2/1995 Defner
 D357,739 S 4/1995 Stewart et al.
 5,402,971 A 4/1995 Bower

D362,176 S 9/1995 Solbeck
 5,473,799 A 12/1995 Aoki
 5,517,838 A * 5/1996 Moore E05B 13/002
 24/16 PB
 5,518,214 A 5/1996 Spencer
 D373,750 S 9/1996 Gunderson
 5,572,773 A 11/1996 Bauer
 5,584,452 A 12/1996 Koike
 5,586,760 A 12/1996 Hauter
 5,595,014 A 1/1997 Moore
 5,604,961 A 2/1997 Cole
 D378,578 S 3/1997 Eberhardt
 D381,023 S 7/1997 Accardo
 5,647,101 A 7/1997 Morita
 D381,888 S 8/1997 Gonda et al.
 D384,669 S 10/1997 Collier
 5,682,653 A 11/1997 Berglof et al.
 D390,447 S 2/1998 Colen, Jr.
 5,722,126 A 3/1998 Reiter
 5,732,445 A 3/1998 Stodolka et al.
 5,732,451 A 3/1998 Mars
 5,745,958 A 5/1998 Kaldor
 5,802,676 A * 9/1998 Tolan A44B 18/00
 24/16 PB
 5,806,346 A 9/1998 Schlinger et al.
 D400,429 S 11/1998 Morita
 D401,137 S 11/1998 Boelling
 5,845,374 A * 12/1998 Briggs A63B 71/146
 2/161.2
 D405,352 S 2/1999 Rosenbauer
 5,933,926 A 8/1999 Reiter
 5,974,634 A 11/1999 Eisenpresser
 5,983,464 A 11/1999 Bauer
 6,006,455 A 12/1999 Miller
 6,010,105 A 1/2000 Davis
 6,038,743 A 3/2000 Chapman
 6,044,525 A 4/2000 Sastre et al.
 6,085,393 A * 7/2000 Tsui A44B 99/00
 24/3.12
 6,087,594 A 7/2000 Chou
 6,092,444 A * 7/2000 Hsiao B25B 13/48
 7/168
 6,131,200 A * 10/2000 McNamara A41D 25/003
 2/144
 6,170,088 B1 1/2001 Tate
 6,205,623 B1 3/2001 Shepard et al.
 6,279,804 B1 * 8/2001 Gregg A45F 5/02
 2/255
 6,301,754 B1 10/2001 Grunberger et al.
 6,317,933 B1 11/2001 Suenaga
 6,344,021 B1 2/2002 Juster et al.
 D454,235 S 3/2002 Kaplan
 6,405,983 B1 6/2002 Goj
 6,427,290 B1 8/2002 Liu
 D462,255 S 9/2002 Aoki
 D464,562 S 10/2002 Reiter
 6,467,132 B1 * 10/2002 Robley B65D 63/1018
 24/16 PB
 6,473,946 B1 11/2002 Cheng
 6,474,520 B1 11/2002 Finkelstein
 6,490,767 B2 * 12/2002 Haiduk B62J 7/08
 24/16 PB
 6,499,199 B2 12/2002 Frazier
 6,523,229 B2 * 2/2003 Severson B65D 63/1018
 24/16 PB
 D471,006 S 3/2003 French
 D471,231 S 3/2003 Mayo
 6,581,885 B2 * 6/2003 Polad F16L 3/137
 24/16 PB
 6,588,074 B2 7/2003 Galkiewicz et al.
 6,671,986 B2 1/2004 Reeves
 6,676,674 B1 * 1/2004 Dudai A61B 17/12
 606/151
 6,701,580 B1 * 3/2004 Bandyopadhyay B65D 63/10
 24/16 R
 D488,374 S 4/2004 Hussaini et al.
 D491,046 S 6/2004 Johnson

US D824,244 S

(56)

References Cited

U.S. PATENT DOCUMENTS

6,763,554	B1 *	7/2004	Torrey B65D 63/10	D684,845	S	6/2013	Wood	
				24/17 AP	8,453,899	B1	6/2013	Calkin	
D495,972	S *	9/2004	Pettingill D11/220	8,458,864	B1 *	6/2013	Patton A61F 5/3792
6,880,270	B2	4/2005	Prather						24/16 R
D505,785	S *	6/2005	Woody D3/215	D693,992	S *	11/2013	Dinunzio D11/220
D511,450	S *	11/2005	Seth D20/22	D694,096	S	11/2013	Defrancisci	
6,978,521	B2	12/2005	Morita		8,590,823	B2	11/2013	Rothbaum et al.	
6,992,253	B1	1/2006	Spellman et al.		8,615,849	B2	12/2013	Rothbaum et al.	
7,025,509	B2	4/2006	Martin		D707,831	S	6/2014	Klutts	
7,039,958	B2 *	5/2006	Henricksen A41F 19/005	D710,969	S	8/2014	Bradford et al.	
				2/126	D712,295	S *	9/2014	Ennis D11/3
7,080,430	B2	7/2006	Wemmer		D717,132	S	11/2014	Van Dyke	
7,096,544	B2 *	8/2006	Lusardi A45F 5/12	D718,170	S	11/2014	Aumiller et al.	
				24/306	8,910,347	B1	12/2014	Wilcox	
7,213,278	B2	5/2007	Peterson et al.		D729,045	S *	5/2015	Cavanaugh D8/356
7,222,796	B2	5/2007	Taras		D732,933	S *	6/2015	Jansen D8/356
D543,833	S *	6/2007	Folk D8/349	D733,525	S *	7/2015	Petzl D8/349
7,334,354	B2	2/2008	Foxen et al.		D740,106	S *	10/2015	Cooper D8/356
D566,526	S	4/2008	Robbins, III et al.		9,340,341	B2 *	5/2016	Farrell B65D 63/14
D567,630	S	4/2008	Brassard		9,445,178	B2	9/2016	Rothbaum et al.	
D567,631	S	4/2008	Brassard		9,445,181	B1	9/2016	Atwater	
7,356,888	B2 *	4/2008	Chao A45F 5/00	9,550,550	B1 *	1/2017	Housman B63B 27/146
				24/306	D794,490	S *	8/2017	Lindgren D11/3
D572,156	S	7/2008	Payne		D811,859	S *	3/2018	Orser D8/356
D580,257	S	11/2008	Squyers		D813,016	S *	3/2018	Deneau D8/356
7,448,689	B2	11/2008	Carter et al.		2001/0013277	A1 *	8/2001	Galkiewicz A44B 18/0053
7,516,591	B2	4/2009	Wolner et al.						100/2
7,543,359	B2	6/2009	Moughelbay et al.		2001/0035242	A1	11/2001	Hughs et al.	
D597,514	S	8/2009	Gencarella et al.		2002/0033271	A1	3/2002	Fritschle et al.	
D599,196	S	9/2009	Ruffin et al.		2002/0065115	A1	5/2002	Lindholm	
7,624,480	B2 *	12/2009	Coronel A61M 25/02	2002/0073516	A1	6/2002	Behar	
				128/DIG. 15	2002/0078536	A1	6/2002	Martin et al.	
7,640,636	B2	1/2010	Clark		2002/0112323	A1	8/2002	Nire	
D611,317	S	3/2010	McGrath et al.		2002/0139823	A1	10/2002	Johnson	
D613,137	S	4/2010	Wieberdink et al.		2003/0110596	A1 *	6/2003	Graham B65D 63/1018
7,703,577	B1	4/2010	Zach et al.						24/16 R
7,712,696	B2	5/2010	Loh		2003/0167605	A1 *	9/2003	Schultz A44B 18/00
D617,668	S	6/2010	Lodi						24/306
7,731,069	B2 *	6/2010	Lopreiato B65G 7/12	2004/0003487	A1 *	1/2004	Reiter A41F 1/002
				224/157					24/303
D619,883	S	7/2010	Hansort		2004/0167456	A1 *	8/2004	Kingsford A61B 5/02233
D619,884	S	7/2010	Hansort						602/48
D624,378	S	9/2010	Wysopal		2005/0016760	A1	1/2005	Vasichek	
7,793,892	B1	9/2010	Bowen et al.		2005/0025329	A1	2/2005	Lee	
D625,579	S	10/2010	Lee et al.		2005/0067826	A1	3/2005	McFalls et al.	
D628,876	S	12/2010	Pierce		2005/0251967	A1 *	11/2005	McNeill B65D 63/1027
D631,327	S	1/2011	Maraia						24/16 PB
D631,328	S	1/2011	Chen		2005/0255898	A1	11/2005	Huang	
D631,780	S	2/2011	Levy		2006/0008106	A1	1/2006	Harper	
7,914,475	B2	3/2011	Wyatt et al.		2006/0032032	A1 *	2/2006	Cheng F16L 3/23
D636,659	S	4/2011	Rothbaum et al.						24/306
D639,963	S	6/2011	Kase		2006/0121962	A1	6/2006	Kohli	
D644,138	S	8/2011	Webb		2006/0178041	A1	8/2006	Lund et al.	
8,002,159	B2	8/2011	Cragg		2006/0186150	A1	8/2006	Willows et al.	
D645,333	S	9/2011	Rothbaum et al.		2006/0206986	A1	9/2006	Straiton	
D652,756	S *	1/2012	Lans D11/3	2007/0086617	A1	4/2007	Loh	
8,103,352	B2	1/2012	Fried et al.		2007/0152008	A1	7/2007	Case	
D654,052	S	2/2012	Lee et al.		2008/0041897	A1	2/2008	Malhotra	
D658,484	S	5/2012	Wall		2008/0083096	A1	4/2008	Wilkinson	
D660,740	S *	5/2012	Cullen D11/3	2008/0149679	A1	6/2008	Case et al.	
D662,087	S *	6/2012	Peller D14/205	2008/0164157	A1	7/2008	Sween et al.	
8,203,077	B2	6/2012	Honeycutt et al.		2009/0013504	A1	1/2009	Crespo	
D664,831	S	8/2012	Scherer		2009/0016559	A1	1/2009	Cleary	
D666,076	S *	8/2012	Muratore D8/349	2009/0106948	A1 *	4/2009	Lopez B65D 63/1018
D666,896	S	9/2012	Pinholster, Jr. et al.						24/16 PB
D667,043	S *	9/2012	Couch, III D16/237	2009/0314515	A1	12/2009	Bevirt et al.	
8,261,416	B2	9/2012	Rothbaum et al.		2012/0018250	A1 *	1/2012	Smith A63B 27/00
D675,123	S *	1/2013	Nunez D11/3					182/9
D676,425	S	2/2013	Nishimura et al.		2013/0334385	A1 *	12/2013	Steck A63B 29/024
D676,733	S	2/2013	Zach et al.						248/231.9
8,366,058	B2	2/2013	Tiedemann, Sr.		2014/0182087	A1 *	7/2014	St. Jean B60P 7/0823
D677,652	S	3/2013	Gifford						24/298
8,413,306	B2 *	4/2013	Gallant B29C 43/222					
				24/306					

(56)

References Cited

U.S. PATENT DOCUMENTS

2014/0262864 A1* 9/2014 Rothbaum H01F 7/0263
206/223
2017/0246632 A1* 8/2017 Slepian B01L 3/502746

FOREIGN PATENT DOCUMENTS

JP	63-125493	U	8/1988
JP	11-317995	A	11/1999
JP	2001-169381	A	6/2001
JP	2003-230418	A	8/2003
JP	2003-319484	A	11/2003
JP	2006-081130	A	3/2006
JP	2006-222712	A	8/2006
JP	2009-212918	A	9/2009
KR	20-0301311		1/2003
WO	WO 2004/71056	A1	8/2004

OTHER PUBLICATIONS

Earbud Clips, www.wetjetset.com/store/item/42, printed Jun. 7, 2010, 3 pgs.
Headphone Cable Tidy—Pack of 3—Accessories for PDA, Smartphone . . . , www.proporta.com/F02/PPF02P05.php?t_id=4452&t_mode=des . . . printed Jun. 7, 2010, 2 pgs.
Quogue Capital LLC, International Search Report and Written Opinion, PCT/US2009/067927, dated Jul. 14, 2010, 8 pgs.
Rothbaum, International Search Report and Written Opinion, PCT/US2010/053244, dated Jun. 24, 2011, 22 pgs.
Rothbaum, Notice of Allowance, U.S. Appl. No. 29/368,746, dated Dec. 29, 2010, 8 pgs.
Rothbaum, Notice of Allowance, U.S. Appl. No. 29/368,755, dated May 15, 2012, 8 pgs.
Rothbaum, Notice of Allowance, U.S. Appl. No. 29/388,372, dated Jul. 14, 2011, 5 pgs.
Rothbaum, Notice of Allowance, U.S. Appl. No. 29/401,359, dated Nov. 15, 2012, 7 pgs.
Rothbaum, Notice of Allowance, U.S. Appl. No. 29/401,359, dated Mar. 22, 2013, 12 pgs.
Rothbaum, Notice of Allowance, U.S. Appl. No. 29/401,360, dated Sep. 28, 2012, 5 pgs.
Rothbaum, Notice of Allowance, U.S. Appl. No. 29/401,643, dated Sep. 18, 2012, 8 pgs.
Rothbaum, Notice of Allowance, U.S. Appl. No. 29/401,930, dated Nov. 23, 2012, 7 pgs.
Rothbaum, Notice of Allowance, U.S. Appl. No. 29/428,997, dated Feb. 27, 2013, 7 pgs.
Rothbaum, Notice of Allowance, U.S. Appl. No. 29/443,386, dated Aug. 6, 2013, 6 pgs.
Rothbaum, Notice of Allowance, U.S. Appl. No. 29/443,386, dated Nov. 14, 2013, 9 pgs.

Rothbaum, Notice of Allowance, U.S. Appl. No. 29/443,386, dated Feb. 26, 2014, 7 pgs.
Rothbaum, Notice of Allowance, U.S. Appl. No. 29/443,387, dated May 24, 2013, 8 pgs.
Rothbaum, Notice of Allowance, U.S. Appl. No. 29/443,389, dated Aug. 6, 2013, 6 pgs.
Rothbaum, Notice of Allowance, U.S. Appl. No. 29/443,389, dated Nov. 14, 2013, 8 pgs.
Rothbaum, Notice of Allowance, U.S. Appl. No. 29/444,911, dated Jan. 15, 2014, 6 pgs.
Rothbaum, Notice of Allowance, U.S. Appl. No. 29/444,911, dated 2013, 8 pgs.
Rothbaum, Notice of Allowance, U.S. Appl. No. 29/458,903, dated Nov. 4, 2013, 8 pgs.
Rothbaum, Notice of Allowance, U.S. Appl. No. 29/458,903, dated Feb. 19, 2014, 7 pgs.
Rothbaum, Notice of Allowance, U.S. Appl. No. 29/465,282, dated Feb. 14, 2014, 7 pgs.
Rothbaum, Notice of Allowance, U.S. Appl. No. 29/465,282, dated Oct. 25, 2013, 8 pgs.
Rothbaum, Notice of Allowance, U.S. Appl. No. 29/485,515, dated Jan. 7, 2015, 7 pgs.
Rothbaum, Notice of Allowance, U.S. Appl. No. 29/597,142, dated Sep. 29, 2017, 7 pgs.
Rothbaum, Notice of Allowance, U.S. Appl. No. 29/488,367, dated Jan. 9, 2015, 7 pgs.
Rothbaum, Notice of Allowance, U.S. Appl. No. 29/491,146, dated Jan. 8, 2015, 8 pgs.
Rothbaum, Notice of Allowance, U.S. Appl. No. 29/597,147, dated Sep. 20, 2017, 7 pgs.
Rothbaum, Notice of Allowance, U.S. Appl. No. 29/492,497, dated Jan. 7, 2015, 7 pgs.
Rothbaum, Notice of Allowance, U.S. Appl. No. 29/519,750, dated Aug. 26, 2015, 8 pgs.
Rothbaum, Notice of Allowance, U.S. Appl. No. 29/519,753, dated Aug. 26, 2015, 7 pgs.
Rothbaum, Notice of Allowance, U.S. Appl. No. 29/519,754, dated Oct. 21, 2015, 5 pgs.
Rothbaum, Notice of Allowance, U.S. Appl. No. 29/506,796, dated Apr. 6, 2015, 7 pgs.
Rothbaum, Notice of Allowance, U.S. Appl. No. 29/546,848, dated Nov. 2, 2016, 8 pgs.
Rothbaum, Notice of Allowance, U.S. Appl. No. 29/554,007, dated Nov. 3, 2016, 8 pgs.
Rothbaum, Office Action, U.S. Appl. No. 29/368,754, dated Jul. 19, 2011, 5 pgs.
Sumajin smartwrap earphone cord manager, www.ilounge.com, Jun. 7, 2010, 3 pgs.
Use magnetic paper clips to keep cords from tangling, Jun. 7, 2010, 5 pgs.

* cited by examiner

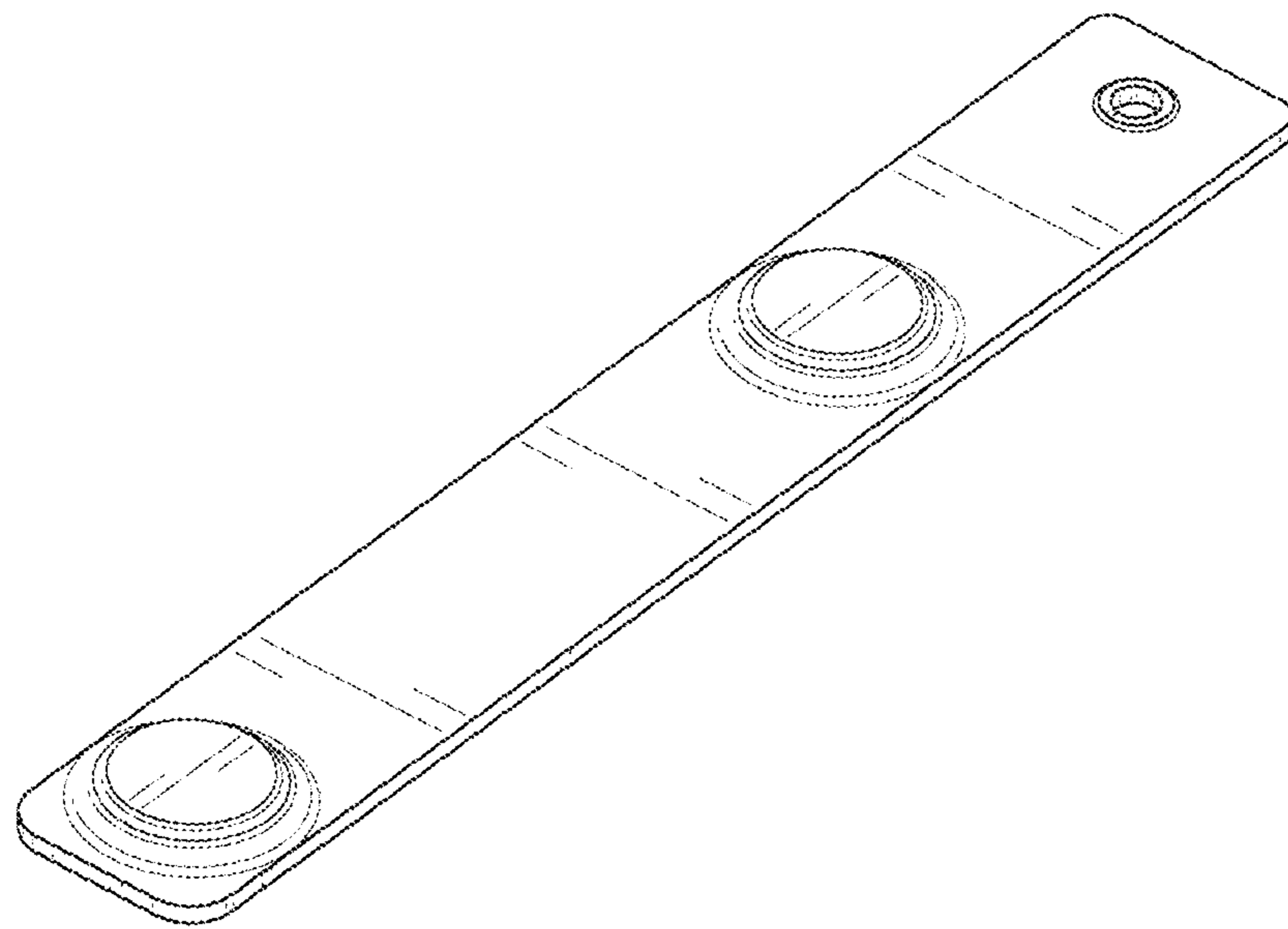


FIG. 1

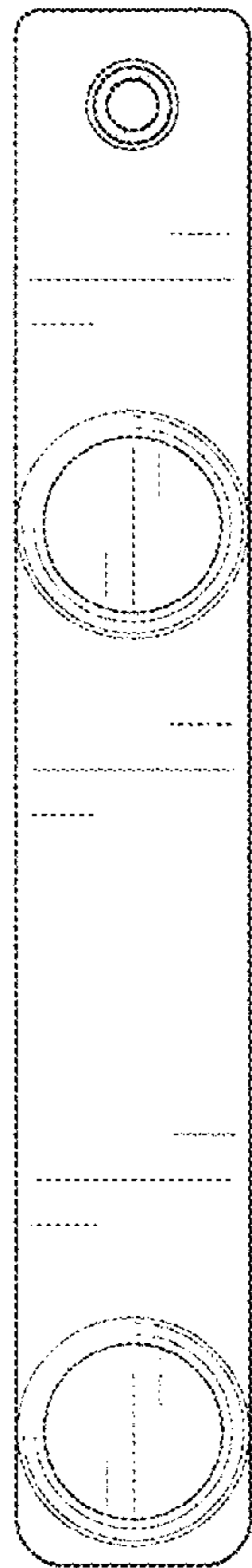


FIG. 2

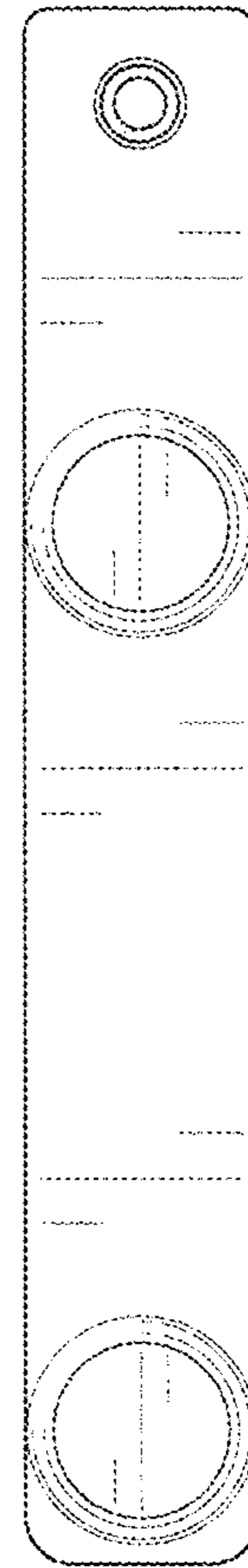


FIG. 3

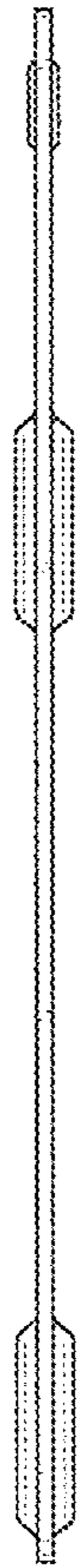


FIG. 4

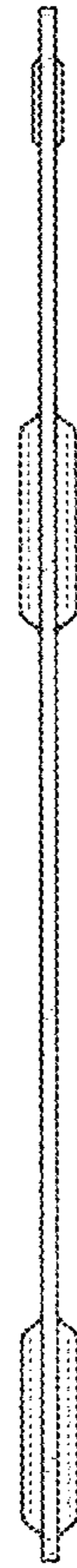


FIG. 5

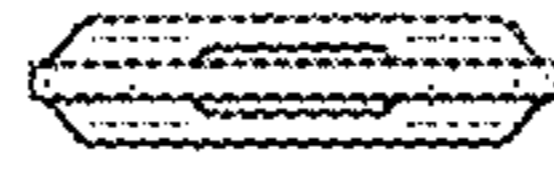


FIG. 6

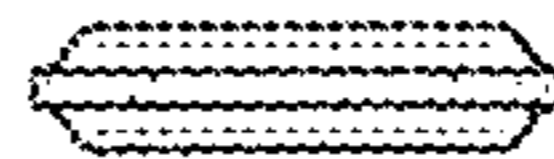


FIG. 7

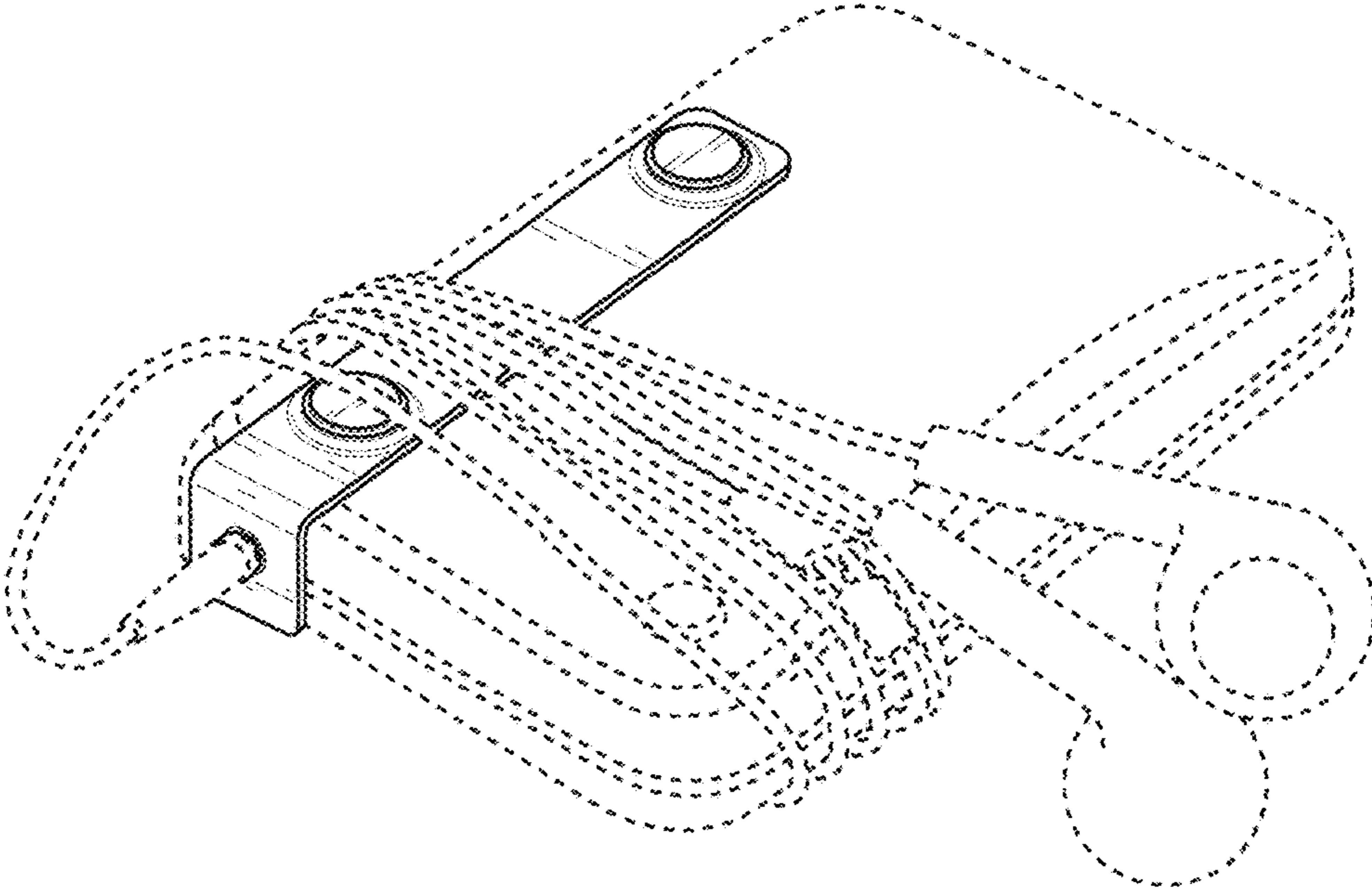


FIG. 8

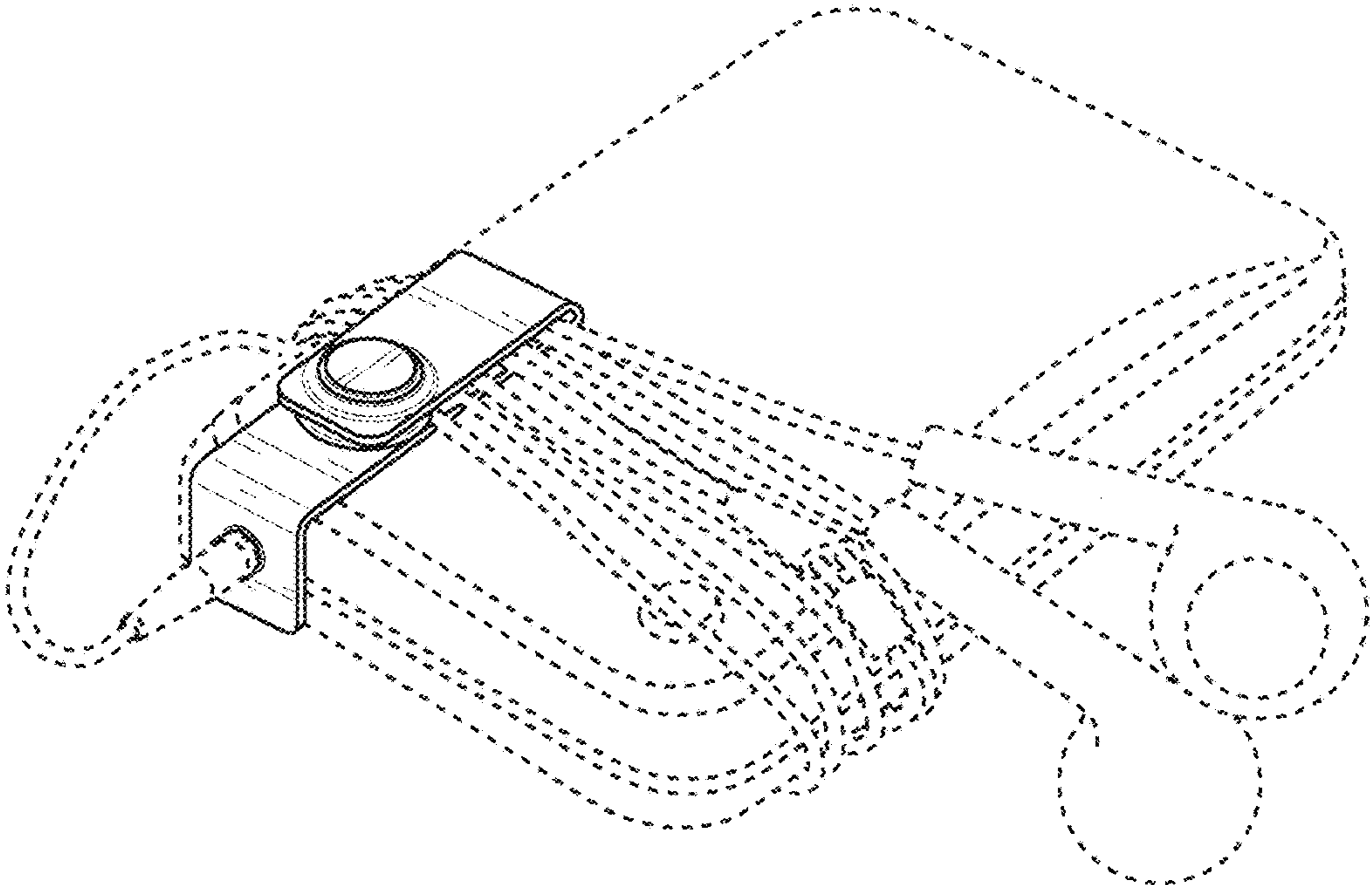


FIG. 9