



US00D824242S

(12) **United States Design Patent**
Ito et al.

(10) **Patent No.:** **US D824,242 S**
(45) **Date of Patent:** **** Jul. 31, 2018**

(54) **SPACER**

(71) Applicant: **SMC CORPORATION**, Tokyo (JP)

(72) Inventors: **Shinichi Ito**, Toride (JP); **Michihiro Hanada**, Tsukubamirai (JP)

(73) Assignee: **SMC CORPORATION**, Tokyo (JP)

(**) Term: **15 Years**

(21) Appl. No.: **29/599,284**

(22) Filed: **Mar. 31, 2017**

(30) **Foreign Application Priority Data**

Oct. 11, 2016 (JP) 2016-021996

(51) **LOC (11) Cl.** **08-05**

(52) **U.S. Cl.**
USPC **D8/354**

(58) **Field of Classification Search**
USPC D8/349, 354, 356, 363, 367, 380, 382,
D8/384, 394, 396; D12/180; D23/354,
D23/385, 386, 499

CPC F15B 21/04; F15B 21/048; F16L 17/06;
F16L 23/04; F16L 23/12

See application file for complete search history.

(56) **References Cited**

U.S. PATENT DOCUMENTS

D279,466 S * 7/1985 Eberhart D12/180
D499,957 S * 12/2004 Friedline D8/380
D525,181 S * 7/2006 Homer D12/180
D545,737 S * 7/2007 Sherman D12/180
D576,932 S * 9/2008 Strehler D12/180
D696,097 S * 12/2013 Wada D8/354
D696,098 S * 12/2013 Wada D8/354
D696,099 S * 12/2013 Wada D8/354
D696,101 S * 12/2013 Wada D8/354
D741,162 S * 10/2015 Leng D8/396
D758,177 S * 6/2016 Riccione D8/396

D770,345 S * 11/2016 Hult D12/180
D770,346 S * 11/2016 Hult D12/180
D772,042 S * 11/2016 Polovin D8/356
D801,156 S * 10/2017 Hung D8/367

FOREIGN PATENT DOCUMENTS

CN 304398606 * 12/2017
JP 1434474 S 2/2012
JP 1544046 S 2/2016
JP 1544422 S 2/2016
JP 1544423 S 2/2016
JP 1544424 S 2/2016
JP D1592127 * 12/2017
JP D1592128 * 12/2017

OTHER PUBLICATIONS

<https://www.smcusa.com/products/Y-00-A-Spacer-Attachment-87777> Retrieved Apr. 11, 2018 (Year: 2018).*

* cited by examiner

Primary Examiner — Susan B Hattan

Assistant Examiner — Leanne D Was-Englehart

(74) *Attorney, Agent, or Firm* — Birch, Stewart, Kolasch & Birch, LLP

(57) **CLAIM**

The ornamental design for a spacer, as shown.

DESCRIPTION

FIG. 1 is a front, top and left side perspective view of a spacer showing our new design;

FIG. 2 is a rear, bottom and right side perspective view thereof;

FIG. 3 is a front view thereof;

FIG. 4 is a rear view thereof;

FIG. 5 is a top plan view thereof;

FIG. 6 is a bottom plan view thereof;

FIG. 7 is a left side view thereof; and,

FIG. 8 is a right side view thereof.

1 Claim, 8 Drawing Sheets

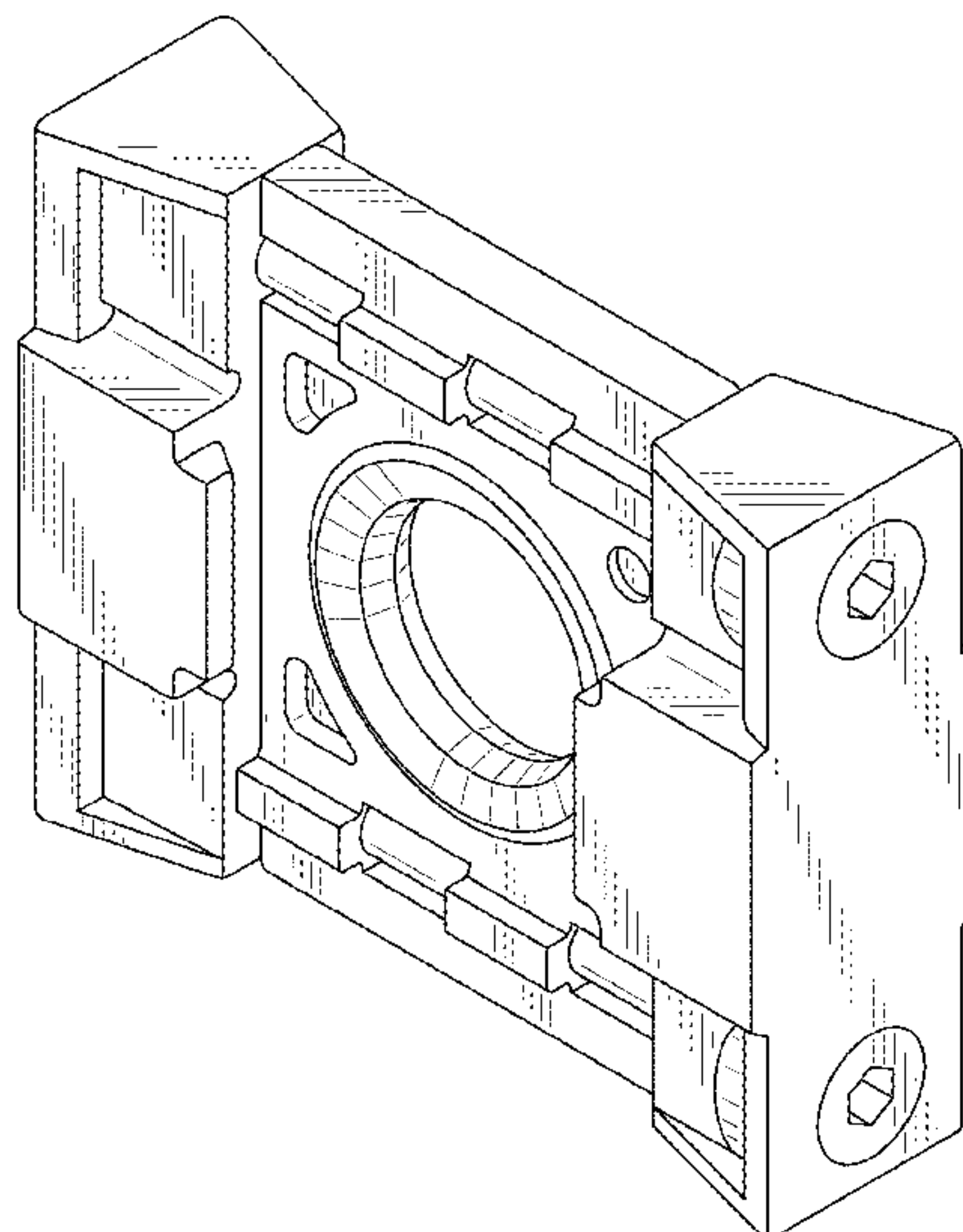


FIG. 1

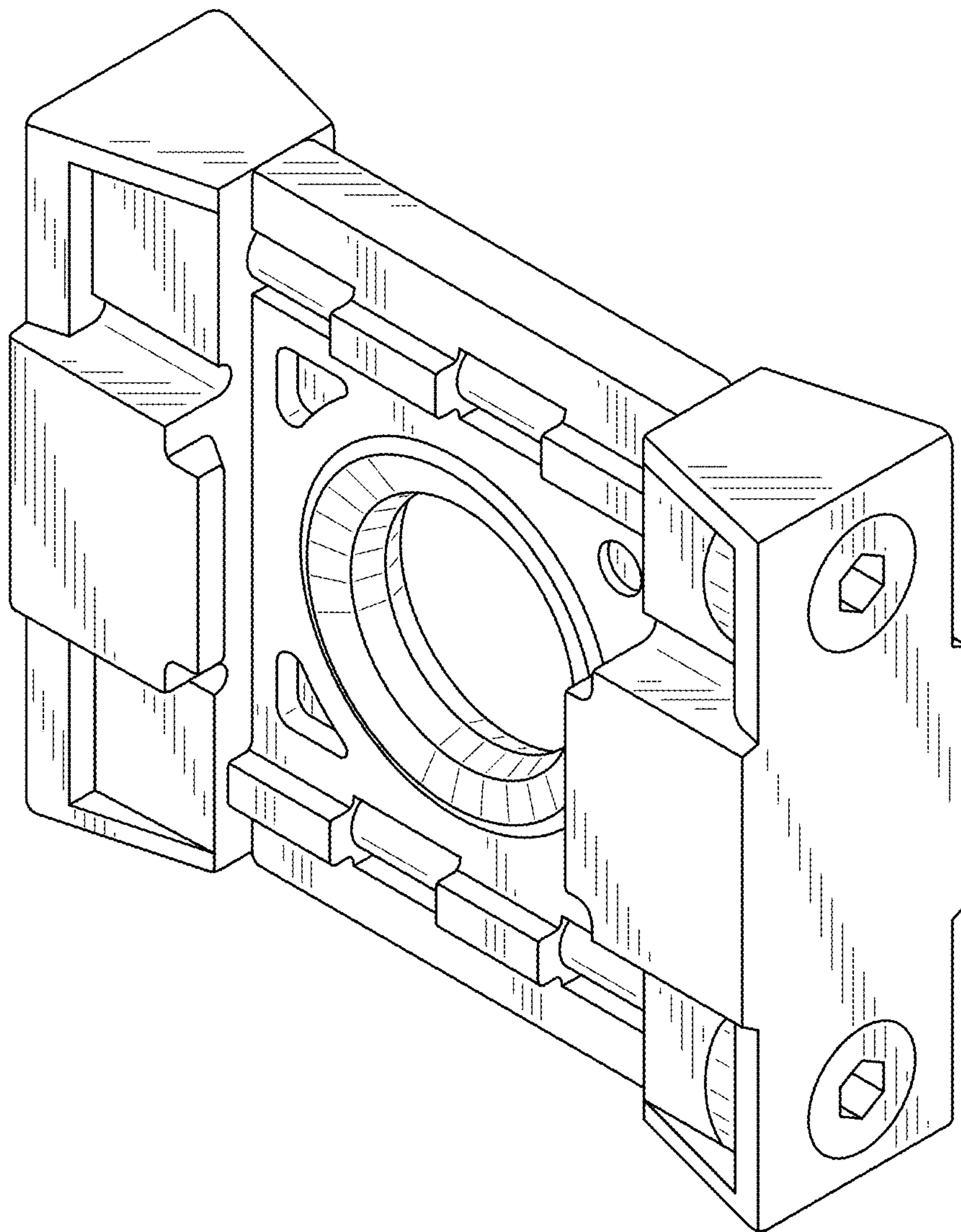


FIG. 2

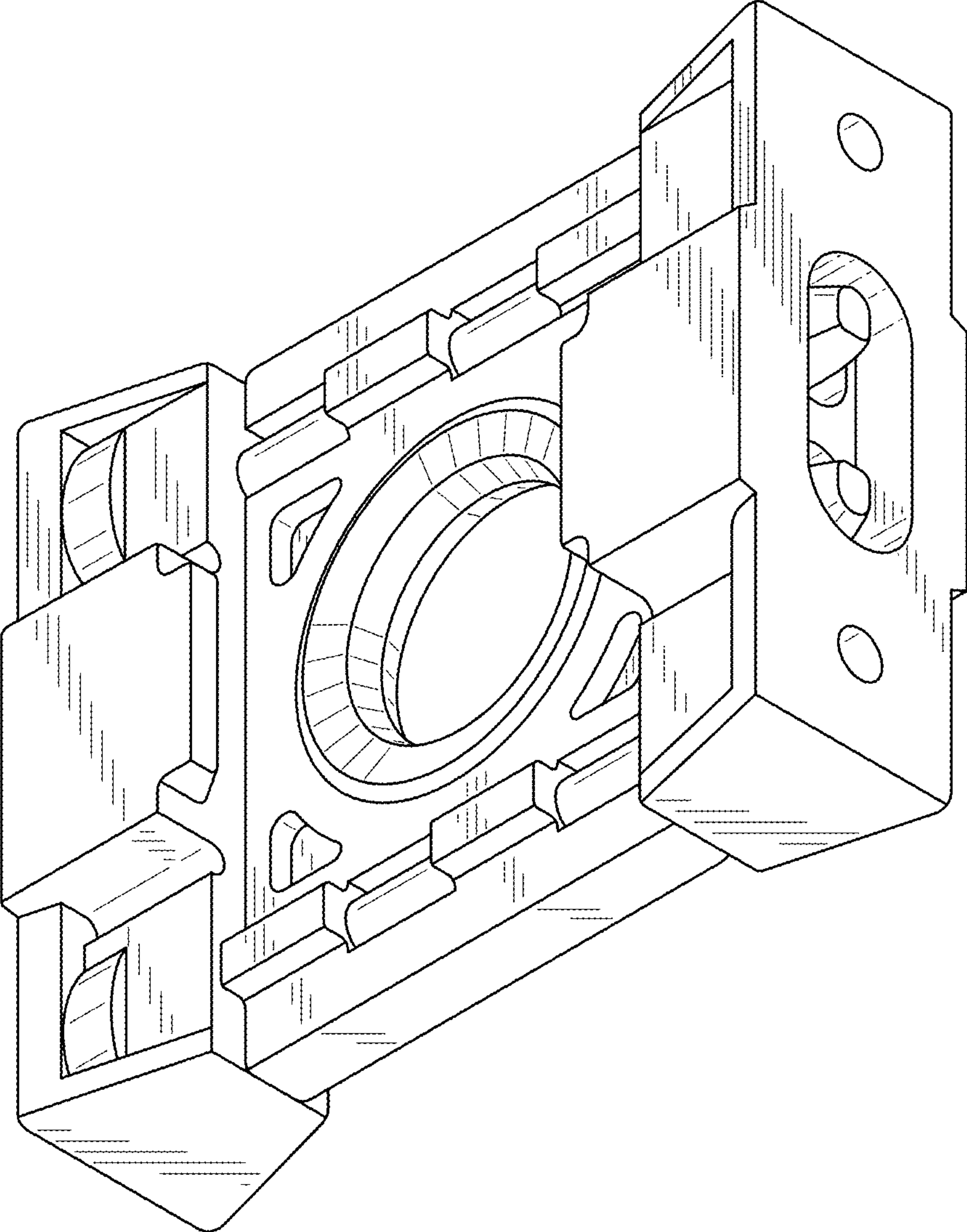


FIG. 3

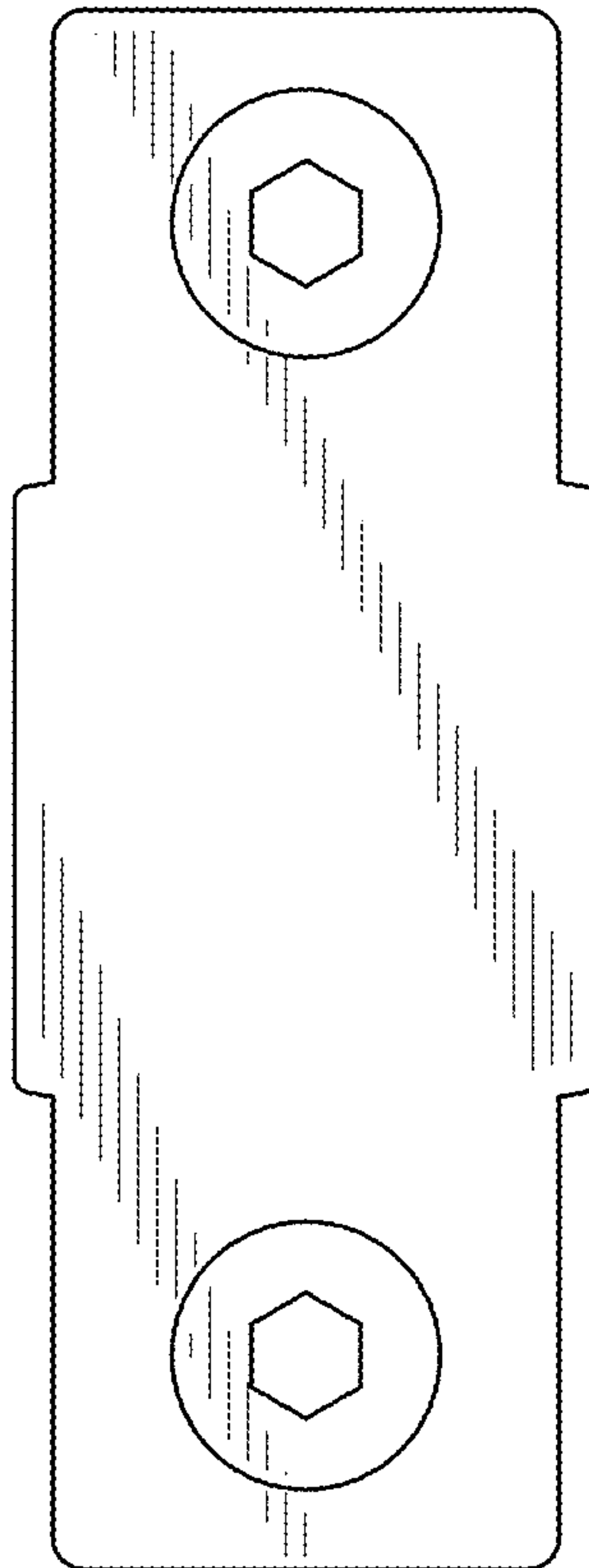


FIG. 4

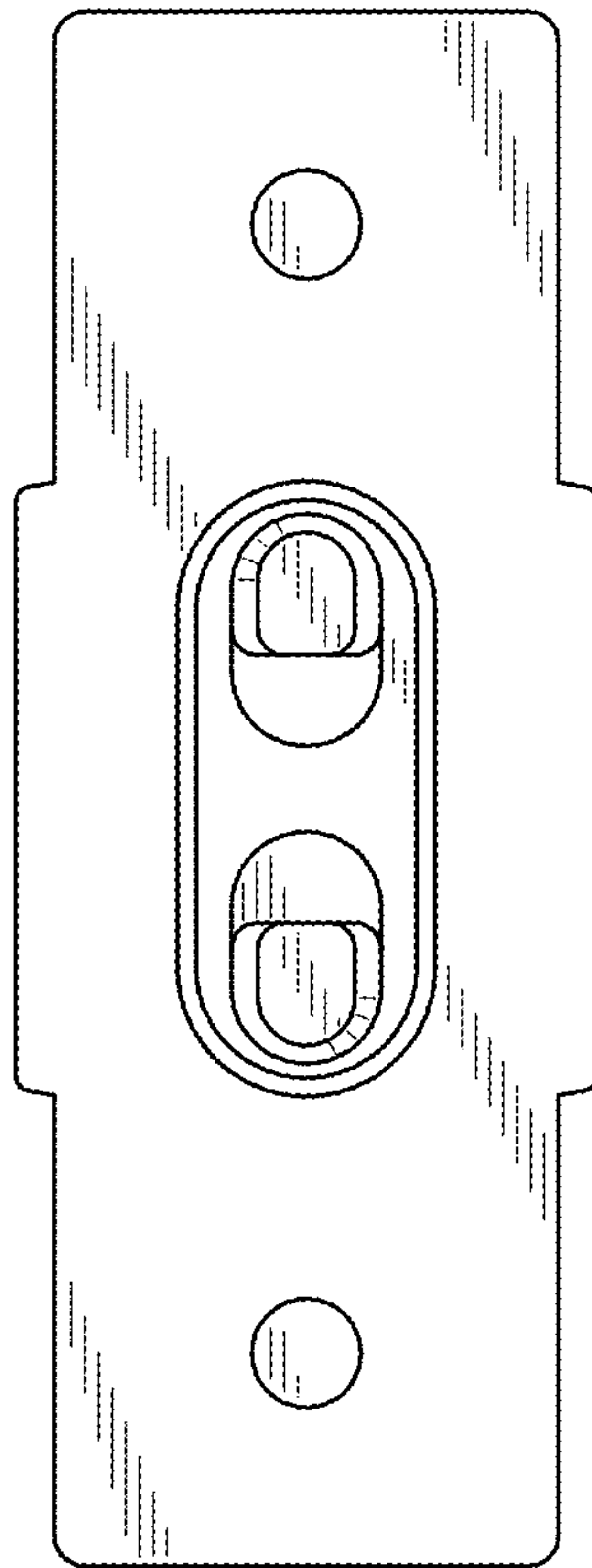


FIG. 5

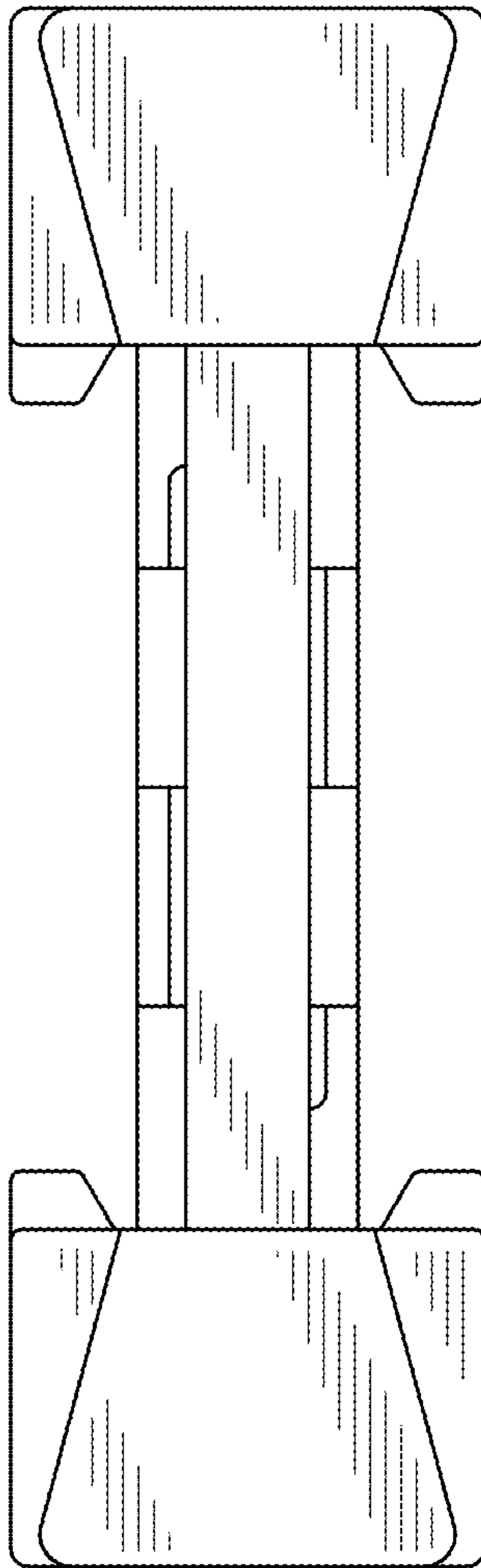


FIG. 6

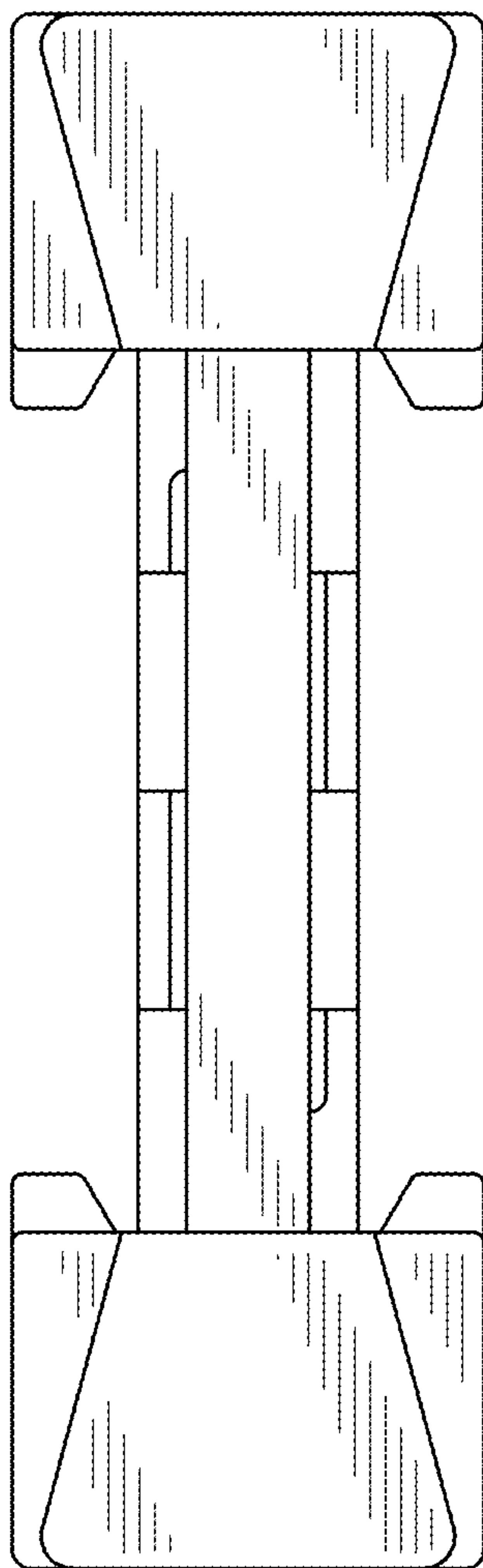


FIG. 7

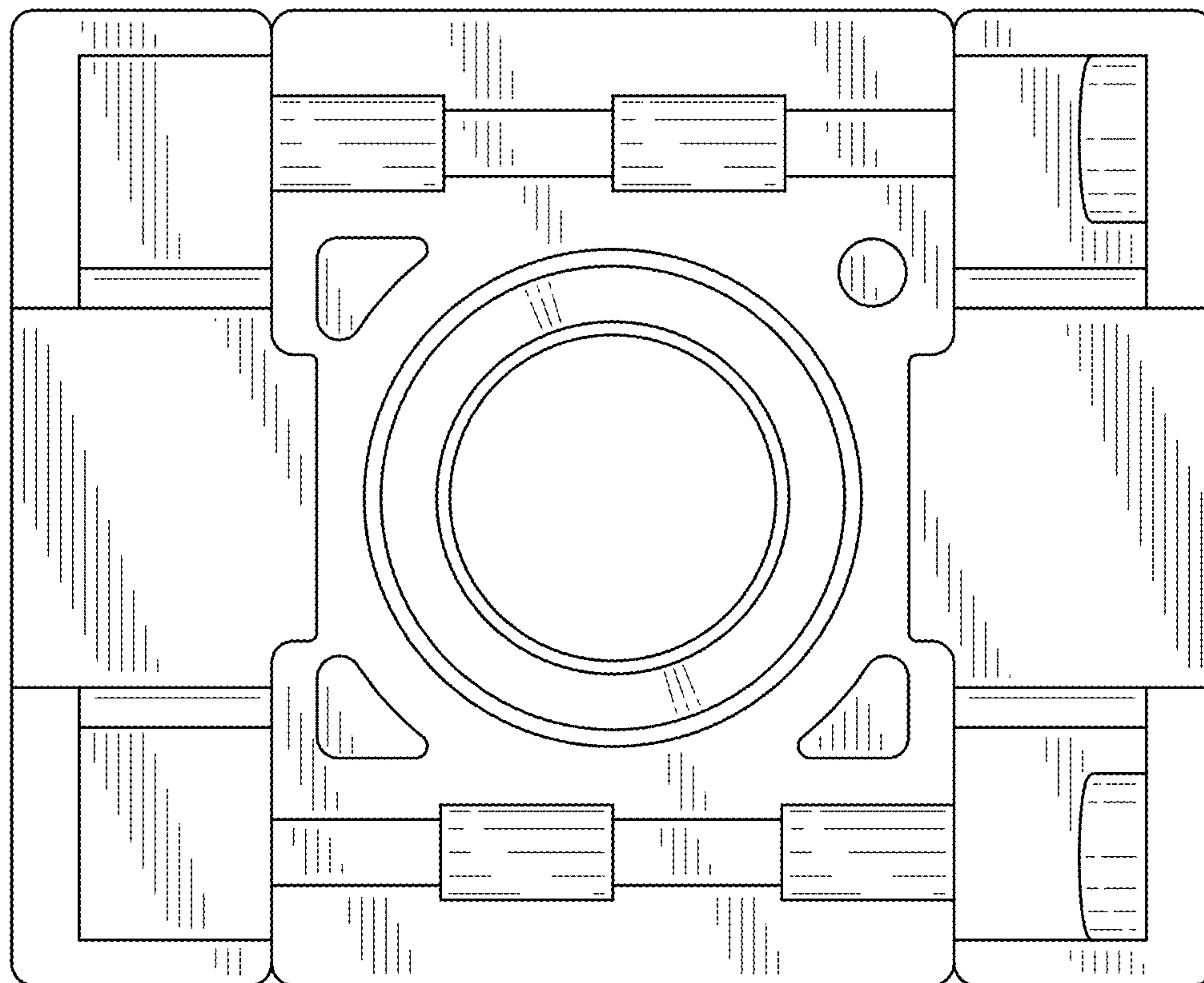


FIG. 8

