

US00D824241S

(12) **United States Design Patent**
Tyrer

(10) **Patent No.:** **US D824,241 S**

(45) **Date of Patent:** **** Jul. 31, 2018**

(54) **BRACKET**

(71) Applicant: **Club Pro Manufacturing USA, Inc.**,
Deer Park, NY (US)

(72) Inventor: **Stephen E. Tyrer**, Deer Park, NY (US)

(73) Assignee: **Club Pro Manufacturing USA, Inc.**,
Deer Park, NY (US)

(**) Term: **15 Years**

(21) Appl. No.: **29/591,885**

(22) Filed: **Jan. 25, 2017**

(51) **LOC (11) Cl.** **08-05**

(52) **U.S. Cl.**
USPC **D8/354**

(58) **Field of Classification Search**
USPC D8/16, 19, 350, 353, 354, 364, 366, 499,
D8/380, 381, 371, 373, 349; D21/703;
D7/620; D12/16, 415; D10/74;
D14/251, 253, 347, 366, 434, 447, 451,
D14/452
CPC A47B 2220/0036; E04B 1/26; E04B
2001/2415; E04B 2001/2644; E04B
2001/405; E04H 17/1421; E04H
2017/1473; A47G 1/00; A47G 25/00;
F16L 3/00

See application file for complete search history.

(56) **References Cited**

U.S. PATENT DOCUMENTS

D254,051 S * 1/1980 Zaleski 52/24
D272,023 S * 1/1984 Mayer D6/540
D453,678 S * 2/2002 McMullen D8/499
D580,804 S * 11/2008 Gretton D10/74
D596,539 S * 7/2009 Ezra D12/162

D631,735 S * 2/2011 Johnson D8/380
D757,522 S * 5/2016 Kim D8/356
D758,174 S * 6/2016 Lee D8/382
D777,793 S * 1/2017 Singh D15/7
D782,290 S * 3/2017 Darby D8/381
D788,950 S * 6/2017 Lopez D25/199
D789,774 S * 6/2017 Turk B60R 11/02
D808,249 S * 1/2018 Kandakur D8/354

* cited by examiner

Primary Examiner — Jennifer Rivard

Assistant Examiner — Alison M Ofstun

(74) *Attorney, Agent, or Firm* — Hoffmann & Baron, LLP

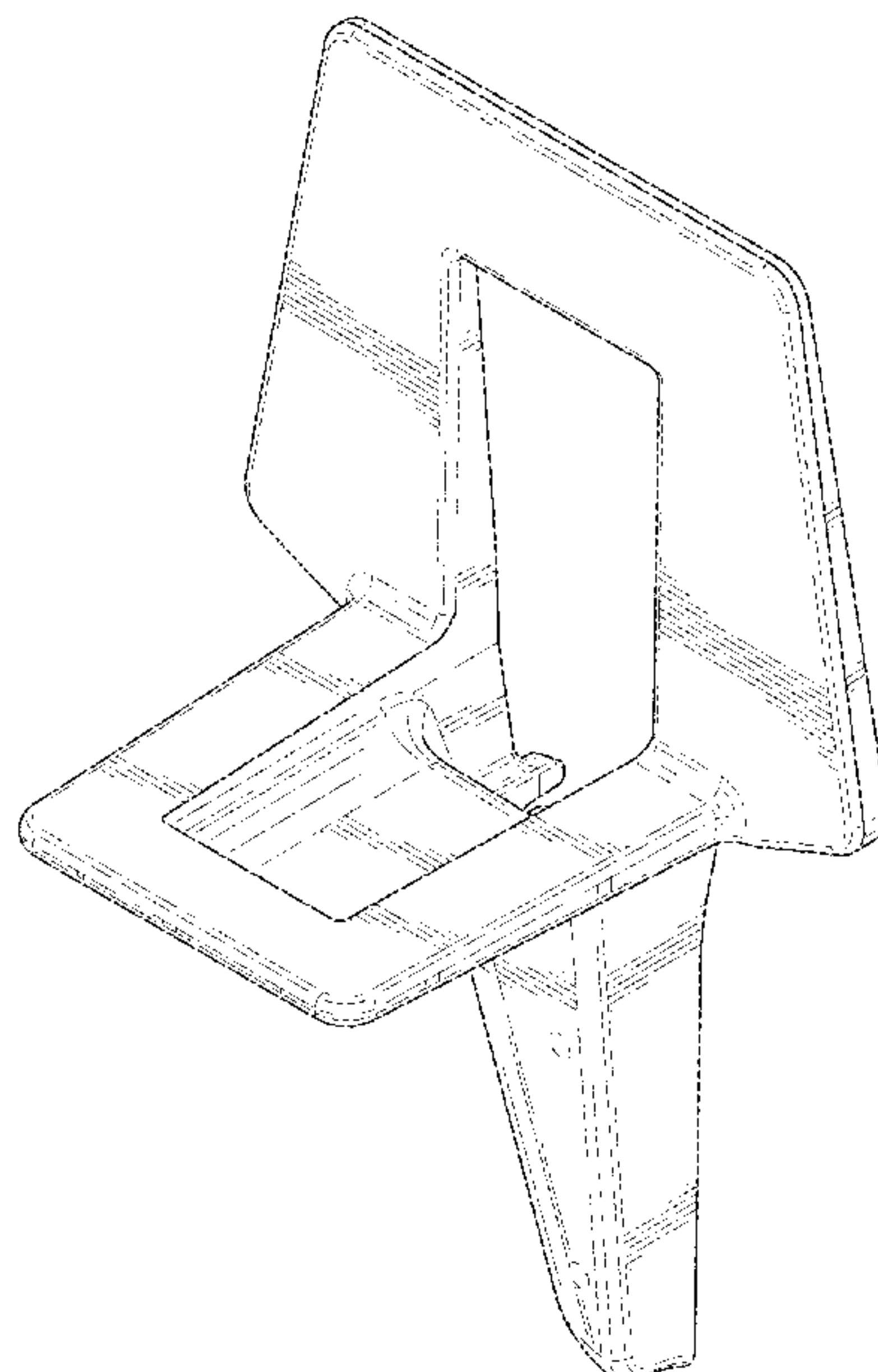
(57) **CLAIM**

The ornamental design for a bracket, as shown and described.

DESCRIPTION

FIG. 1 is a front perspective view of a bracket showing my new design;
FIG. 2 is a rear perspective view of the bracket shown in FIG. 1;
FIG. 3 is a front view of the bracket shown in FIG. 1;
FIG. 4 is a left side elevational view of the bracket shown in FIG. 1;
FIG. 5 is a rear view of the bracket shown in FIG. 1;
FIG. 6 is a right side elevation view of a bracket shown in FIG. 1;
FIG. 7 is a top plan view of the bracket shown in FIG. 1;
FIG. 8 is a bottom plan view of the bracket shown in FIG. 1; and,
FIG. 9 is a cross-section of the bracket taken along lines 9-9 of FIG. 3.
The broken lines are shown for the purpose of illustrating parts of the article that form no part of the claim.

1 Claim, 9 Drawing Sheets



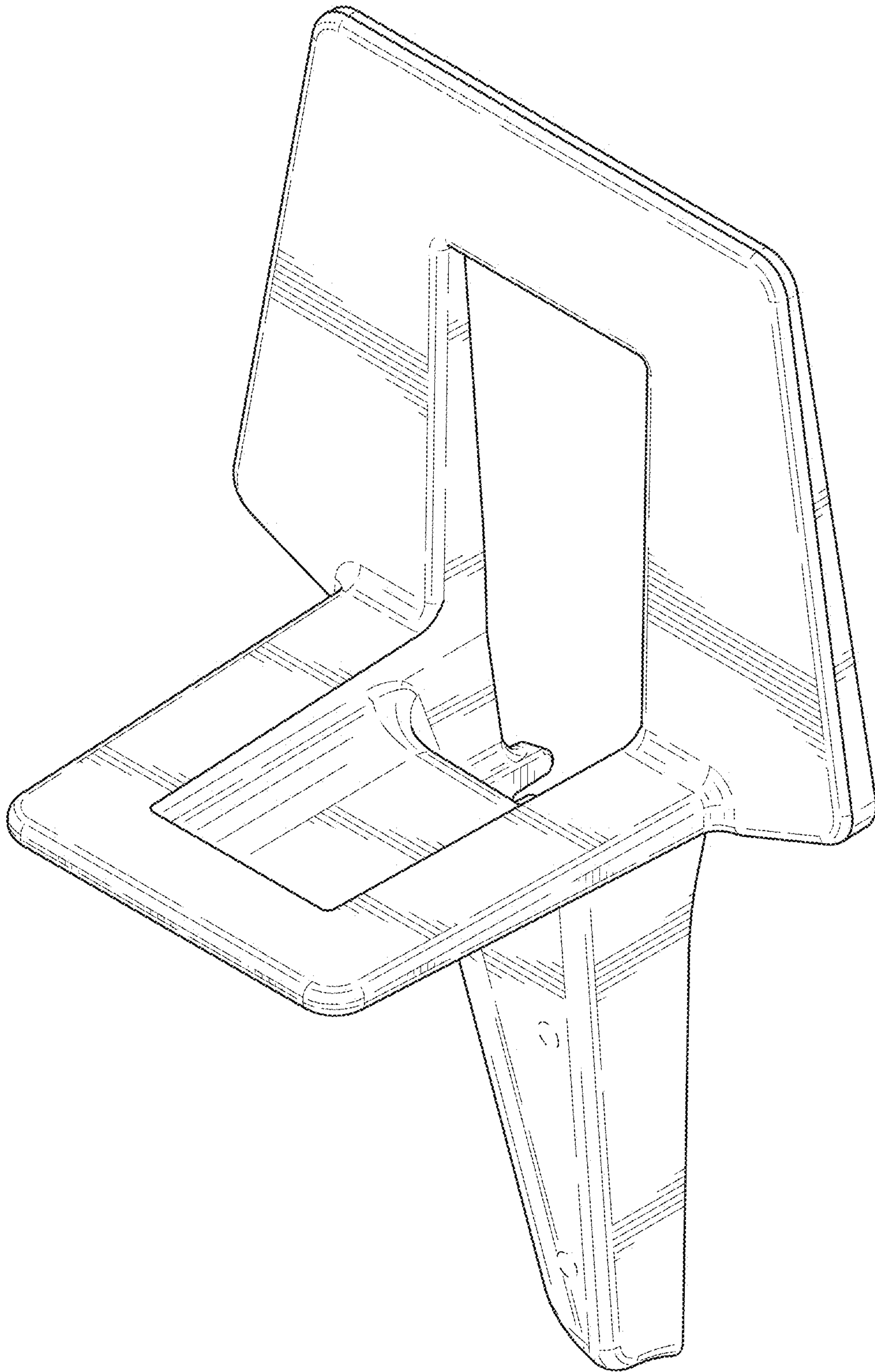


FIG. 1

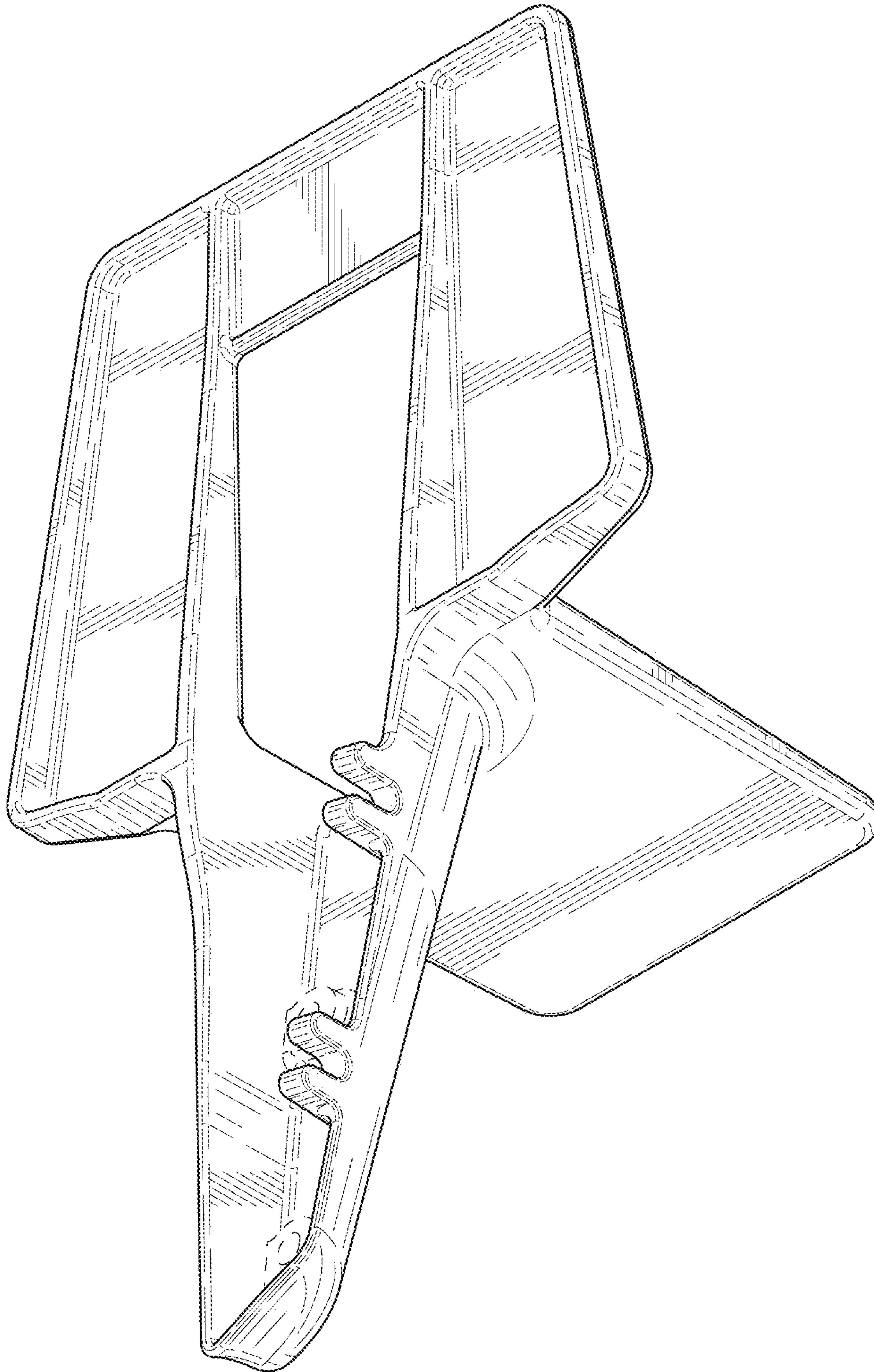


FIG. 2

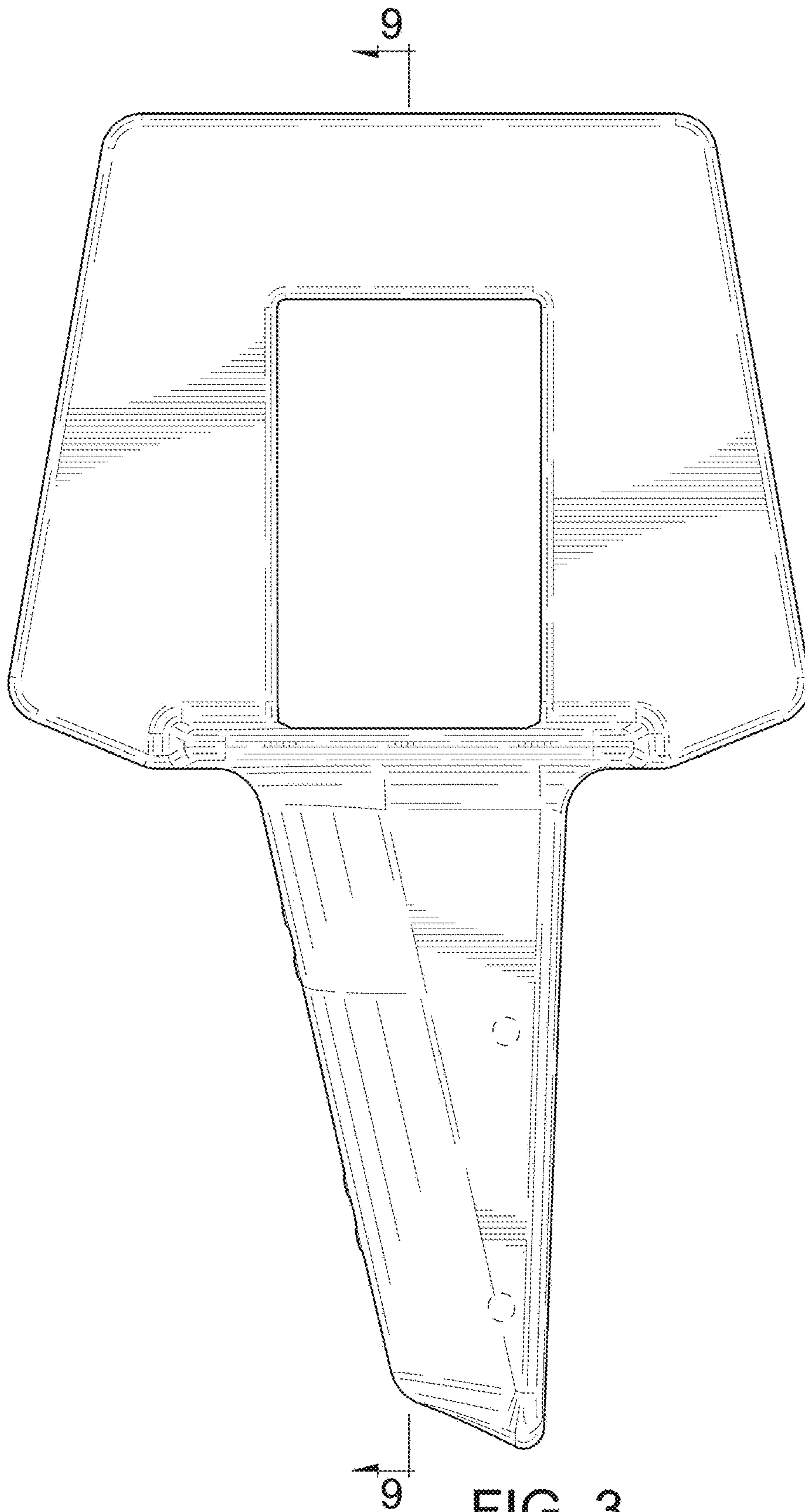


FIG. 3

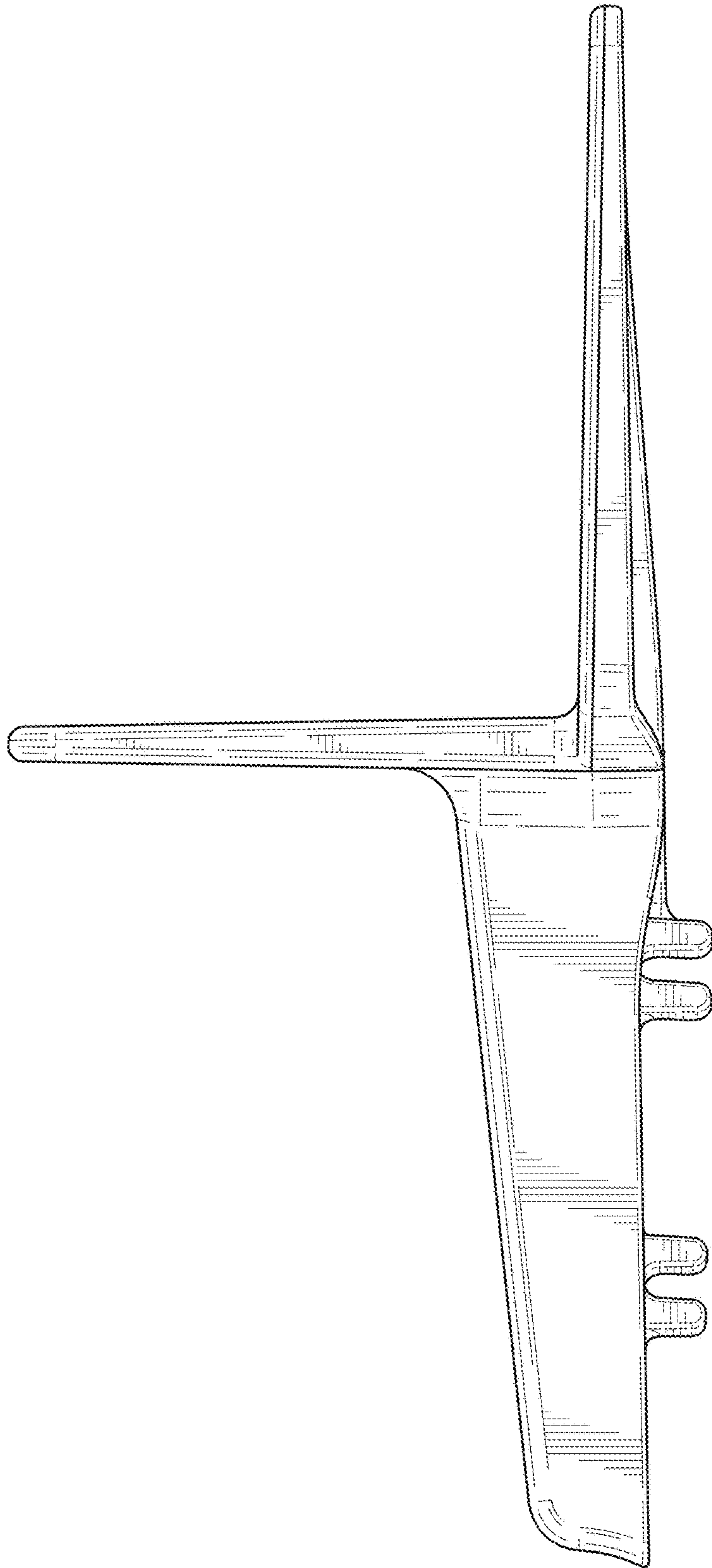


FIG. 4

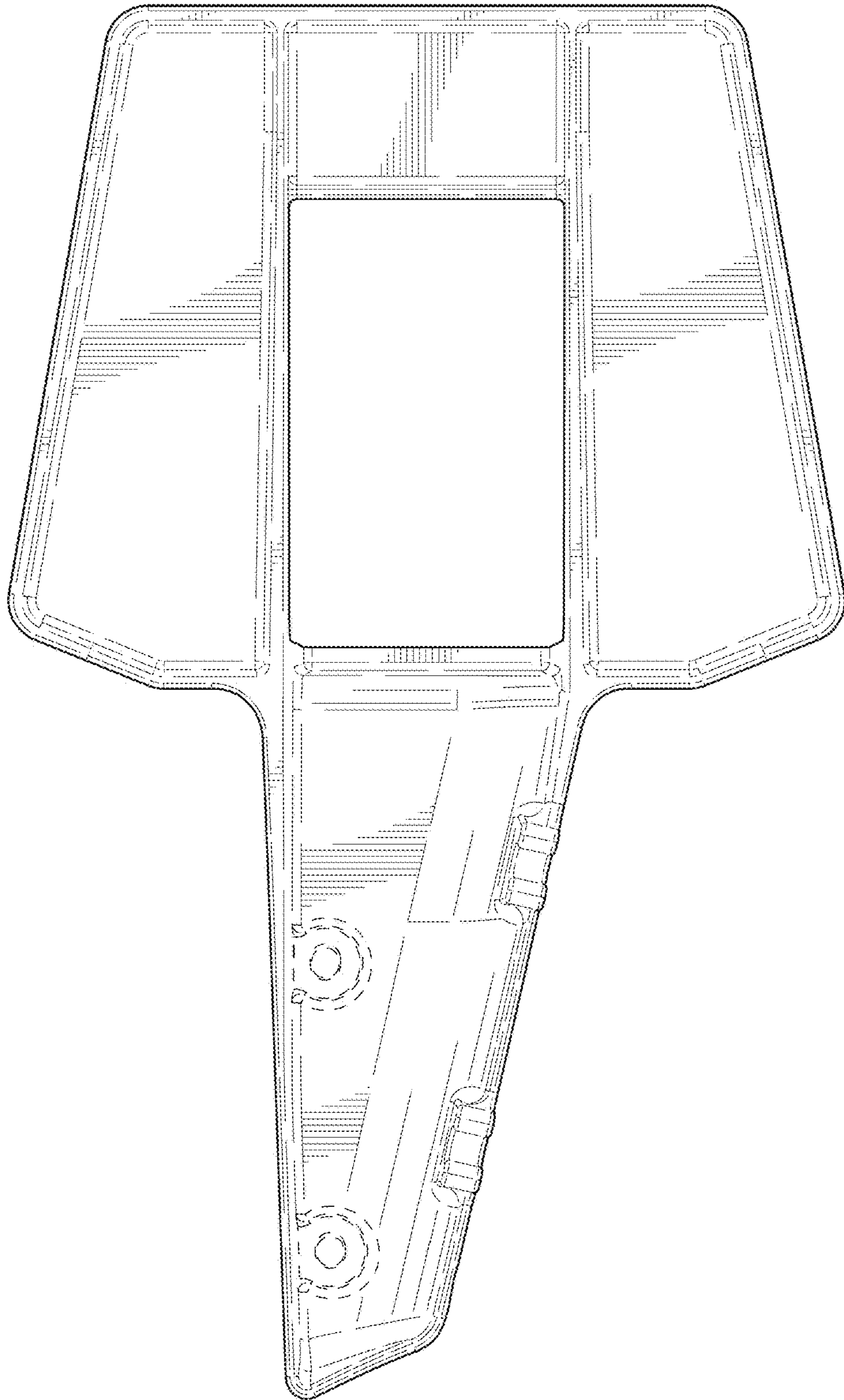


FIG. 5

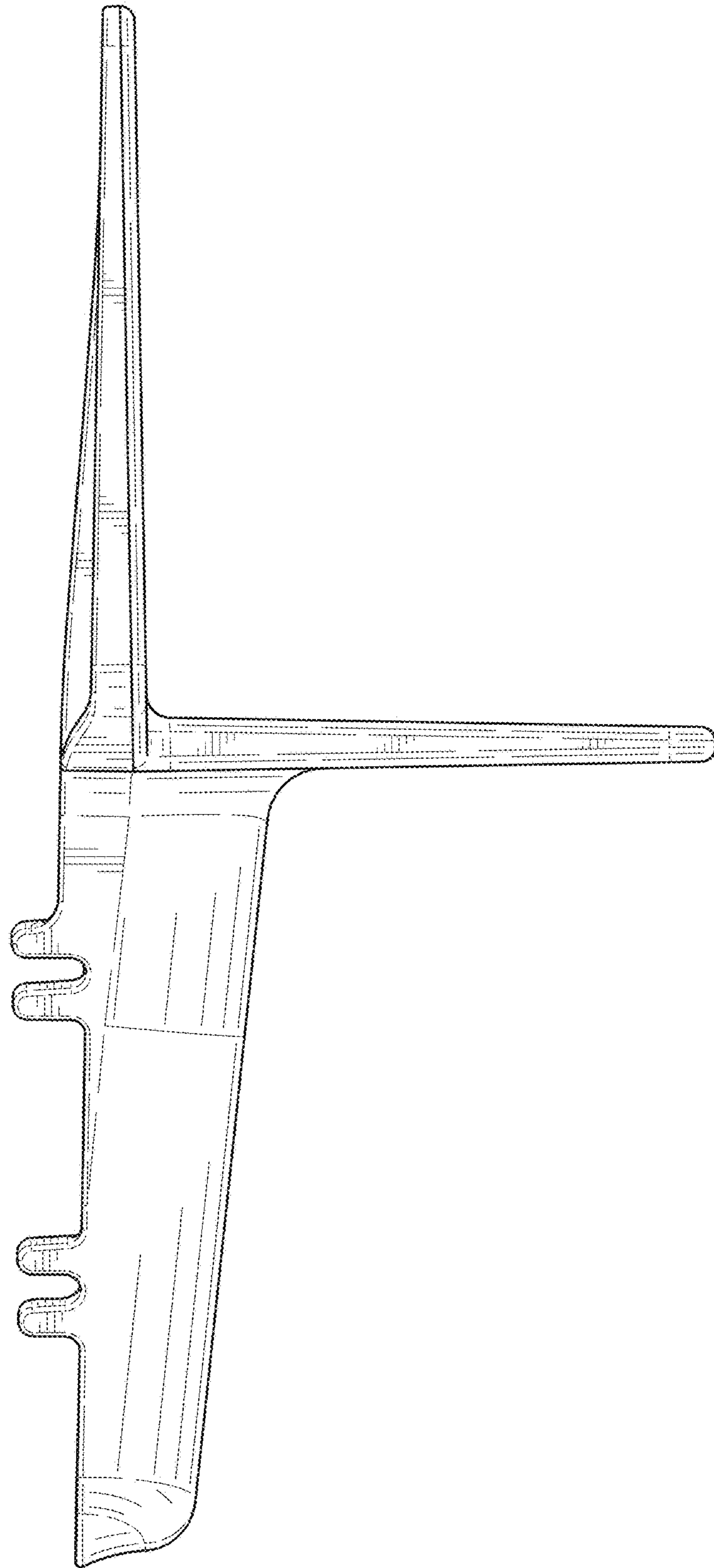


FIG. 6

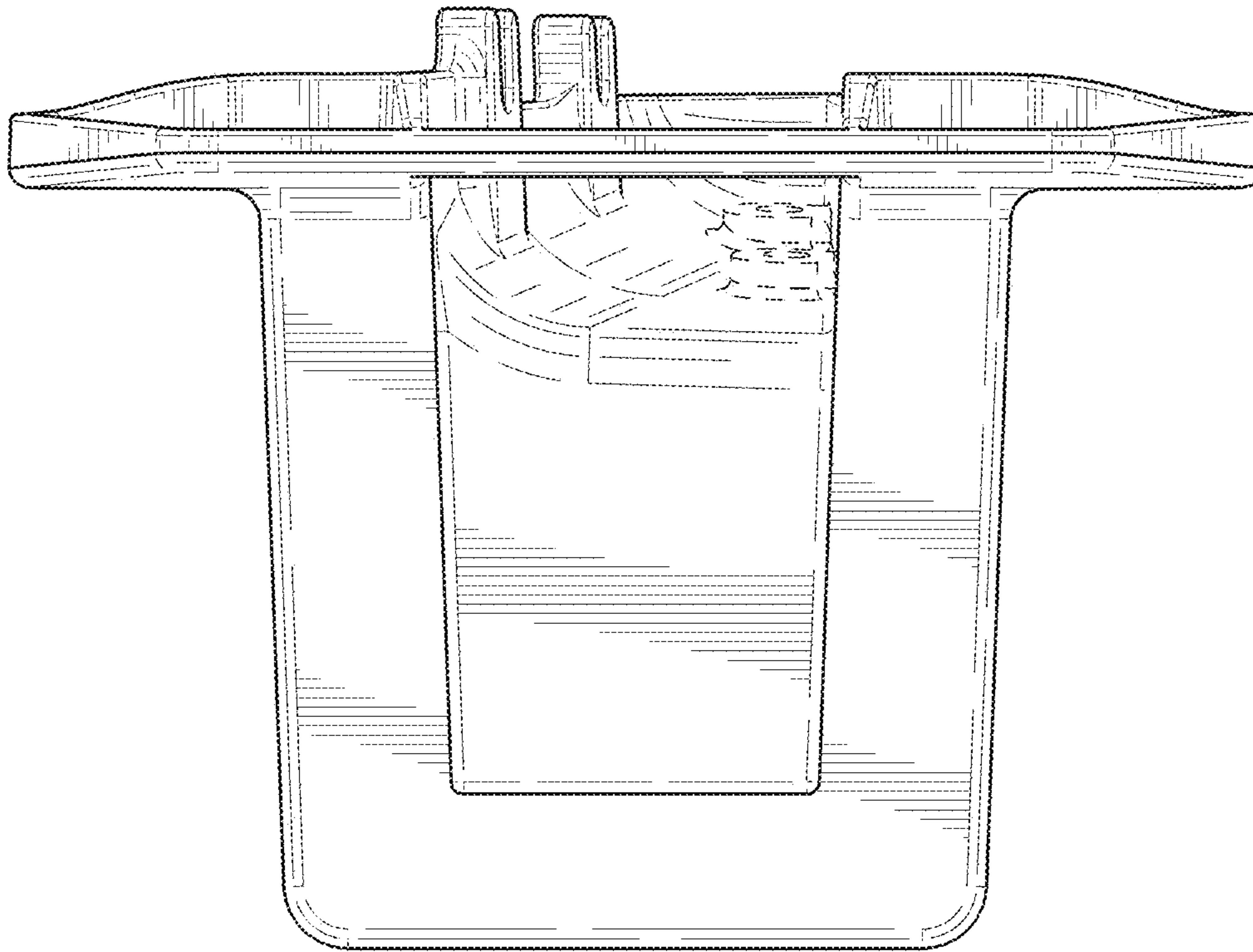


FIG. 7

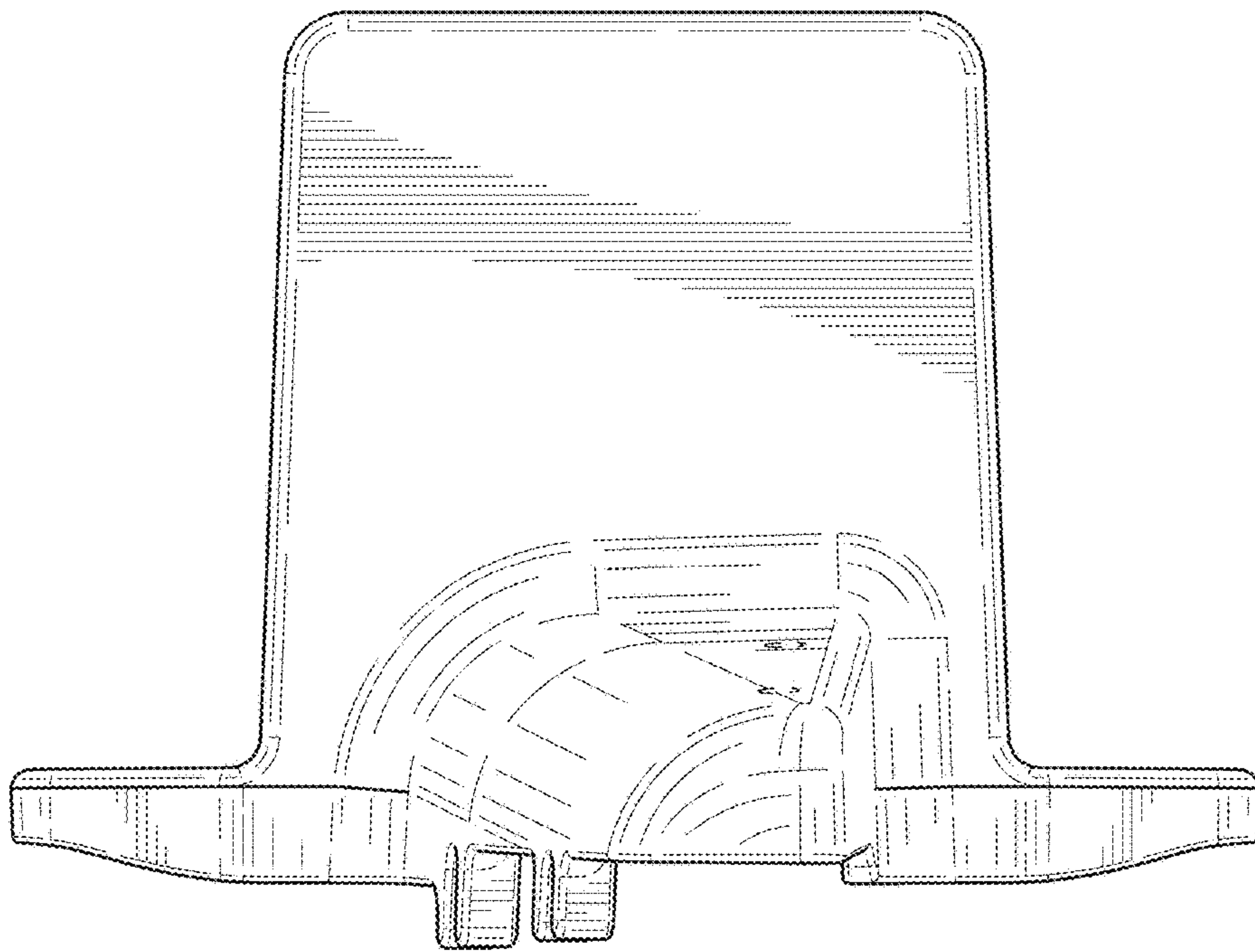


FIG. 8

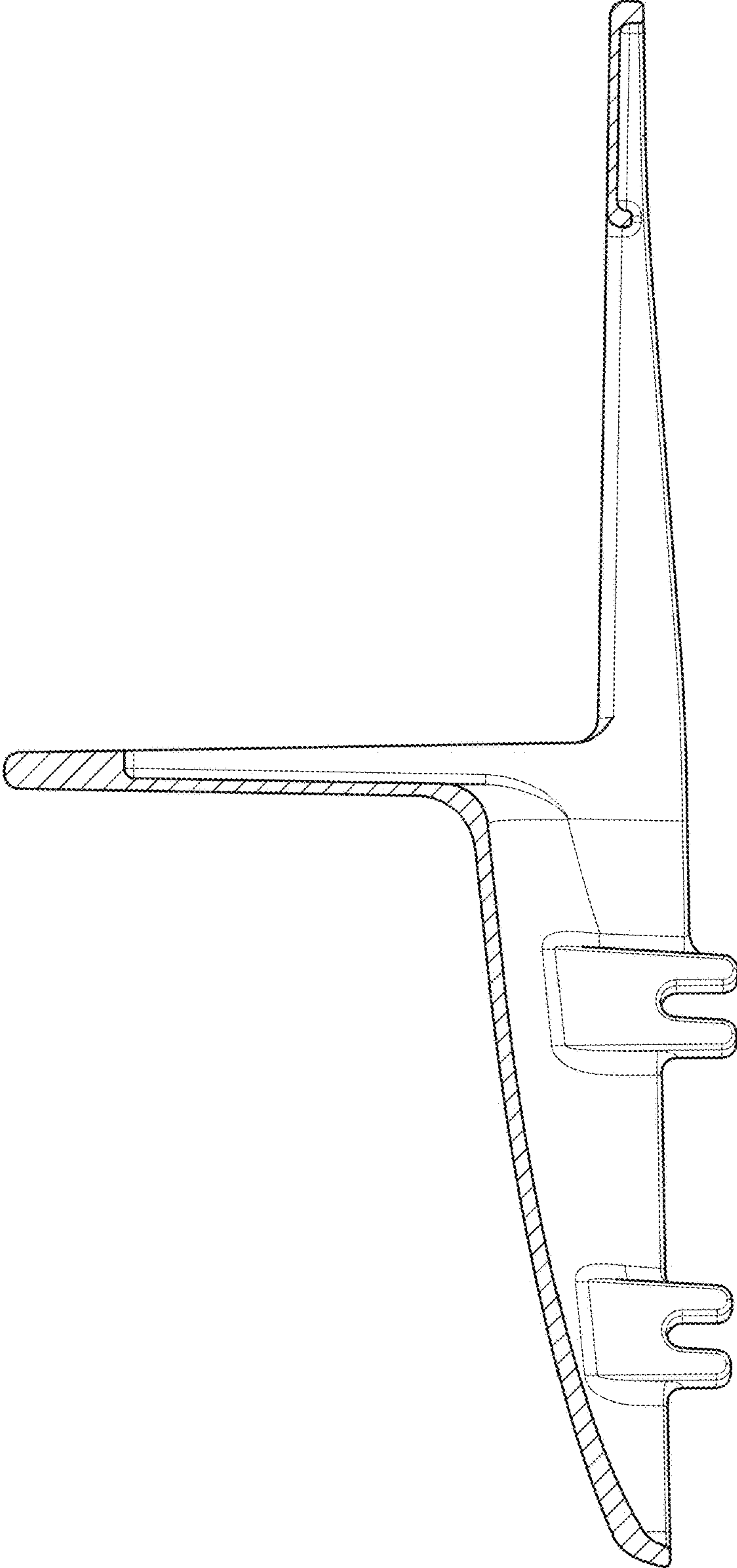


FIG. 9