



US00D824239S

(12) **United States Design Patent**  
**Anwar**

(10) **Patent No.:** **US D824,239 S**  
(45) **Date of Patent:** **\*\* Jul. 31, 2018**

(54) **DUAL CUP LOCKOUT DEVICE**

(71) Applicant: **Brady Worldwide, Inc.**, Milwaukee, WI (US)

(72) Inventor: **Sohail Anwar**, New Berlin, WI (US)

(73) Assignee: **Brady Worldwide, Inc.**, Milwaukee, WI (US)

(\*\*) Term: **15 Years**

(21) Appl. No.: **29/604,623**

(22) Filed: **May 18, 2017**

(51) **LOC (11) Cl.** ..... **08-07**

(52) **U.S. Cl.**  
USPC ..... **D8/339; D8/330**

(58) **Field of Classification Search**

USPC ..... D8/330, 331, 333, 339, 341, 343, 349, D8/354, 382, 394, 400; 70/57.1, 141, 70/224, 431, 465, 466, 163-169, 70/175-180, 232, 52, 54, 56; 292/256, 292/262, 266, 289, 292, 340; 248/70, 73  
CPC ..... E05B 15/00; E05B 15/022; E05B 15/024; E05B 17/00; E05B 17/20; E05B 73/00  
See application file for complete search history.

(56) **References Cited**

**U.S. PATENT DOCUMENTS**

4,021,063 A \* 5/1977 Porter ..... E05C 1/04  
292/148  
D267,698 S \* 1/1983 Domes ..... 292/148  
D268,478 S \* 4/1983 Domes ..... D8/341  
D275,550 S \* 9/1984 Johnson ..... D8/331  
4,997,219 A \* 3/1991 Carter ..... E05B 35/08  
292/148

(Continued)

**OTHER PUBLICATIONS**

Master Lock Company LLC, Blind Flange Lockout Device, product brochure, dated Sep. 2015, 2 pages.

*Primary Examiner* — Prabhakar Deshmukh

(74) *Attorney, Agent, or Firm* — Quarles & Brady LLP

(57) **CLAIM**

The ornamental design for a dual cup lockout device, as shown and described.

**DESCRIPTION**

FIG. 1 is a top, rear, and right perspective view of a dual cup lockout device, according to a first embodiment of our new design;

FIG. 2 is a top, front, and right perspective view of the dual cup lockout device of FIG. 1;

FIG. 3 is a top, front, and left perspective view of the dual cup lockout device of FIG. 1;

FIG. 4 is a bottom, rear, and left view of the dual cup lockout device of FIG. 1;

FIG. 5 is a right elevational view of the dual cup lockout device of FIG. 1;

FIG. 6 is a left elevational view of the dual cup lockout device of FIG. 1;

FIG. 7 is a rear elevational view of the dual cup lockout device of FIG. 1;

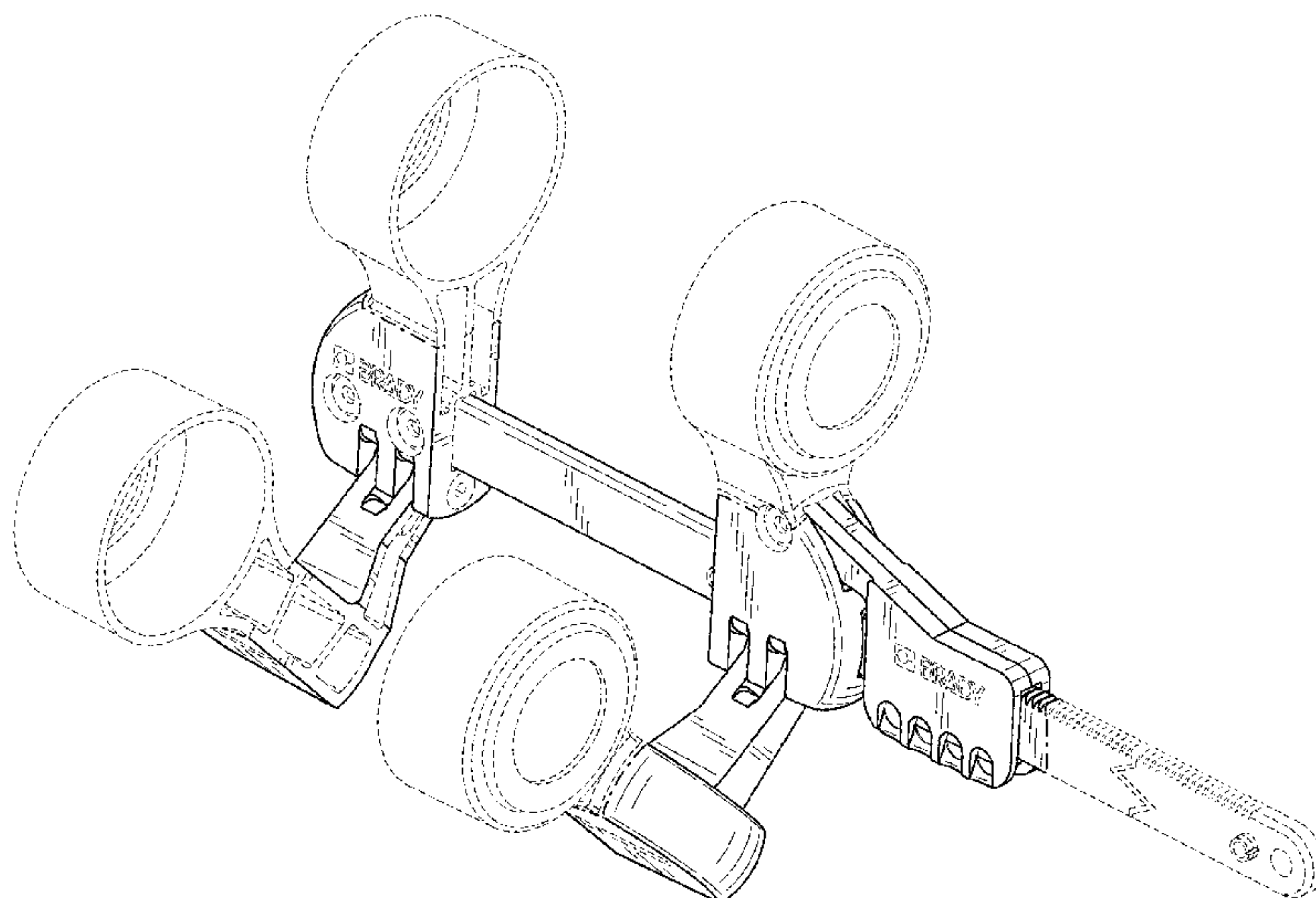
FIG. 8 is a front elevational view of the dual cup lockout device of FIG. 1;

FIG. 9 is a top plan view of the dual cup lockout device of FIG. 1; and,

FIG. 10 is a bottom plan view of the dual cup lockout device of FIG. 1.

The broken line representations in the views are for illustrative purposes only and form no part of the claimed design. The dash-dot lines indicate boundaries of a claimed surface that are not an edge. The jagged broken line on the non-claimed section of the bar is an indeterminate length line which is used to indicate that the bar can be of lengths other than the specific length illustrated. The portions between the jagged broken lines form no part of the claimed design.

**1 Claim, 10 Drawing Sheets**



(56)

**References Cited**

U.S. PATENT DOCUMENTS

5,312,139 A \* 5/1994 Marks ..... F16L 19/005  
285/39  
D351,985 S \* 11/1994 Victor ..... D8/331  
5,836,184 A 11/1998 Brown  
5,868,015 A \* 2/1999 Eaker ..... E05B 67/383  
292/148  
6,644,075 B2 \* 11/2003 Thompson ..... F16L 23/003  
403/316  
D540,150 S \* 4/2007 Wilson ..... D8/339  
D710,183 S \* 8/2014 Huddleston ..... D8/339  
D767,368 S 9/2016 Sanford

\* cited by examiner

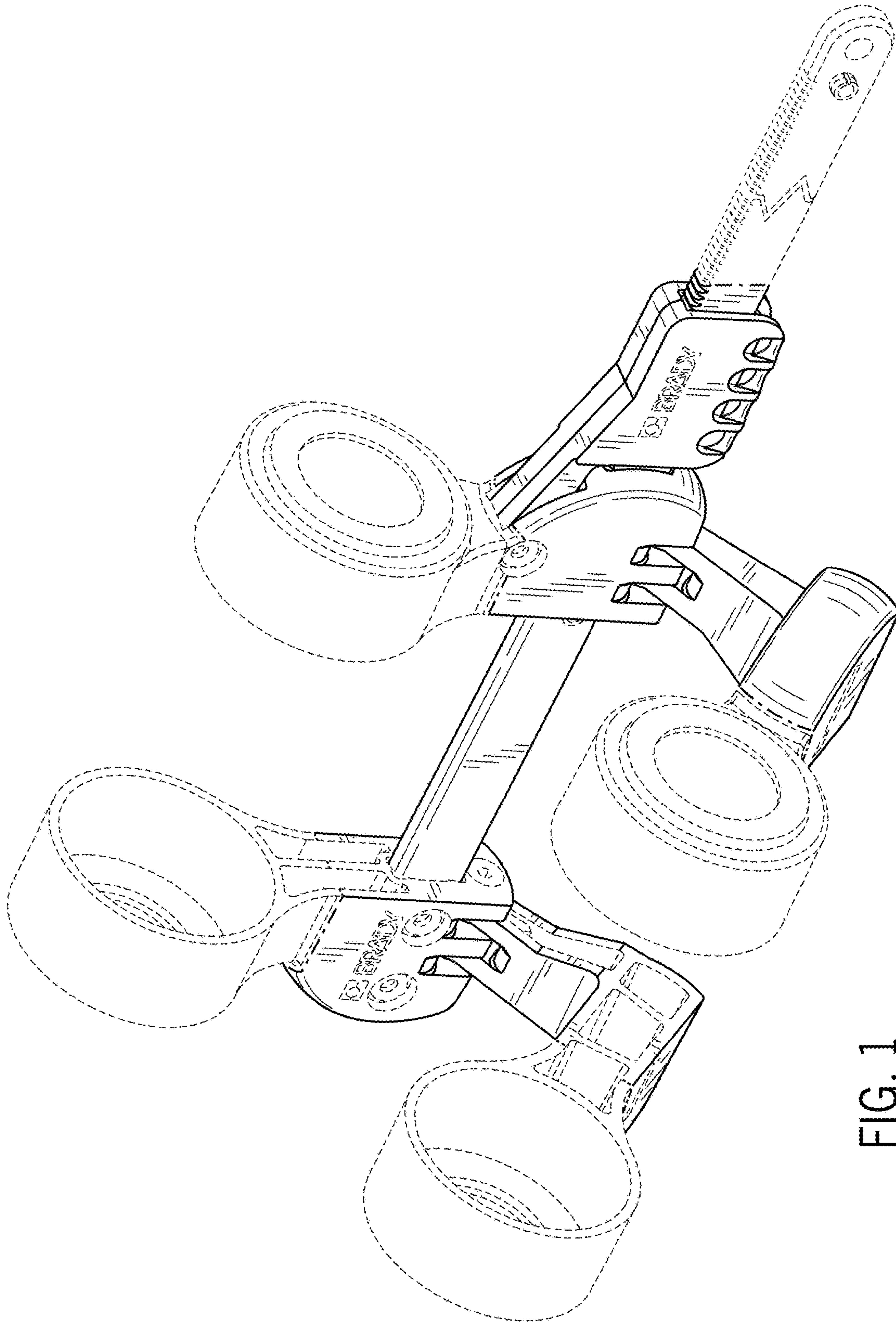


FIG. 1

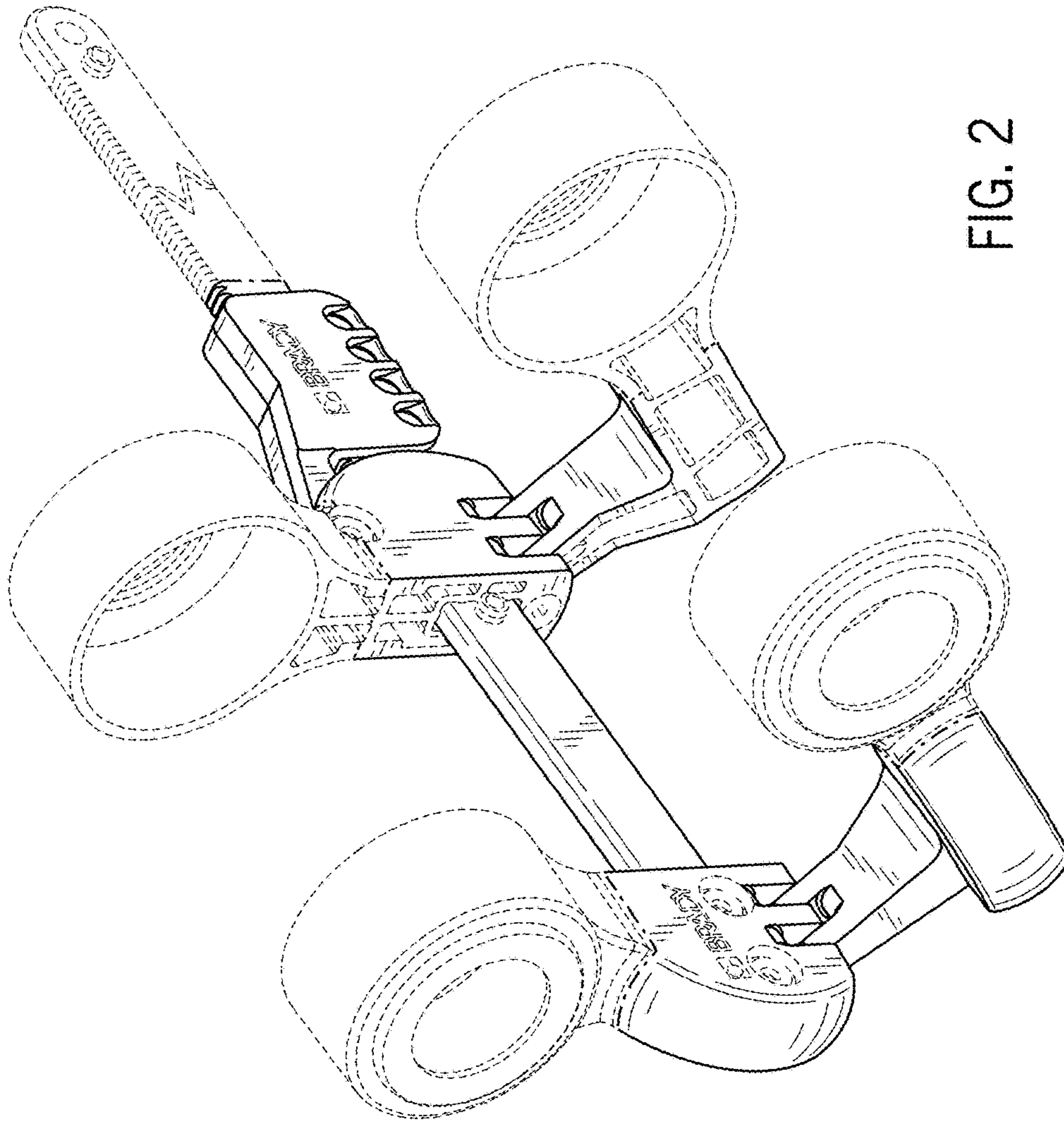


FIG. 2



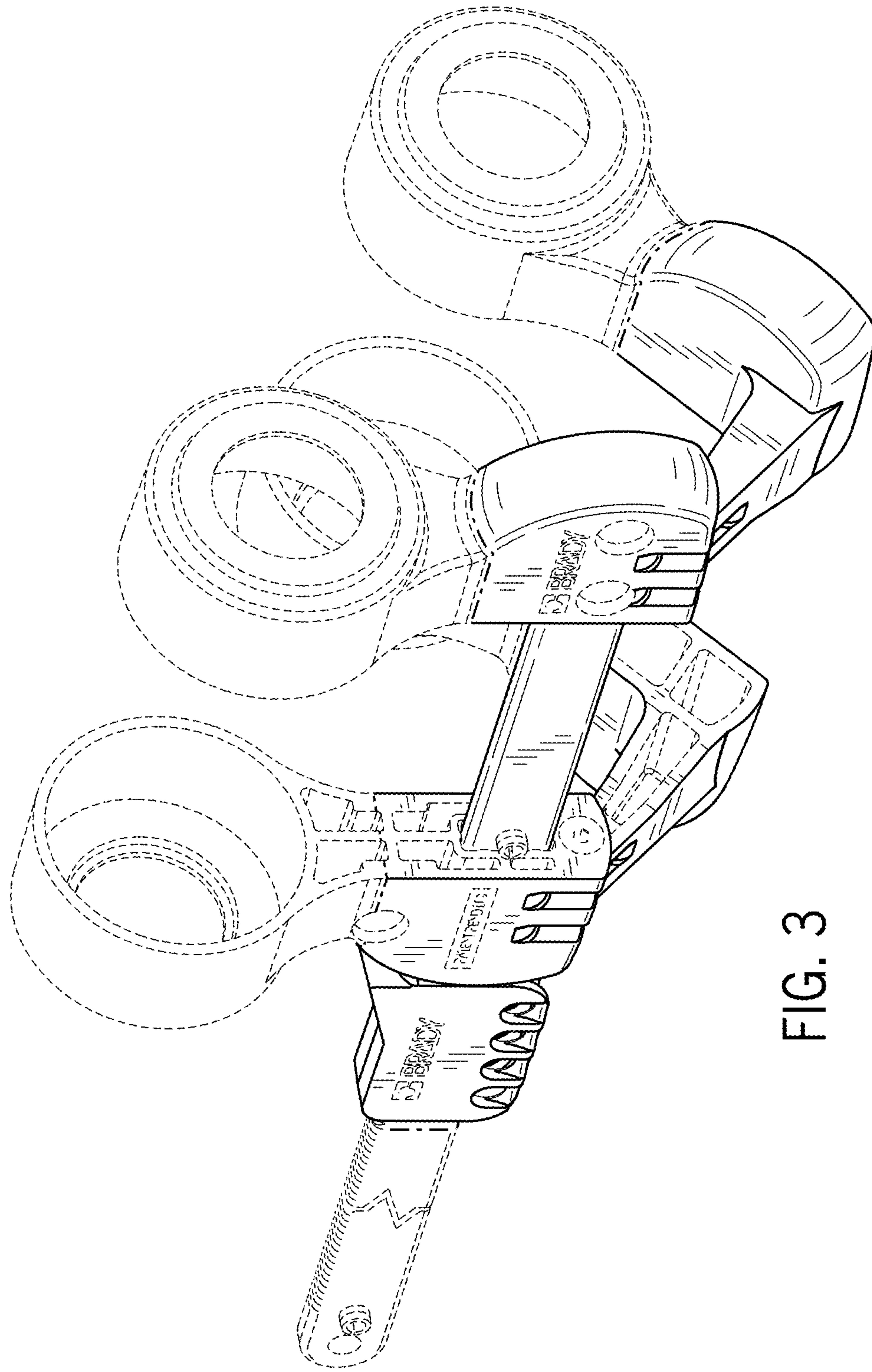


FIG. 3

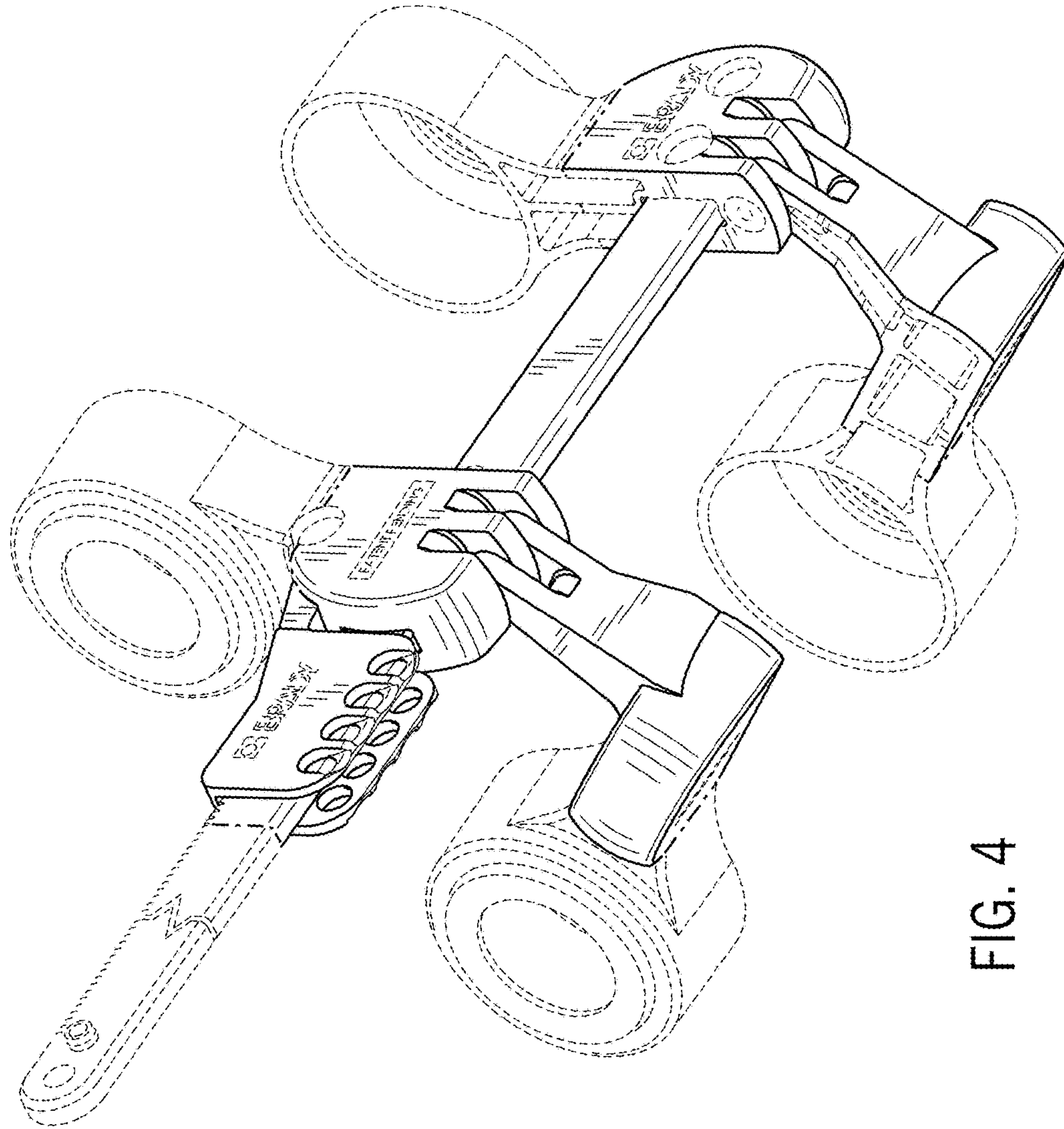


FIG. 4

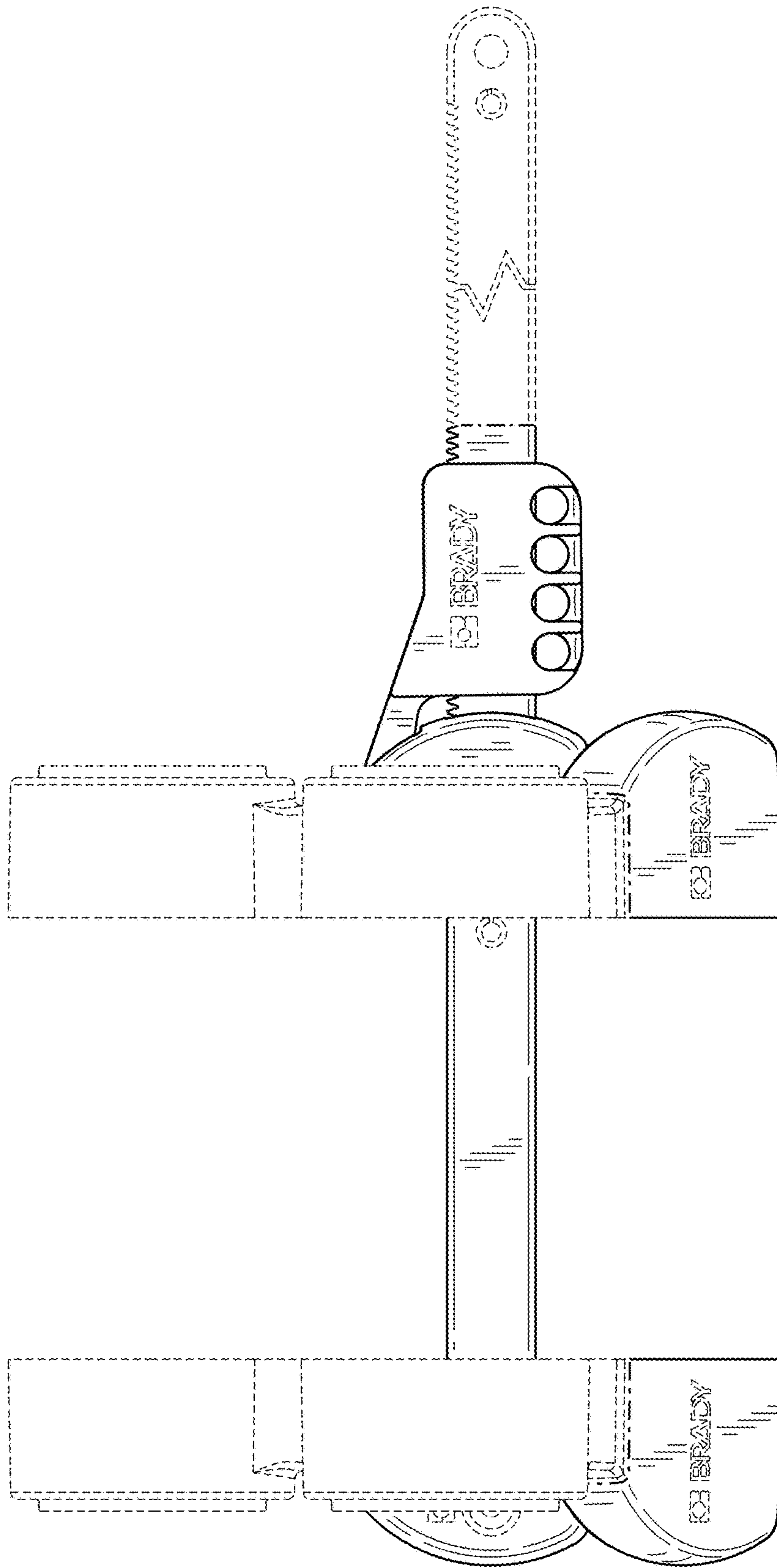


FIG. 5

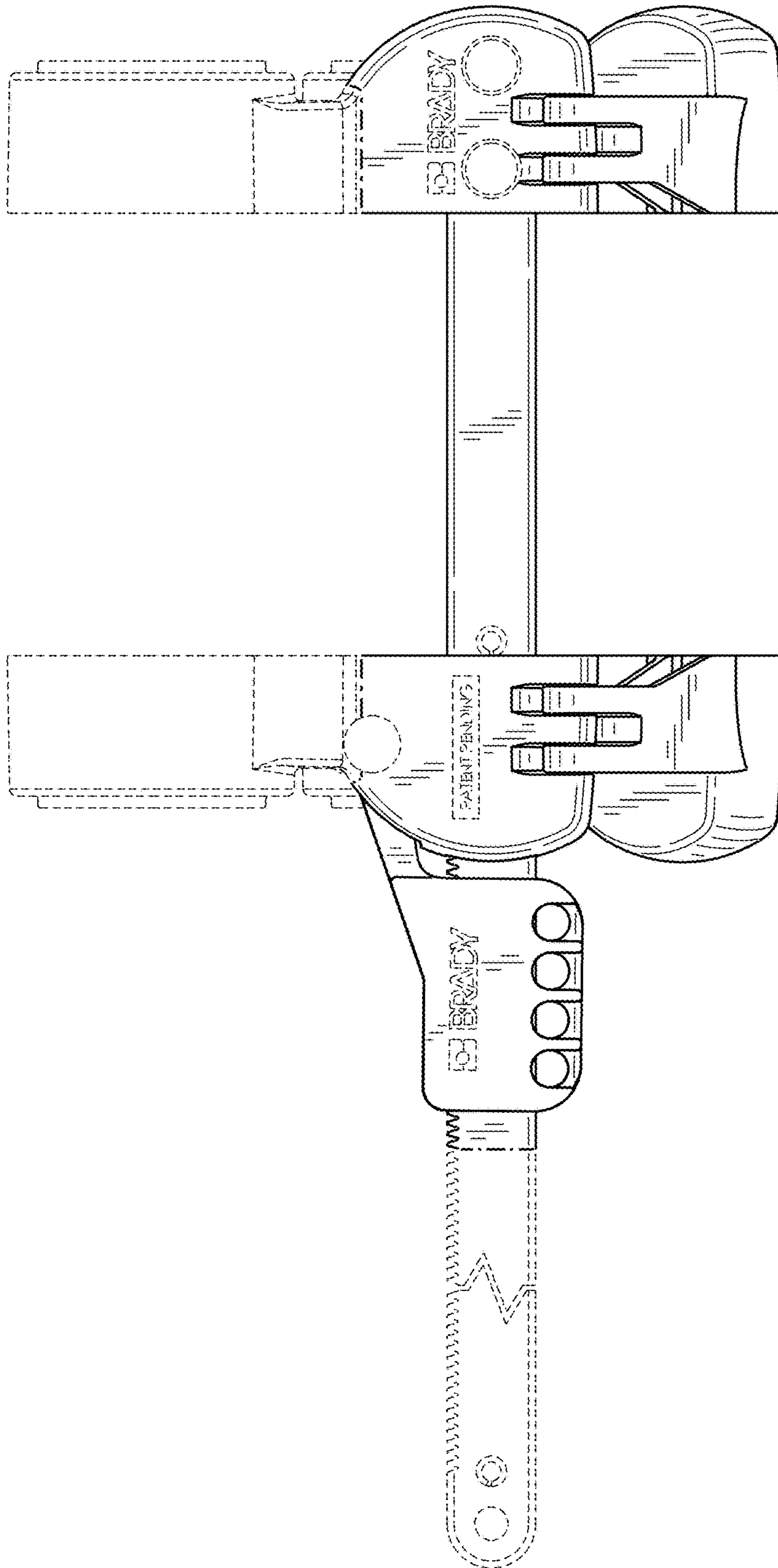


FIG. 6



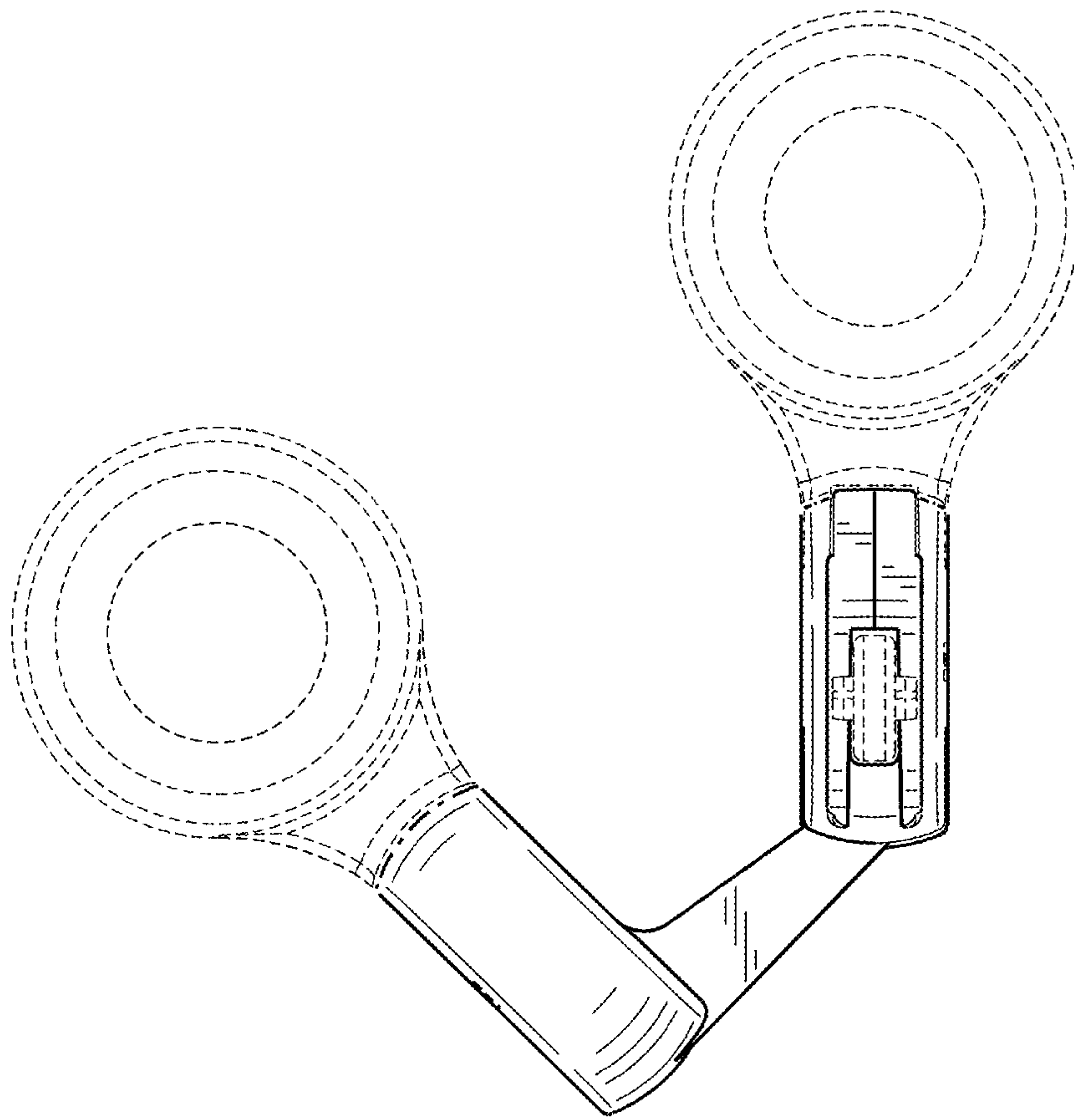


FIG. 7

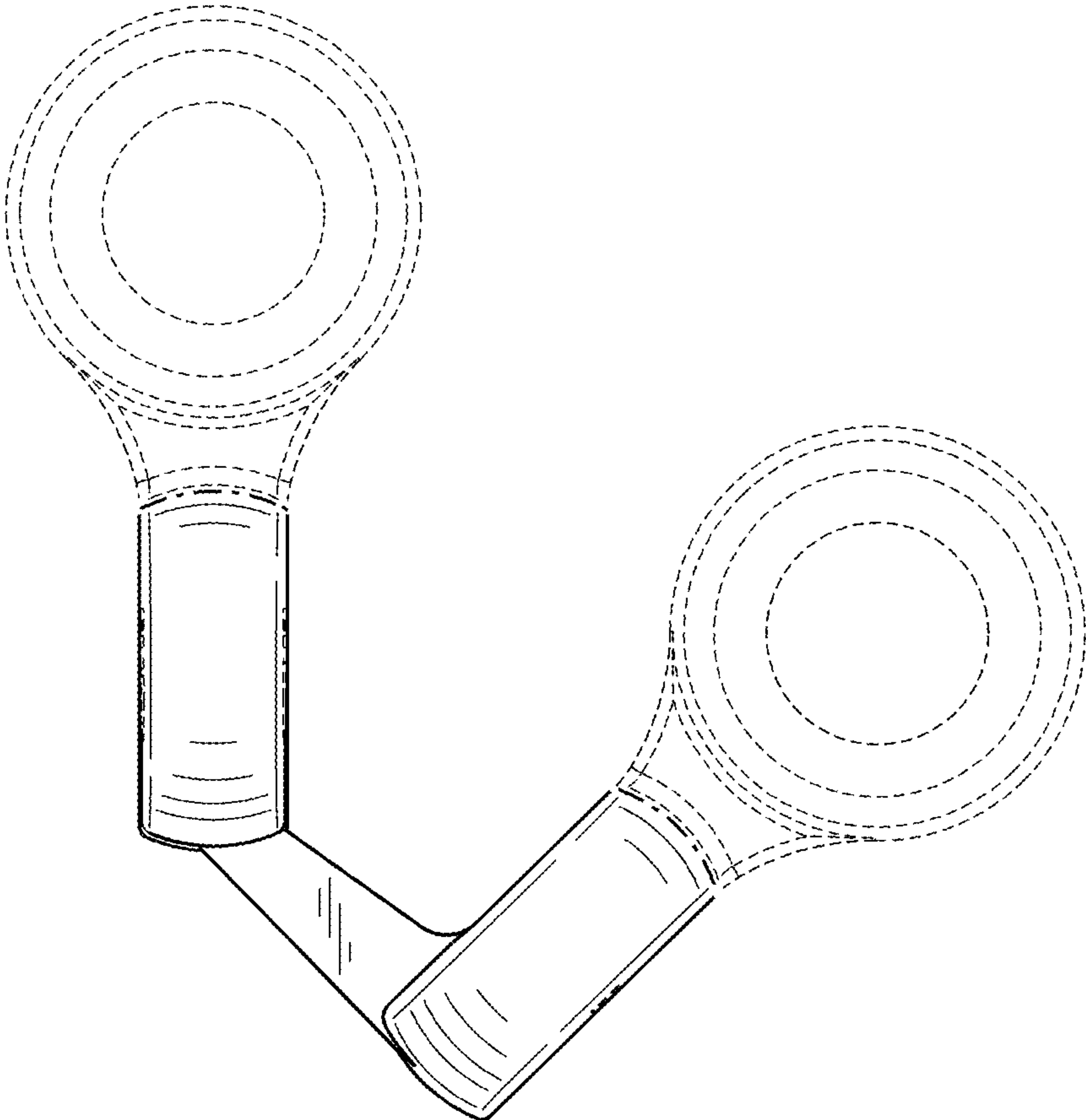


FIG. 8

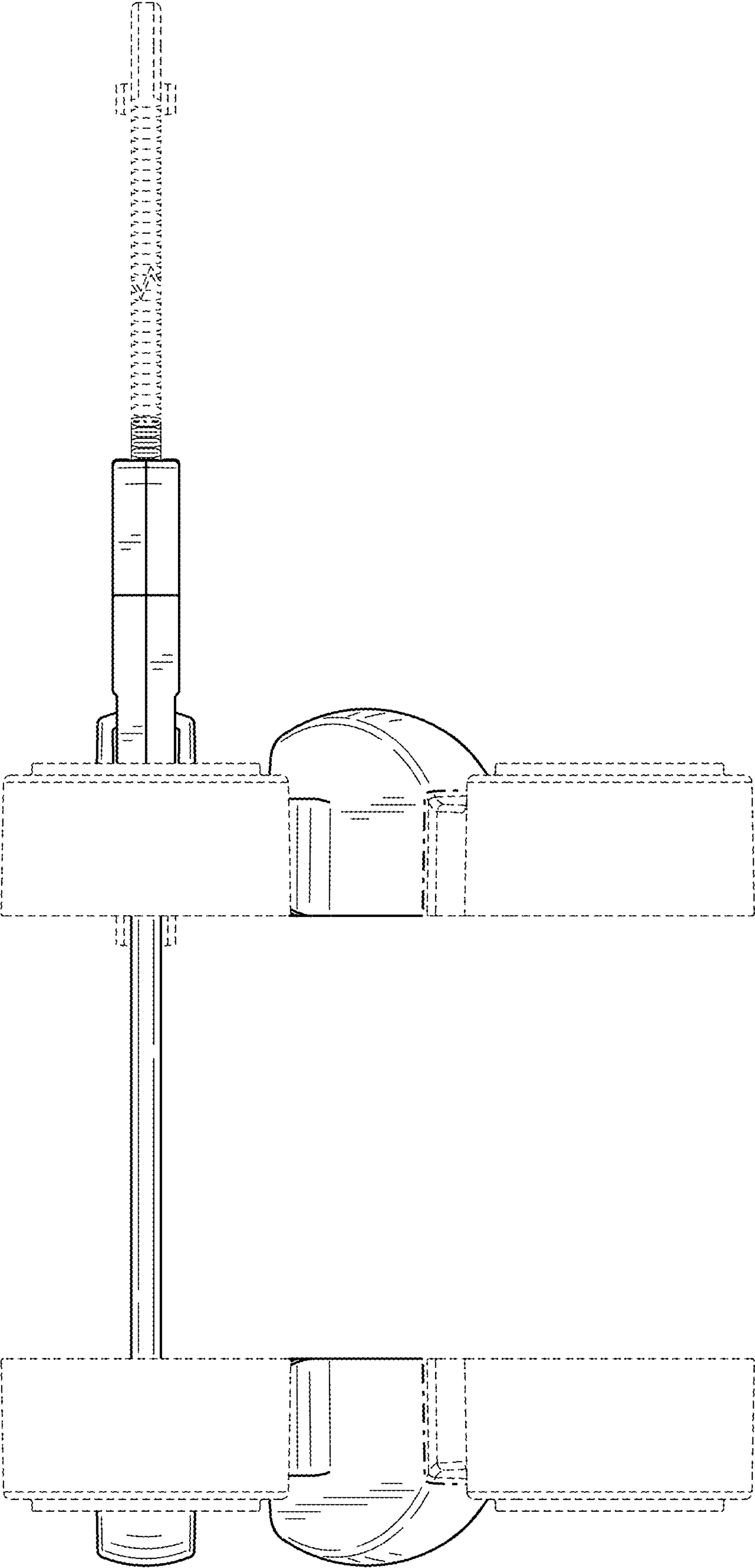


FIG. 9

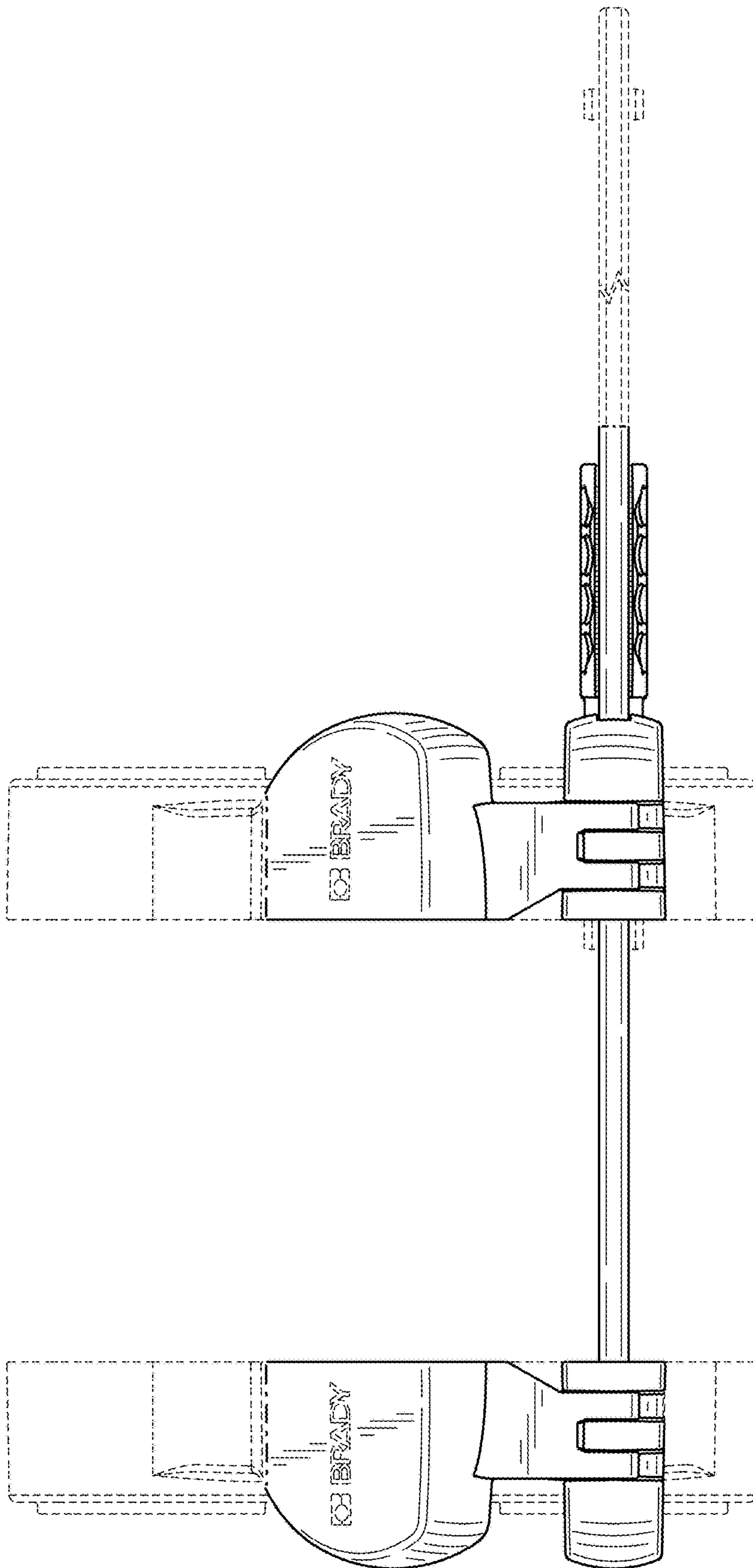


FIG. 10