



US00D824238S

(12) **United States Design Patent** (10) **Patent No.:** **US D824,238 S**
Grasselli et al. (45) **Date of Patent:** **** Jul. 31, 2018**

(54) **HANDLE ASSEMBLY WITH A COLORED MEDALLION**

(71) Applicant: **WHIRLPOOL CORPORATION**,
Benton Harbor, MI (US)

(72) Inventors: **Dario Grasselli**, Comerio (IT); **Jason W. Tippetts**, Stevensville, MI (US)

(73) Assignee: **Whirlpool Corporation**, Benton Harbor, MI (US)

(**) Term: **15 Years**

(21) Appl. No.: **29/560,831**

(22) Filed: **Apr. 11, 2016**

Related U.S. Application Data

(62) Division of application No. 29/433,141, filed on Sep. 26, 2012, now Pat. No. Des. 758,827.

(51) **LOC (11) Cl.** **08-06**

(52) **U.S. Cl.**
USPC **D8/315**

(58) **Field of Classification Search**
USPC D8/300, 306, 308, 310, 315, 319, 321,
D8/349, 350, 352, 353, 354, 355, 356,
D8/359, 394; D6/518, 523, 524, 546,
D6/549, 550, 575, 578, 580
CPC ... E05B 1/00; E05B 5/00; E05B 15/00; E05B
15/02; E05B 21/00; E05B 63/0056
See application file for complete search history.

(56) **References Cited**

U.S. PATENT DOCUMENTS

4,095,642 A 6/1978 McKinnon et al.
D261,725 S 11/1981 Stolarz
D291,518 S 8/1987 Chap
D294,321 S 2/1988 Olofsson
D327,192 S 6/1992 Geuvjehizian

D334,315 S 3/1993 Bengtson
D334,682 S 4/1993 Weeks
D335,604 S 5/1993 Lui et al.
5,216,766 A 6/1993 Lang
D350,252 S 9/1994 Tacchella
D373,041 S 8/1996 Michaelson
D374,167 S 10/1996 Scholl
5,632,062 A 5/1997 Katz et al.
D386,923 S 12/1997 Moore
D388,272 S 12/1997 Moore
D397,899 S 9/1998 Velazquez-Crespo
D410,376 S 6/1999 Scholl
D412,420 S 8/1999 Harris

(Continued)

Primary Examiner — Melanie H Tung
Assistant Examiner — Bao-Yen T Nguyen

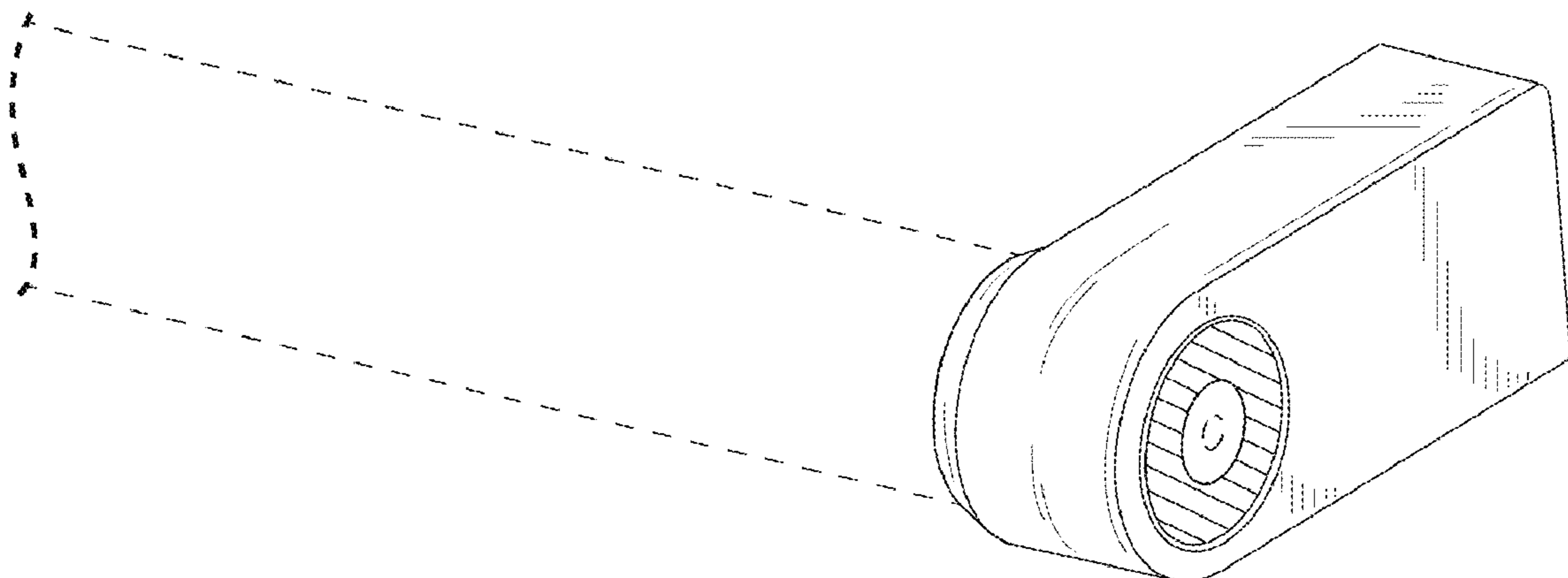
(57) **CLAIM**

The ornamental design for a handle assembly with a colored medallion, as shown and described.

DESCRIPTION

FIG. 1 is a perspective view of a handle assembly with a colored medallion, which is illustrated in an end cap of the handle assembly, showing our new design;
FIG. 2 is a partial perspective view of the handle assembly of FIG. 1;
FIG. 3 is a partial right side view of the handle assembly of FIG. 1, the left side view being a mirror image thereof;
FIG. 4 is a partial front view of the handle assembly of FIG. 1; and,
FIG. 5 is a partial top view of the handle assembly of FIG. 1.
The broken lines illustrate portions of a handle assembly with a colored medallion and forms no part of the claimed design.
The handle assembly with a colored medallion is shown with a symbolic break in FIGS. 2, 4 and 5 for ease of illustration.

1 Claim, 2 Drawing Sheets



(56)

References Cited

U.S. PATENT DOCUMENTS

D425,747 S	5/2000	Sloan	
D432,843 S	10/2000	Gastelum et al.	
D450,511 S	11/2001	Gottwald	
D454,480 S	3/2002	Ou-Young	
D455,034 S	4/2002	Ou-Young	
D455,587 S	4/2002	Ou-Young	
D466,351 S	12/2002	Tai	
D478,447 S	8/2003	Hoernig	
D488,699 S	4/2004	Jackovin	
D503,061 S *	3/2005	Fuchs	D6/549
D504,309 S	4/2005	Fuchs	
D519,310 S	4/2006	Schorling	
D521,294 S	5/2006	Ferrer Beltran	
D522,787 S	6/2006	Dekker et al.	
D523,272 S	6/2006	Ferrer Beltran	
D523,675 S	6/2006	Schorling	
D530,132 S	10/2006	Ivankovic	
D540,086 S *	4/2007	Kirar	D6/549
D540,599 S *	4/2007	Krumpe	D6/549
D551,001 S *	9/2007	Pipe	D6/524
D552,903 S *	10/2007	Bitterman	D6/524
D554,403 S	11/2007	Xiao	
D554,972 S	11/2007	Pezzetta	
D564,729 S	3/2008	Fisher	
D568,100 S	5/2008	Jeon	
D574,652 S *	8/2008	Zhang	D6/549
D606,789 S	12/2009	Krumpe	
D621,189 S	8/2010	Hutson et al.	
D764,890 S *	8/2016	Shoemaker	D15/89

* cited by examiner

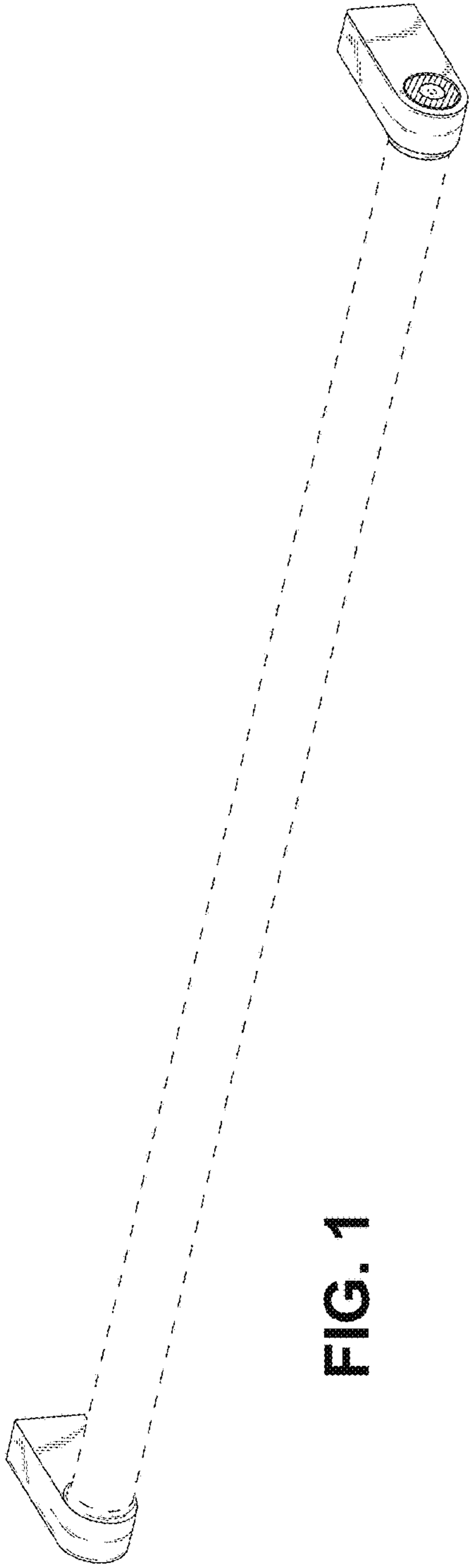


FIG. 1

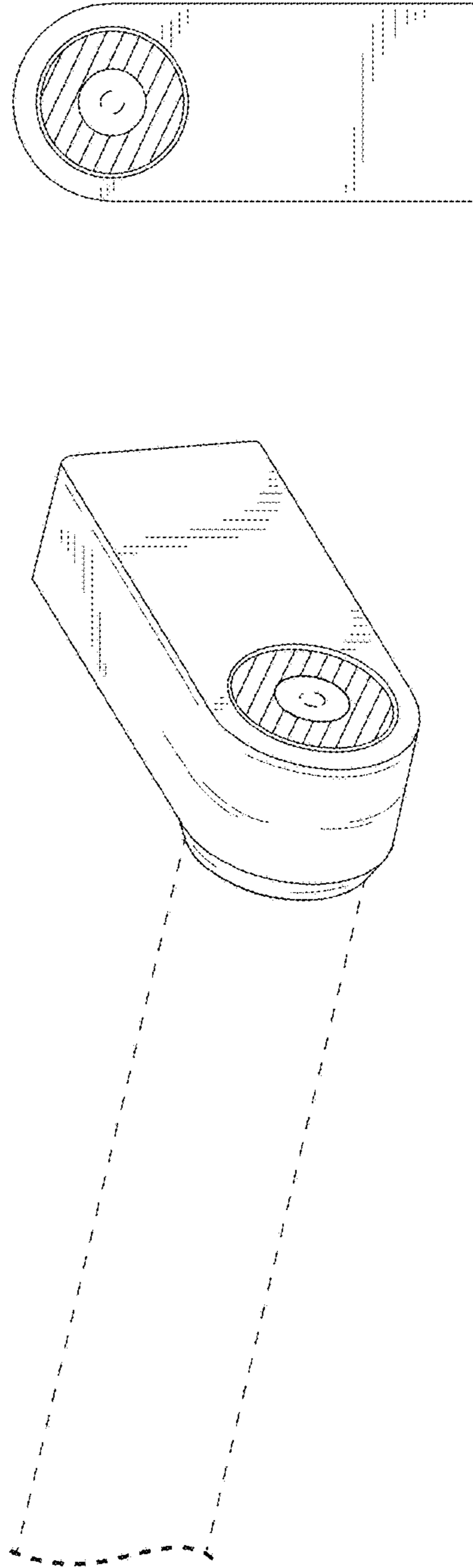


FIG. 2

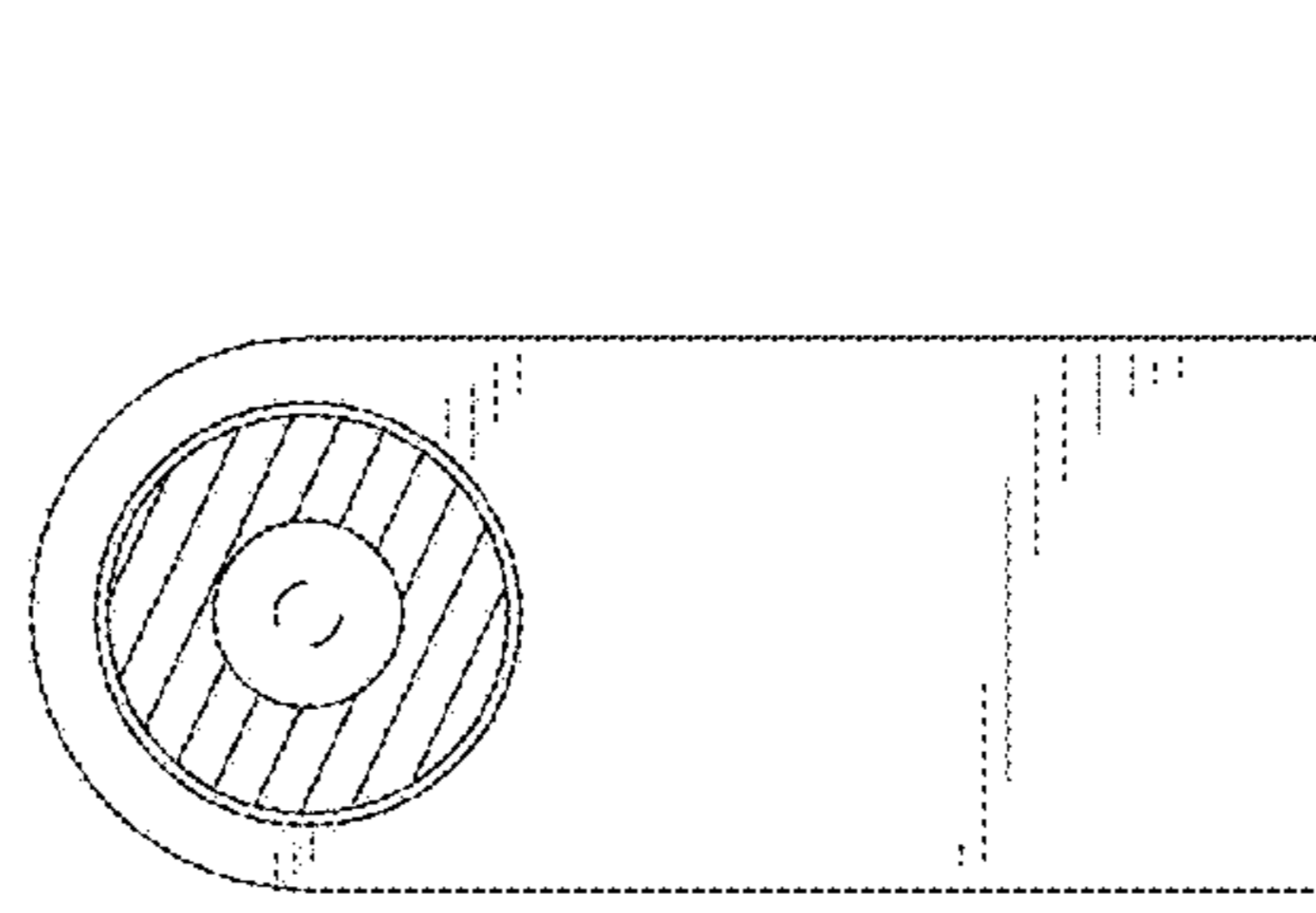


FIG. 3

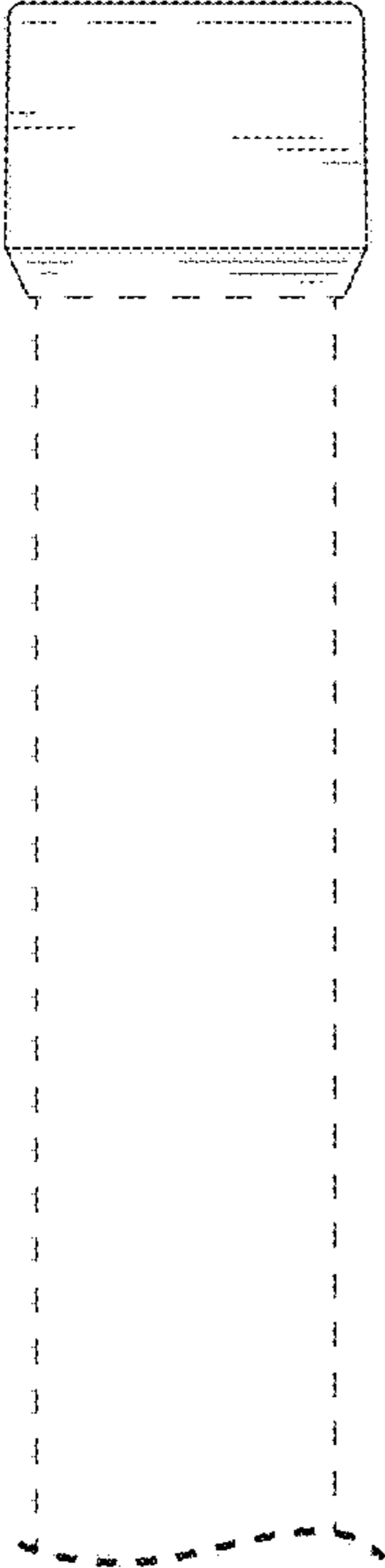


FIG. 4

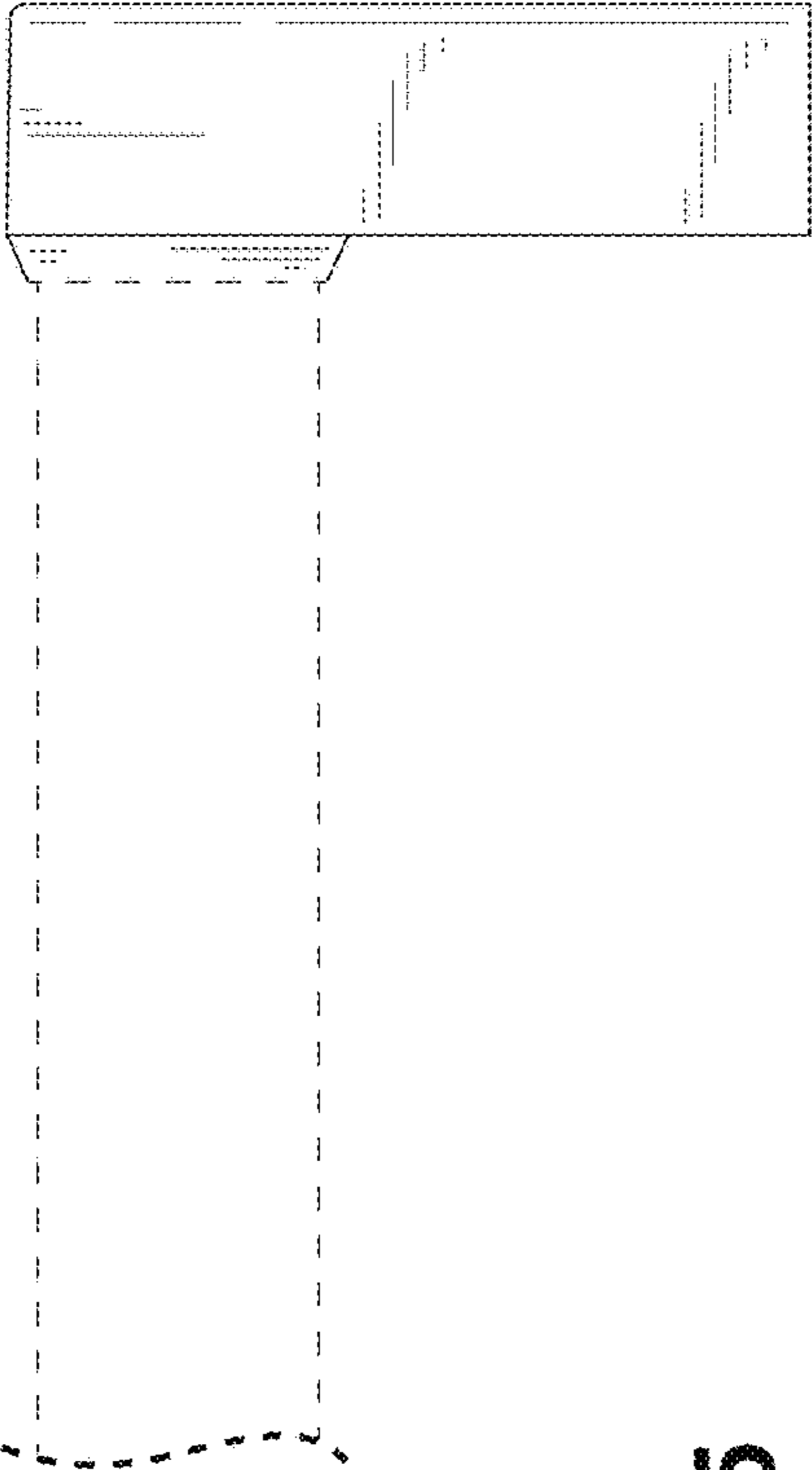


FIG. 5