



US00D824237S

(12) **United States Design Patent**
Gregory et al.

(10) **Patent No.:** **US D824,237 S**
(45) **Date of Patent:** **** Jul. 31, 2018**

- (54) **KNOB**
- (71) Applicant: **WHIRLPOOL CORPORATION**,
Benton Harbor, MI (US)
- (72) Inventors: **Christopher A. Gregory**, St. Joseph,
MI (US); **Casey L. McCuan**,
Saugatuck, MI (US); **Jason W.**
Tippetts, Stevensville, MI (US)
- (73) Assignee: **Whirlpool Corporation**, Benton
Harbor, MI (US)
- (**) Term: **15 Years**
- (21) Appl. No.: **29/589,129**
- (22) Filed: **Dec. 28, 2016**
- (51) **LOC (11) Cl.** **08-06**
- (52) **U.S. Cl.**
USPC **D8/311**
- (58) **Field of Classification Search**
USPC D8/107, 300, 301, 307, 310, 311, 312;
D10/102; D23/250, 421; D7/393, 394,
D7/396, 543, 545, 547, 548
CPC ... Y10T 292/57; Y10T 292/82; Y10T 16/469;
Y10T 16/44; Y10T 16/476; Y10T
74/2084; Y10T 292/85; Y10T 74/2087;
Y10T 16/4713; Y10T 16/506; Y10T
74/20876; Y10T 74/20612; Y10T
70/5765; Y10T 16/459; Y10T 74/2066;
Y10T 16/487; Y10T 74/20822
See application file for complete search history.

(56) **References Cited**
U.S. PATENT DOCUMENTS

1,534,356 A	4/1925	Burke
1,744,330 A	1/1930	Mull
1,793,051 A	2/1931	Butler

2,103,517 A	12/1937	De Tar
2,305,489 A	12/1942	Payne
2,526,445 A	10/1950	Young
2,539,575 A	1/1951	George
2,608,082 A	8/1952	Jones
2,682,859 A *	7/1954	Jensen H03J 1/14 116/254
2,699,141 A *	1/1955	Gaguski H01H 13/023 116/332
2,746,417 A	5/1956	McCord et al.
2,803,966 A	8/1957	Morris
2,914,953 A	12/1959	Tyzack
3,065,728 A	11/1962	Kirsten
3,090,249 A	5/1963	Martin
3,166,242 A	1/1965	Shomaker
D202,062 S	8/1965	Yamazaki
D202,273 S	9/1965	Brendgord
3,292,440 A	12/1966	Karr et al.
3,610,753 A	10/1971	Neubauer
D225,204 S	11/1972	Kendrick

(Continued)

Primary Examiner — Lauren R Calve
(74) *Attorney, Agent, or Firm* — Price Heneveld LLP

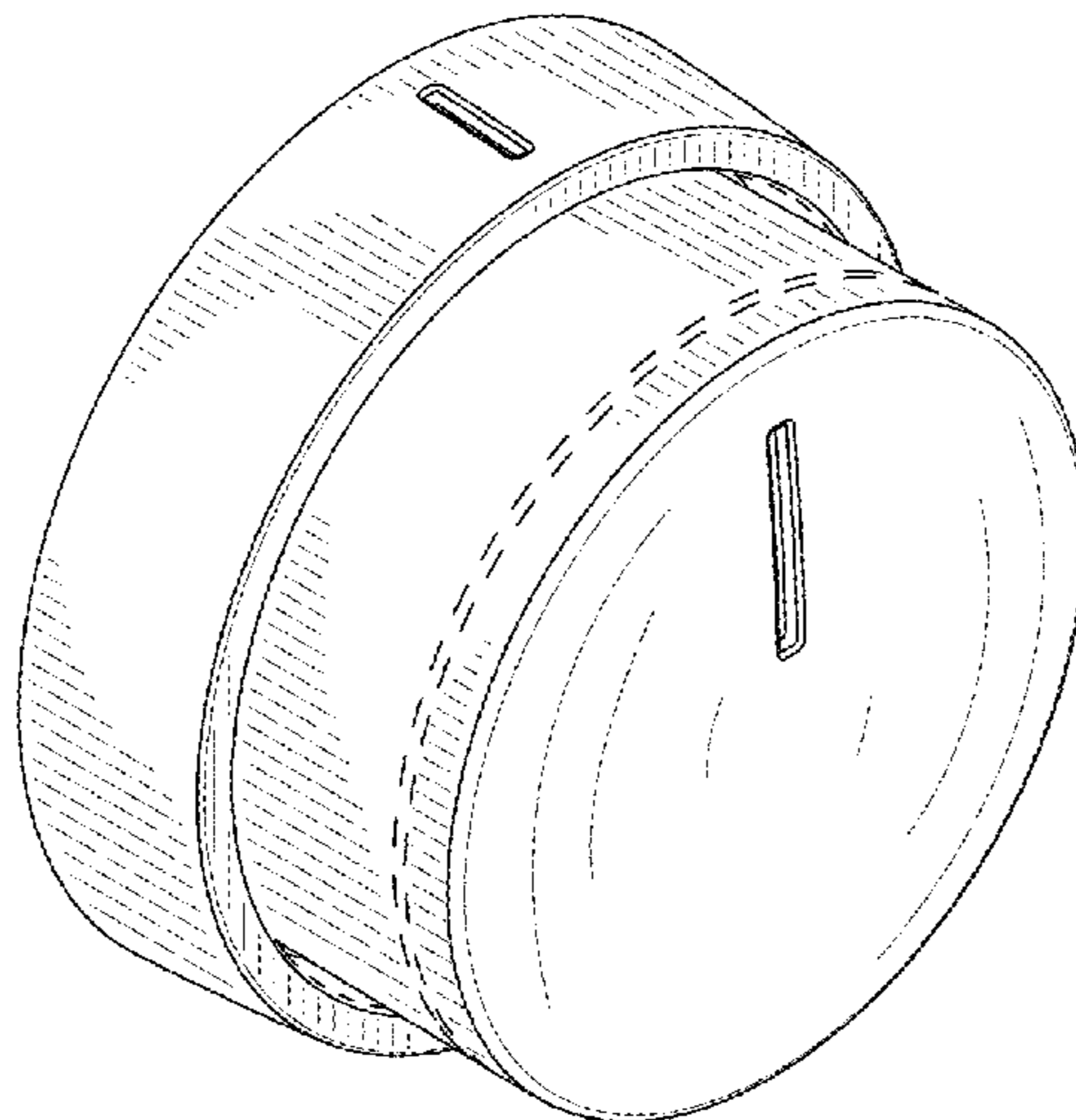
(57) **CLAIM**

We claim the ornamental design for a knob, as shown and described.

DESCRIPTION

FIG. 1 is a front perspective view of a knob of the present disclosure;
FIG. 2 is a top plan view of the knob of FIG. 1;
FIG. 3 is a bottom plan view of the knob of FIG. 1;
FIG. 4 is a first side elevational view of the knob of FIG. 1;
FIG. 5 is a second side elevational view of the knob of FIG. 1;
FIG. 6 is a front elevational view of the knob of FIG. 1; and,
FIG. 7 is a rear elevational view of the knob of FIG. 1.
The broken lines shown represent unclaimed subject matter and form no part of the claimed design.

1 Claim, 4 Drawing Sheets



(56)

References Cited

U.S. PATENT DOCUMENTS

3,724,281 A 4/1973 Dorchester
 3,737,634 A 6/1973 Gaskill et al.
 3,857,360 A 12/1974 Tonari et al.
 4,027,619 A 6/1977 Sturhan et al.
 4,140,048 A 2/1979 Grove et al.
 D266,348 S * 9/1982 Piesco D23/252
 D267,073 S 11/1982 Lefevre
 4,390,859 A 6/1983 Kasprzyk et al.
 4,409,861 A 10/1983 Sakurai et al.
 D284,064 S 6/1986 Poissant
 D316,293 S * 4/1991 Ragonot D23/250
 5,127,286 A 7/1992 Wittig
 D400,778 S 11/1998 Holbrook
 5,831,230 A 11/1998 Cole
 D419,218 S * 1/2000 Mullenmeister D23/238
 D428,641 S 7/2000 Mullenmeister
 D432,634 S 10/2000 Higgins et al.
 6,196,943 B1 3/2001 Chen
 D443,496 S 6/2001 DeCosse
 D467,489 S 12/2002 Rubinson
 6,710,565 B2 3/2004 Maeda
 D498,657 S 11/2004 Milrud et al.
 D510,515 S 10/2005 Miller
 D511,290 S * 11/2005 Coudurier D8/310
 D511,669 S 11/2005 Miller
 D521,314 S 5/2006 Ball
 D521,801 S 5/2006 Huxhold et al.
 7,044,023 B2 5/2006 Toniolo et al.
 D525,517 S 7/2006 Baldwin
 D525,518 S 7/2006 Baldwin
 D534,628 S * 1/2007 Chisenhall D12/192
 7,251,861 B2 * 8/2007 Suzuki H01H 3/10
 16/433
 7,259,908 B2 * 8/2007 Wagoner G02B 21/24
 359/368
 D562,347 S 2/2008 Morisawa et al.
 D567,060 S 4/2008 Busalt et al.
 D568,715 S * 5/2008 Gustafson D6/307
 7,381,128 B2 * 6/2008 Ogawa B60H 1/0065
 454/143
 D573,000 S 7/2008 Martin et al.
 D577,983 S 10/2008 Martin et al.

D597,632 S * 8/2009 Obara D23/250
 7,571,663 B2 8/2009 Vigil
 D612,704 S 3/2010 Funnell et al.
 D612,705 S 3/2010 Baker et al.
 D619,873 S 7/2010 Bhattacharya
 D619,874 S 7/2010 Bhattacharya
 D620,778 S 8/2010 Bixby et al.
 D628,457 S 12/2010 Bengtson
 D634,156 S 3/2011 Fuller et al.
 D634,602 S 3/2011 Bengtson
 D635,311 S 3/2011 Ott
 D637,886 S 5/2011 Bengtson
 D642,042 S 7/2011 Kim et al.
 D644,912 S 9/2011 Benold
 8,104,371 B2 1/2012 Morizono et al.
 8,192,319 B2 6/2012 Rheme et al.
 D668,928 S 10/2012 Butan et al.
 8,430,460 B2 * 4/2013 Erro A47F 3/043
 16/414
 D696,068 S * 12/2013 Baacke D7/402
 D703,998 S 5/2014 Funnell, II et al.
 D704,028 S 5/2014 Meda et al.
 D710,673 S 8/2014 Boo et al.
 D713,236 S * 9/2014 Park D8/310
 8,866,643 B2 10/2014 Sano
 D720,199 S 12/2014 Clements et al.
 D722,815 S 2/2015 Fuller et al.
 9,122,300 B2 9/2015 Oosawa
 D741,454 S * 10/2015 Freier G05D 23/1393
 D23/250
 D751,366 S 3/2016 Fuller et al.
 D764,028 S * 8/2016 Schoenherr D23/254
 D787,638 S * 5/2017 Schoenherr D23/250
 D790,314 S * 6/2017 Jeon D8/311
 2005/0145466 A1 7/2005 Wang
 2008/0078054 A1 4/2008 Huang
 2008/0289940 A1 11/2008 Kim et al.
 2010/0000417 A1 1/2010 Tetreault et al.
 2011/0247374 A1 10/2011 Miller et al.
 2012/0241654 A1 9/2012 Clifford
 2014/0047943 A1 * 2/2014 Camli G05G 1/08
 74/553
 2014/0369672 A1 12/2014 Hussain et al.
 2017/0185099 A1 6/2017 Edinger et al.

* cited by examiner

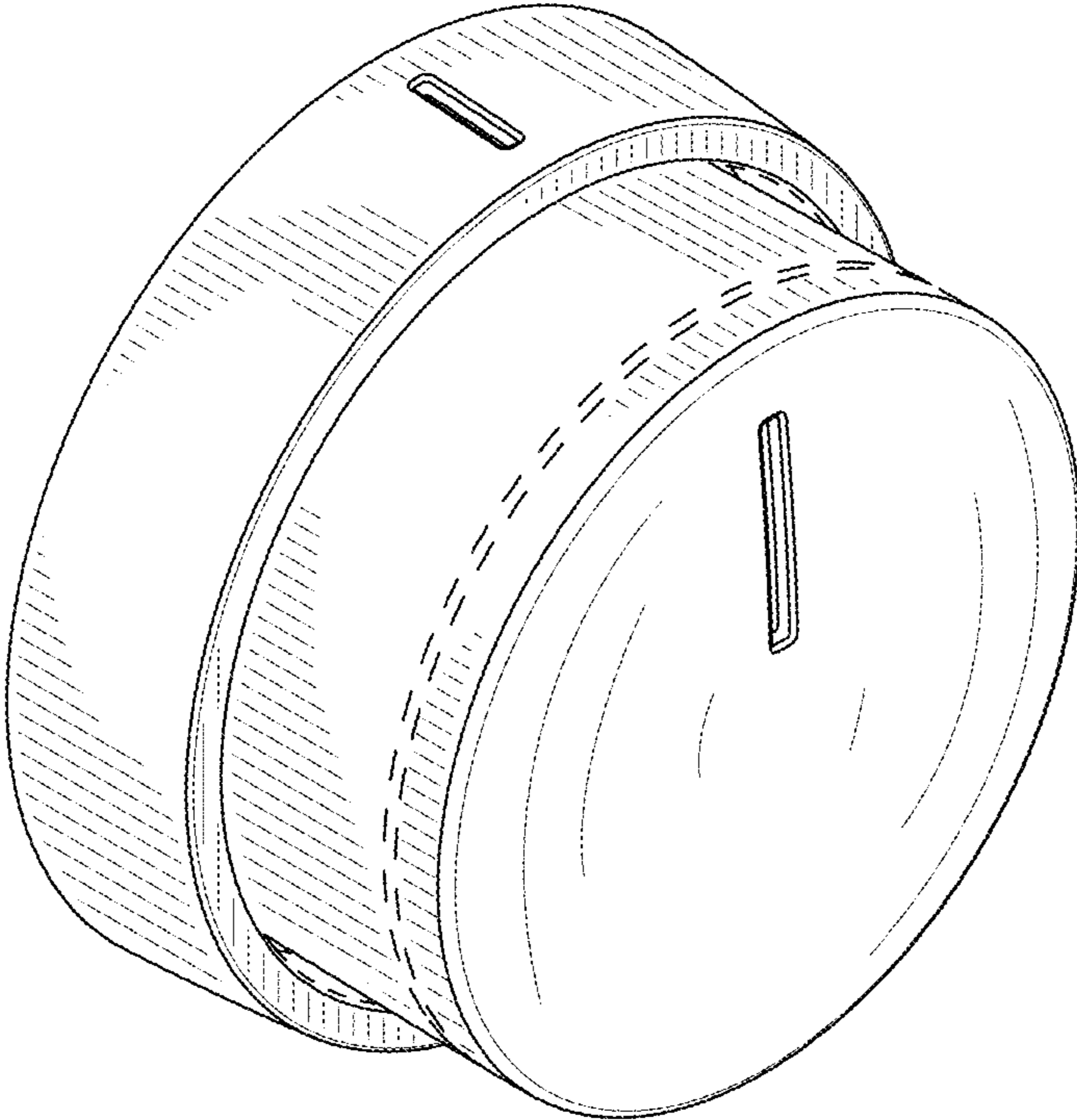


FIG. 1

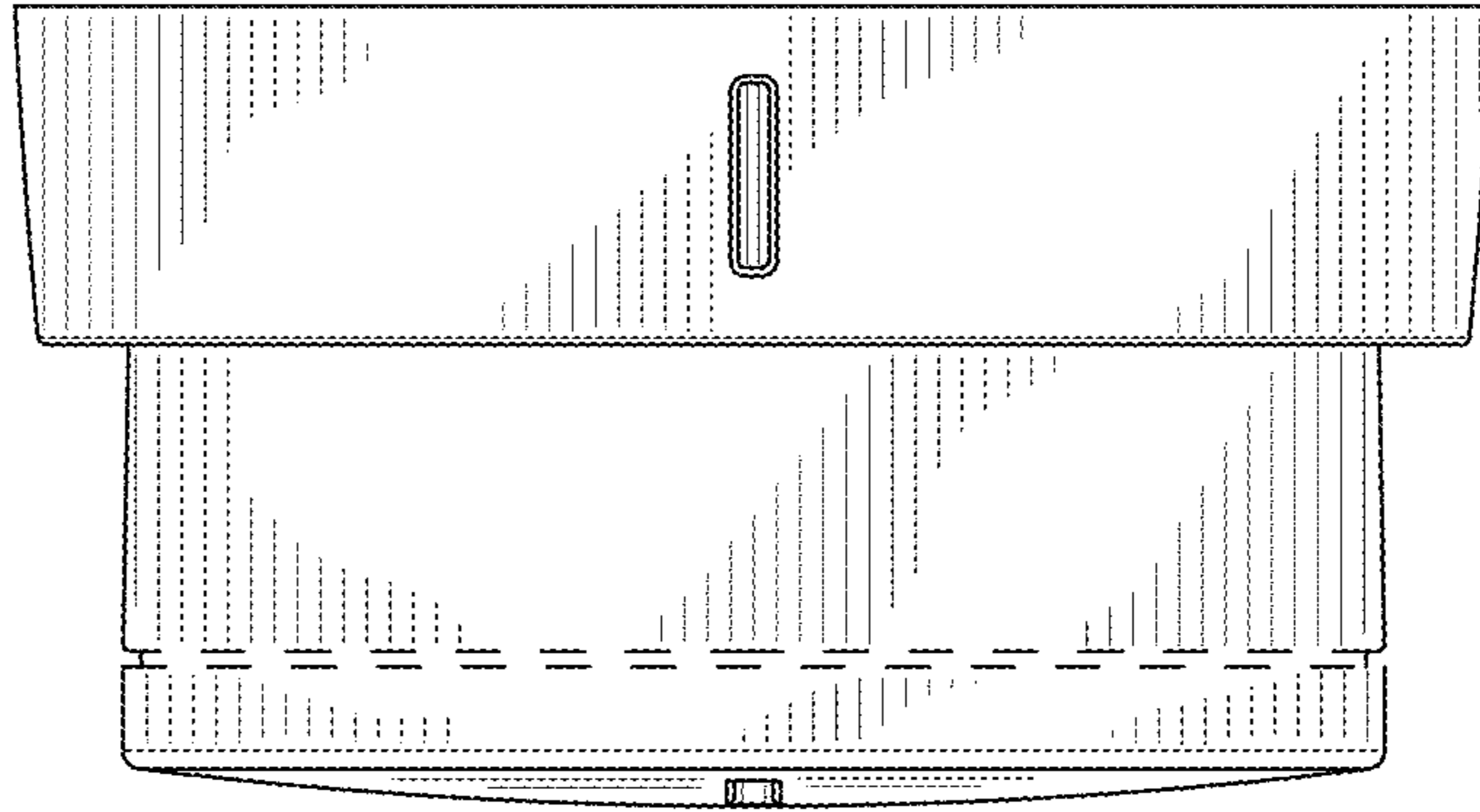


FIG. 2

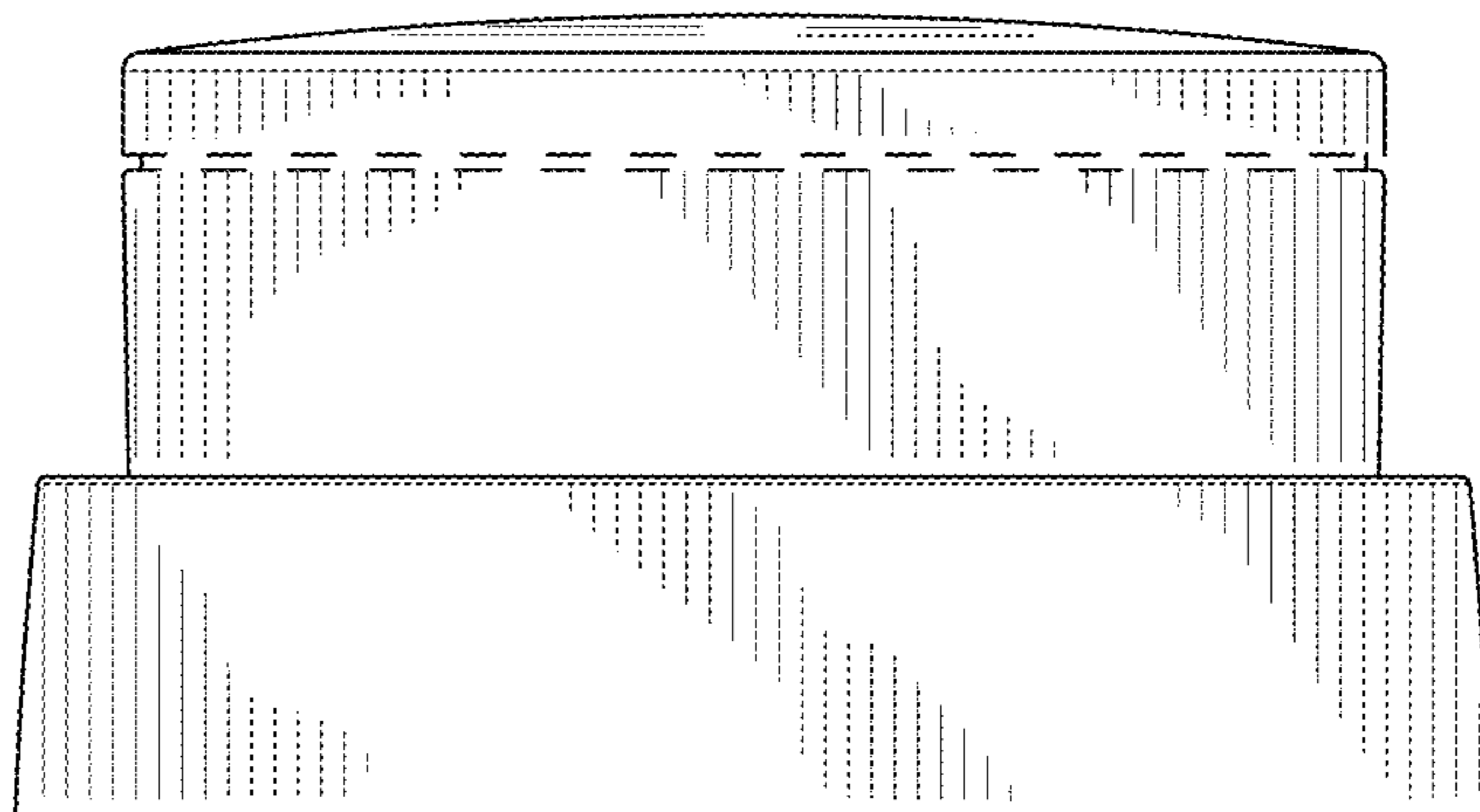


FIG. 3

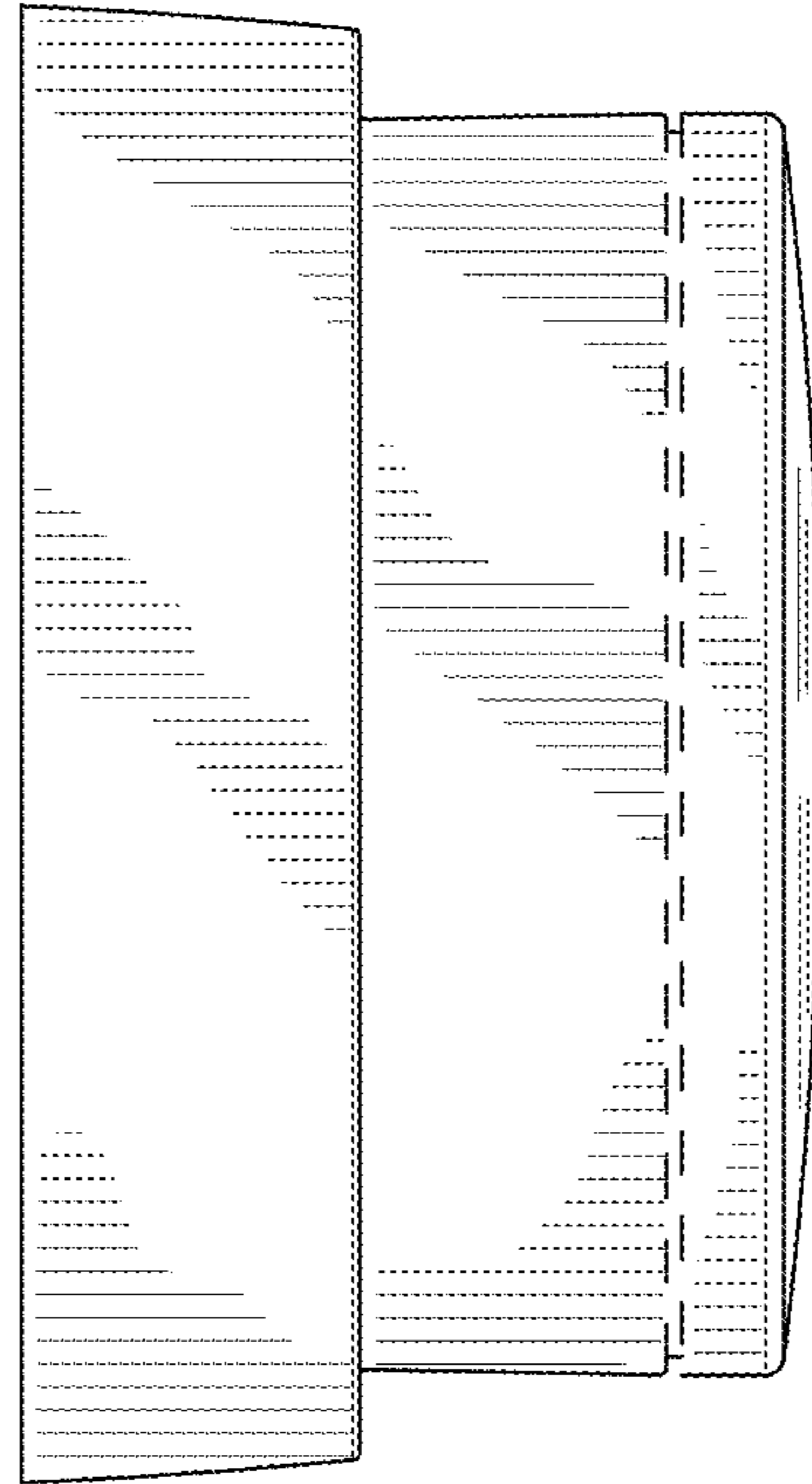


FIG. 4

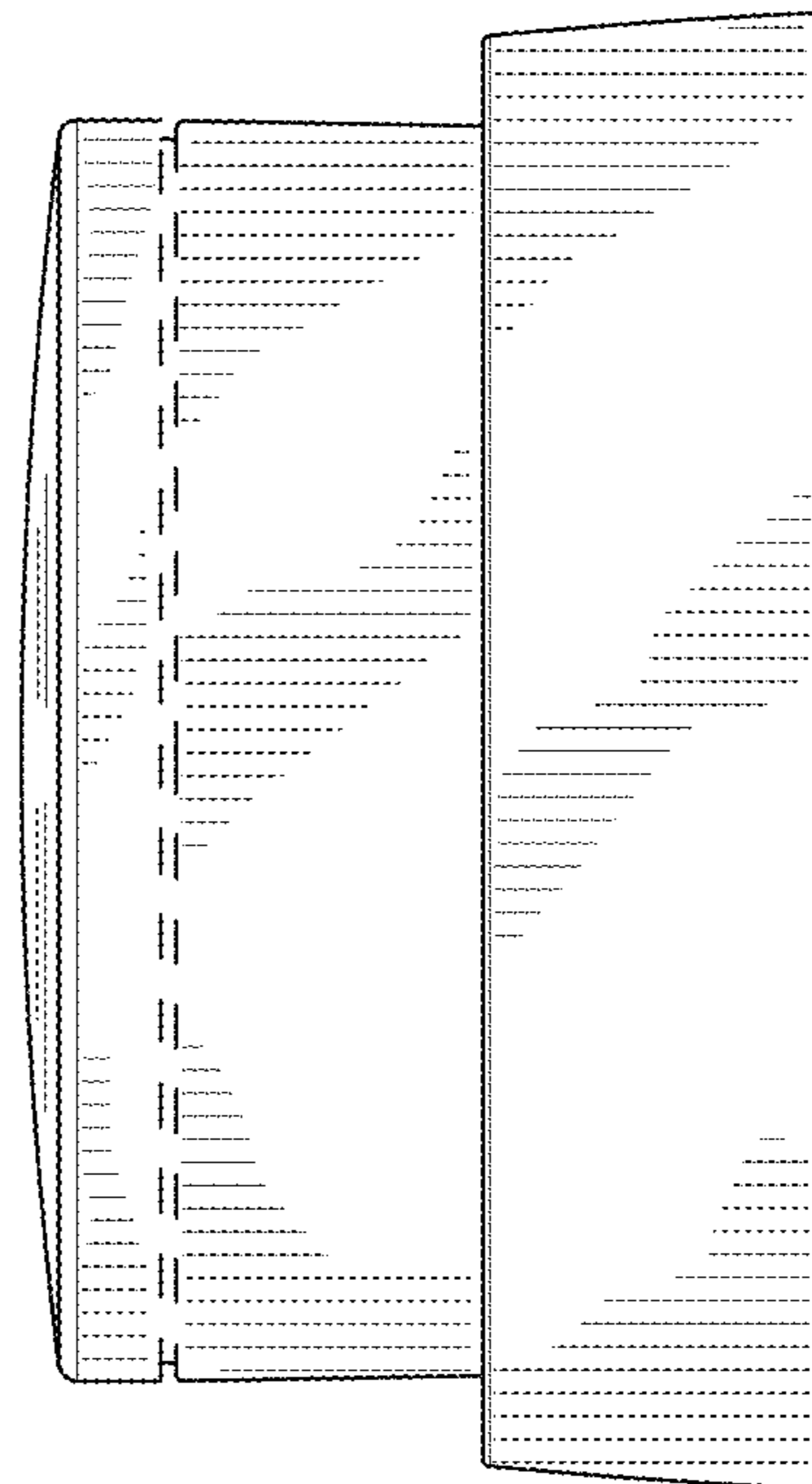


FIG. 5

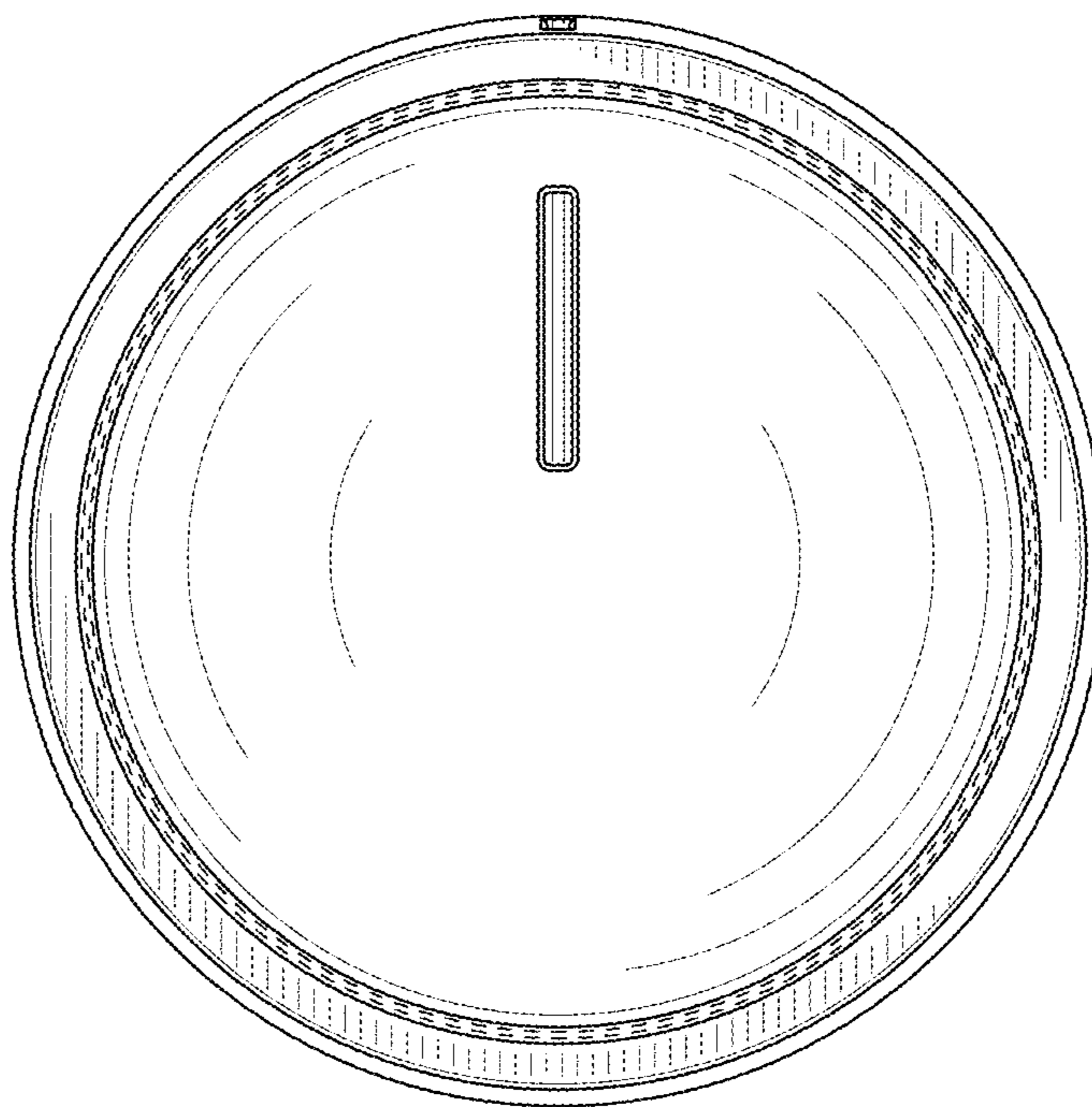


FIG. 6

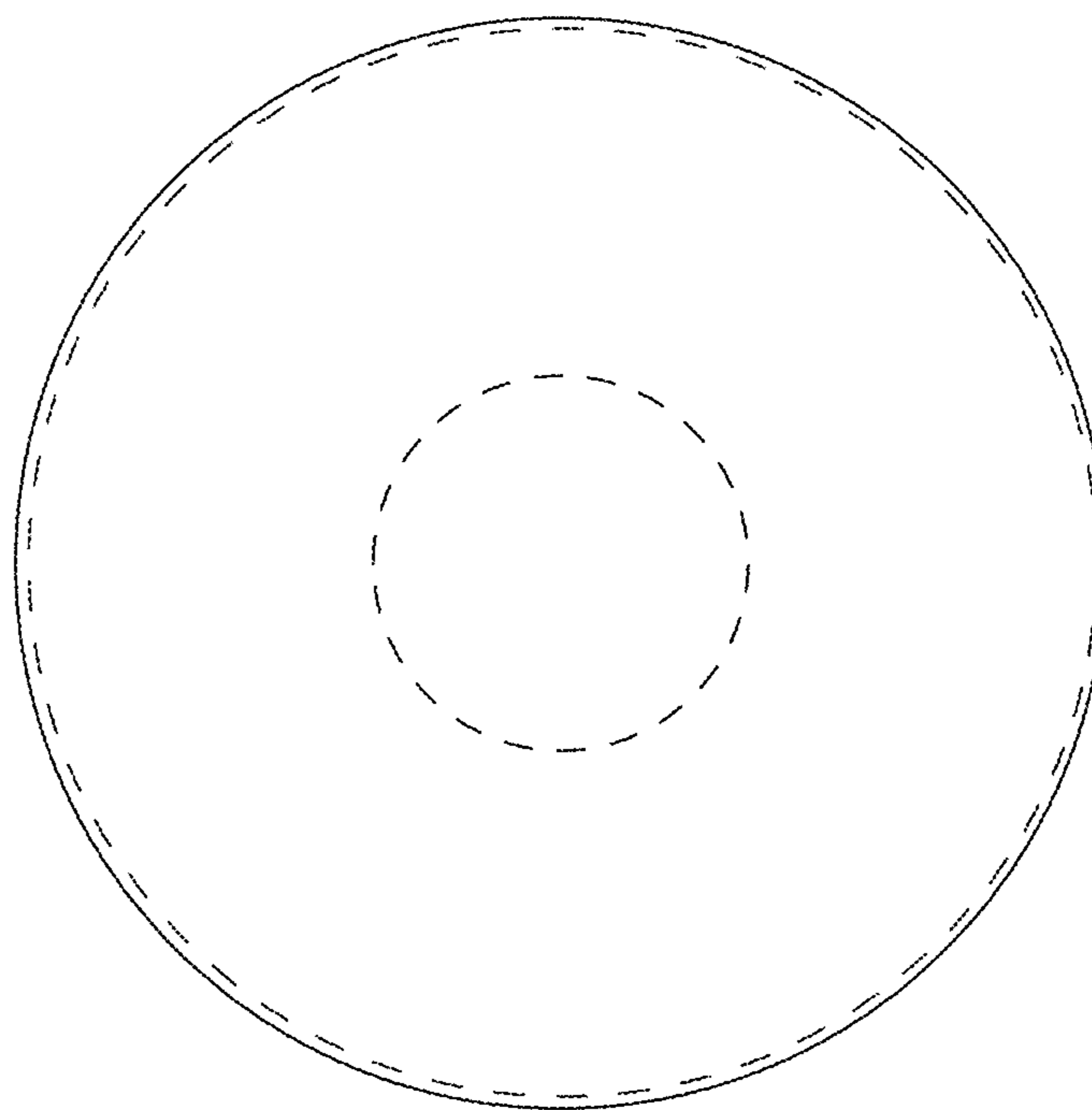


FIG. 7