



US00D824234S

(12) **United States Design Patent**
Pacheco, III et al.

(10) **Patent No.:** **US D824,234 S**

(45) **Date of Patent:** **** Jul. 31, 2018**

- (54) **MULTI-PURPOSE FRAMING HAMMER**
- (71) Applicants: **Gilbert Pacheco, III**, Frisco, TX (US);
Gilbert Pacheco, IV, Frisco, TX (US)
- (72) Inventors: **Gilbert Pacheco, III**, Frisco, TX (US);
Gilbert Pacheco, IV, Frisco, TX (US)

8,024,994 B2 9/2011 St. John
 8,117,702 B2 * 2/2012 Woolley B25F 1/00
 7/146
 D752,940 S * 4/2016 Deng D8/81
 D769,099 S * 10/2016 Trice D8/78
 9,670,042 B2 * 6/2017 Liou B66F 15/00

- (**) Term: **15 Years**
- (21) Appl. No.: **29/605,237**

- (22) Filed: **May 24, 2017**
- (51) **LOC (11) Cl.** **08-02**
- (52) **U.S. Cl.**
USPC **D8/81**
- (58) **Field of Classification Search**
USPC ... D8/14, 75, 76, 77, 78, 79, 80, 81, 88, 89,
D8/105
CPC B25F 1/00; B25D 1/00; B25D 1/02; B25D
1/04; B25D 1/045; B25D 1/06; B25D
1/12; B66F 15/00; B25G 1/102
See application file for complete search history.

(56) **References Cited**

U.S. PATENT DOCUMENTS

D300,111 S *	3/1989	Square	D8/75
D507,167 S	7/2005	Richardson		
D562,101 S	2/2008	Martone		
D567,620 S *	4/2008	Martone	D8/79
D572,106 S *	7/2008	Chen	D8/81
D577,274 S *	9/2008	Chen	D8/81
D588,894 S *	3/2009	Chen	D8/81
D595,555 S *	7/2009	Vanderbeek	D8/81

OTHER PUBLICATIONS

Photograph (attached) of subject invention shown next to Demolition Utility Tool of U.S. Pat. No. 8,024,994, purchased by Applicant on Mar. 30, 2017.

* cited by examiner

Primary Examiner — Philip S Hyder
(74) *Attorney, Agent, or Firm* — Amster, Rothstein & Ebenstein, LLP

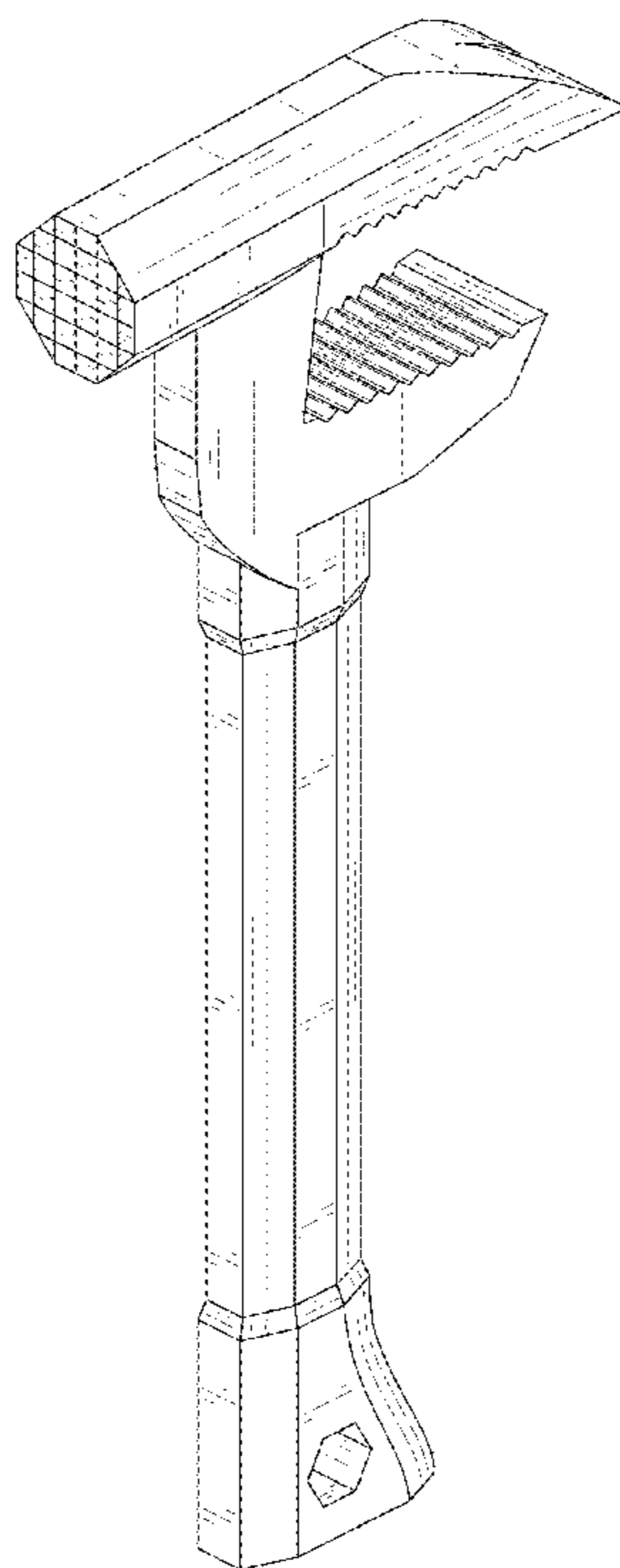
(57) **CLAIM**

The ornamental design for a multi purpose framing hammer, substantially as shown and described.

DESCRIPTION

FIG. 1 is a right side front elevational perspective view of a multi purpose framing hammer showing our new design; FIG. 2 is a front elevational view thereof; FIG. 3 is a rear elevational view thereof; FIG. 4 is a left side elevational view thereof; FIG. 5 is a right side elevational view thereof; FIG. 6 is a top plan view thereof; and, FIG. 7 is bottom plan view thereof;

1 Claim, 5 Drawing Sheets



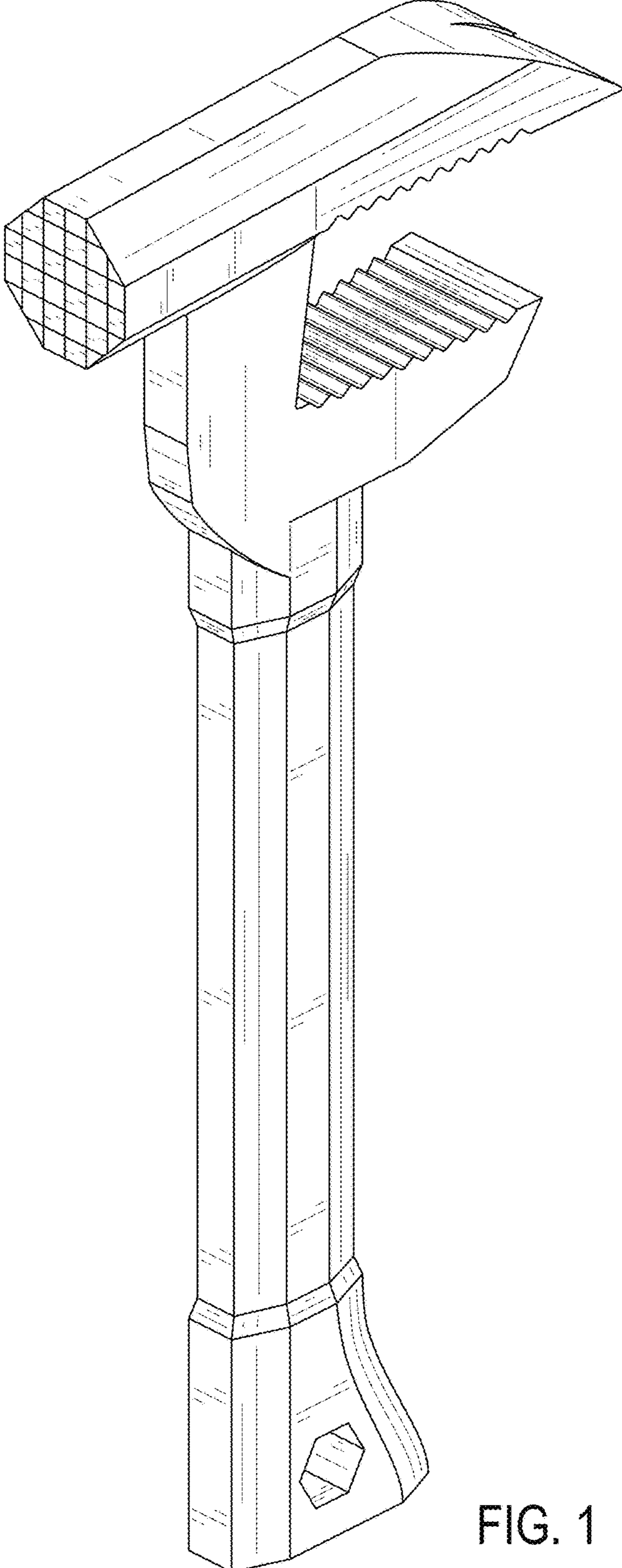


FIG. 1

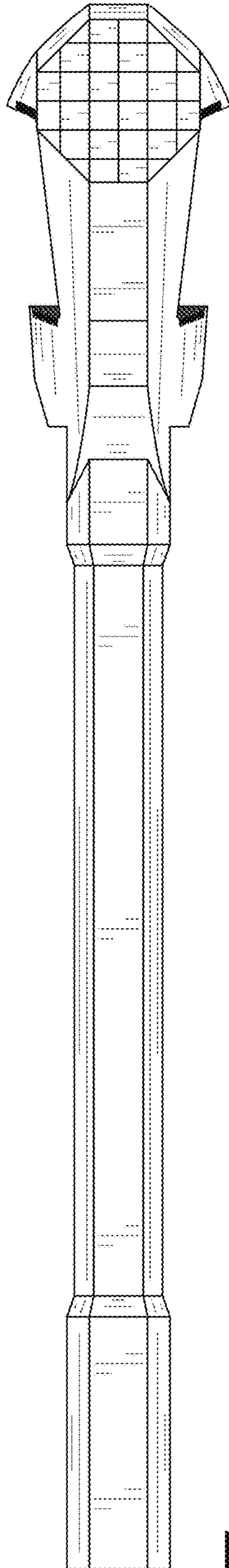


FIG. 2

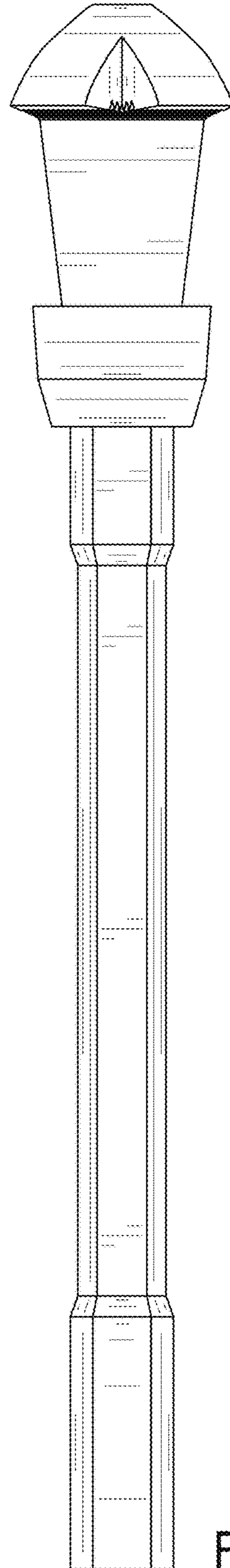


FIG. 3

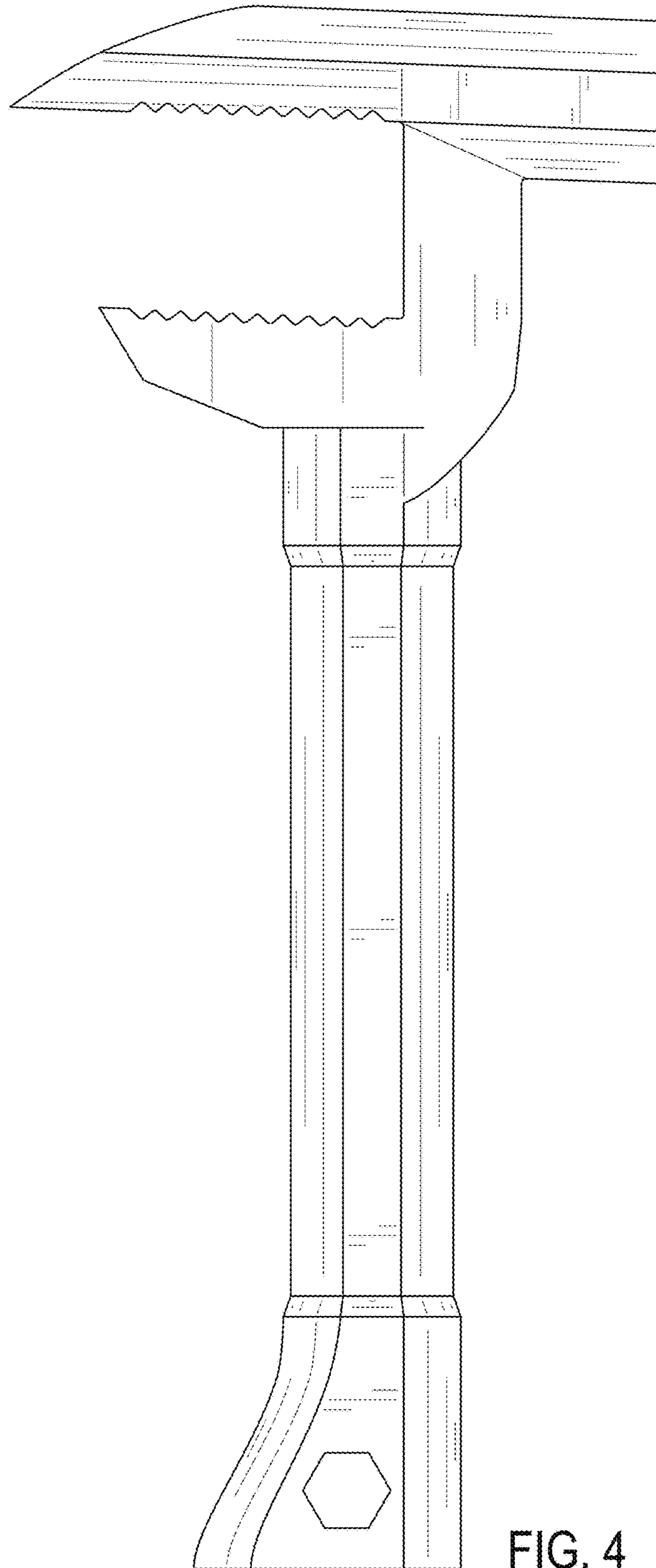


FIG. 4

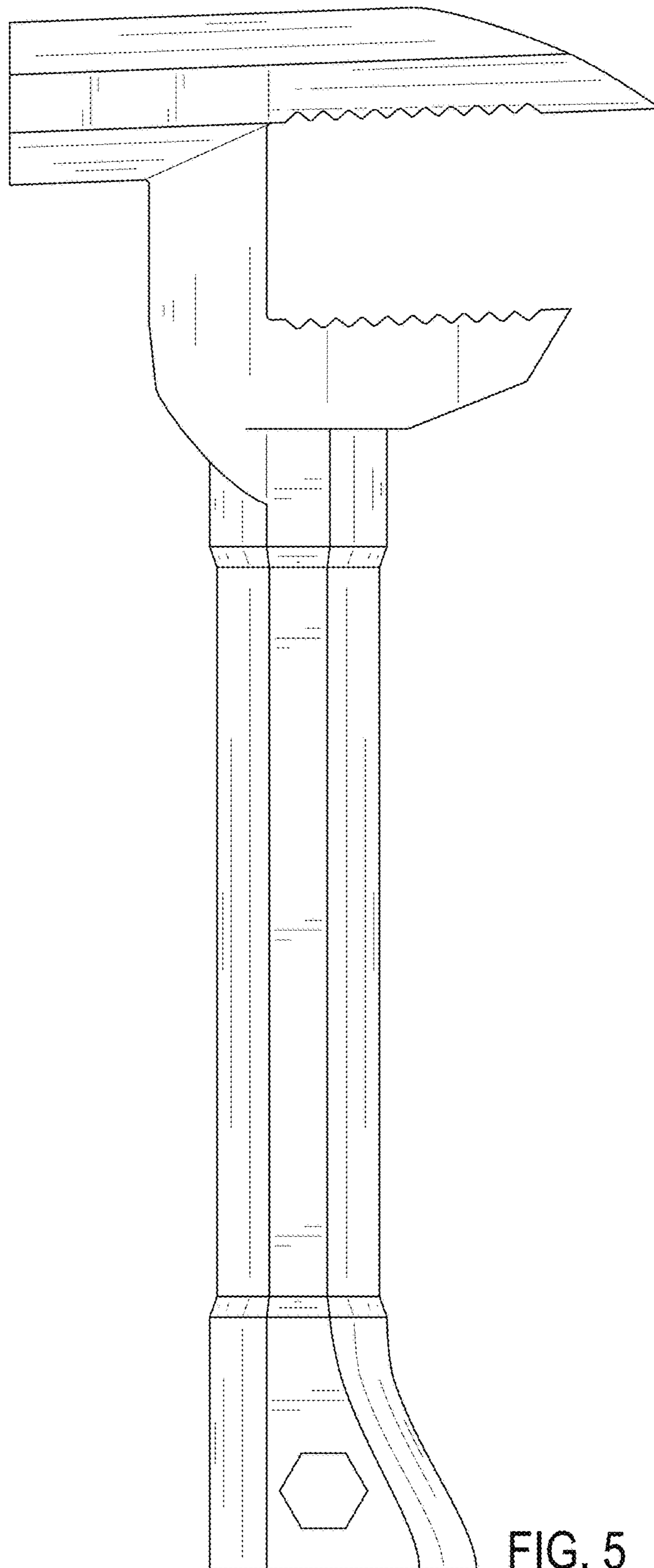


FIG. 5

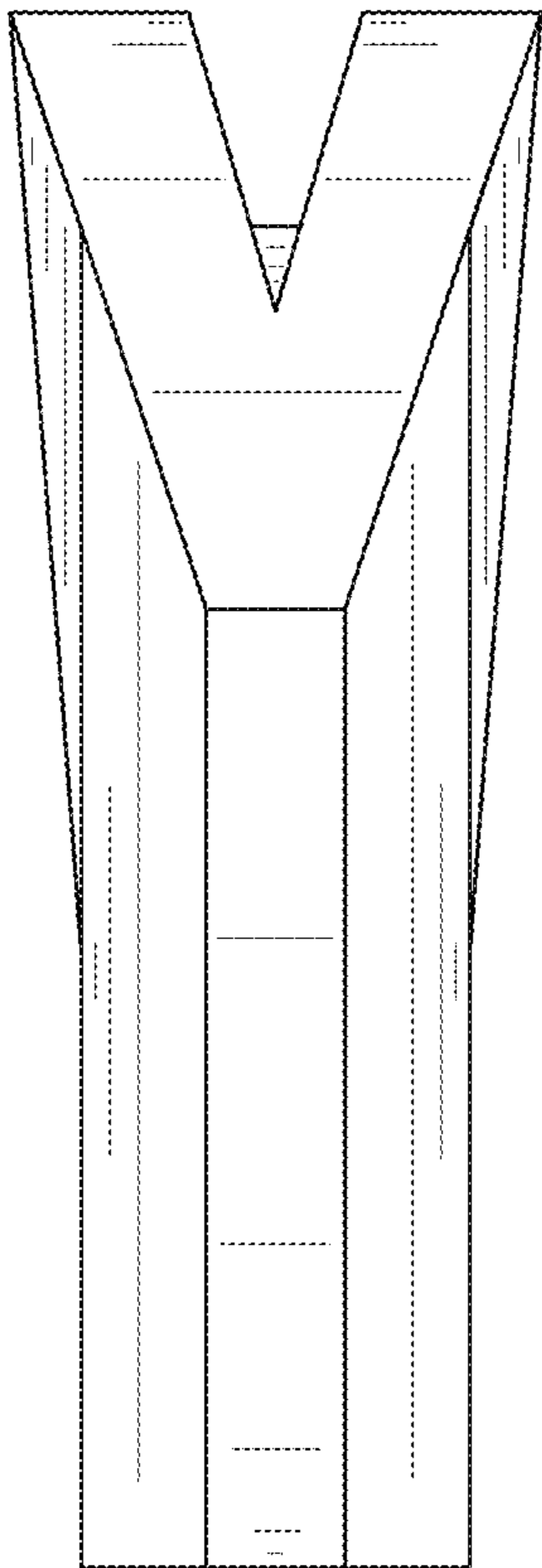


FIG. 6

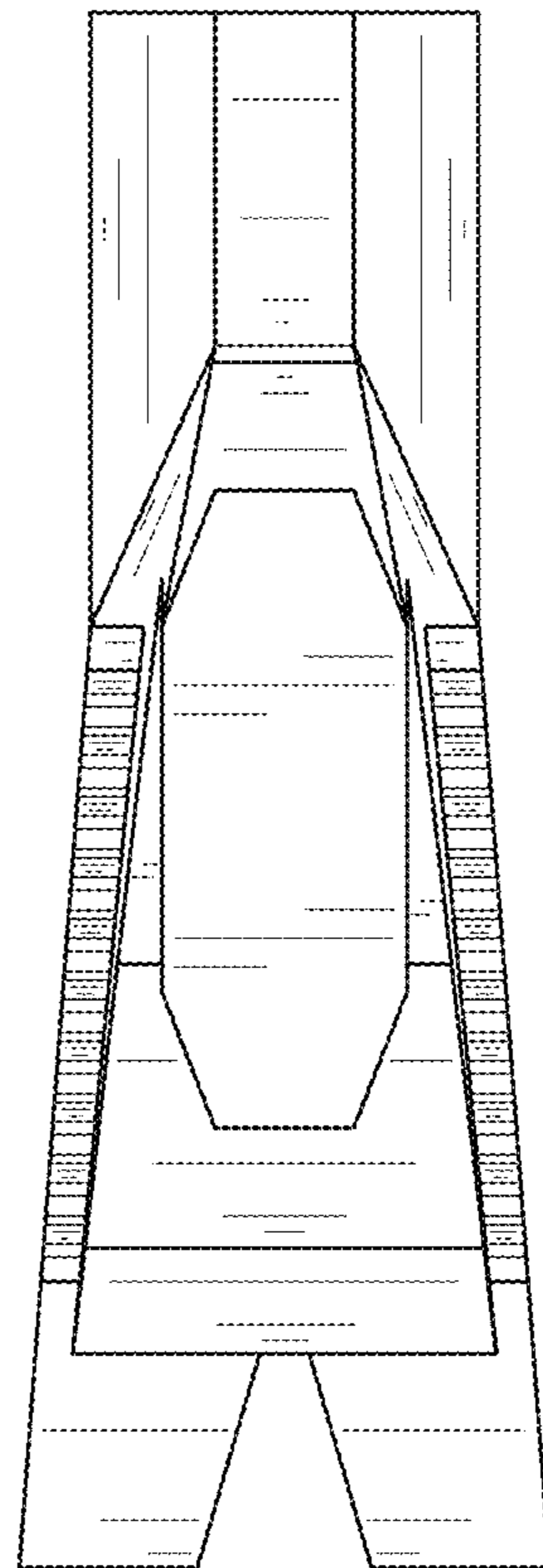


FIG. 7