



US00D824233S

(12) **United States Design Patent** (10) **Patent No.:** **US D824,233 S**  
**Hyde** (45) **Date of Patent:** **\*\* Jul. 31, 2018**

(54) **ADJUSTABLE BENCH STOP CLAMP**  
(71) Applicant: **Lee Valley Tools Ltd.**, Ottawa (CA)  
(72) Inventor: **Brent K. Hyde**, Ottawa (CA)  
(73) Assignee: **Lee Valley Tools Ltd.**, Ottawa, Ontario (CA)  
(\*\*) Term: **15 Years**

326,138 A 9/1885 Moore et al.  
379,885 A 3/1888 Brooks et al.  
467,781 A 1/1892 Palm et al.  
493,364 A 3/1893 Lewis et al.  
(Continued)

**FOREIGN PATENT DOCUMENTS**

AU 241243 10/1962  
BE 505411 9/1951  
(Continued)

(21) Appl. No.: **29/583,182**  
(22) Filed: **Nov. 2, 2016**  
(51) **LOC (11) Cl.** ..... **08-05**  
(52) **U.S. Cl.**  
USPC ..... **D8/72**  
(58) **Field of Classification Search**  
USPC ..... D8/71-74, 394-399, 354, 355, 356, 59;  
248/62, 63, 72, 74.1, 689, 124.2; 81/487,  
81/385, 386, 388-390; 269/3, 4, 6, 143,  
269/165, 240, 243, 246-249, 254 R,  
269/147-149; 29/256, 257, 276;  
D15/140; D24/143; 408/103, 104-109;  
D7/683, 685, 686; D6/684  
CPC ..... B25B 1/00; B25B 5/00; B25B 1/2478;  
B25B 1/103; B25B 1/22; B25B 1/2405;  
B25B 1/2457

**OTHER PUBLICATIONS**

Lee Valley website, Veritas Quick Release Wonder Dog, Aug. 21, 2017, [http://www.leevalley.com/us/wood/page.aspx?p=74622&cat=1,41637.\\*](http://www.leevalley.com/us/wood/page.aspx?p=74622&cat=1,41637.*)  
(Continued)

*Primary Examiner* — David Muller  
*Assistant Examiner* — Nathan Johnston  
(74) *Attorney, Agent, or Firm* — Kilpatrick Townsend & Stockton LLP

(57) **CLAIM**

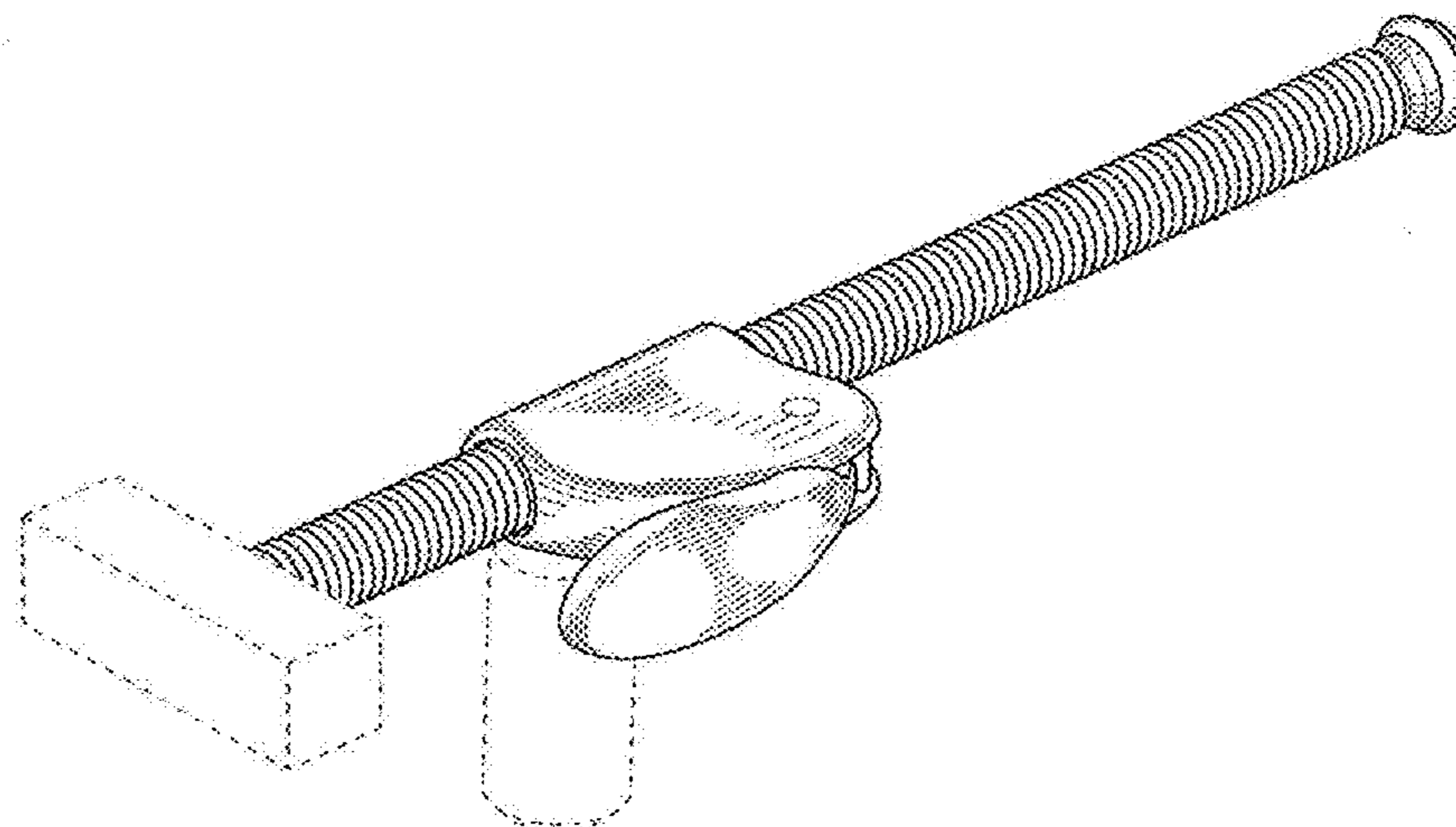
The ornamental design for an adjustable bench stop clamp, as shown and described.

**DESCRIPTION**

FIG. 1 is a perspective view of the adjustable bench stop clamp showing my new design;  
FIG. 2 is a right side elevation view thereof;  
FIG. 3 is a left side elevation view thereof;  
FIG. 4 is a rear elevation view thereof;  
FIG. 5 is a front elevation view thereof;  
FIG. 6 is a top plan view thereof; and,  
FIG. 7 is a bottom plan view thereof.  
The portions of the drawings in broken lines illustrate portions of the adjustable bench stop clamp that form no part of the claimed design.

(56) **References Cited**  
U.S. PATENT DOCUMENTS  
3,212 A 8/1843 Mathews et al.  
27,592 A 3/1860 Cooper  
95,337 A 9/1869 Goulden  
97,376 A 11/1869 Fenner  
162,866 A 5/1875 John et al.  
177,090 A 5/1876 James et al.  
201,407 A 3/1878 Gordon et al.  
241,243 A 5/1881 Johannes et al.  
278,666 A 5/1883 Eben et al.  
293,058 A 2/1884 Moore et al.

**1 Claim, 3 Drawing Sheets**



(56)

References Cited

U.S. PATENT DOCUMENTS

505,411 A 9/1893 Willard et al.  
 515,986 A 3/1894 Barnard  
 595,546 A 12/1897 William et al.  
 623,175 A 4/1899 Palmer  
 651,929 A 4/1900 Olson et al.  
 663,145 A 12/1900 Zwart  
 742,647 A 10/1903 Herriman  
 816,508 A 3/1906 Snow  
 825,151 A 7/1906 McLean  
 851,577 A 4/1907 Weaver  
 917,243 A 4/1909 Boyle  
 921,296 A 5/1909 Smith  
 939,284 A 11/1909 Walter et al.  
 985,857 A 3/1911 Thomas  
 1,055,278 A 3/1913 Hunt  
 1,269,262 A 6/1918 Crawford  
 1,392,434 A 10/1921 Miller  
 1,406,695 A 2/1922 Staudt  
 1,479,209 A 1/1924 Topp  
 1,509,509 A 9/1924 Gustafson  
 1,777,789 A 10/1930 Droutz et al.  
 1,954,708 A 4/1934 Mass  
 D181,115 S 12/1939 Vogl  
 2,220,214 A 11/1940 Cloutier et al.  
 2,231,646 A 2/1941 Wahlstrom et al.  
 2,331,831 A 10/1943 Gordon  
 2,398,941 A 4/1946 Jordan et al.  
 D151,428 S 10/1948 Clauss  
 D151,429 S 10/1948 Clauss  
 2,560,525 A 7/1951 Nyl  
 2,877,815 A 3/1959 Fonken  
 2,994,236 A 8/1961 McCormick et al.  
 3,208,744 A 9/1965 Slifer  
 3,339,912 A 9/1967 Stack  
 3,380,730 A 4/1968 Carver  
 D227,439 S 6/1973 Brothers  
 D231,082 S \* 4/1974 Lewis ..... D8/392  
 3,850,421 A 11/1974 Orris et al.  
 D239,434 S 4/1976 Linn  
 3,993,298 A 11/1976 Marshall et al.  
 4,084,803 A 4/1978 Beekenkamp  
 D271,660 S 12/1983 Elmore et al.  
 4,468,018 A 8/1984 Vaizey  
 4,470,586 A 9/1984 Spencer et al.  
 4,492,370 A 1/1985 Park  
 4,524,960 A 6/1985 LPoire  
 D280,285 S \* 8/1985 Miller ..... D10/70  
 D282,143 S 1/1986 Tarquinio  
 D286,609 S 11/1986 Hickman  
 4,809,962 A 3/1989 Lee  
 4,834,354 A 5/1989 Yang  
 4,858,902 A 8/1989 Hickman  
 4,867,427 A 9/1989 Cunningham  
 4,953,839 A 9/1990 Chern  
 D318,409 S 7/1991 Garrett  
 5,048,653 A 9/1991 Fellows  
 5,127,639 A 7/1992 Tucker et al.  
 D339,728 S 9/1993 Lee  
 5,275,391 A 1/1994 Lynn et al.  
 5,301,934 A 4/1994 Lynn et al.  
 D348,216 S 6/1994 Smith  
 5,553,838 A 9/1996 Lee  
 5,586,754 A 12/1996 Williams  
 D382,788 S 8/1997 Wages et al.

D402,537 S \* 12/1998 Lorenzana ..... D8/355  
 D418,033 S 12/1999 Svedberg  
 D419,415 S 1/2000 Richter  
 6,050,559 A 4/2000 de Souza et al.  
 6,135,435 A 10/2000 Schmitz  
 D457,795 S \* 5/2002 Mohammed ..... D8/51  
 D461,708 S 8/2002 Viger  
 D462,889 S 9/2002 Wright et al.  
 D466,212 S 11/2002 Koros et al.  
 D471,570 S 3/2003 Wang  
 6,554,264 B1 4/2003 Alford et al.  
 D481,604 S 11/2003 Woodruff et al.  
 D484,388 S 12/2003 Nassie et al.  
 D484,766 S 1/2004 Slack  
 6,915,590 B2 7/2005 Chillington et al.  
 D509,122 S 9/2005 Radermacher et al.  
 D513,172 S 12/2005 Rutsky et al.  
 7,114,715 B1 10/2006 Kirk et al.  
 7,159,859 B2 1/2007 Fuller  
 D543,820 S 6/2007 Lewis et al.  
 D561,008 S \* 2/2008 Jones ..... D8/355  
 D569,229 S 5/2008 Johns et al.  
 D570,176 S \* 6/2008 Franchini ..... D8/71  
 D578,867 S 10/2008 Deuer et al.  
 D592,481 S \* 5/2009 Helmetschager ..... D8/72  
 D600,522 S 9/2009 Hillman et al.  
 D605,958 S 12/2009 Tartala  
 D607,706 S 1/2010 Jastrow  
 7,673,861 B2 3/2010 Meholovitch et al.  
 D645,716 S 9/2011 Jones et al.  
 D671,812 S 12/2012 Jones et al.  
 9,050,710 B2 6/2015 Jones et al.  
 D747,645 S \* 1/2016 Pascoe ..... D8/397  
 D749,409 S \* 2/2016 Martinson ..... D8/396  
 D774,879 S \* 12/2016 Martinson ..... D8/394  
 D787,924 S \* 5/2017 Baiz ..... D8/387  
 D792,201 S \* 7/2017 Baiz ..... D8/387  
 2004/0041061 A1 3/2004 Krohmer  
 2007/0252318 A1 \* 11/2007 Dorney ..... F16B 5/0092  
 2009/0252570 A1 10/2009 Lee et al.  
 2009/0283951 A1 11/2009 Rowley  
 2011/0285070 A1 11/2011 Hovarter et al.

FOREIGN PATENT DOCUMENTS

CH 379885 7/1964  
 DE 278666 10/1914

OTHER PUBLICATIONS

Brochure from Acorn Iron & Supply Co. depicting "Horizontal Clamp".  
 "Classic Hold-Down" depicted in Lee Valley Tools, 1991.  
 Lee Valley Tools Ltd. catalog, 1991, pp. 72-73.  
 "Record Bench Holdfast" depicted in Lee Valley Tools, 1991, p. 93.  
 "Bench Hold Down" depicted on p. 93, Lee Valley Tools 1991/1992 Catalog.  
 Landis, "The Workbench Book", The Tauton Press, 1987, pp. 133.  
 Landis, "The Workbench Book", The Tauton Press, Chapter 10, 1987, pp. 136-149.  
 Woodworking, "Woodworker's Supply of New Mexico catalog," Dec. 1989, 33 pages.

\* cited by examiner

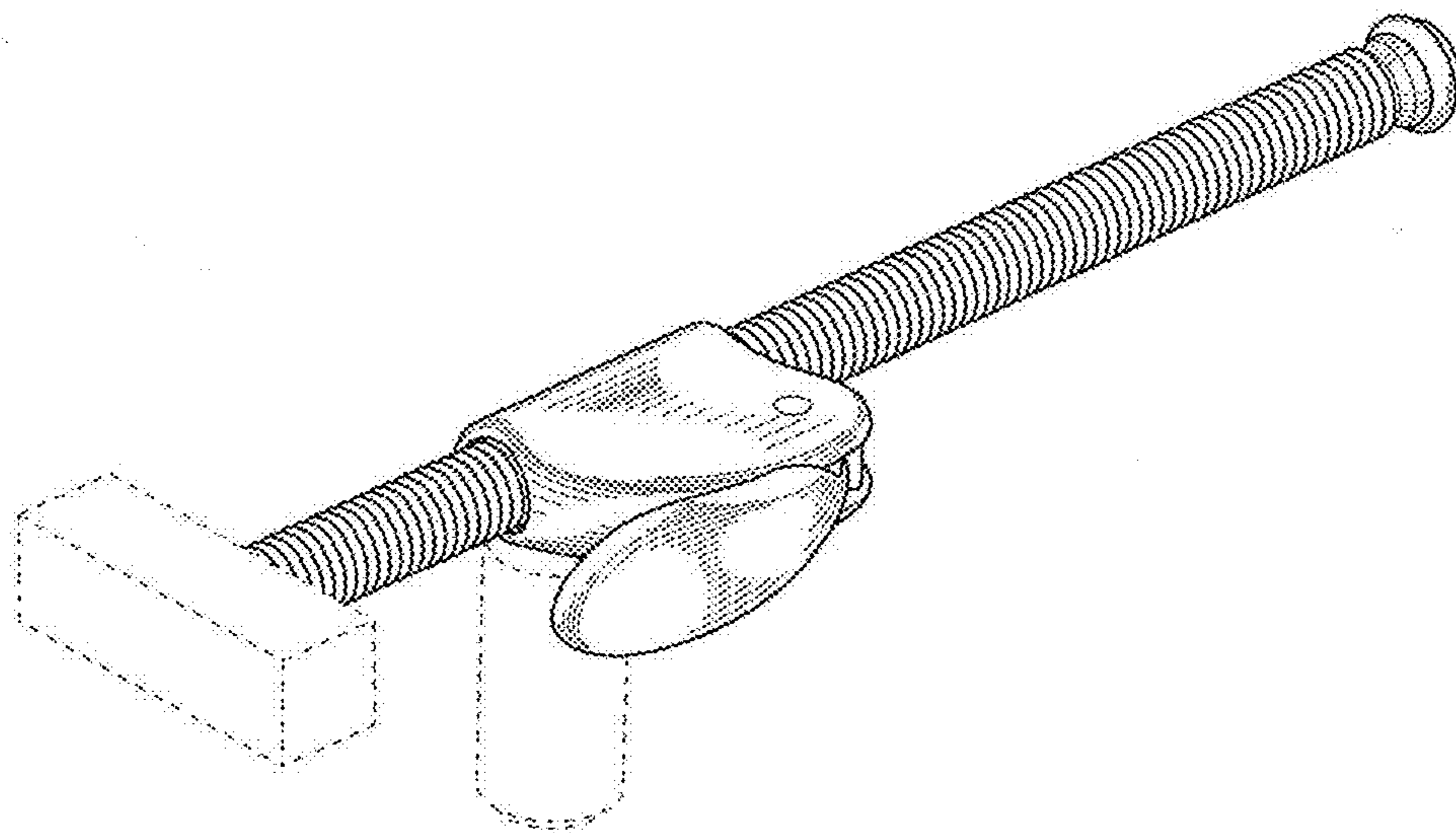


FIG. 1

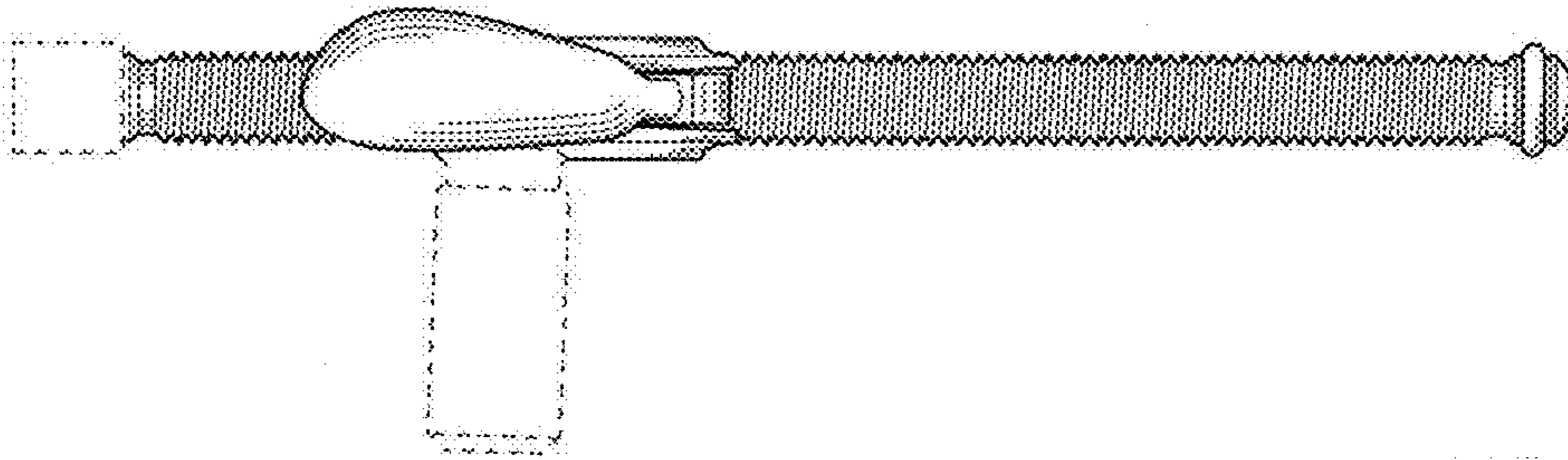


FIG. 2

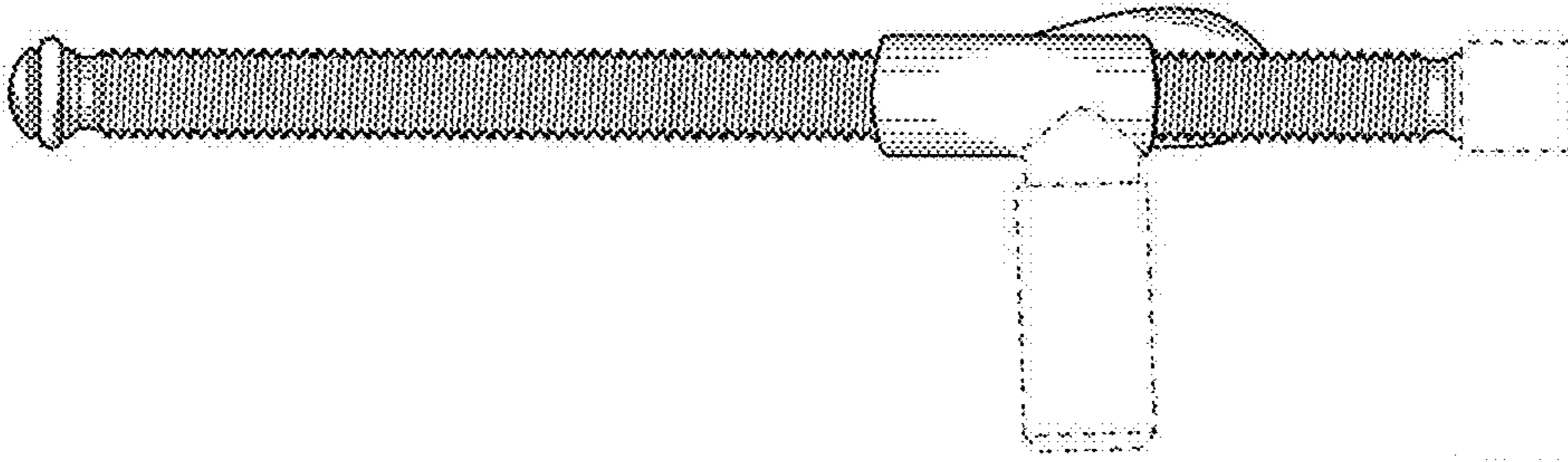


FIG. 3

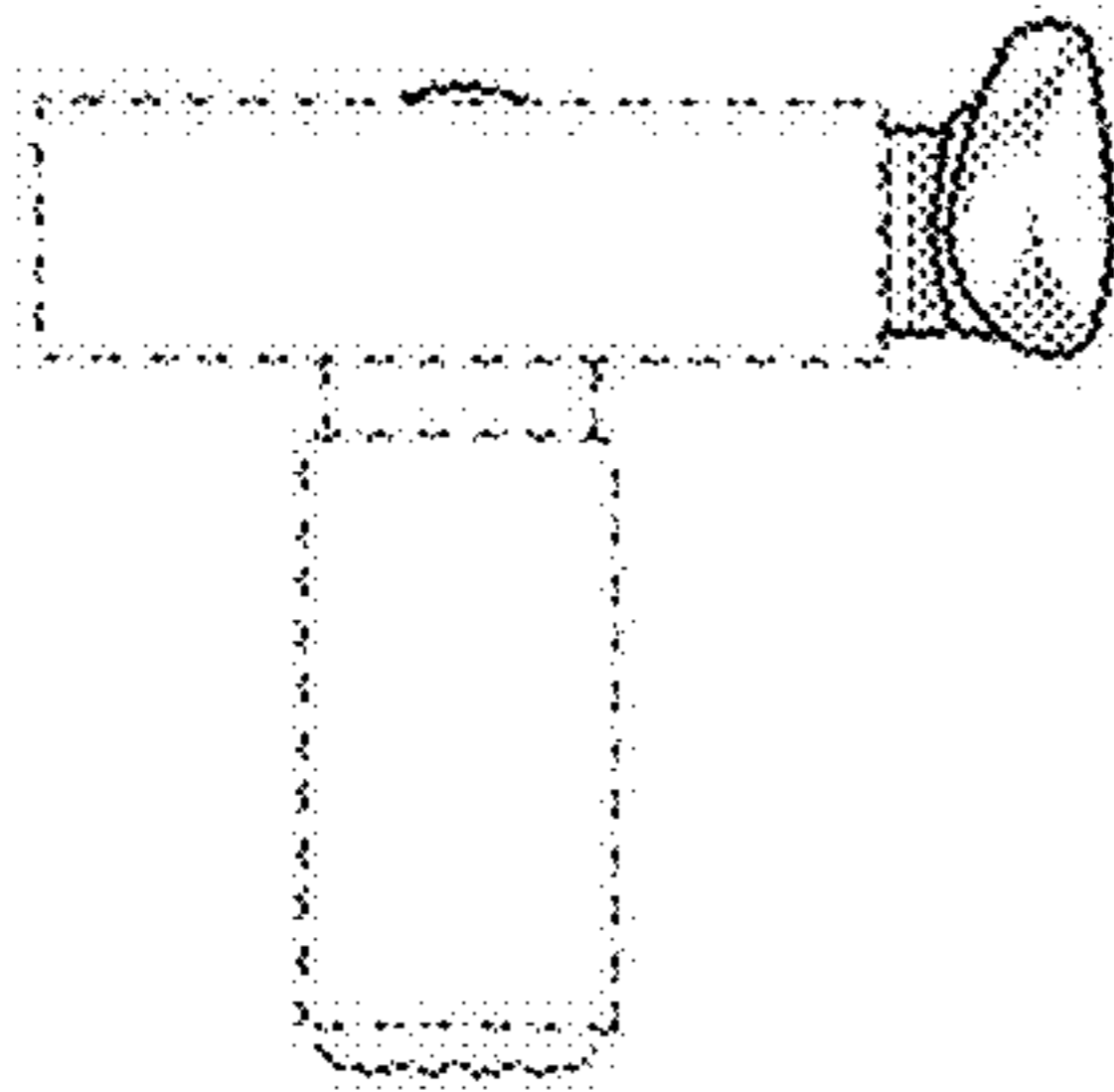


FIG. 4

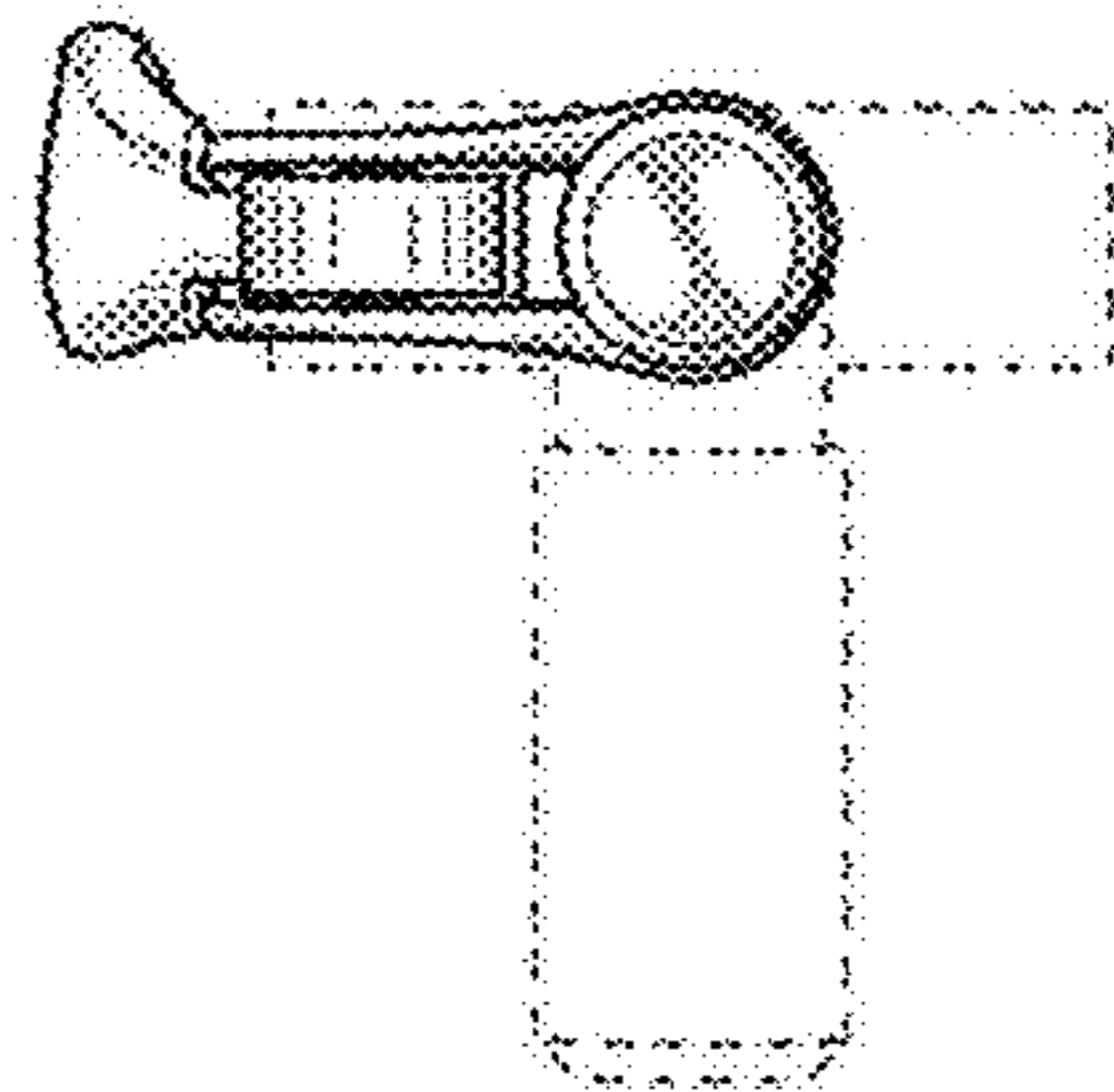


FIG. 5

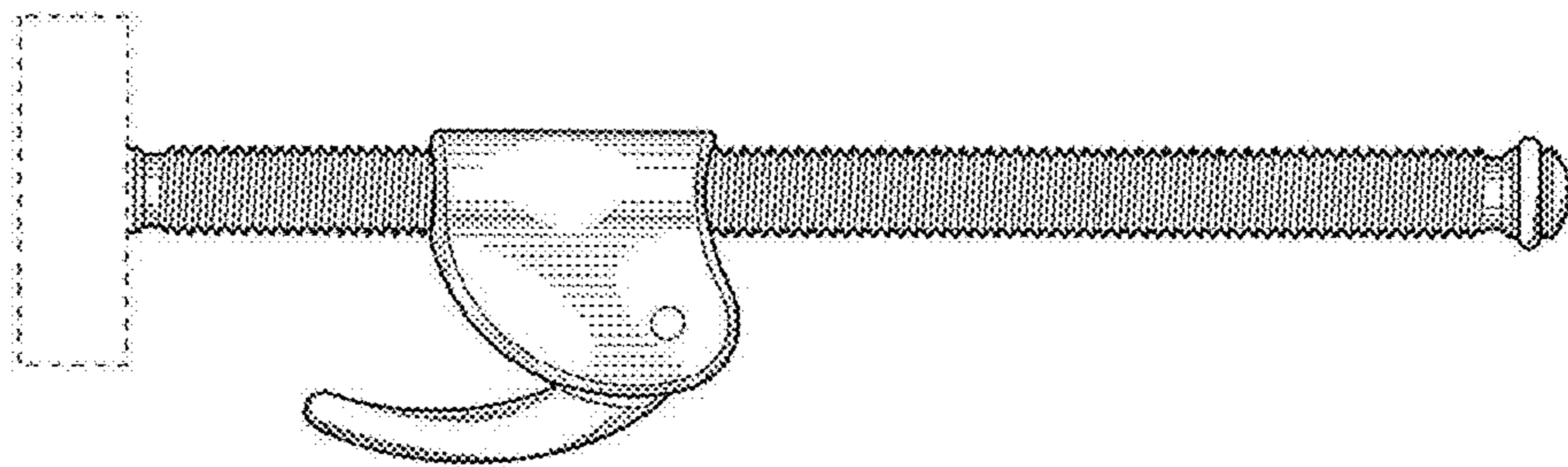


FIG. 6

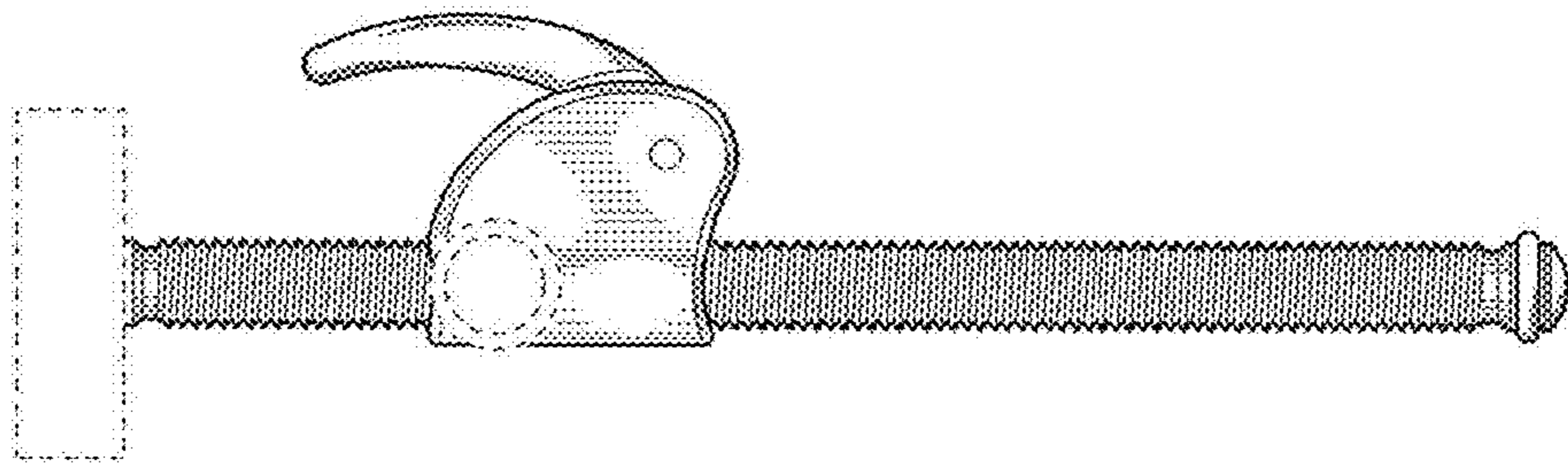


FIG. 7