



US00D824232S

(12) **United States Design Patent** (10) **Patent No.:** **US D824,232 S**
Shih (45) **Date of Patent:** **** Jul. 31, 2018**

(54) **DISPLAY BOARD FOR TOOL**
(71) Applicant: **Chen-Chi Shih**, Taichung (TW)
(72) Inventor: **Chen-Chi Shih**, Taichung (TW)
(**) Term: **15 Years**
(21) Appl. No.: **29/614,792**
(22) Filed: **Aug. 23, 2017**

D730,053 S * 5/2015 Ou D3/315
9,138,890 B2 * 9/2015 Lee B25H 3/003
9,572,437 B1 * 2/2017 Ou A47F 7/024
D785,430 S * 5/2017 Ou D8/71
9,718,183 B2 * 8/2017 Ou B25H 3/003
2009/0145865 A1 6/2009 Yu
2010/0170817 A1 7/2010 Wu
2015/0165615 A1 6/2015 Lee

(Continued)

FOREIGN PATENT DOCUMENTS

TW M326515 2/2008

Primary Examiner — Lakiya G Rogers
Assistant Examiner — Harold E Blackwell, II
(74) *Attorney, Agent, or Firm* — Muncy, Geissler, Olds & Lowe, P.C.

Related U.S. Application Data
(63) Continuation-in-part of application No. 14/848,831, filed on Sep. 9, 2015.
(51) **LOC (11) Cl.** **08-05**
(52) **U.S. Cl.**
USPC **D8/71**
(58) **Field of Classification Search**
USPC D3/204, 218, 226, 230, 232, 243, 245, D3/246, 247, 249, 272, 273, 275, 276, D3/283–285, 289, 290, 299, 303, 315, D3/294–296, 903; 206/378, 372; D8/71
CPC . B25H 3/02; B25H 3/003; B25H 3/04; B25H 3/026; B25H 5/00; B25H 1/04
See application file for complete search history.

(57) **CLAIM**

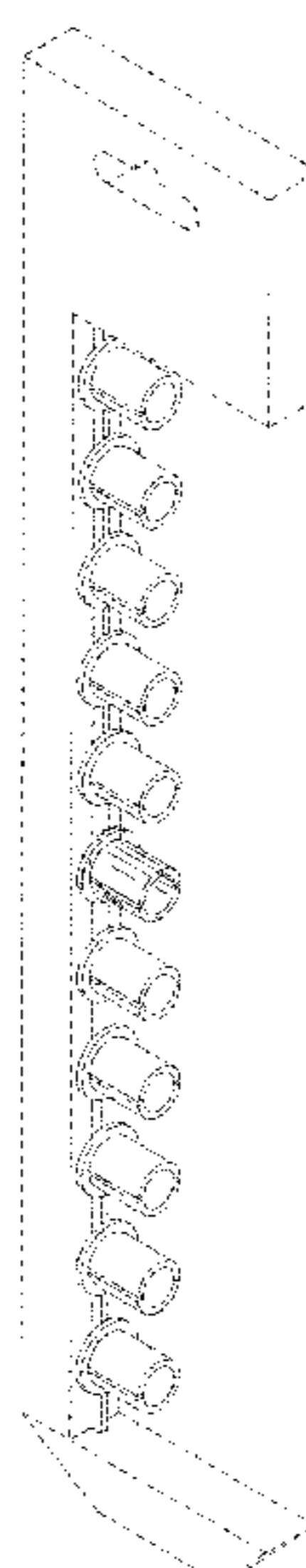
I claim the ornamental design for a display board for tool, as shown and described.

DESCRIPTION

FIG. 1 is a front, right, and top perspective view of a display board for tool showing my new design;
FIG. 2 is a front elevational view thereof;
FIG. 3 is a rear elevational view thereof;
FIG. 4 is a left side view thereof;
FIG. 5 is a right side view thereof;
FIG. 6 is a top plan view thereof;
FIG. 7 is a bottom plan view thereof;
FIG. 8 is a partially-enlarged and cross-sectional view of the display board for tool, taken along line 8-8 in FIG. 2 thereof;
FIG. 9 is another front, right, and top perspective view thereof; and,
FIG. 10 is a rear, right, and top perspective view.
The broken lines in the drawings illustrate portions of the display board for tool which form no part of the claimed design.

(56) **References Cited**
U.S. PATENT DOCUMENTS
D288,763 S * 3/1987 Berfield D6/553
6,698,600 B1 3/2004 Lee
7,111,422 B2 9/2006 Wheeler
8,181,780 B1 5/2012 Guffey
8,307,980 B1 * 11/2012 Kao B25H 3/04
206/372
8,381,905 B1 2/2013 Kao
8,499,935 B2 8/2013 Hsieh
8,573,413 B2 * 11/2013 Sh B25H 3/04
211/70.6
8,875,884 B1 * 11/2014 Lee B25H 3/04
206/1.5

1 Claim, 8 Drawing Sheets



(56)

References Cited

U.S. PATENT DOCUMENTS

2017/0001298 A1 1/2017 Ou
2017/0066123 A1* 3/2017 Shih B25H 3/003

* cited by examiner

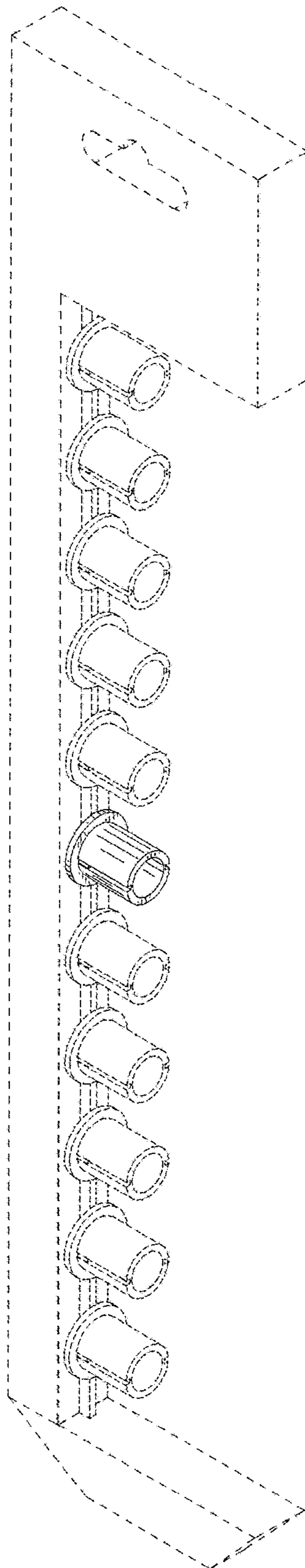


FIG. 1

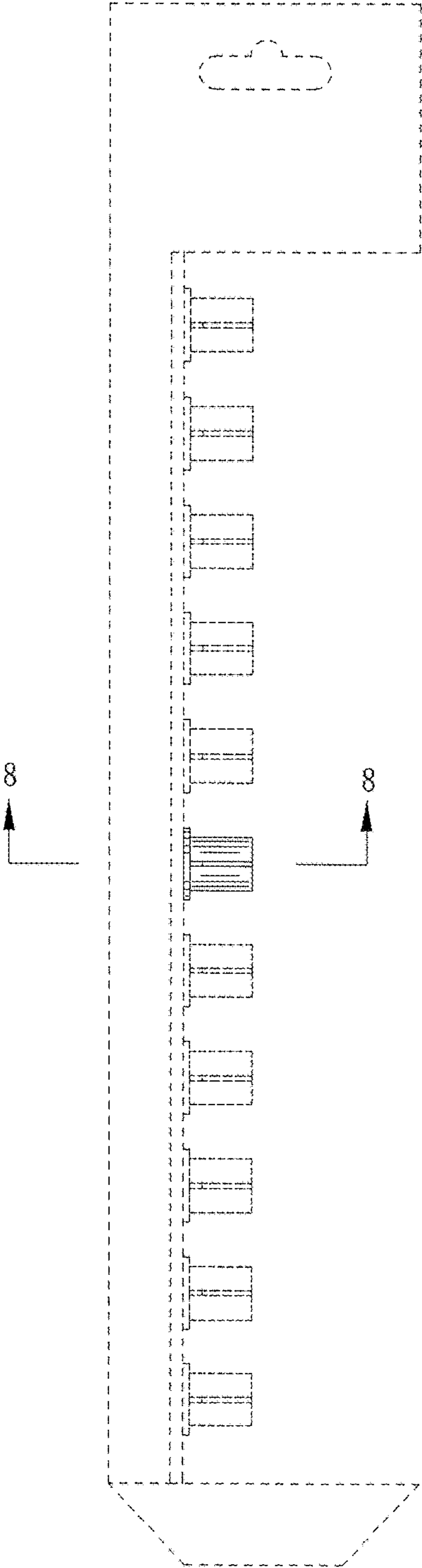


FIG. 2

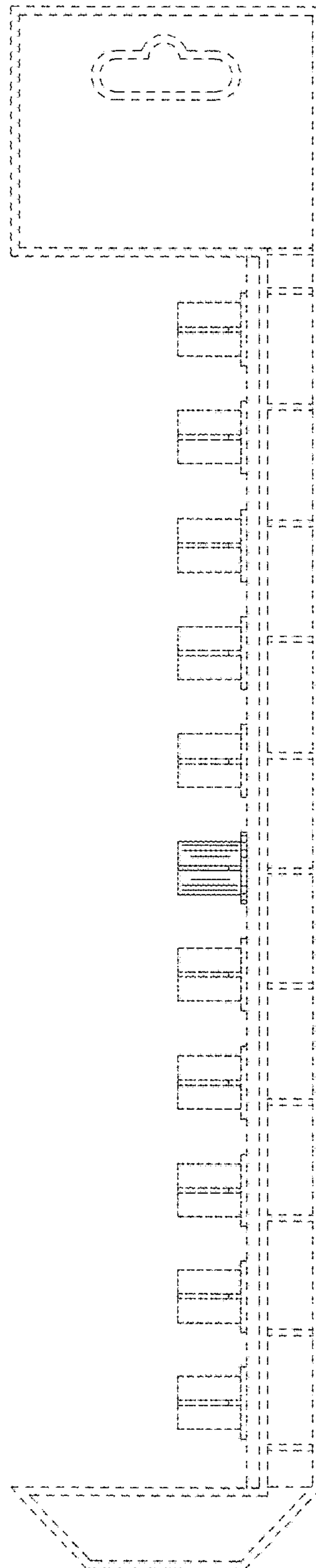


FIG. 3



FIG. 4



FIG. 5



FIG. 6

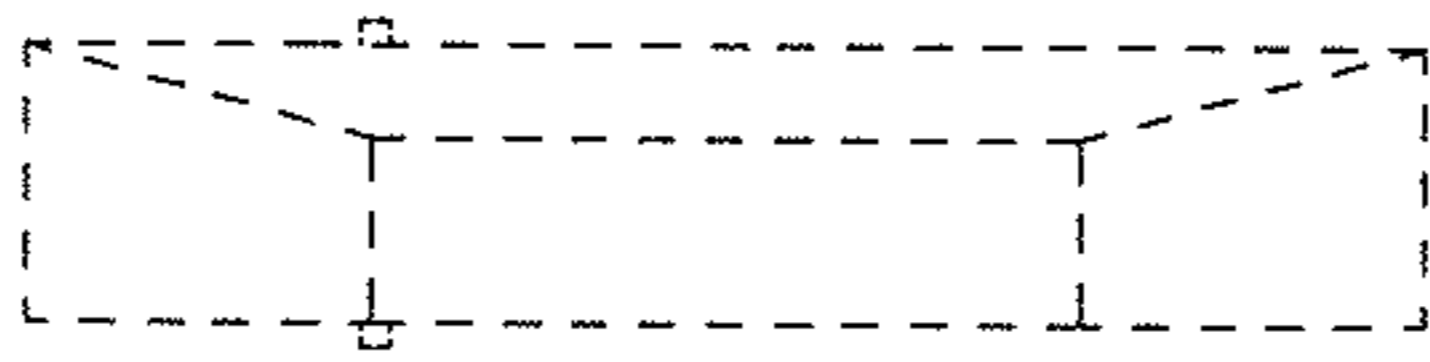


FIG. 7

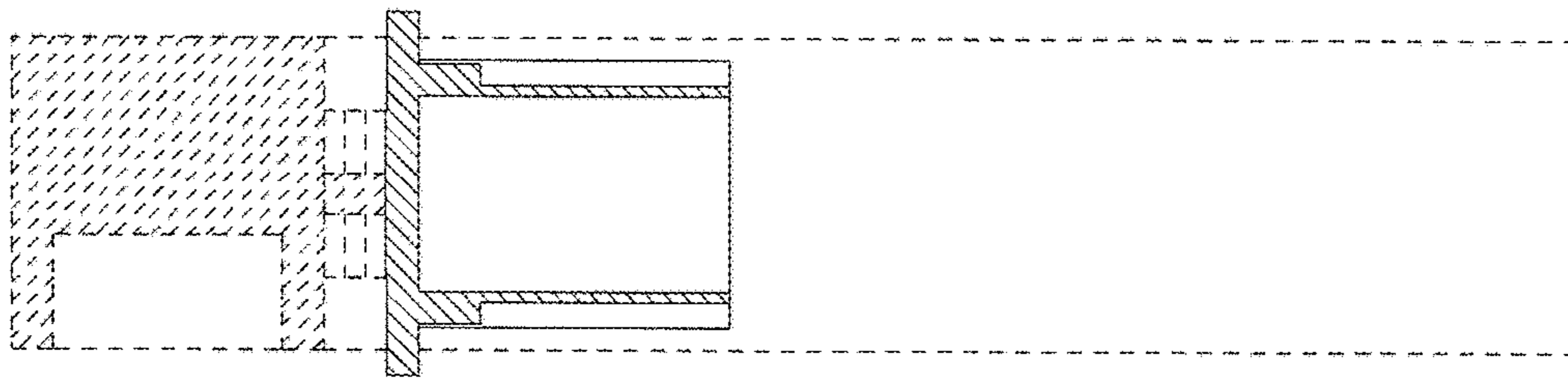


FIG. 8

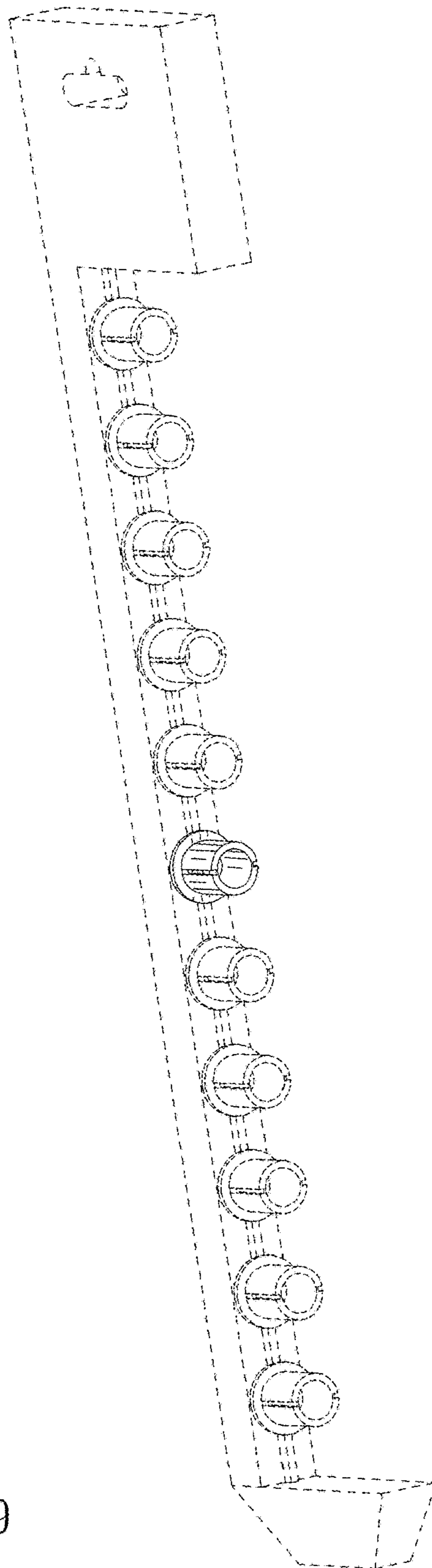


FIG. 9

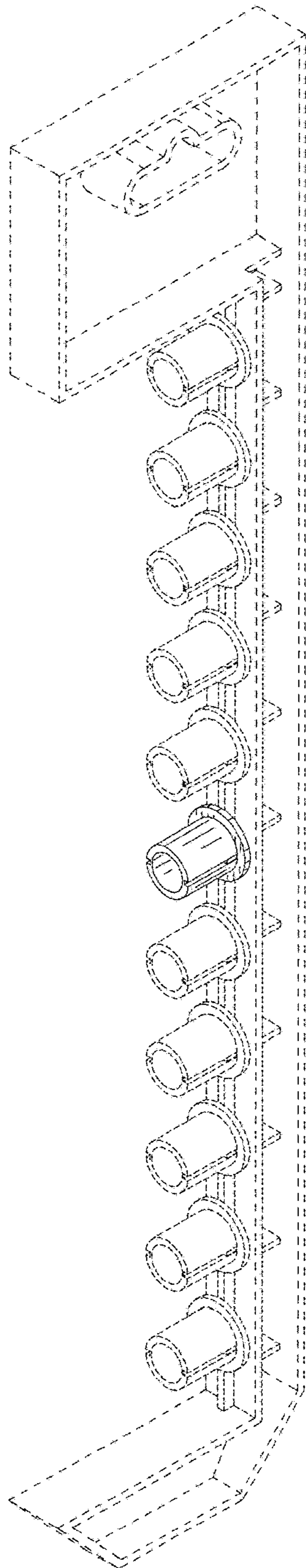


FIG. 10