

US00D824229S

(12) **United States Design Patent**  
**Williams**

(10) **Patent No.:** **US D824,229 S**  
(45) **Date of Patent:** **\*\* Jul. 31, 2018**

- (54) **WINDOW DE-ICER**
- (71) Applicant: **Brenda B. Williams**, Montclair, NJ  
(US)
- (72) Inventor: **Brenda B. Williams**, Montclair, NJ  
(US)
- (\*\*) Term: **15 Years**
- (21) Appl. No.: **29/537,621**
- (22) Filed: **Aug. 27, 2015**
- (51) **LOC (11) Cl.** ..... **08-05**
- (52) **U.S. Cl.**  
USPC ..... **D8/29.2; D32/8**
- (58) **Field of Classification Search**  
USPC ..... D32/40, 41, 46, 49, 8; D8/29.1, 29.2;  
D23/223, 332; D28/13, 16  
CPC ..... A47L 1/16; A47L 1/08; A46B 11/0055;  
F24H 3/062; D06F 58/00; D06F 58/02;  
D06F 58/04; D06F 58/20; D06F 23/04;  
G05B 19/042  
See application file for complete search history.

- D373,863 S \* 9/1996 Shepherd ..... D32/42
- D388,570 S \* 12/1997 Humphries ..... D32/42
- 5,973,294 A \* 10/1999 Schatt ..... A47L 1/16  
219/228
- D479,376 S \* 9/2003 Hsu ..... D32/49
- 6,889,445 B1 \* 5/2005 Varona ..... A45D 20/12  
34/97
- D572,097 S \* 7/2008 Yung-Kuan ..... D28/13
- D599,182 S \* 9/2009 Baxter ..... D8/29.1
- D608,856 S \* 1/2010 Dammkoehler ..... D23/223
- D613,569 S \* 4/2010 Steinel ..... D8/29.1
- 7,832,955 B1 \* 11/2010 Leffew ..... A46B 11/0055  
401/188 R
- D679,561 S \* 4/2013 Price ..... D8/29.1
- D740,629 S \* 10/2015 Furling ..... D8/29.1
- D742,708 S \* 11/2015 Howell ..... D8/29.1
- D746,653 S \* 1/2016 Furling ..... D8/29.1

(Continued)

*Primary Examiner* — Michelle E Wilson  
(74) *Attorney, Agent, or Firm* — Global Intellectual  
Property Agency, LLC; Jordan Sworen

(57) **CLAIM**

The ornamental design for a window de-icer, as shown and described.

**DESCRIPTION**

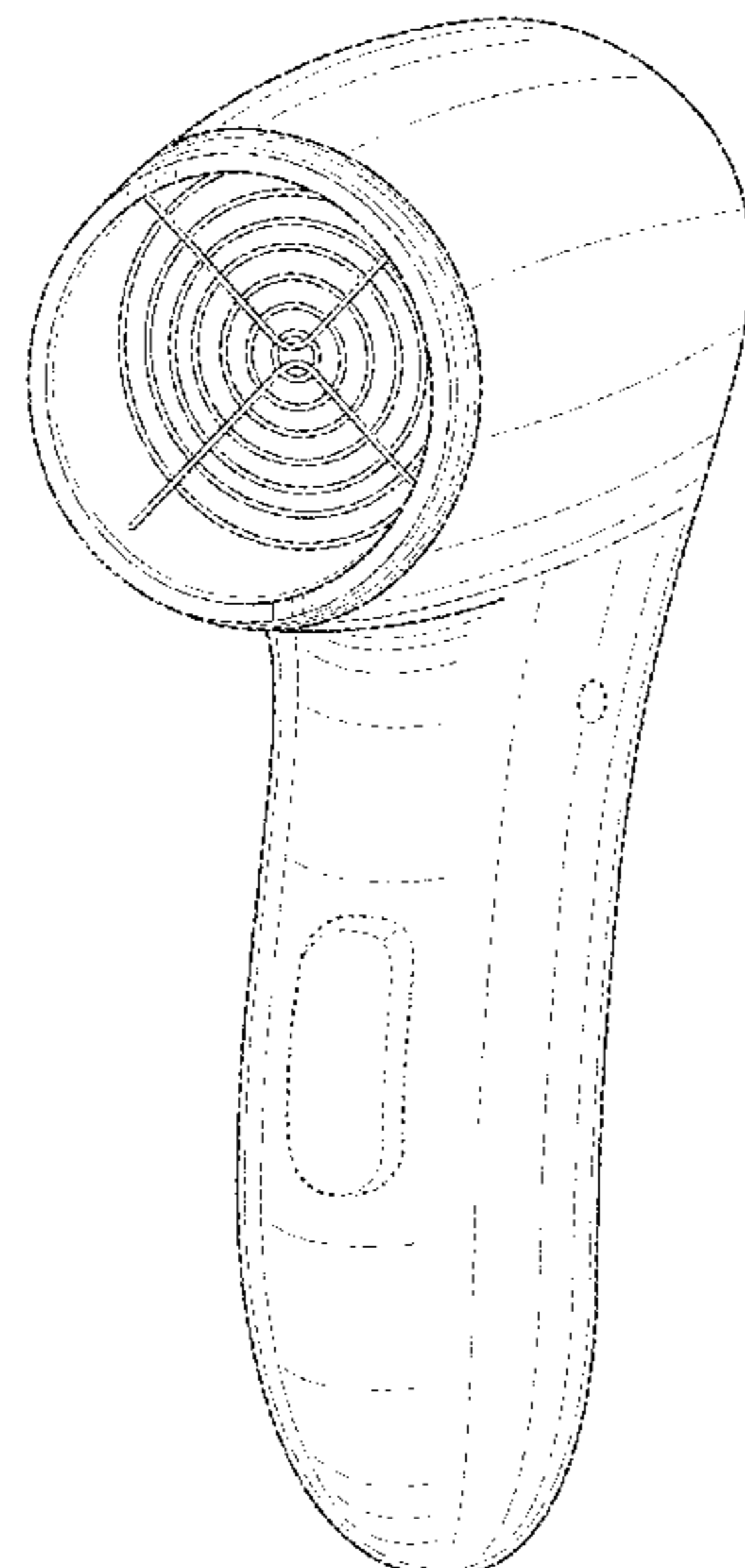
FIG. 1 shows a perspective view of a window de-icer showing my new design;  
FIG. 2 shows a front view thereof;  
FIG. 3 shows a rear view thereof;  
FIG. 4 shows a right side view thereof;  
FIG. 5 shows a left side view thereof;  
FIG. 6 shows a top plan view thereof; and,  
FIG. 7 shows a bottom plan view thereof.  
The shade lines in the Figures show contour and not surface ornamentation.  
The broken lines shown in the Figures show portions of the window de-icer which form no part of the claimed design.

**1 Claim, 5 Drawing Sheets**

(56) **References Cited**

U.S. PATENT DOCUMENTS

- D203,362 S \* 12/1965 Richardson ..... 392/372
- 4,275,476 A \* 6/1981 Hopkins ..... B60S 3/045  
15/236.02
- 4,366,368 A \* 12/1982 Stephens, III ..... F24H 3/062  
15/405
- D274,551 S \* 7/1984 Benjamin ..... D28/13
- D293,020 S \* 12/1987 Steinel ..... D23/332
- D296,070 S \* 6/1988 Cunningham ..... D28/13
- 4,778,301 A \* 10/1988 Sicotte ..... A47L 1/08  
401/137
- D341,302 S \* 11/1993 Ware ..... D8/29.1
- D345,042 S \* 3/1994 Montagnino ..... D28/13
- D372,349 S \* 7/1996 Adair ..... D32/46
- D373,722 S \* 9/1996 Kastberg ..... D32/46



(56)

**References Cited**

U.S. PATENT DOCUMENTS

D762,933	S *	8/2016	Masalin	.....	D32/40
D788,394	S *	5/2017	Bo	.....	D32/42
9,756,922	B1 *	9/2017	Duthe	.....	A45D 20/12
D810,356	S *	2/2018	Janowick	.....	D28/16
2002/0043003	A1 *	4/2002	Cruz	.....	A45D 20/12
					34/97
2012/0266483	A1 *	10/2012	Palermo	.....	A45D 20/10
					34/97
2017/0172276	A1 *	6/2017	Hsu	.....	A45D 20/12
2018/0049532	A1 *	2/2018	Hsu	.....	F26B 23/06

\* cited by examiner

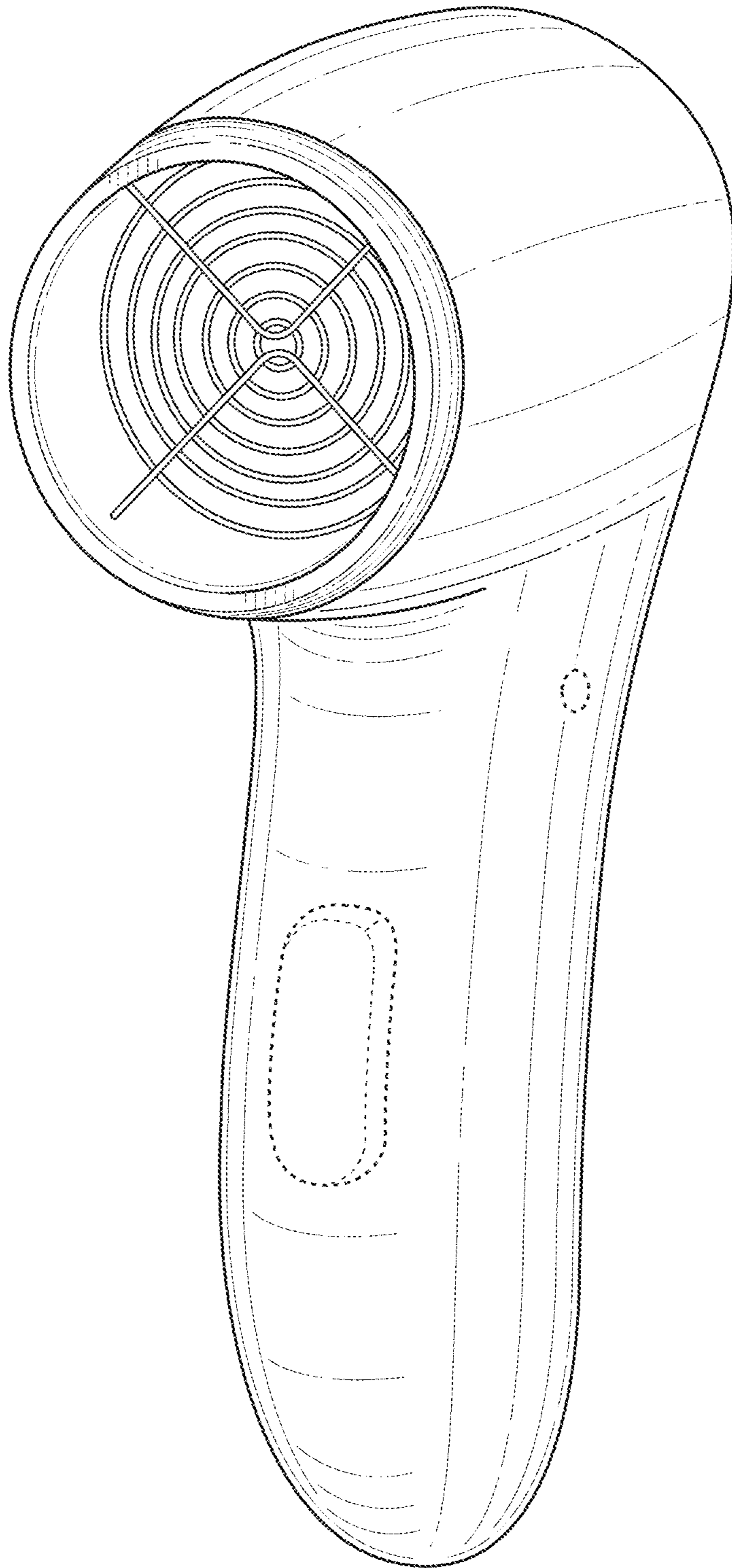


FIG. 1

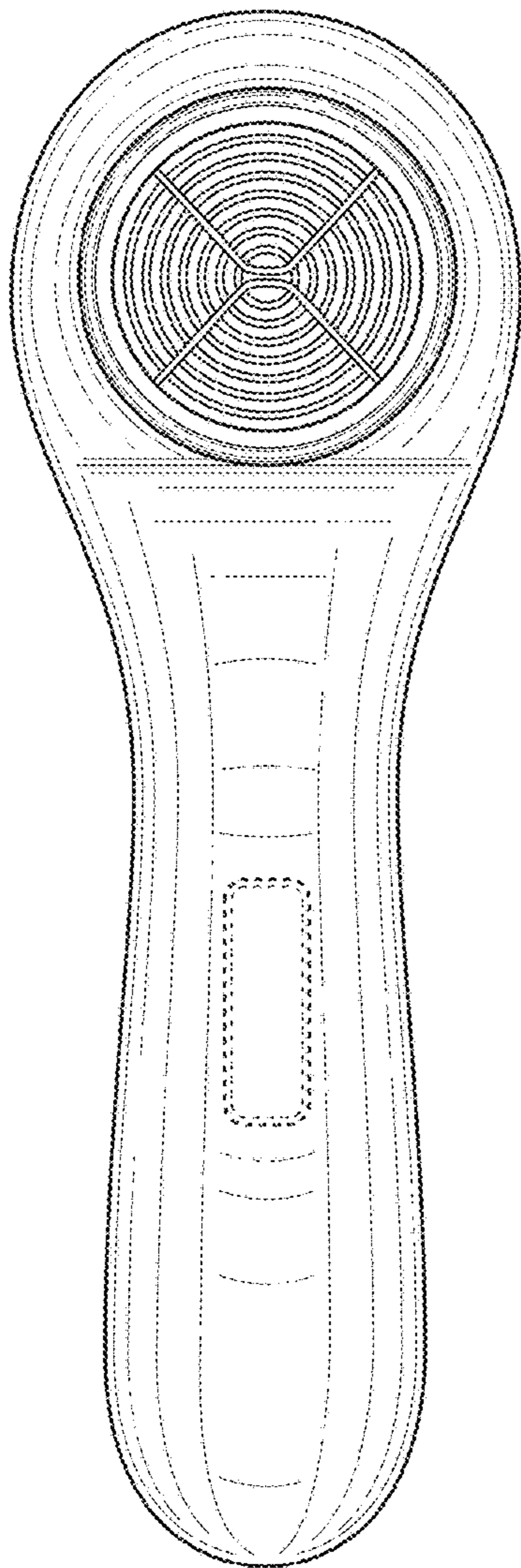


FIG. 2

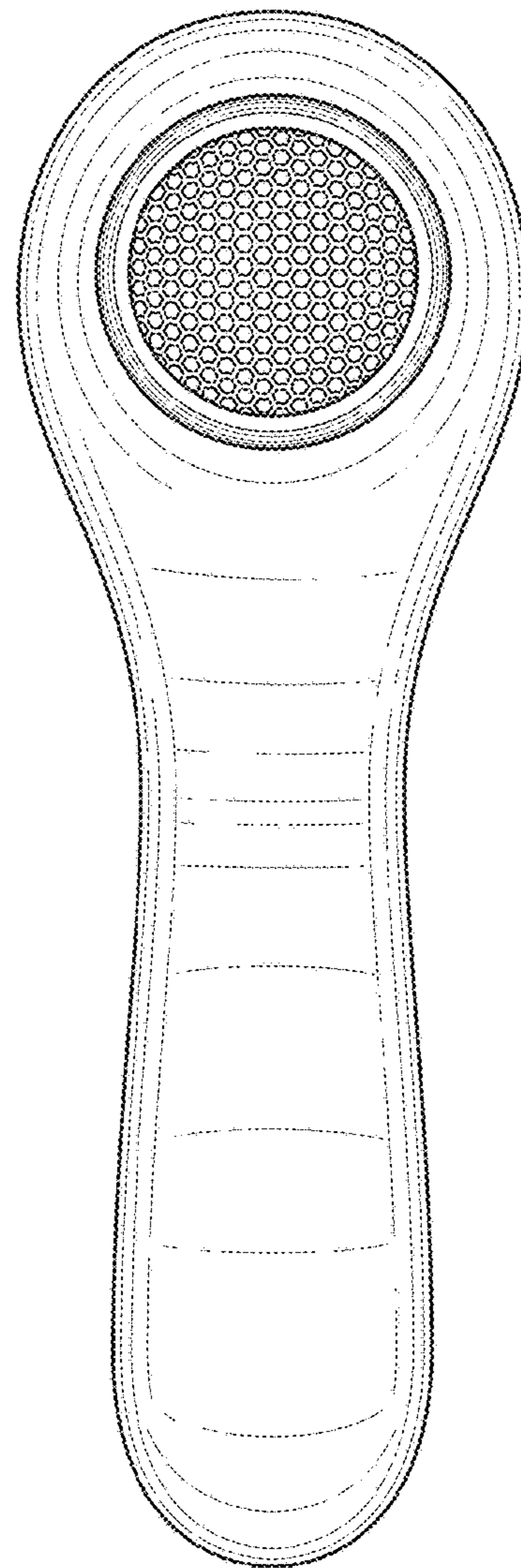


FIG. 3



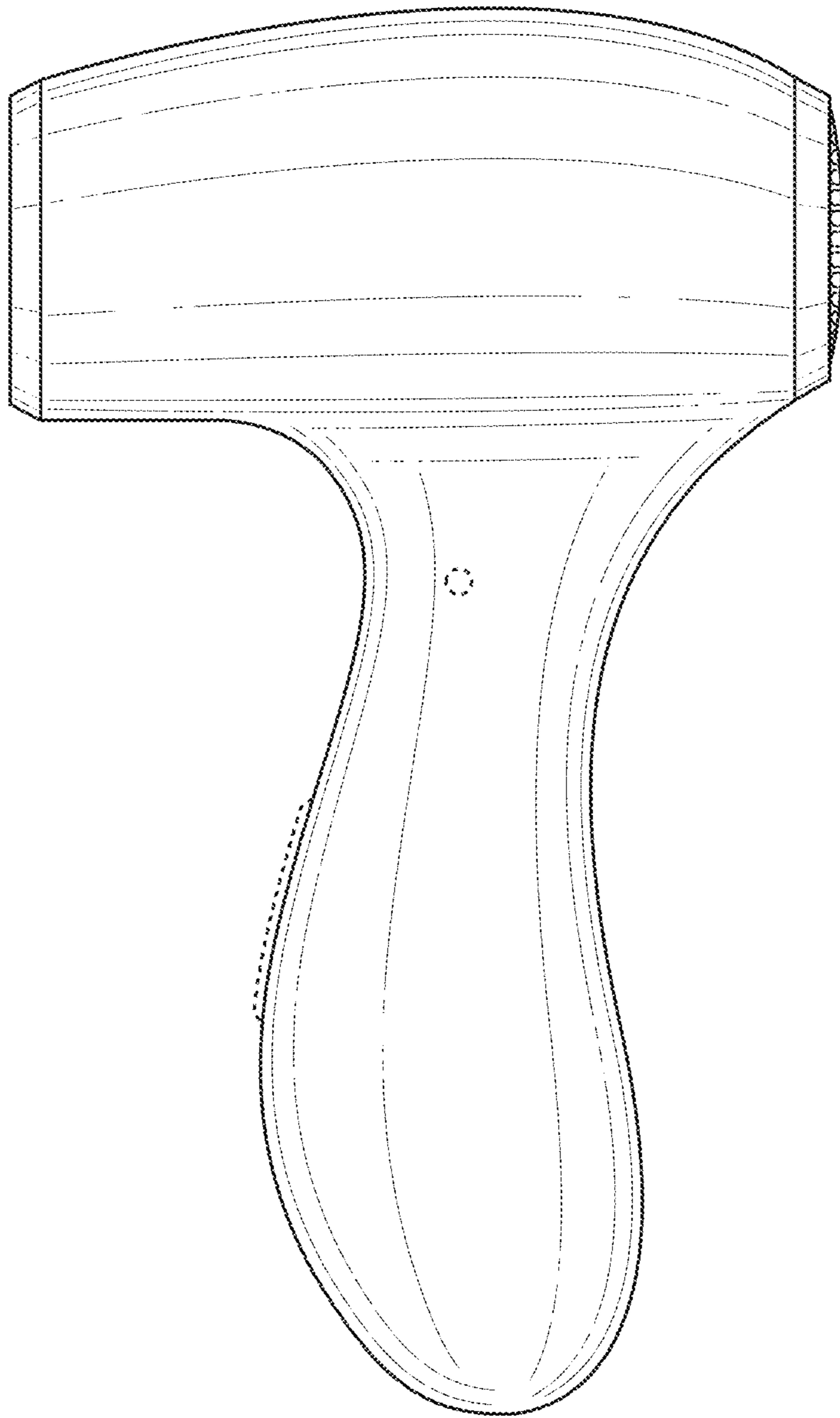


FIG. 4

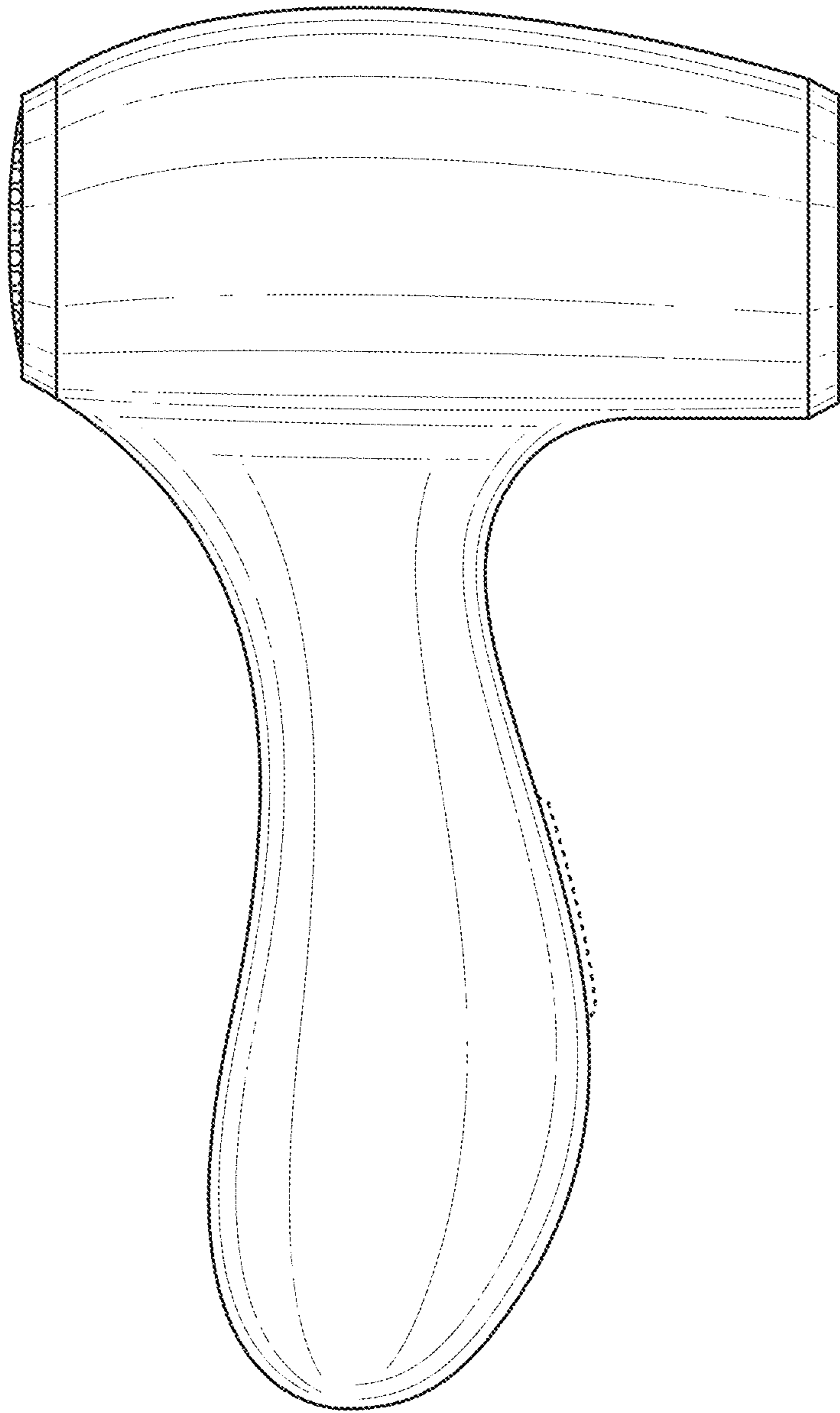


FIG. 5

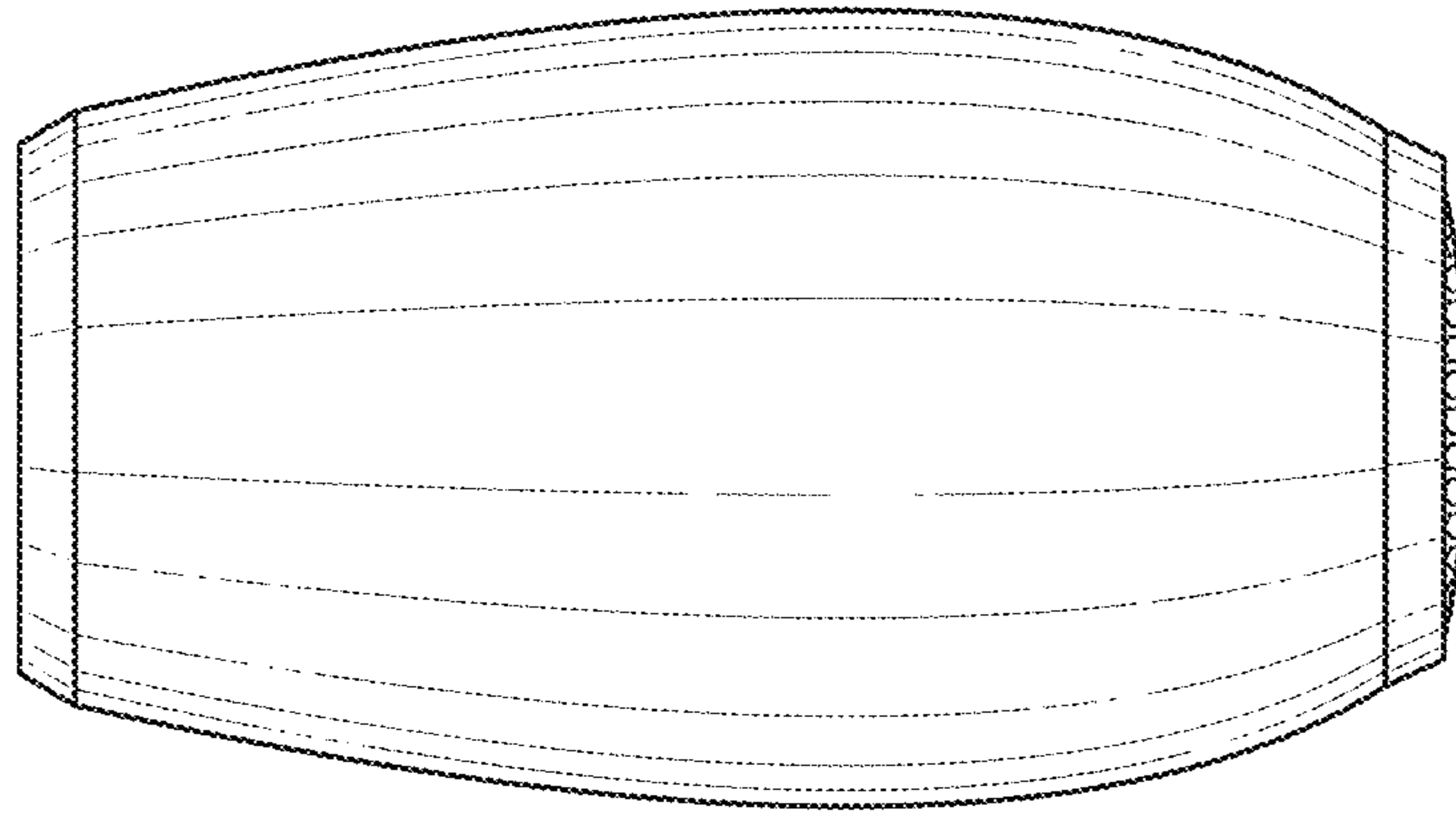


FIG. 6

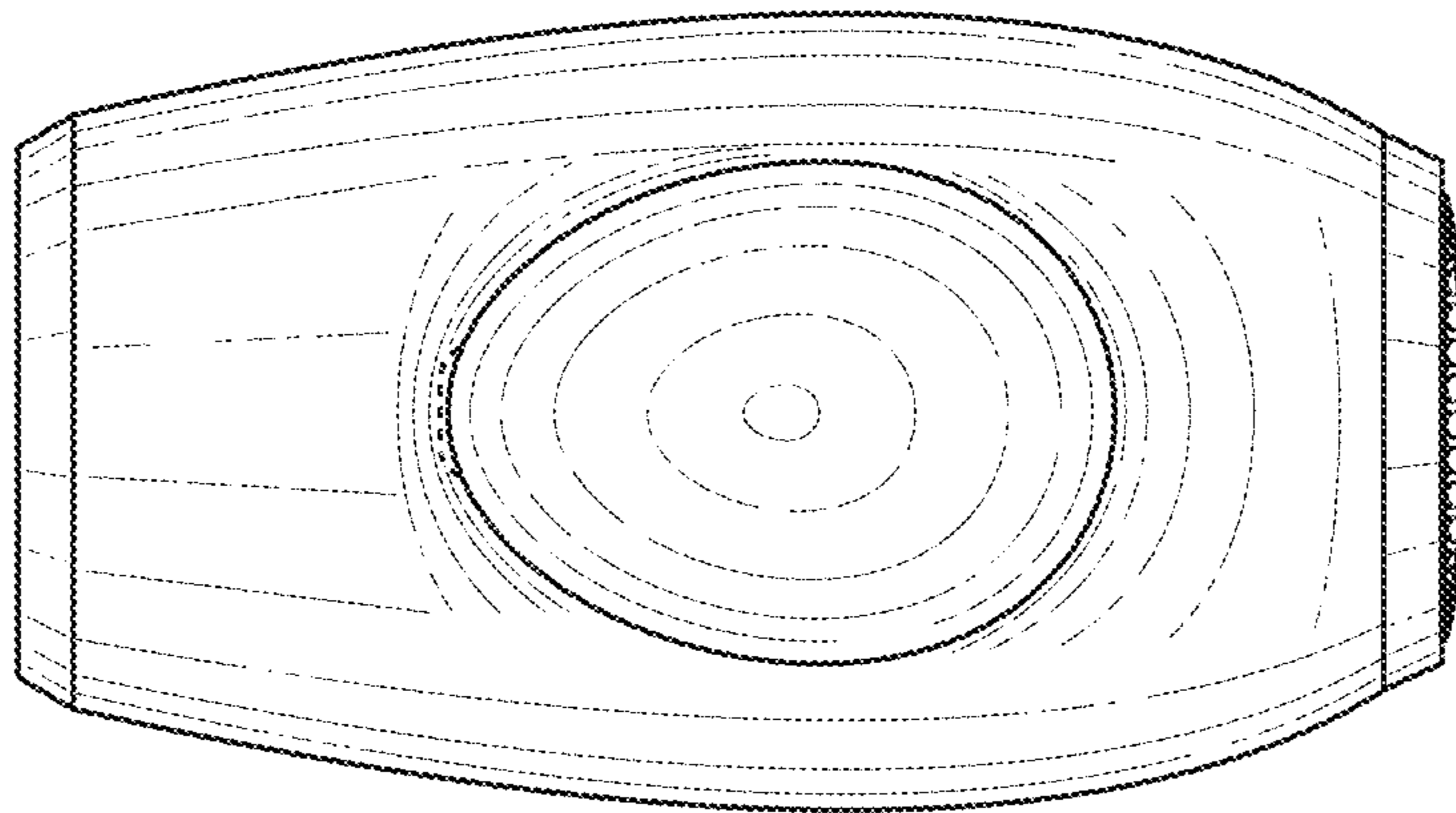


FIG. 7