



US00D824227S

(12) **United States Design Patent**
Stender

(10) **Patent No.:** **US D824,227 S**
(45) **Date of Patent:** **** Jul. 31, 2018**

- (54) **STAKE**
- (71) Applicant: **3 T Assets, LLC**, Portage, MI (US)
- (72) Inventor: **Timothy P. Stender**, Portage, MI (US)
- (73) Assignee: **3 T Assets, LLC**, Portage, MI (US)
- (**) Term: **15 Years**
- (21) Appl. No.: **29/562,114**
- (22) Filed: **Apr. 22, 2016**
- (51) **LOC (11) Cl.** **08-01**
- (52) **U.S. Cl.**
USPC **D8/1**
- (58) **Field of Classification Search**
USPC D8/1, 391; D26/138; D21/840
CPC B05B 15/062; A01G 29/00; A01G 9/122;
A01G 9/128; E04H 15/62
See application file for complete search history.

D300,508 S	4/1989	Viening	
4,955,068 A	9/1990	Tennihan	
D310,954 S	10/1990	Persaud	
D313,471 S	1/1991	Bremer	
D322,928 S	1/1992	Snodell	
D324,649 S	3/1992	Lederhaus	
D351,335 S	10/1994	Yazich	
D354,924 S	1/1995	Garner et al.	
5,447,400 A	9/1995	Brentwood	
D366,113 S	1/1996	Morgan	
5,549,234 A	8/1996	Hong	
5,564,232 A	10/1996	Callaway	
5,568,785 A	10/1996	Hazen	
D377,076 S	12/1996	Adams	
D380,569 S	* 7/1997	Garber	D21/840
D382,469 S	* 8/1997	Adams	D21/840
D386,652 S	11/1997	Rimback et al.	
D390,099 S	2/1998	Bailey et al.	
D409,663 S	5/1999	Wagner et al.	

(Continued)

Primary Examiner — Sheryl Lane

(74) *Attorney, Agent, or Firm* — Honigman Miller Schwartz and Cohn LLP; Kelly T. Murphy; Jonathan P. O'Brien

(56) **References Cited**
U.S. PATENT DOCUMENTS

18,457 A	10/1857	King
2,266,432 A	12/1941	Morin et al.
2,891,554 A	6/1959	Foster
3,009,382 A	11/1961	Salka
3,019,686 A	2/1962	Behrle
3,023,687 A	3/1962	Wheeler
3,093,874 A	6/1963	Rapata
3,385,154 A	5/1968	Miklos
3,861,526 A	1/1975	Leistner
D245,757 S	9/1977	Fisher
4,286,496 A	9/1981	Harris
D265,288 S	7/1982	McLean
D267,148 S	12/1982	Smith
D278,972 S	5/1985	Fredriksson
D286,612 S	11/1986	Adams
D290,320 S	6/1987	Cornette
D296,983 S	8/1988	Isaberg

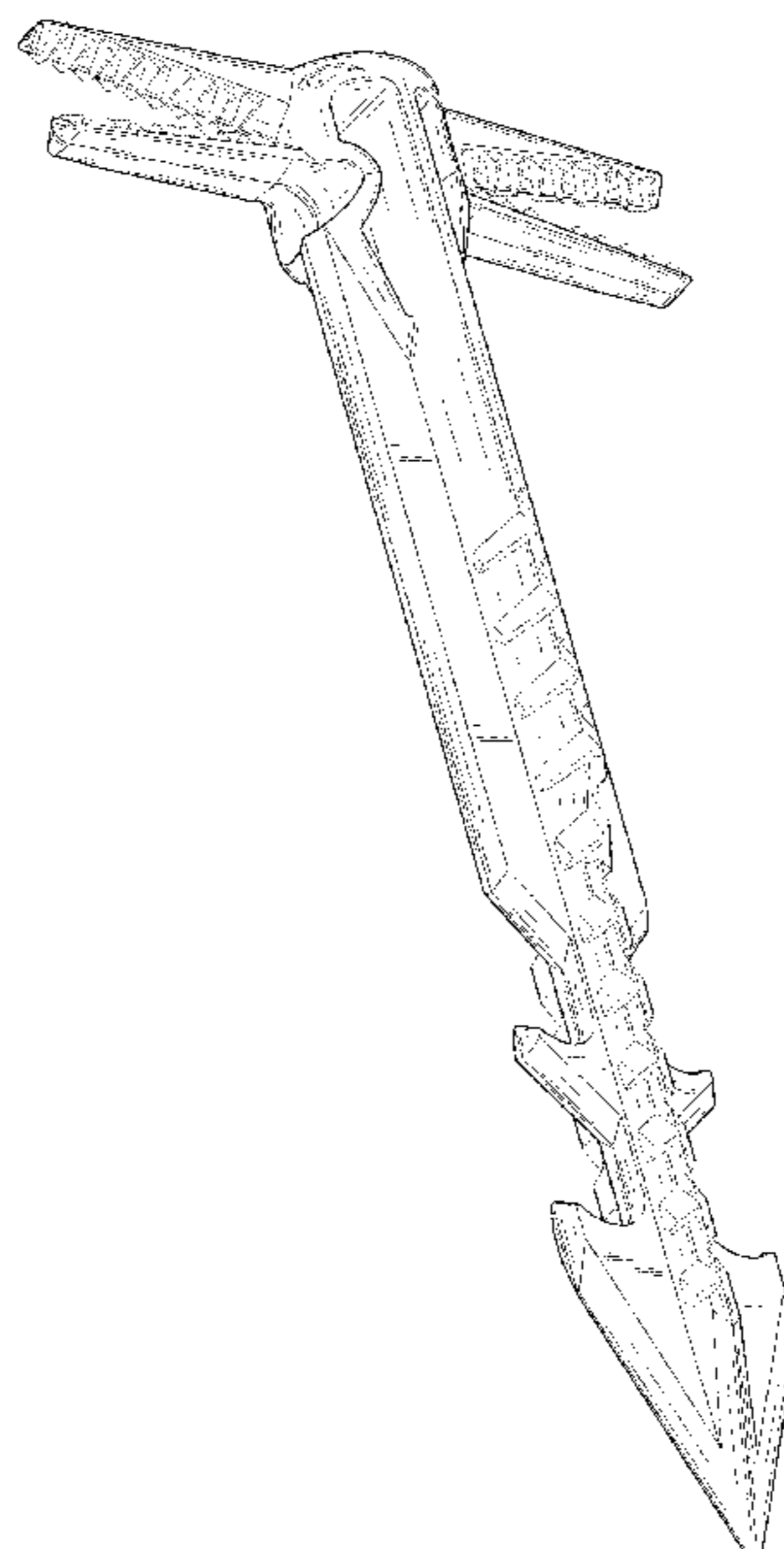
(57) **CLAIM**

The ornamental design for a stake, as shown and described.

DESCRIPTION

FIG. 1 is a front perspective view of a stake, showing our new design;
FIG. 2 is a front view thereof;
FIG. 3 is a rear view thereof;
FIG. 4 is a left side view thereof;
FIG. 5 is a right side view thereof;
FIG. 6 is a top plan view thereof; and,
FIG. 7 is a bottom plan view thereof.
The broken lines represent portions of the stake and form no part of the claimed design.

1 Claim, 5 Drawing Sheets



(56)

References Cited

U.S. PATENT DOCUMENTS

D410,032 S	5/1999	Wagner et al.	
D414,207 S	9/1999	Wagner et al.	
D416,190 S	11/1999	Heeley	
D418,049 S	12/1999	Brown	
D418,400 S	1/2000	Juska	
D420,282 S	2/2000	Jones	
D426,147 S	6/2000	Nichols	
D428,058 S	7/2000	Wagner	
D454,591 S	3/2002	Vidmar et al.	
D462,257 S	9/2002	Alexander	
D469,566 S *	1/2003	Gary	F21V 21/0824 D26/138
D470,040 S	2/2003	Chu	
D503,432 S	3/2005	Jin	
6,938,384 B1	9/2005	Hodge	
D549,068 S	8/2007	Gallien	
D553,919 S *	10/2007	Gross	D8/1
D564,345 S	3/2008	Prada	
D588,446 S	3/2009	Hashim	

D618,088 S	6/2010	Gaylor	
D622,559 S *	8/2010	Brazier	D8/1
D623,507 S	9/2010	Bowen	
D624,810 S	10/2010	Vosbikian et al.	
D644,093 S	8/2011	Togami	
D644,094 S	8/2011	Togami	
D654,335 S *	2/2012	Evans	D8/1
D655,584 S *	3/2012	Katzin	D8/1
D658,490 S	5/2012	Lien	
D679,457 S *	4/2013	Chance	D30/154
D679,540 S	4/2013	Eaton	
D683,208 S	5/2013	Nocelo Stelin	
D712,242 S	9/2014	Deneve	
D716,644 S	11/2014	Daniels	
D719,798 S	12/2014	Thompson et al.	
D733,547 S	7/2015	Mazur	
D734,139 S	7/2015	Miura	
D742,187 S	11/2015	Thompson et al.	
2004/0124331 A1 *	7/2004	Kornacki	E04H 15/62 248/500
2007/0235602 A1 *	10/2007	Gross	E04H 12/2215 248/156

* cited by examiner

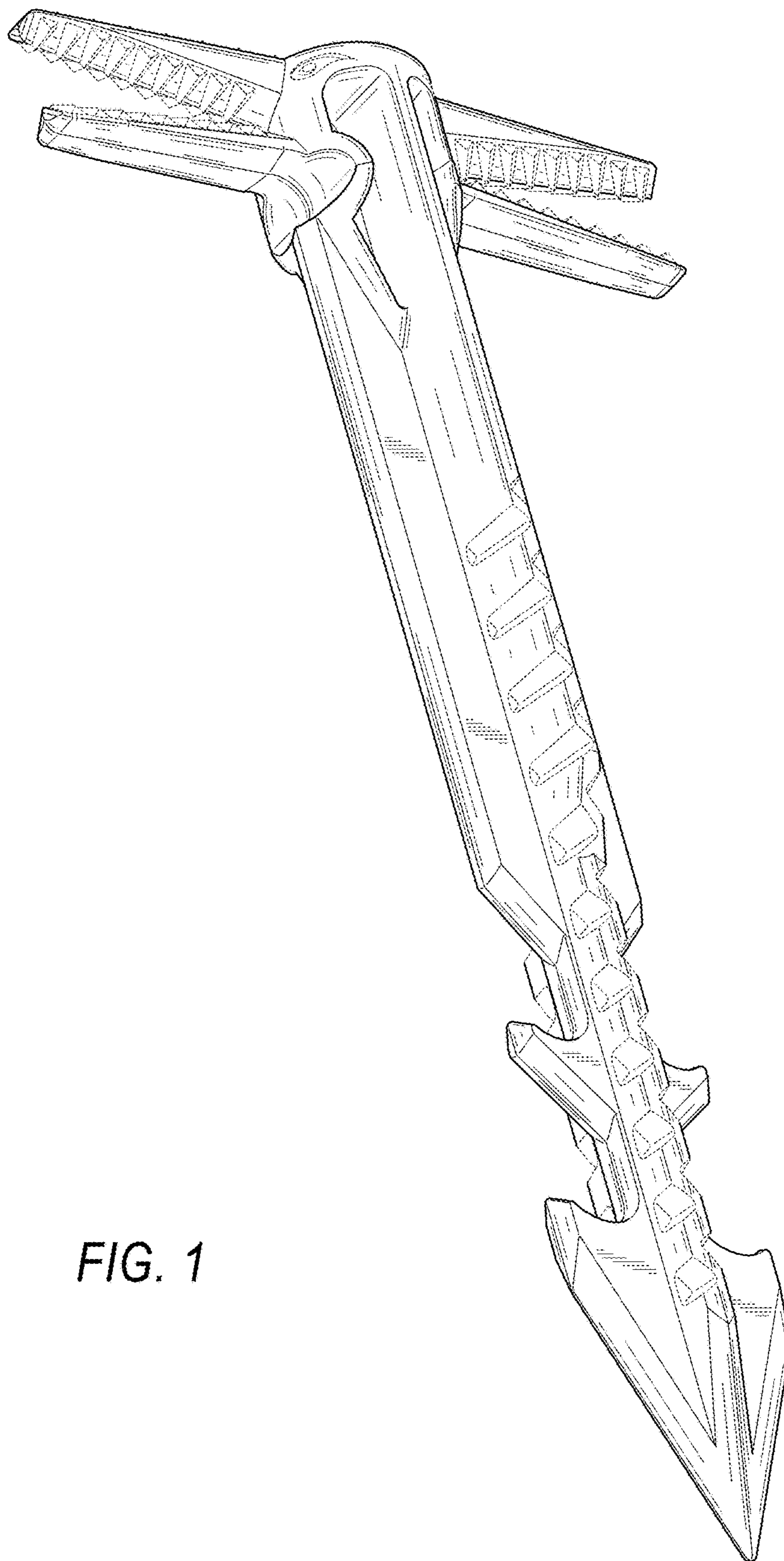


FIG. 1

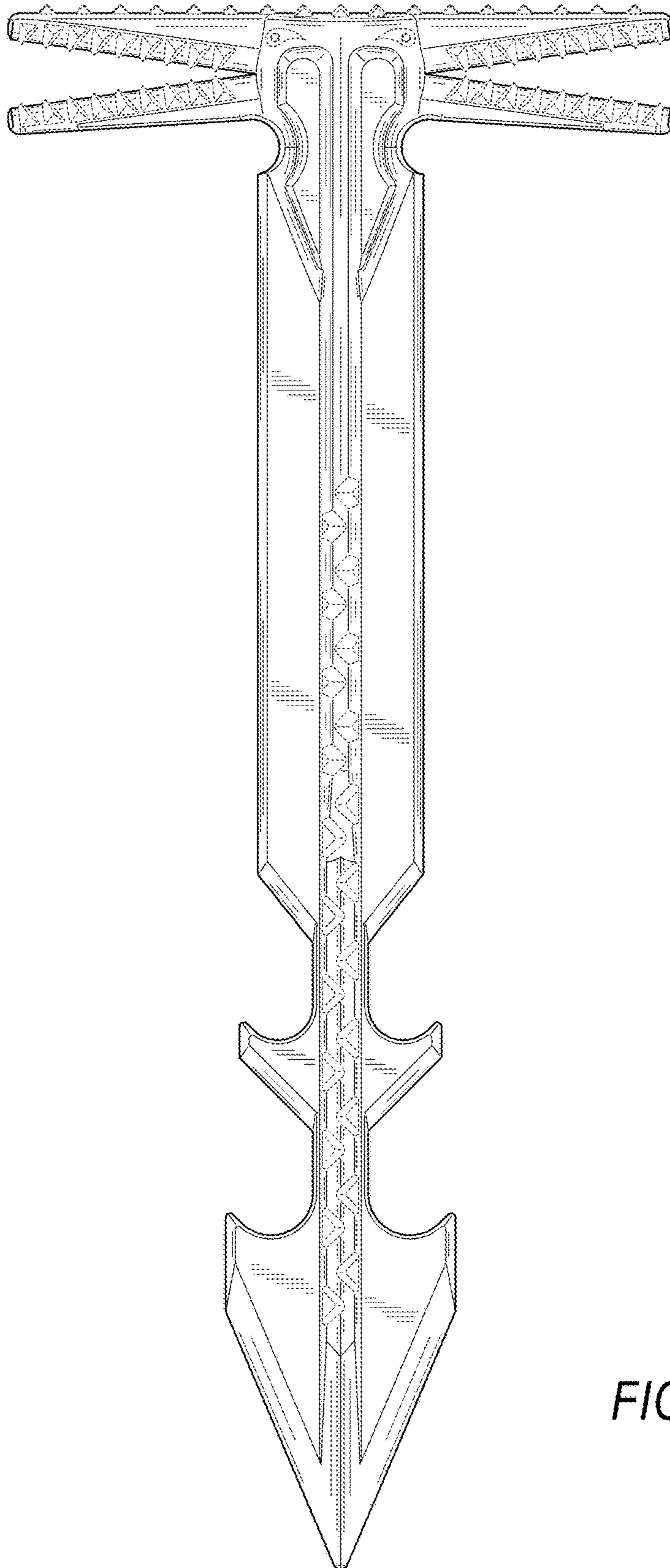


FIG. 2

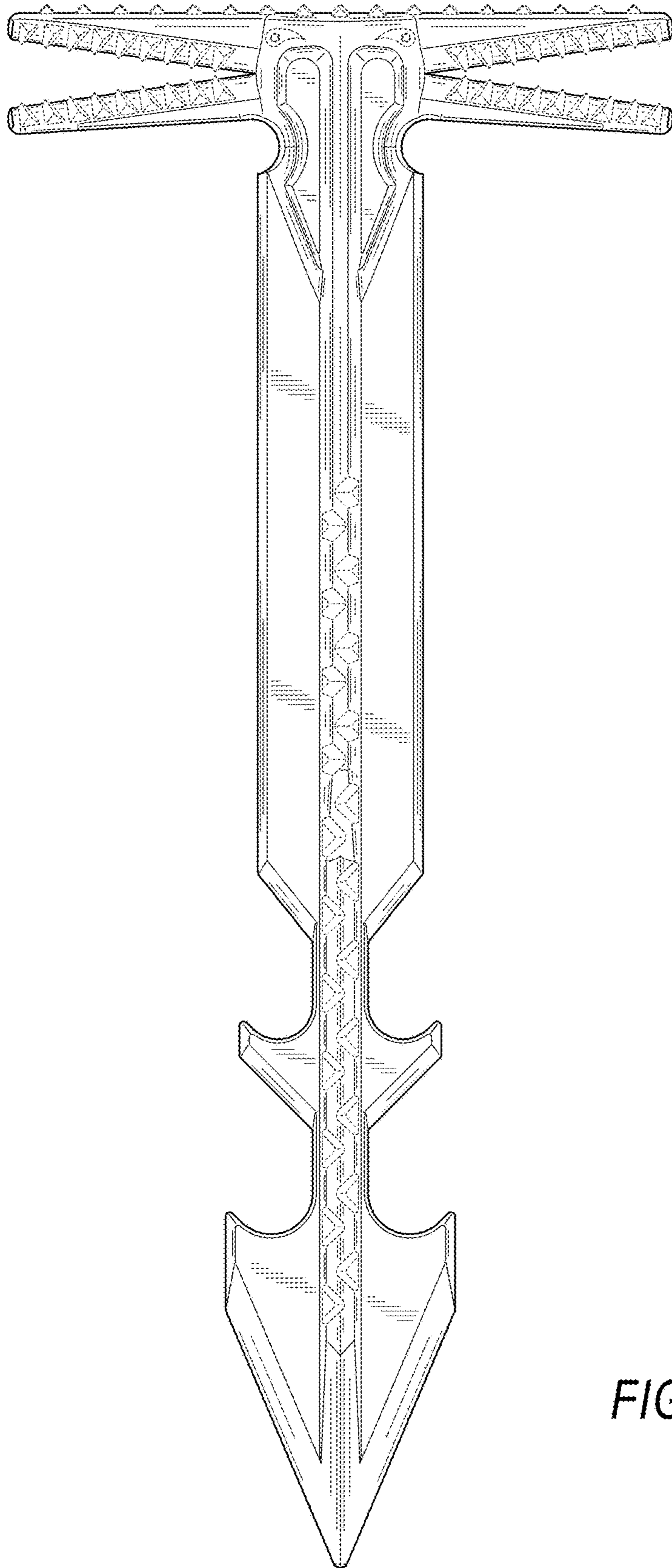


FIG. 3

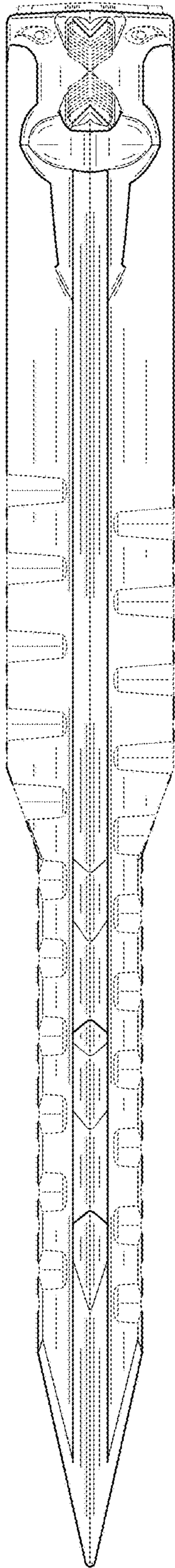


FIG. 4

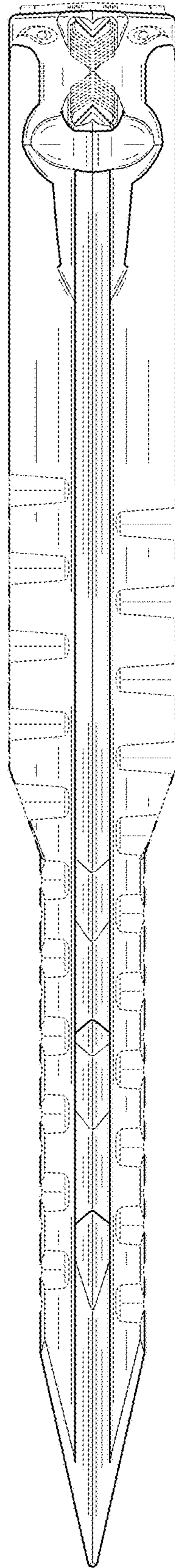


FIG. 5

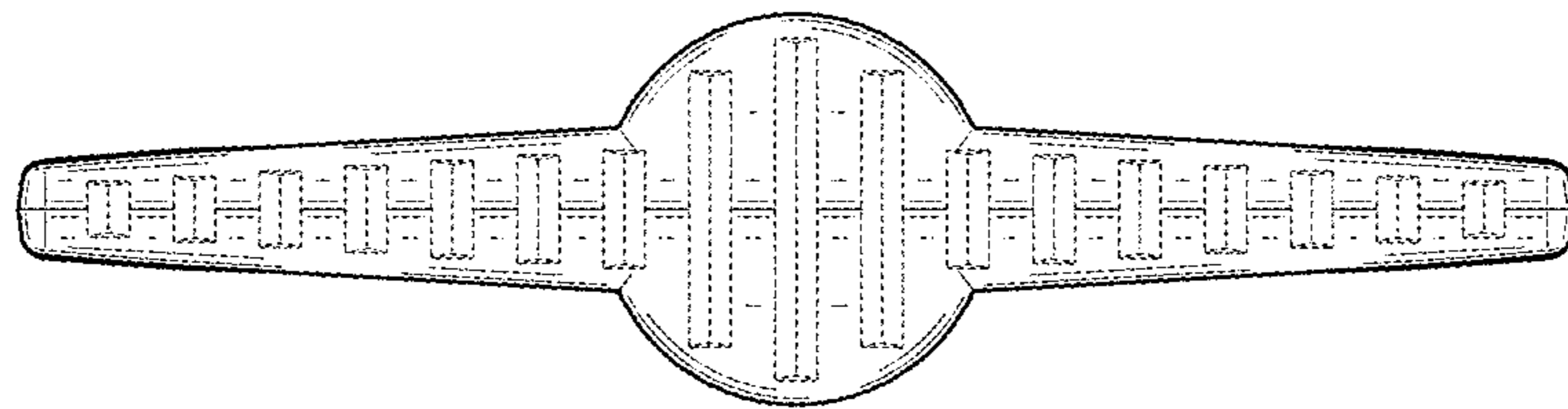


FIG. 6

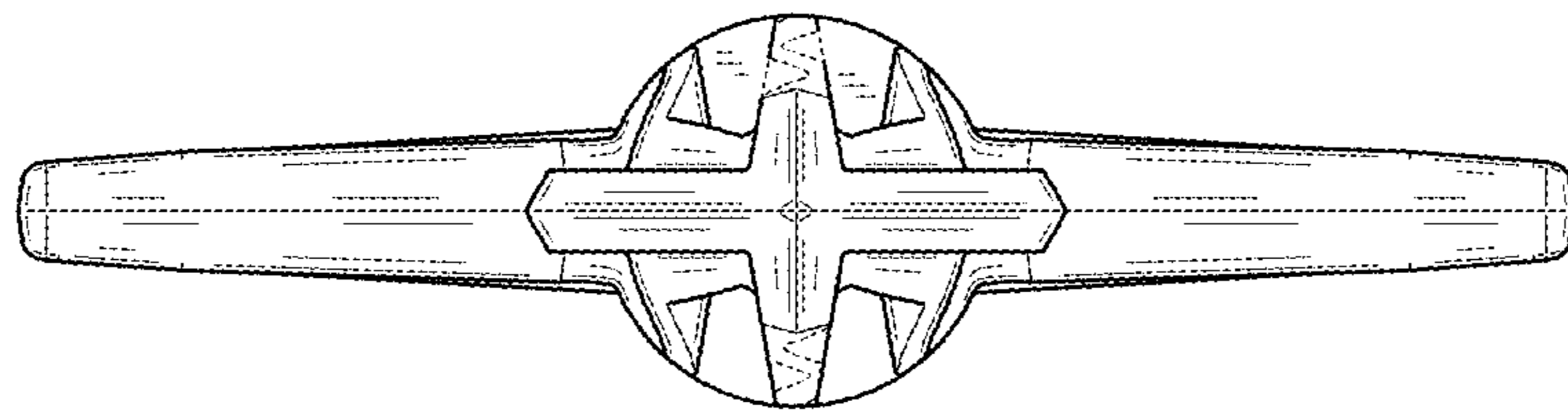


FIG. 7