



US00D824224S

(12) **United States Design Patent**
Zuber

(10) **Patent No.:** **US D824,224 S**

(45) **Date of Patent:** **** Jul. 31, 2018**

- (54) **SPATULA WITH CHANNELS**
- (71) Applicant: **Adam A. Zuber**, Fort Myers, FL (US)
- (72) Inventor: **Adam A. Zuber**, Fort Myers, FL (US)
- (**) Term: **15 Years**
- (21) Appl. No.: **29/604,003**
- (22) Filed: **May 15, 2017**
- (51) **LOC (11) Cl.** **07-04**
- (52) **U.S. Cl.**
USPC **D7/688**
- (58) **Field of Classification Search**
USPC D7/680–696, 393, 395, 669; D32/40, 43,
D32/46
CPC A47J 43/288; A47J 43/281; A47J 43/283;
A47J 17/02; B26B 3/04; B26B 9/02
See application file for complete search history.

(56) **References Cited**
U.S. PATENT DOCUMENTS

2,294,096	A	7/1941	Rice	
2,567,091	A	9/1951	Whitnah et al.	
3,753,587	A	8/1973	Godlewski	
5,403,052	A	4/1995	Lampron	
5,934,722	A	8/1999	Evans	
D571,353	S	6/2008	Fukutake	
7,827,696	B2 *	11/2010	Settele	A47J 17/02 30/121.5
D696,563	S *	12/2013	Hauser	D7/682
D712,710	S	9/2014	Gonzales	

2010/0180452	A1 *	7/2010	Mucci	B26B 3/04 30/314
2011/0019174	A1	1/2011	Soer et al.	
2011/0191974	A1 *	8/2011	Holcomb	A47J 43/281 15/236.01

OTHER PUBLICATIONS

Prepworks Chop Turner Internet Printout.

* cited by examiner

Primary Examiner — Terry A Wallace

(74) *Attorney, Agent, or Firm* — Edward M. Livingston, Esq.; Bryan L. Loeffler, Esq.; Livingston Loeffler, P.A.

(57) **CLAIM**

The ornamental design for a spatula with channels, as shown and described.

DESCRIPTION

FIG. 1 is a right side view of a spatula with channels of the present invention;
 FIG. 2 is a left side view of a spatula with channels of the present invention;
 FIG. 3 is a front view of a spatula with channels of the present invention;
 FIG. 4 is a rear view of a spatula with channels of the present invention;
 FIG. 5 is a top view of a spatula with channels of the present invention; and,
 FIG. 6 is a bottom view of a spatula with channels of the present invention.

1 Claim, 3 Drawing Sheets

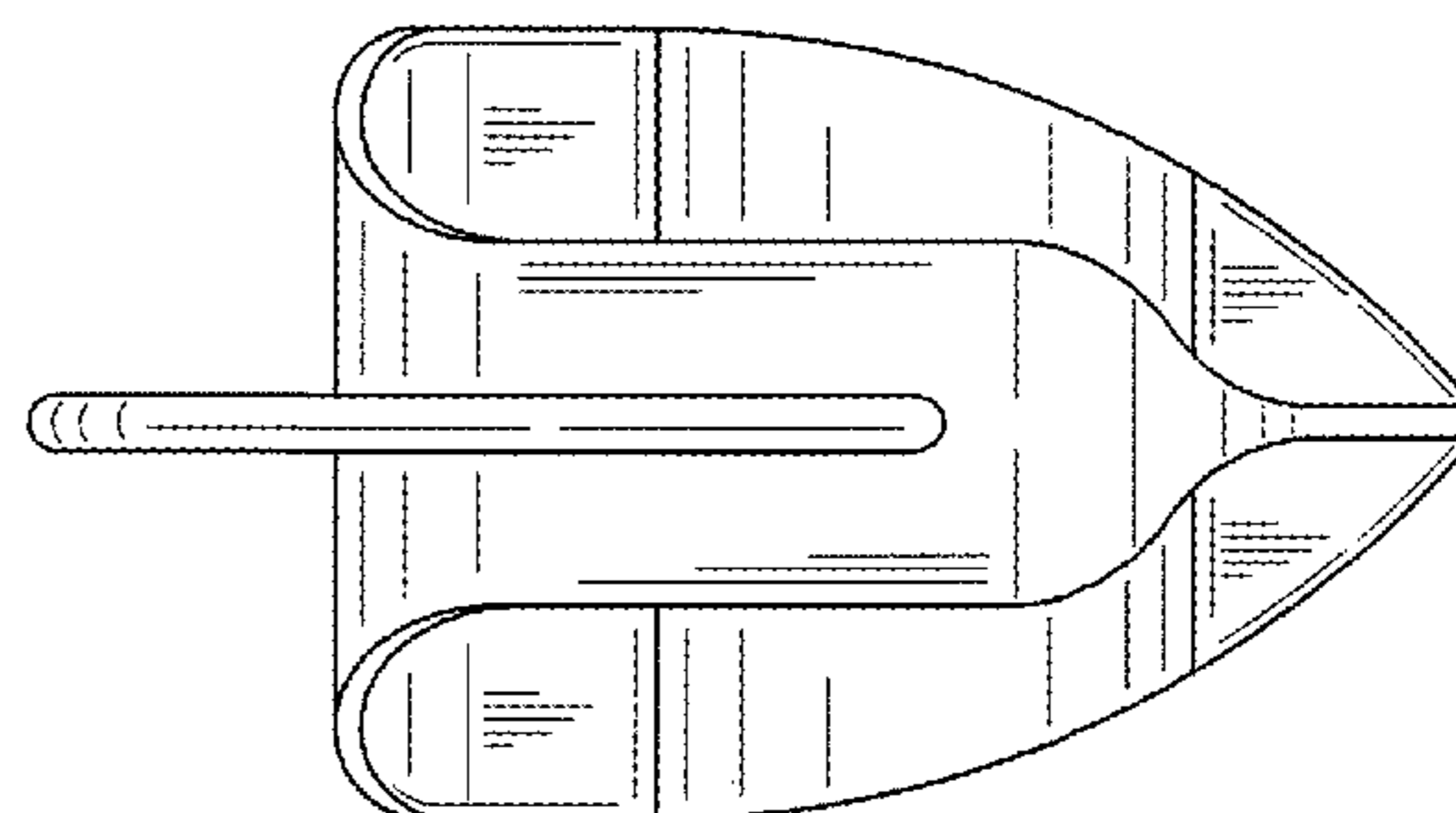
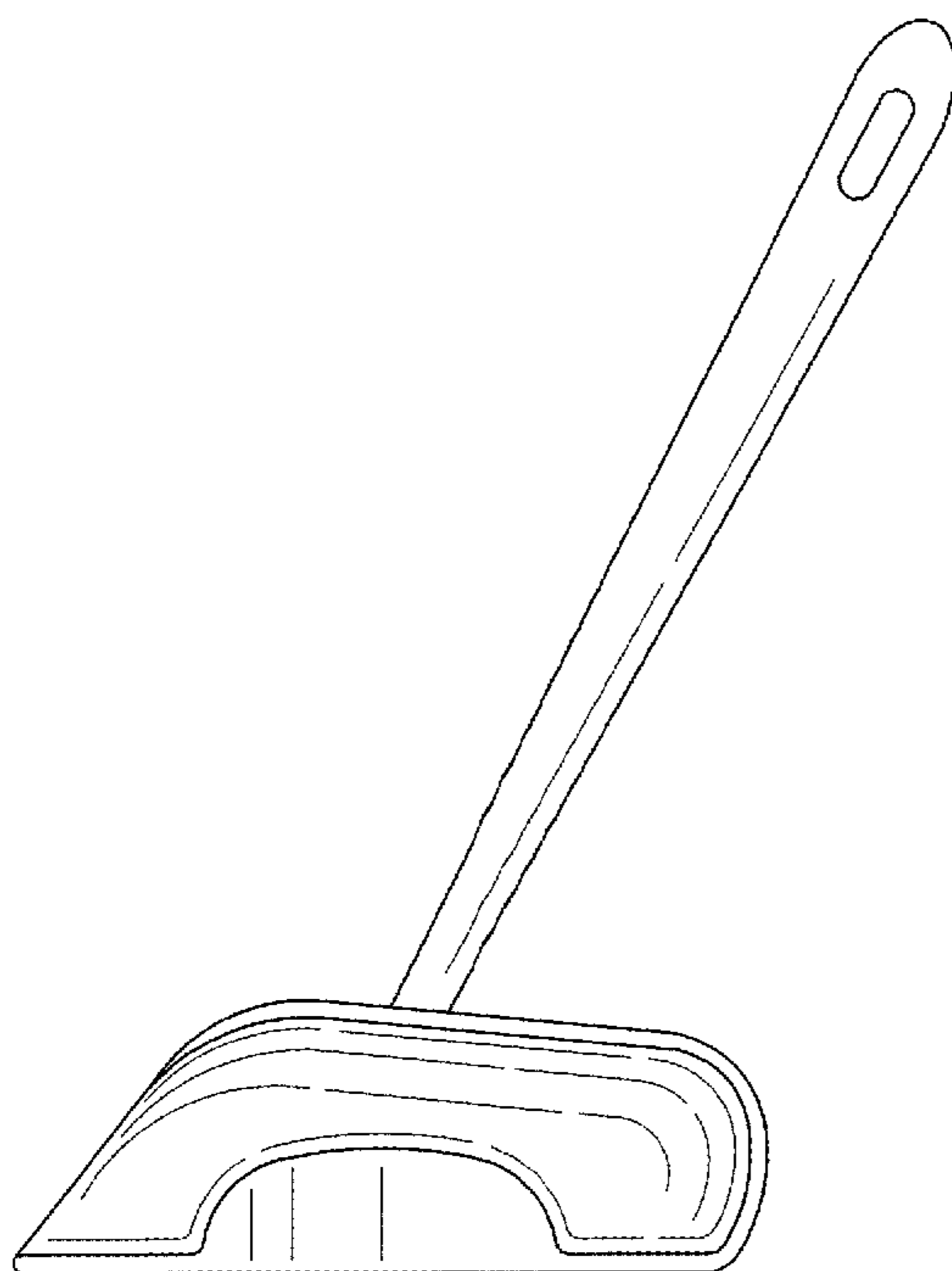


FIG. 1

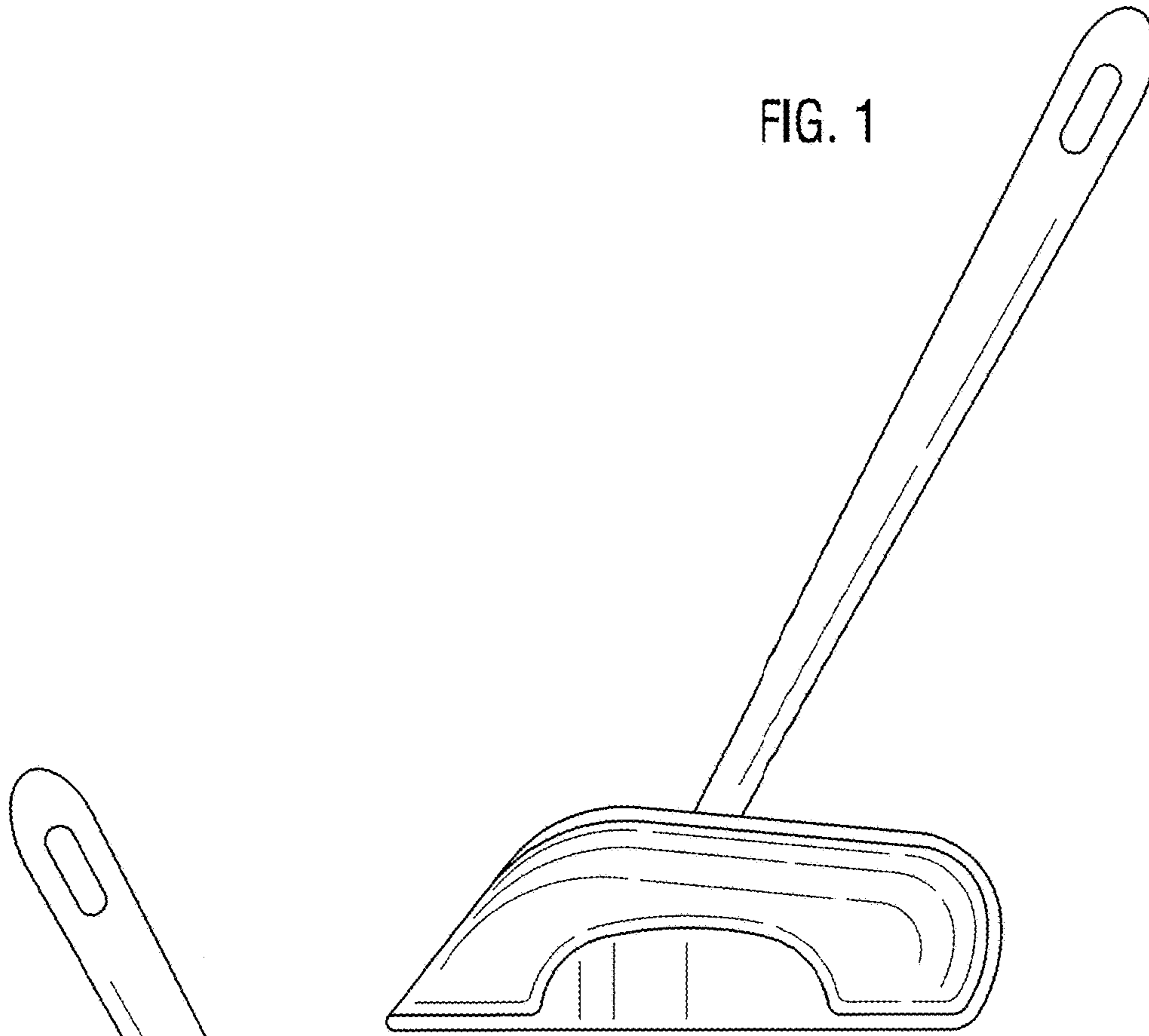


FIG. 2

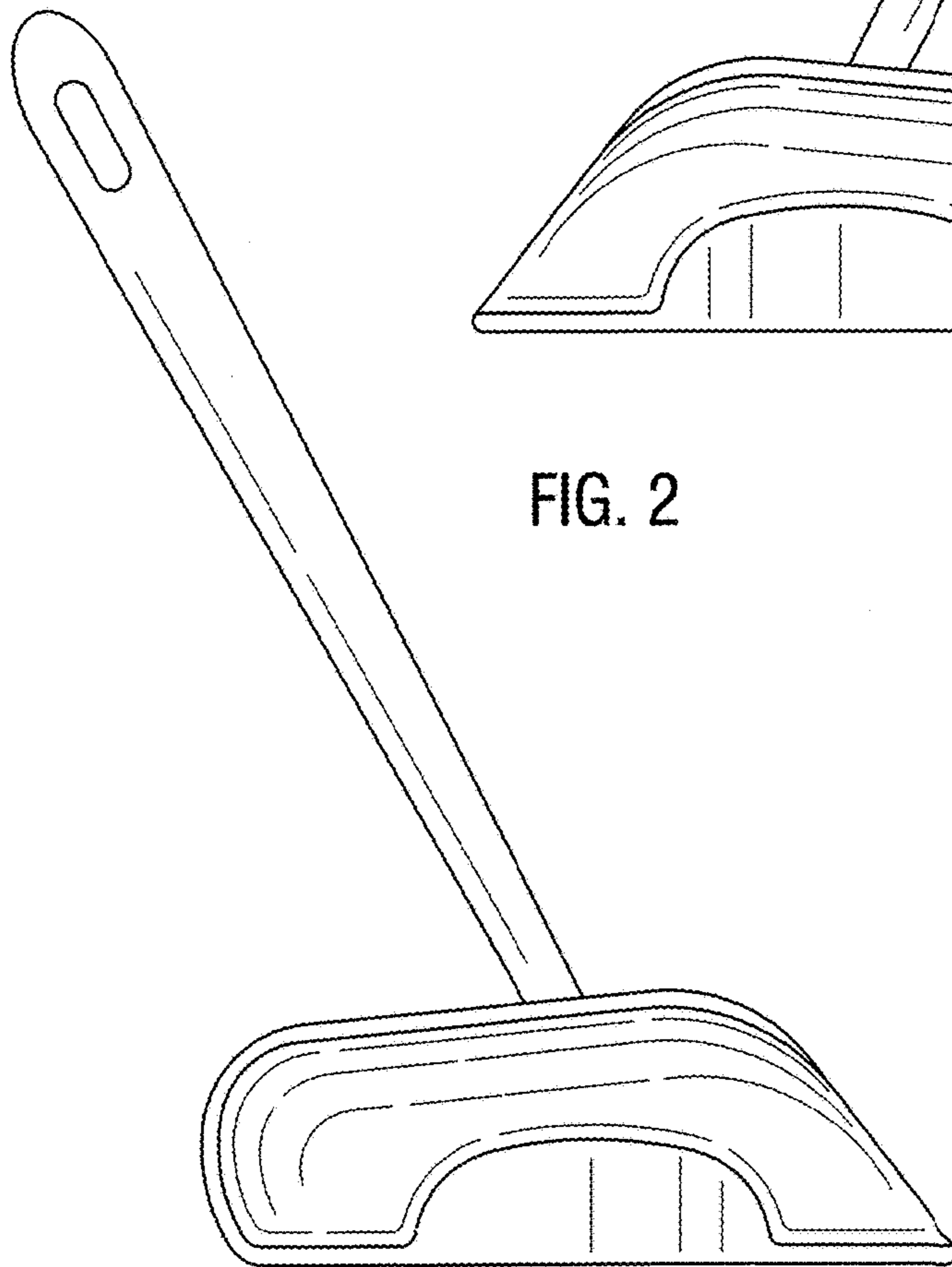


FIG. 3

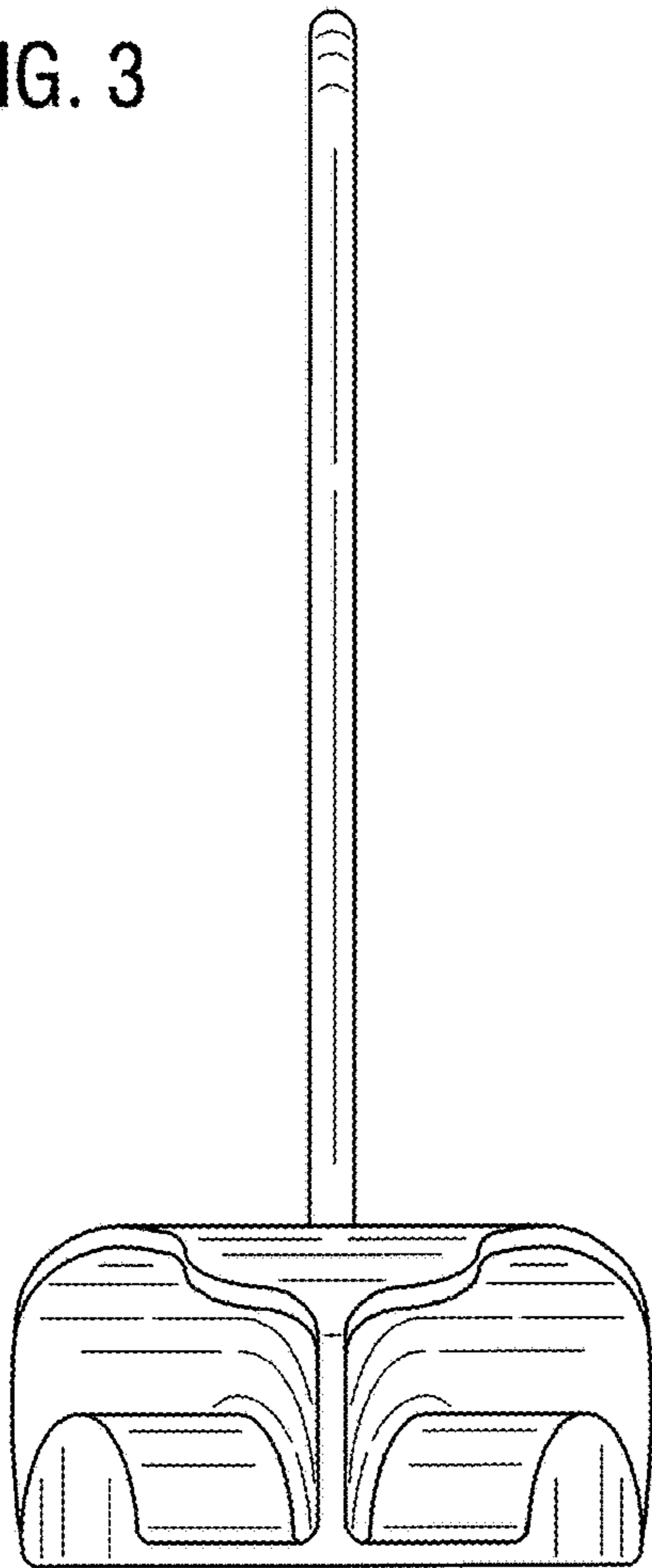


FIG. 4

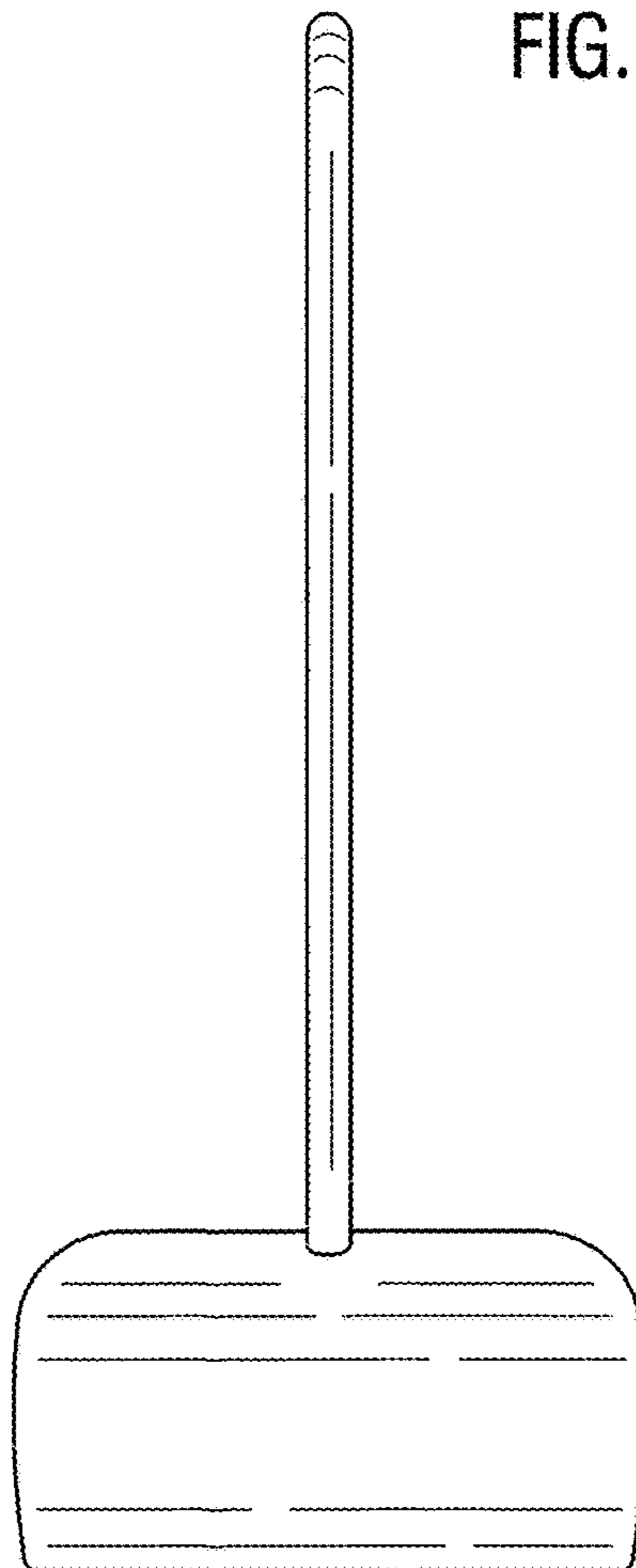


FIG. 5

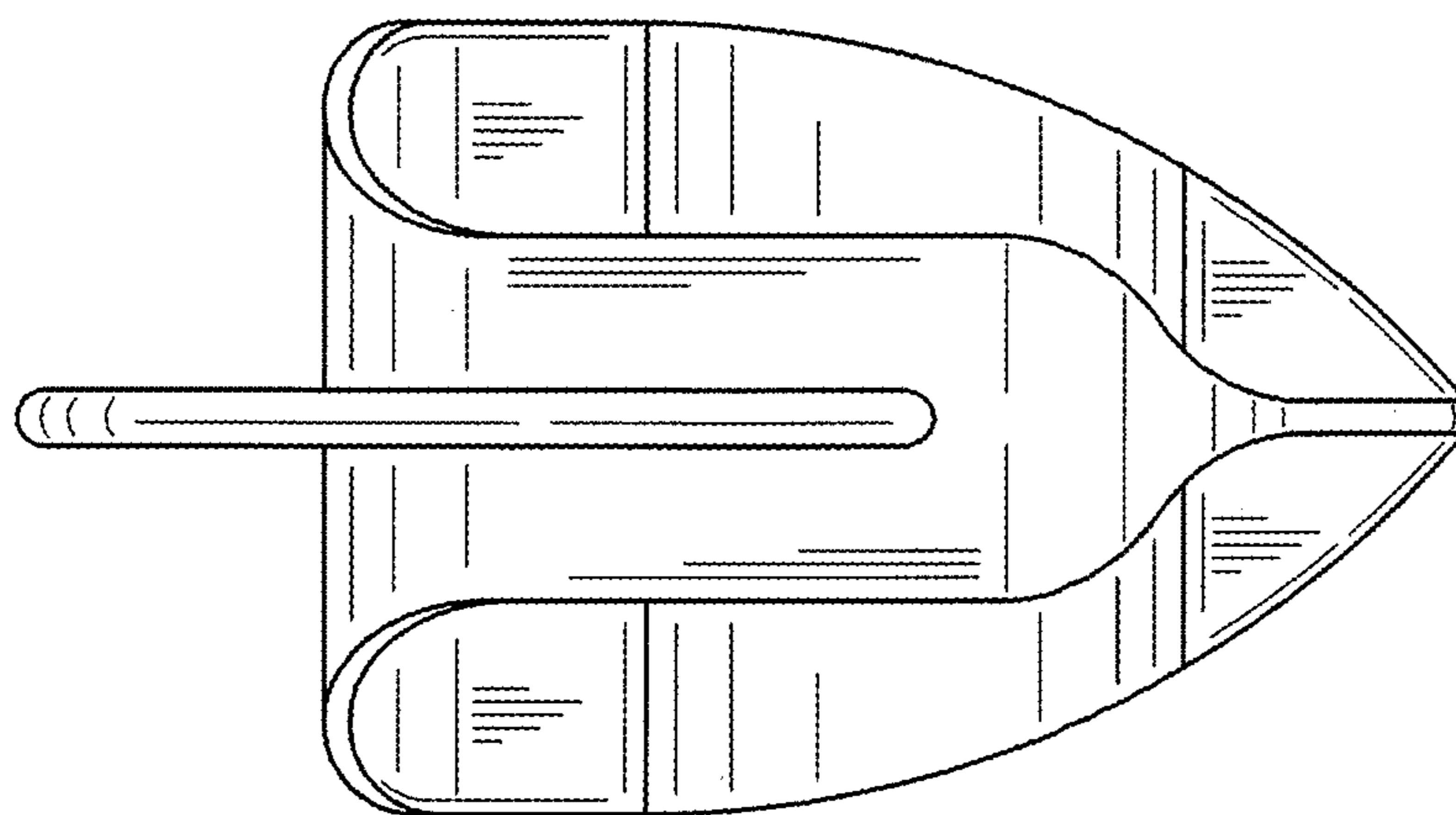


FIG. 6

