



US00D824221S

(12) **United States Design Patent** (10) **Patent No.:** **US D824,221 S**
Walbroel et al. (45) **Date of Patent:** **** Jul. 31, 2018**

(54) **STRAINER** 6,866,511 B1 * 3/2005 Harris G09B 19/00
 220/568
 (71) Applicants: **Jillian Walbroel**, Woodland Park, NJ D505,598 S * 5/2005 Fiedeler D7/667
 (US); **Christon G. Suess**, Paramus, NJ 8,631,722 B1 * 1/2014 Davis B25F 1/04
 (US) D705,637 S * 5/2014 Salles D8/105
 D727,701 S * 4/2015 Goldy D8/34
 (72) Inventors: **Jillian Walbroel**, Woodland Park, NJ 2013/0160213 A1 * 6/2013 Salles A47J 43/27
 (US); **Christon G. Suess**, Paramus, NJ 7/119
 (US)

* cited by examiner

(73) Assignee: **Cotapaxi Custom Design and Manufacturing LLC**, Carlstadt, NJ
 (US)

Primary Examiner — Terry A Wallace

(74) Attorney, Agent, or Firm — Steven E. Shapiro

(**) Term: **15 Years**

(21) Appl. No.: **29/615,686**

(22) Filed: **Aug. 30, 2017**

(51) **LOC (11) Cl.** **07-04**

(52) **U.S. Cl.**
USPC **D7/667**

(58) **Field of Classification Search**
USPC D7/667, 668, 368, 669, 393, 395, 505,
D7/509

CPC A47J 43/27; B25F 1/04; B25F 1/00; B67B
7/38; A47G 21/04; B26B 1/04; G01F
19/002; G01F 19/00

See application file for complete search history.

(56) **References Cited**

U.S. PATENT DOCUMENTS

D158,412 S * 5/1950 Sandofur D10/46.2
 D497,524 S * 10/2004 Marsden D7/667

(57) **CLAIM**

The ornamental design for a strainer, as shown and described.

DESCRIPTION

FIG. 1 is a perspective view of a strainer incorporating our new design, a spring represented by phantom lines forming no part of our new design;

FIG. 2 is a front plan view of the strainer;

FIG. 3 is a rear plan view of the strainer;

FIG. 4 is a left side plan view of the strainer;

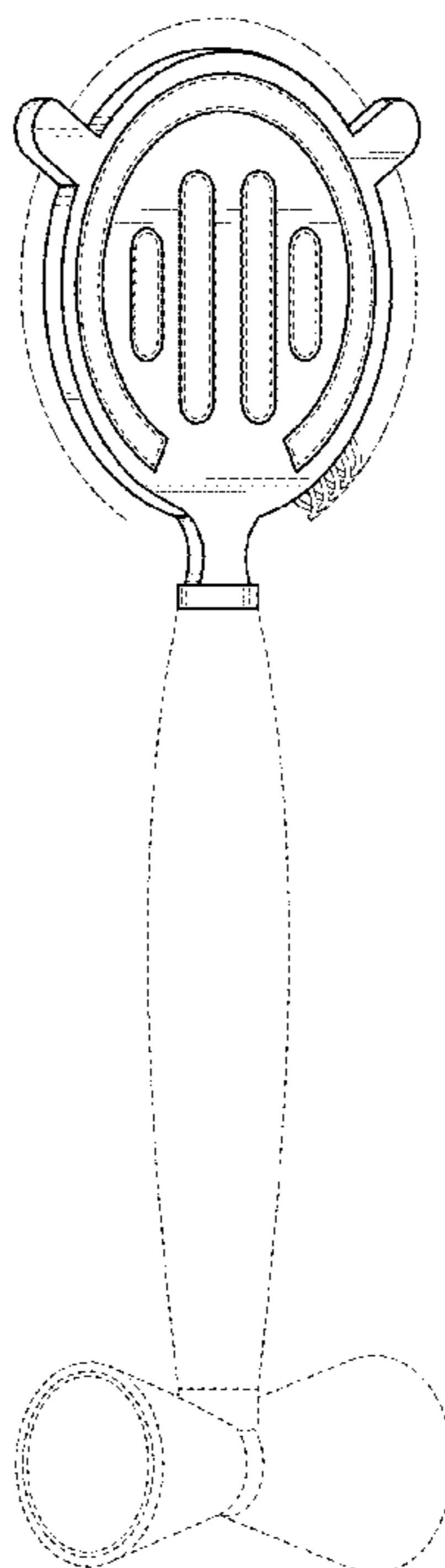
FIG. 5 is a right side plan view of the strainer;

FIG. 6 is a top plan view of the strainer; and,

FIG. 7 is a bottom plan view of the strainer.

The broken lines represent portions of the strainer that form no part of the claimed design.

1 Claim, 7 Drawing Sheets



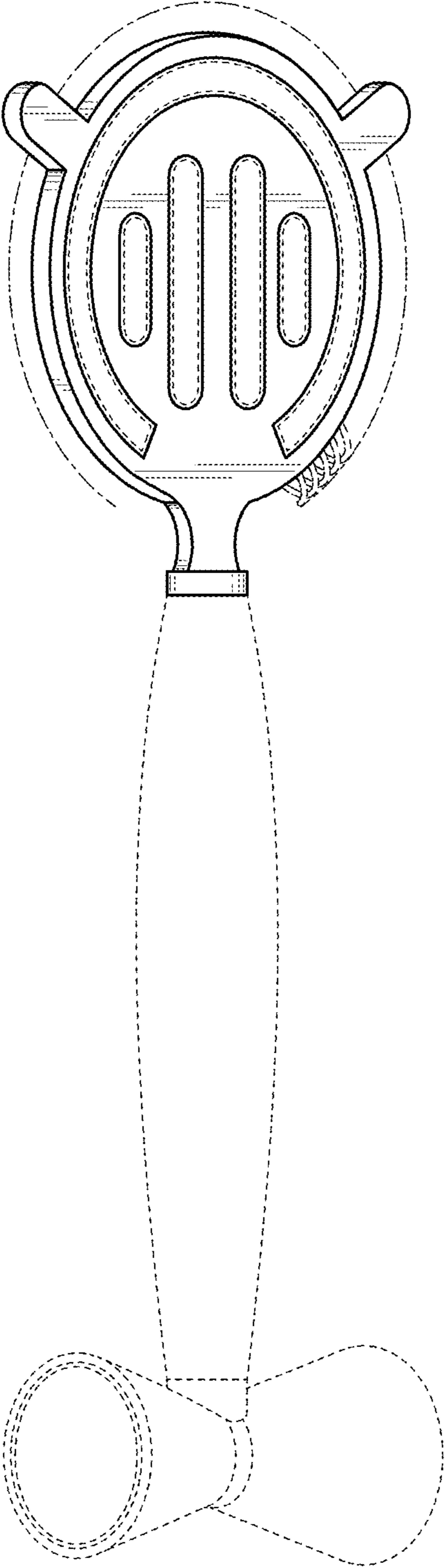


FIG. 1

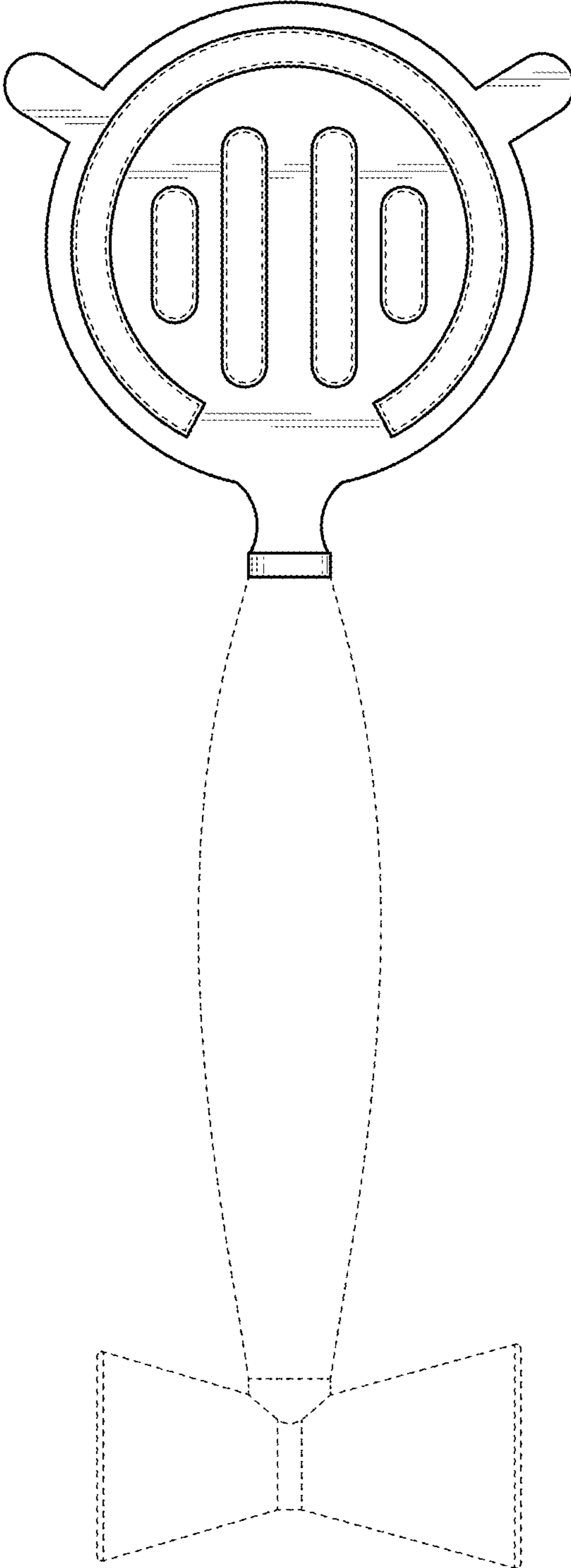


FIG. 2

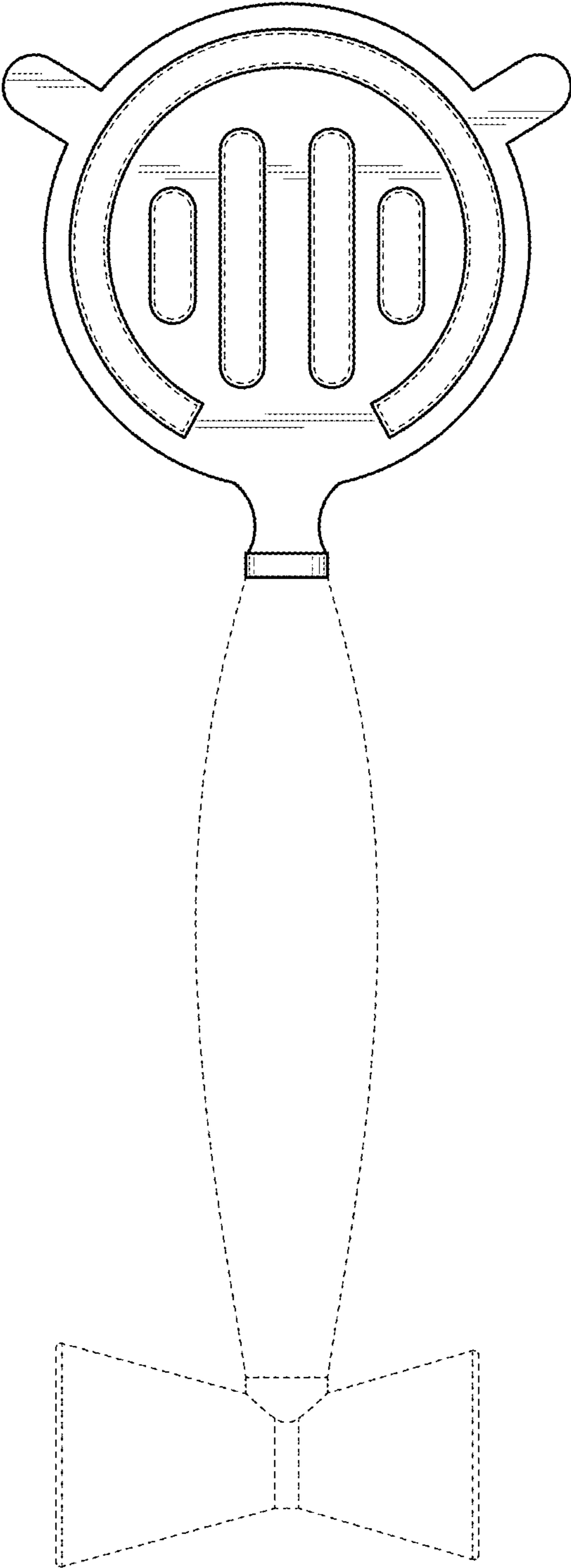


FIG. 3

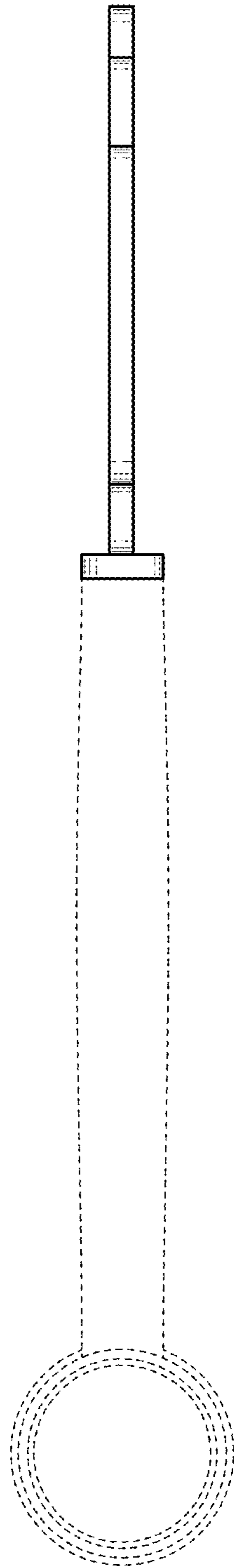


FIG. 4

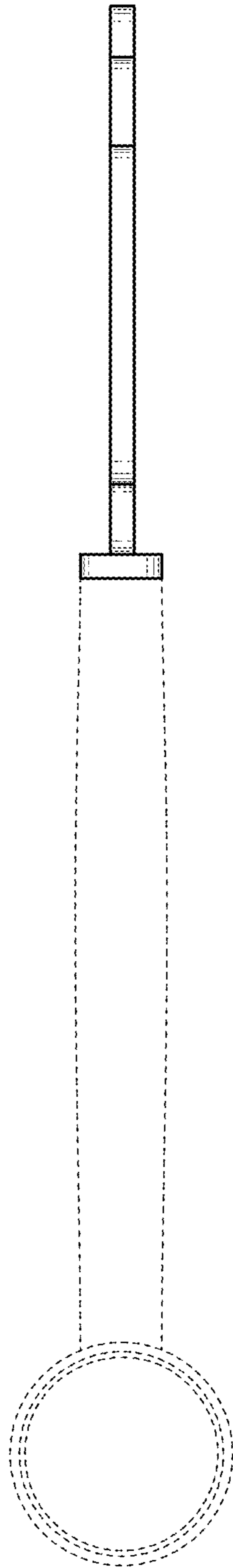


FIG. 5

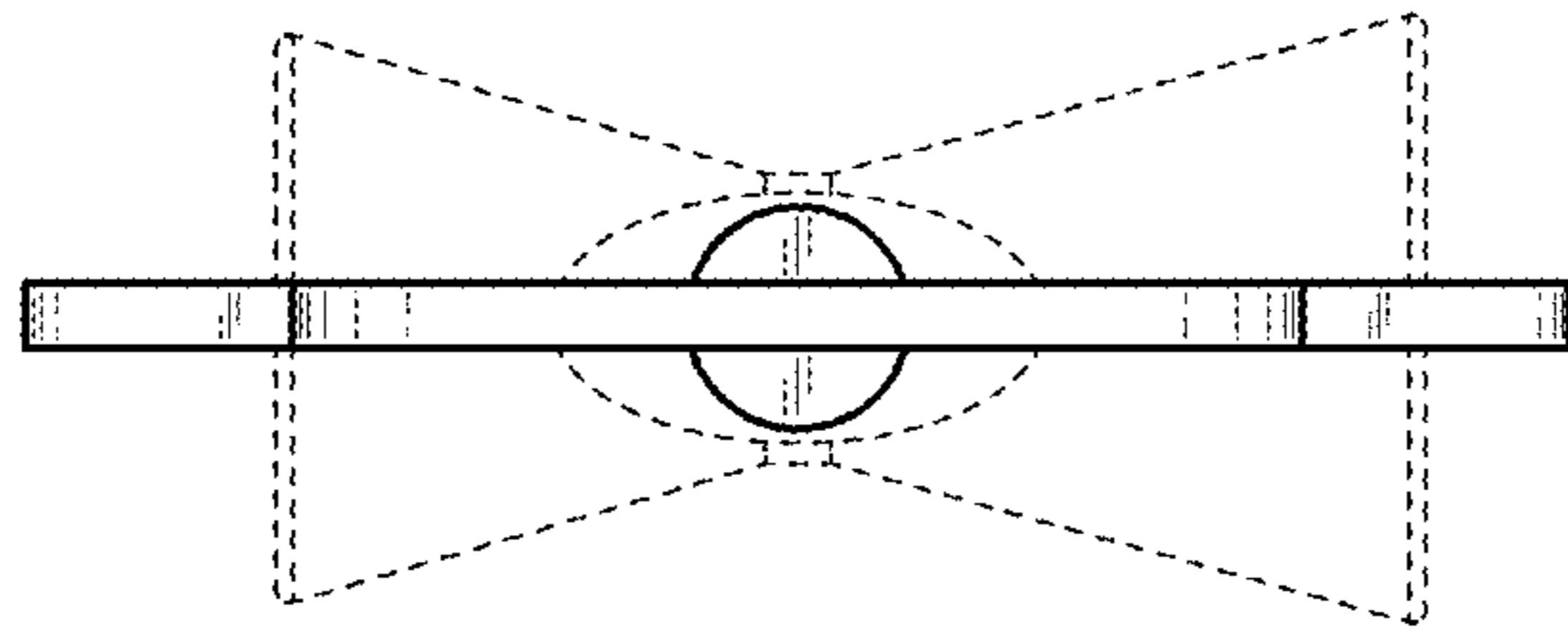


FIG. 6

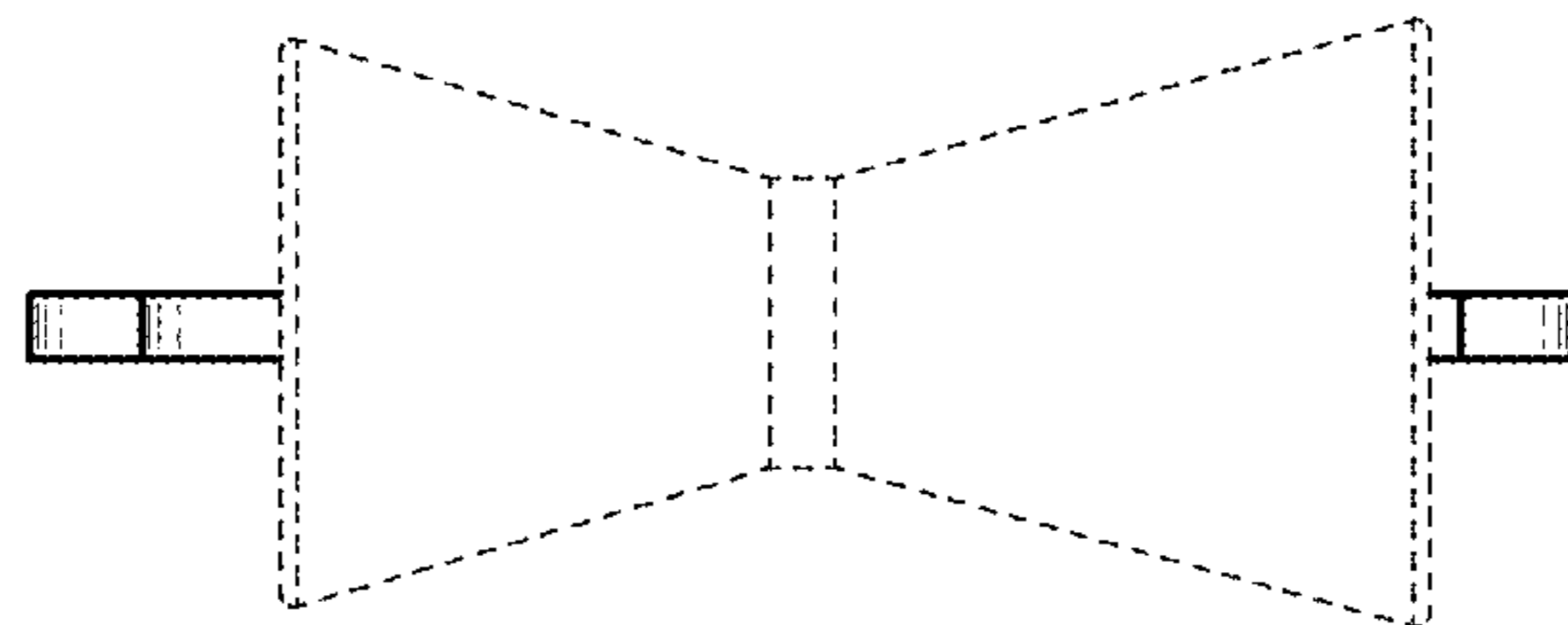


FIG. 7