



US00D824214S

(12) **United States Design Patent**
Albers

(10) **Patent No.:** **US D824,214 S**
(45) **Date of Patent:** **** Jul. 31, 2018**

- (54) **TWO-PIECE WINE GLASS**
- (71) Applicant: **Luft Industrie Inc.**, Oakland, CA (US)
- (72) Inventor: **Oliver Albers**, Oakland, CA (US)
- (73) Assignee: **LUFT INDUSTRIE INC.**, Oakland, CA (US)

- D78,171 S * 4/1929 Stern D7/536
- 1,725,265 A 8/1929 Glendinning
- 2,323,287 A 8/1939 Amberg
- D189,302 S * 11/1960 Skuplen D7/523
- D202,643 S * 10/1965 Hoyt D7/536
- 3,215,300 A 11/1965 Lynch
- 3,289,822 A 12/1966 Schumer et al.
- 3,405,862 A 10/1968 Spyra

(Continued)

(**) Term: **15 Years**

FOREIGN PATENT DOCUMENTS

(21) Appl. No.: **29/590,383**

WO 2015153953 10/2015

(22) Filed: **Jan. 10, 2017**

Primary Examiner — Marianne Pandozzi

Assistant Examiner — Jae Liang

Related U.S. Application Data

(74) *Attorney, Agent, or Firm* — Onello & Mello, LLP.

(63) Continuation-in-part of application No. 14/881,742, filed on Oct. 13, 2015, now Pat. No. 9,723,938, which is a continuation-in-part of application No. 14/293,657, filed on Jun. 2, 2014, now Pat. No. 9,155,410.

(57) **CLAIM**

The ornamental design for a two-piece wine glass, as shown and described.

(51) **LOC (11) Cl.** **07-01**

DESCRIPTION

(52) **U.S. Cl.**

USPC **D7/523; D7/532; D7/507**

(58) **Field of Classification Search**

USPC D7/507, 509, 510, 511, 523, 527, 529, D7/531, 532, 533, 534, 535, 536, 608, D7/300, 300.1, 300.2, 552.1, 319, 393, D7/394, 387, 391, 392.1, 396.2; D34/39; D9/503, 907, 531, 435, 436, 454, 449, D9/443; 220/592.16, 592.17, 495.03, 220/705-710

CPC A47G 19/22; A47G 19/2205; A47G 19/2222; A45F 3/16; A45F 3/20; B67D 7/06; B67D 1/0004; B65D 25/14

See application file for complete search history.

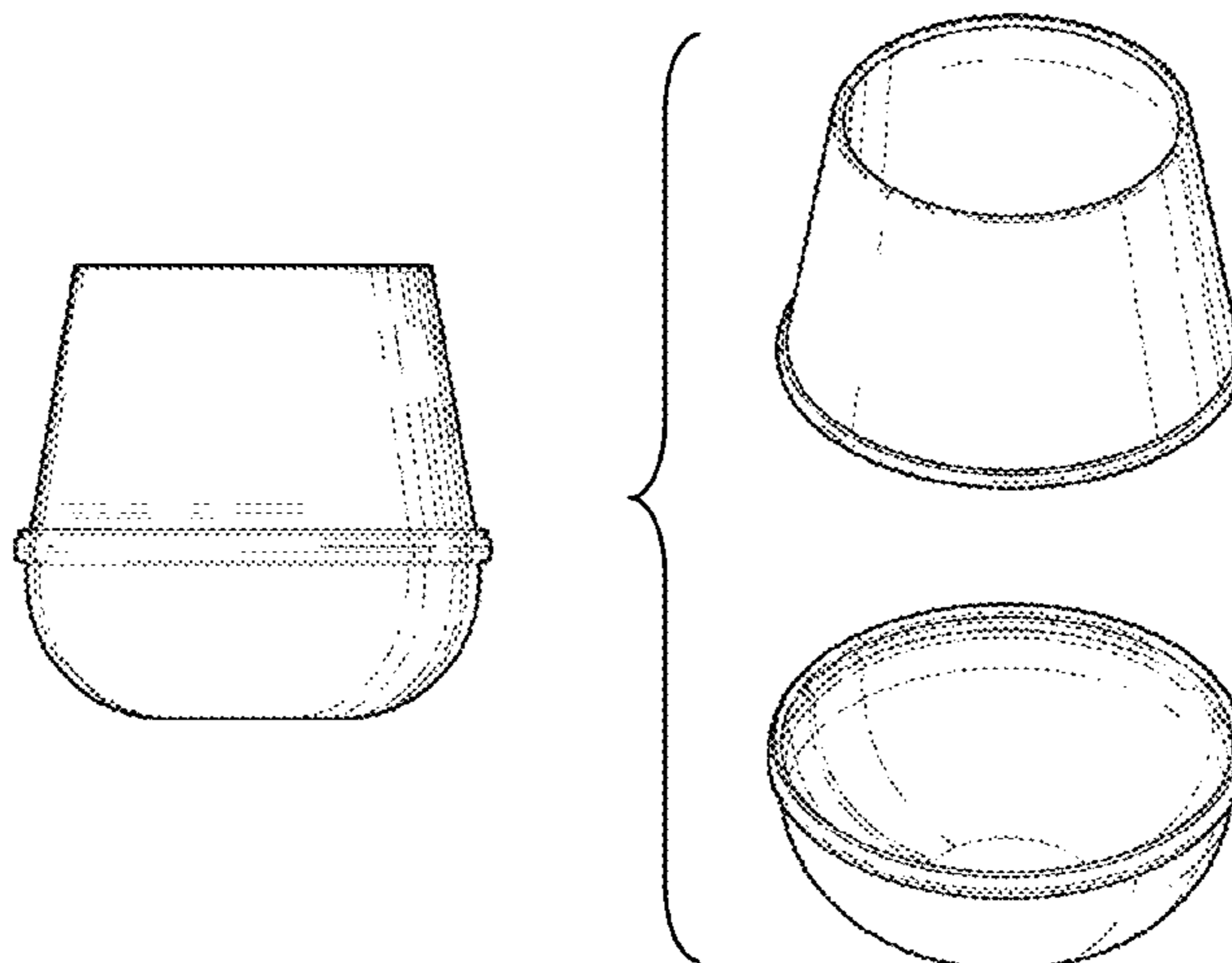
FIG. 1 is a top view of a two-piece wine glass showing my new design;
FIG. 2 is a front view of the two-piece wine glass of FIG. 1;
FIG. 3 is a bottom view of the two-piece wine glass of FIG. 1;
FIG. 4 is a top view of the two-piece wine glass of FIG. 1 with the top portion removed for ease of illustration;
FIG. 5 is a front view of FIG. 4;
FIG. 6 is a bottom view of FIG. 4;
FIG. 7 is a top view of the two-piece wine glass of FIG. 1 with the bottom portion removed for ease of illustration;
FIG. 8 is a front view of FIG. 7;
FIG. 9 is a bottom view of FIG. 7;
FIG. 10 is an exploded perspective view of FIG. 1; and,
FIG. 11 is a cross section view showing a section taken along line 11-11 of FIG. 1.

(56) **References Cited**

U.S. PATENT DOCUMENTS

- 640,860 A 1/1900 Baum, Jr.
- 1,033,744 A 7/1912 Smith

1 Claim, 5 Drawing Sheets



(56)

References Cited

U.S. PATENT DOCUMENTS

3,781,164	A *	12/1973	McCaffery	F21V 35/00 220/659
3,915,296	A	10/1975	Spencer	
D249,316	S *	9/1978	Tyska	D7/536
4,508,235	A	4/1985	Steele et al.	
5,071,042	A	12/1991	Esposito	
6,409,038	B1	6/2002	Karp	
D465,384	S *	11/2002	Schanzer	D7/507
D551,480	S *	9/2007	Dretzka	D6/551
D601,852	S *	10/2009	Newman	D7/523
D672,084	S *	12/2012	Ducey	D27/137
D771,439	S *	11/2016	Miller	D7/509
D774,828	S *	12/2016	Miller	D7/523
9,723,938	B2 *	8/2017	Albers	A47G 19/2205
D796,907	S *	9/2017	Bronwasser	D7/533
2005/0092759	A1	5/2005	Willat et al.	
2010/0308042	A1	12/2010	Faris	
2012/0091131	A1	4/2012	Arjomand	
2014/0353309	A1	12/2014	Albers	
2016/0073811	A1 *	3/2016	Bell	A47G 19/2205 206/459.5
2016/0100702	A1 *	4/2016	Albers	A47G 19/2205 206/517

* cited by examiner

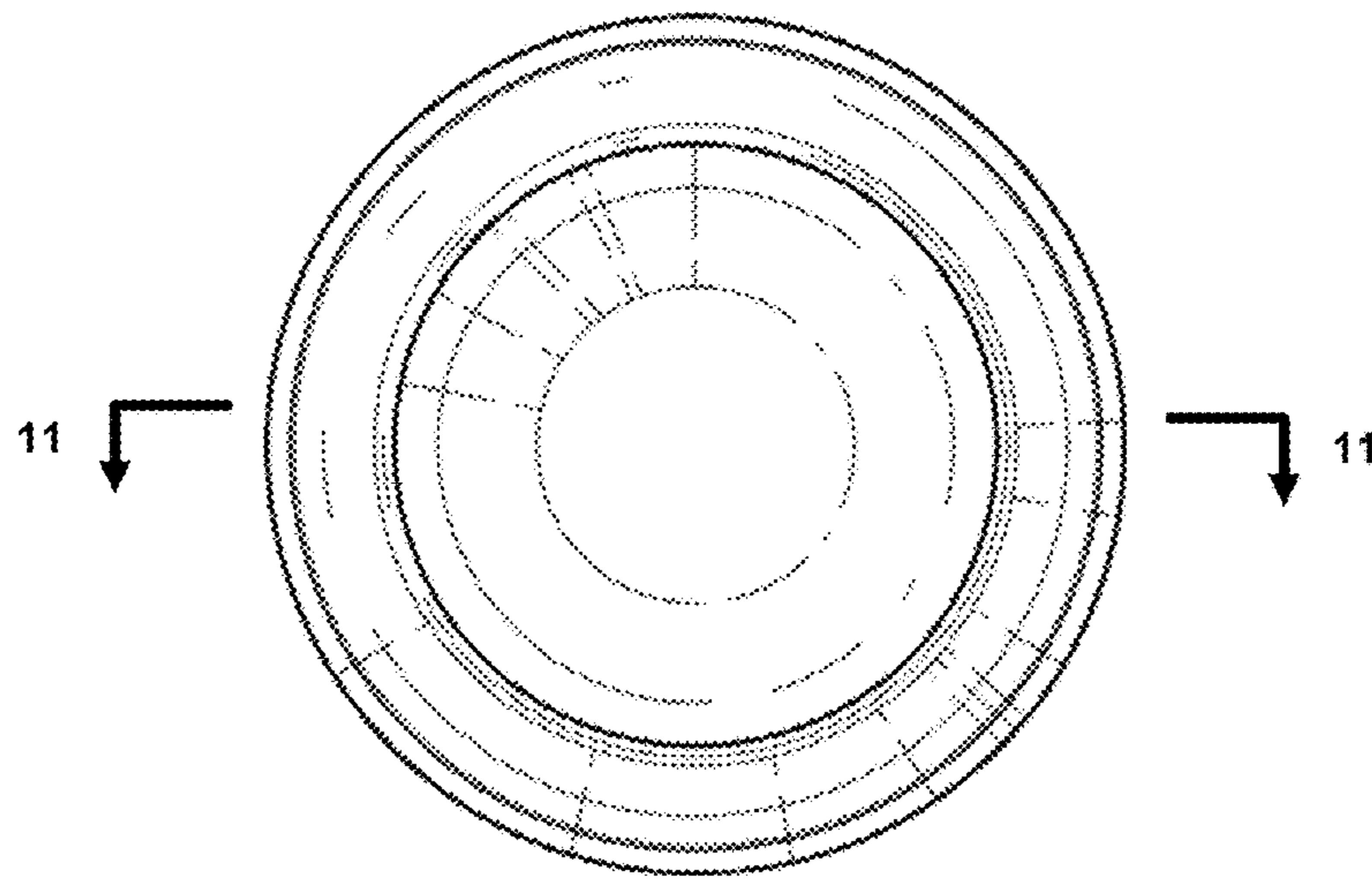


FIG. 1

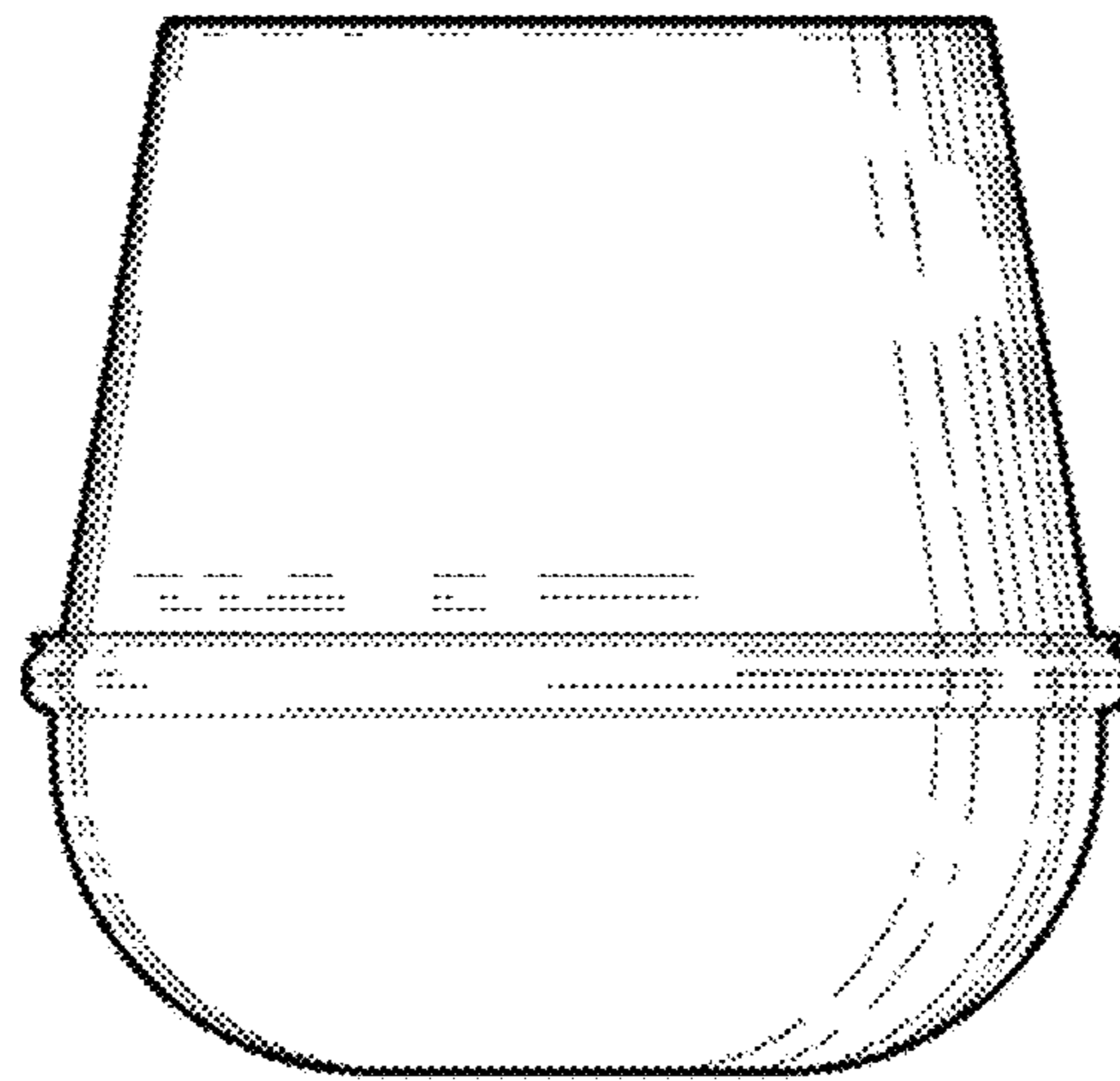


FIG. 2

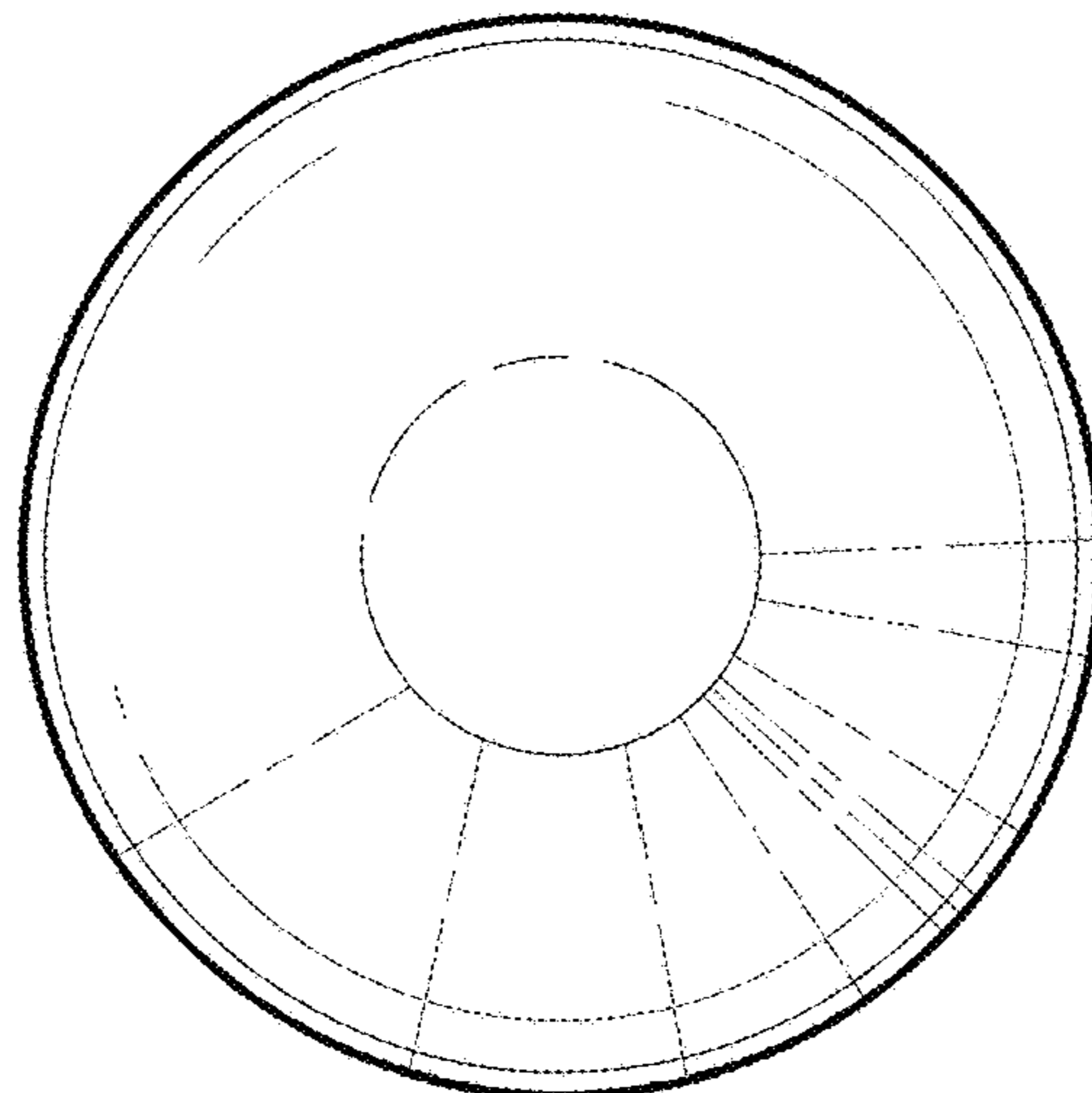


FIG. 3

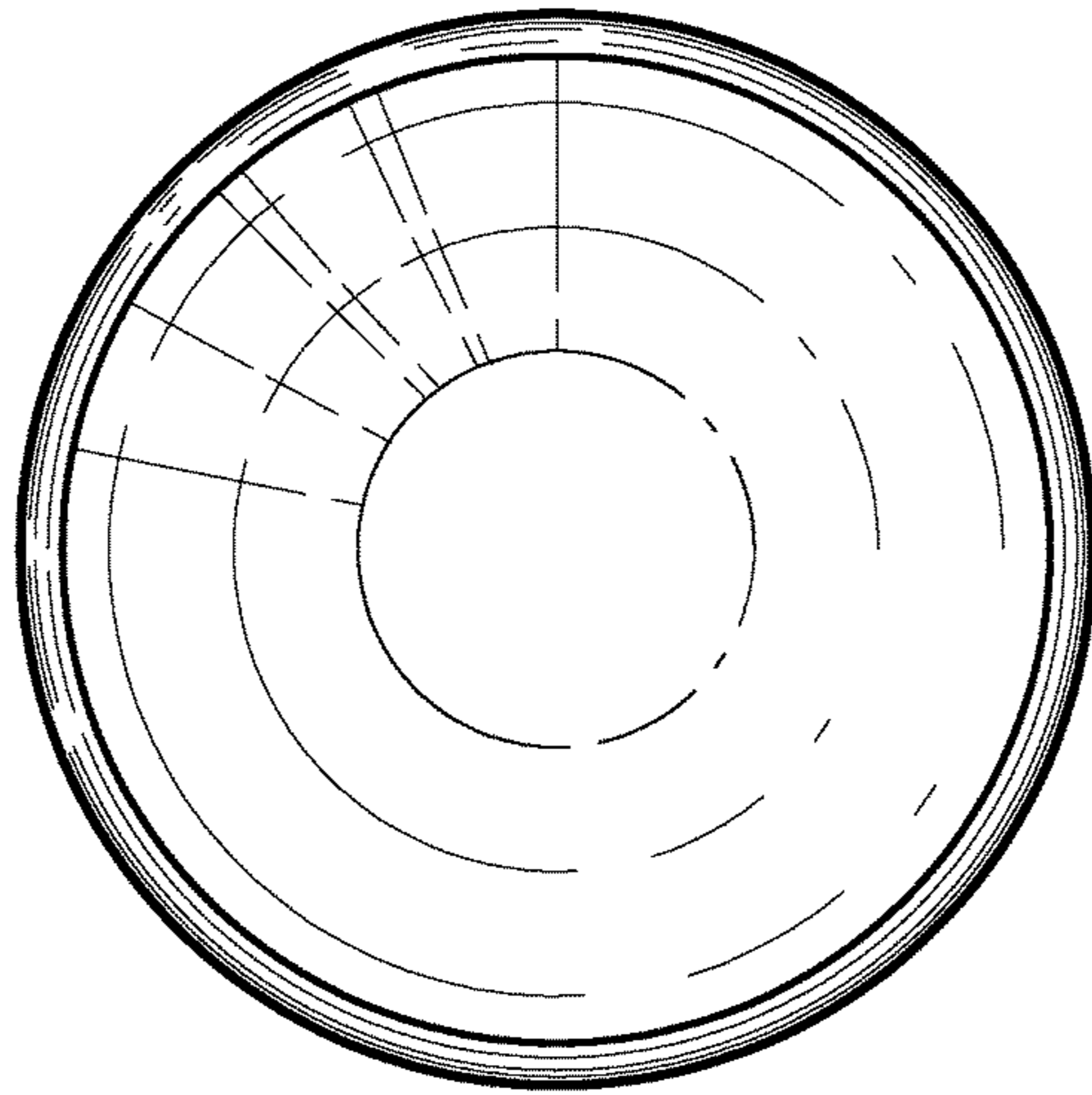


FIG. 4

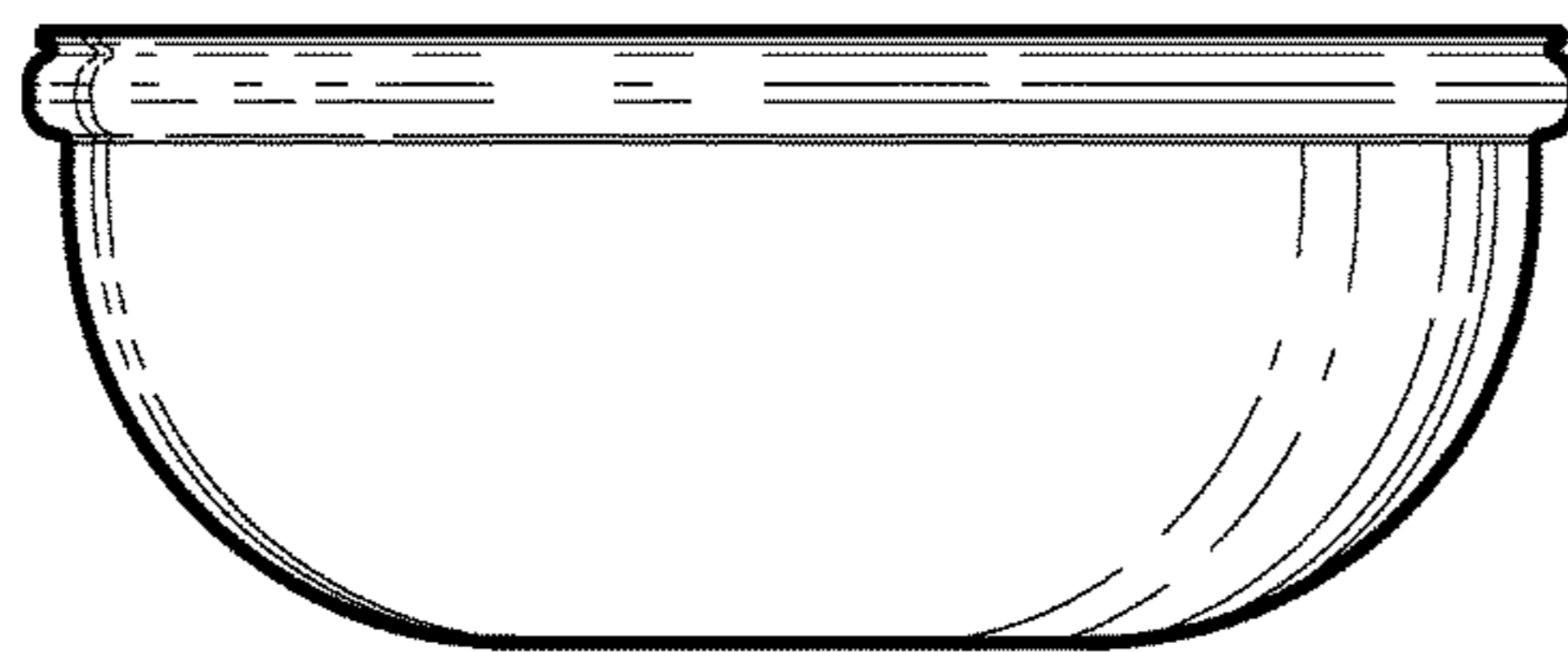


FIG. 5

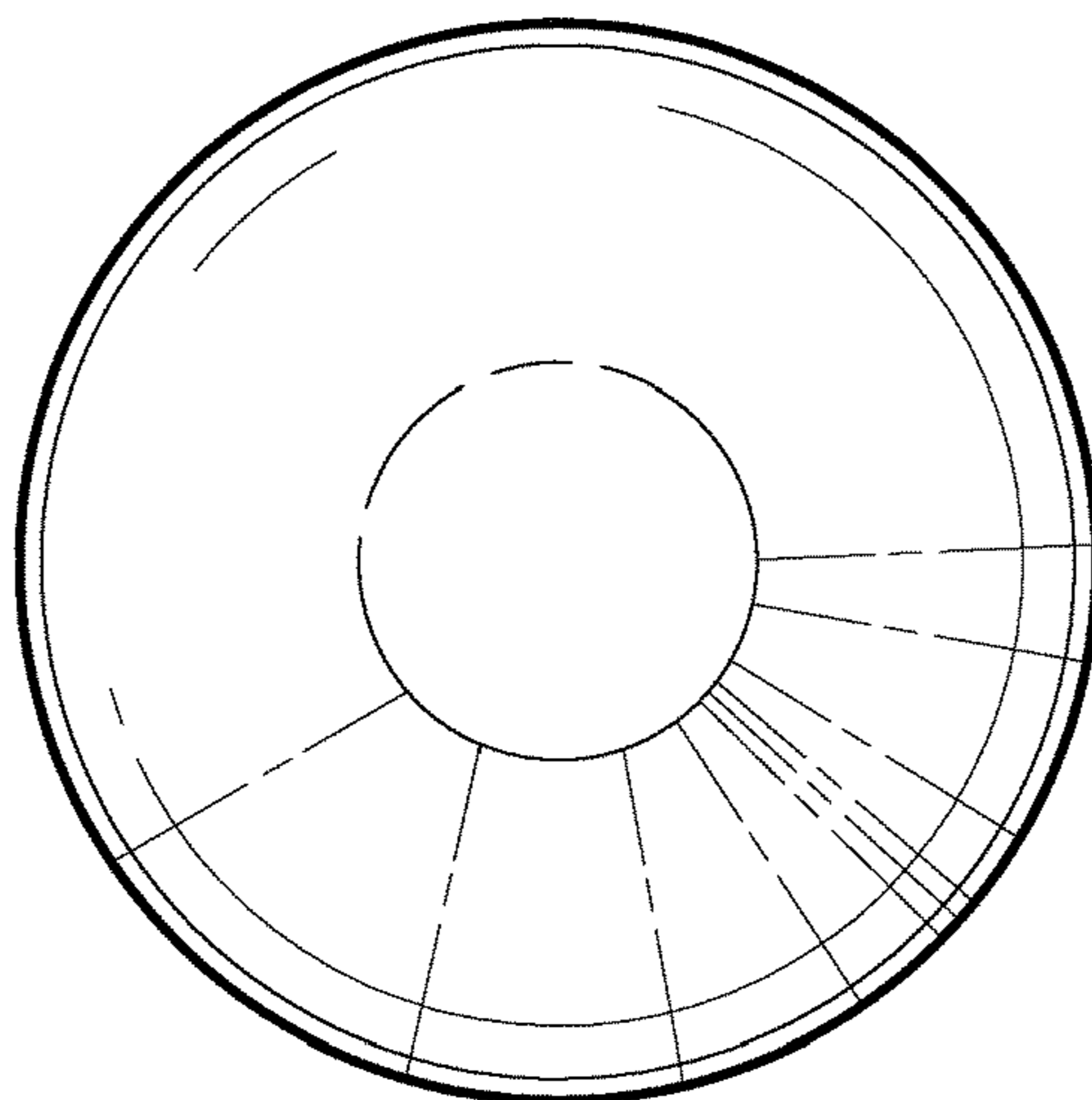


FIG. 6

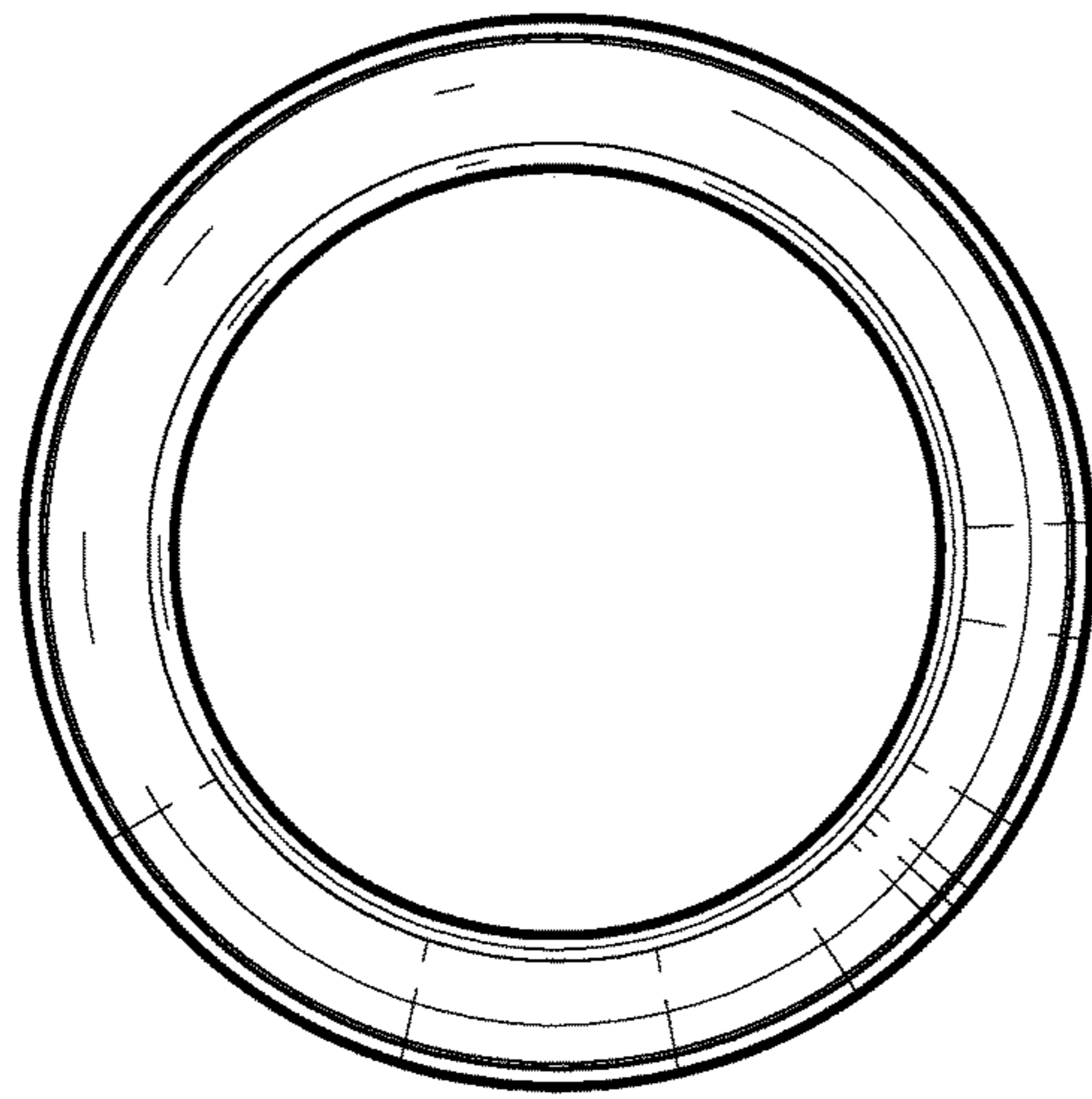


FIG. 7

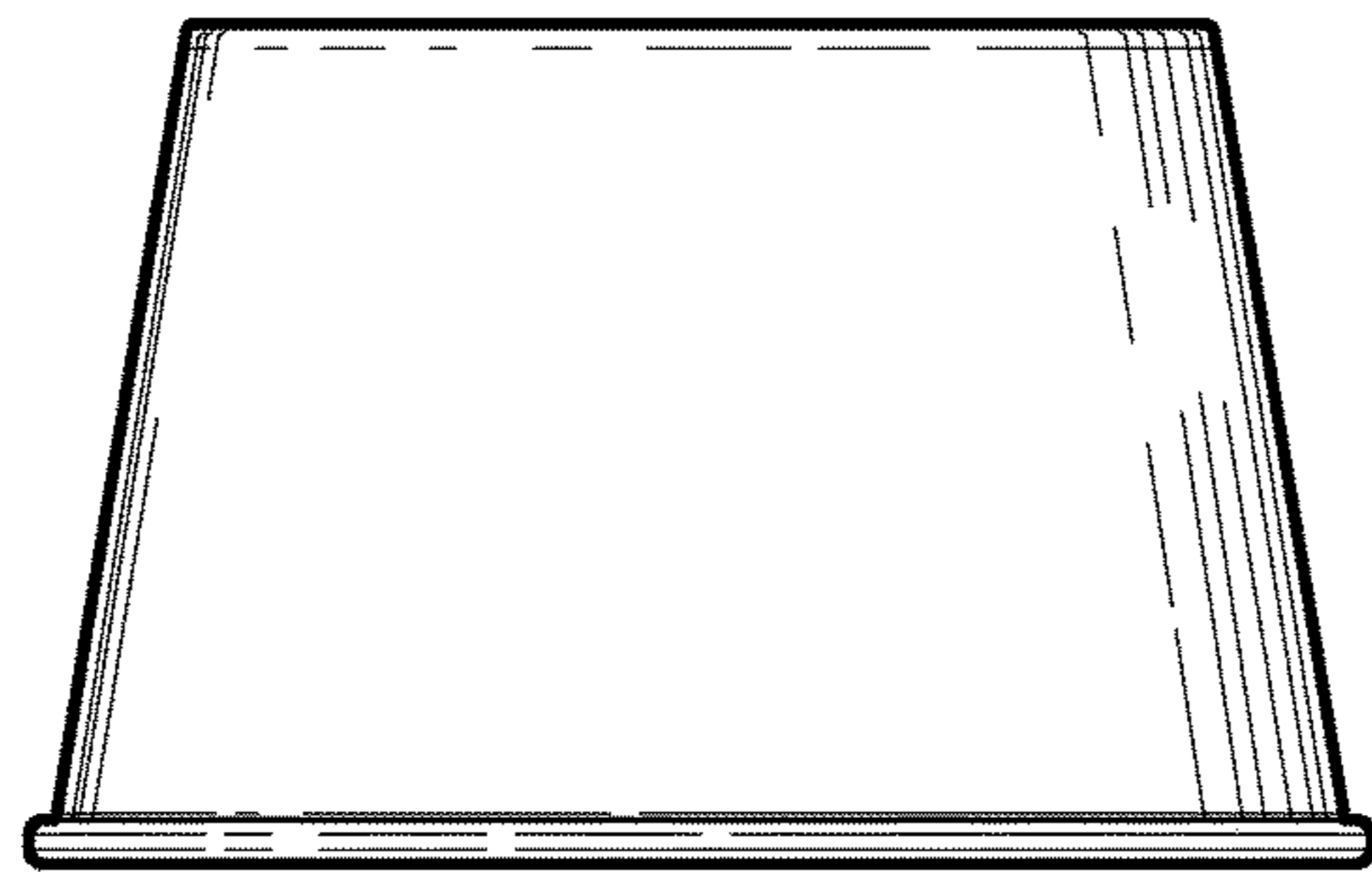


FIG. 8

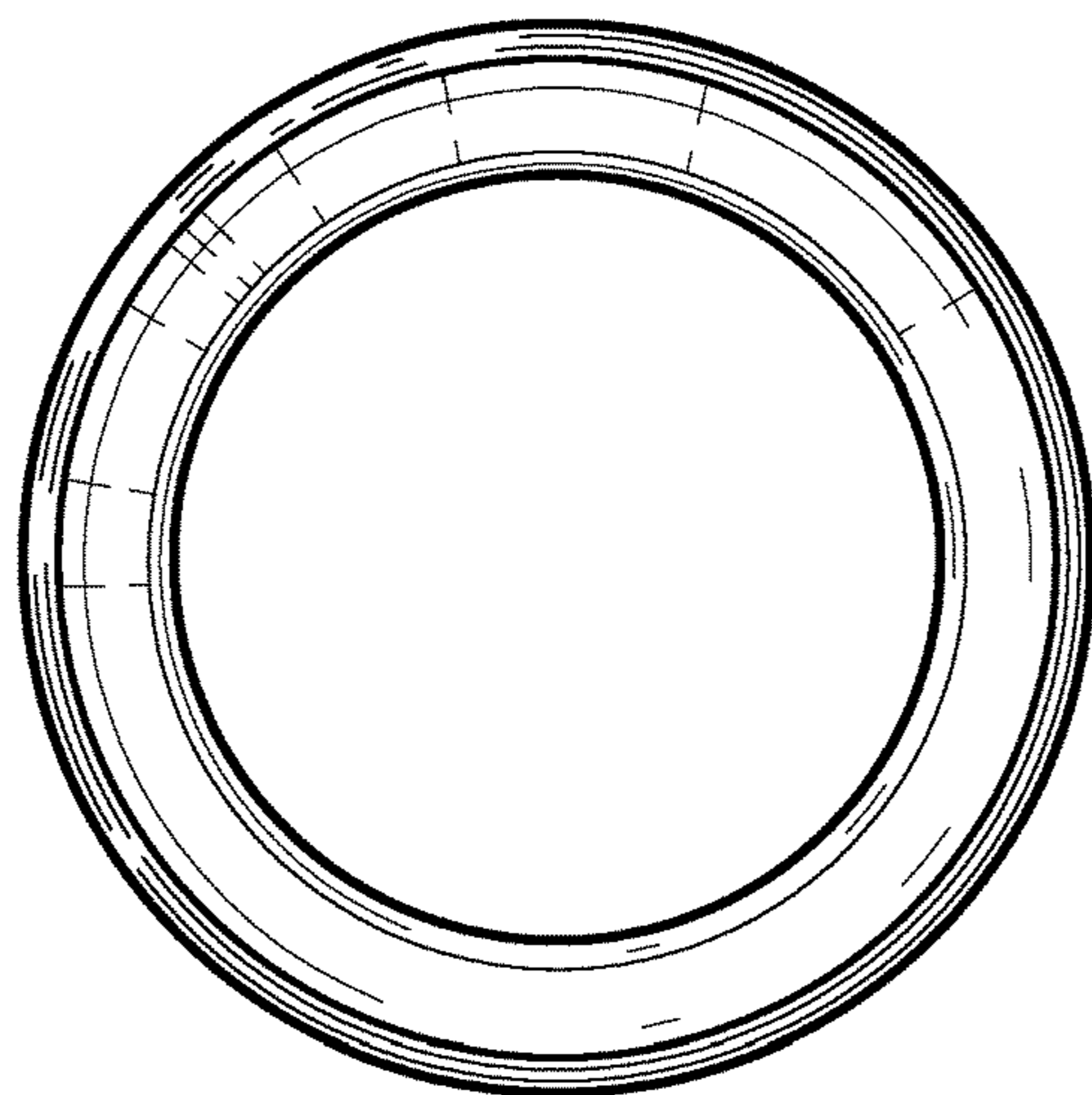


FIG. 9

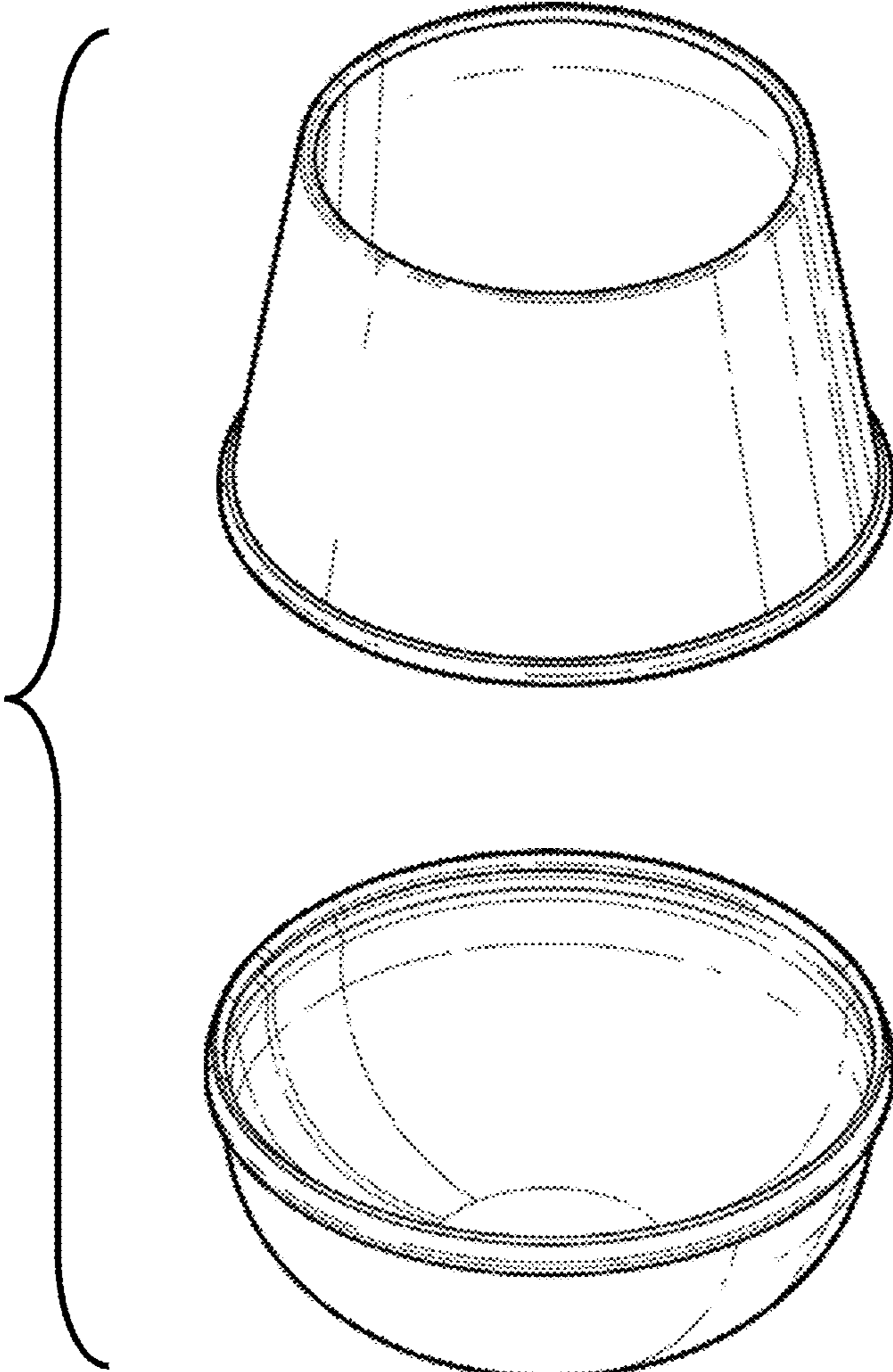


FIG. 10

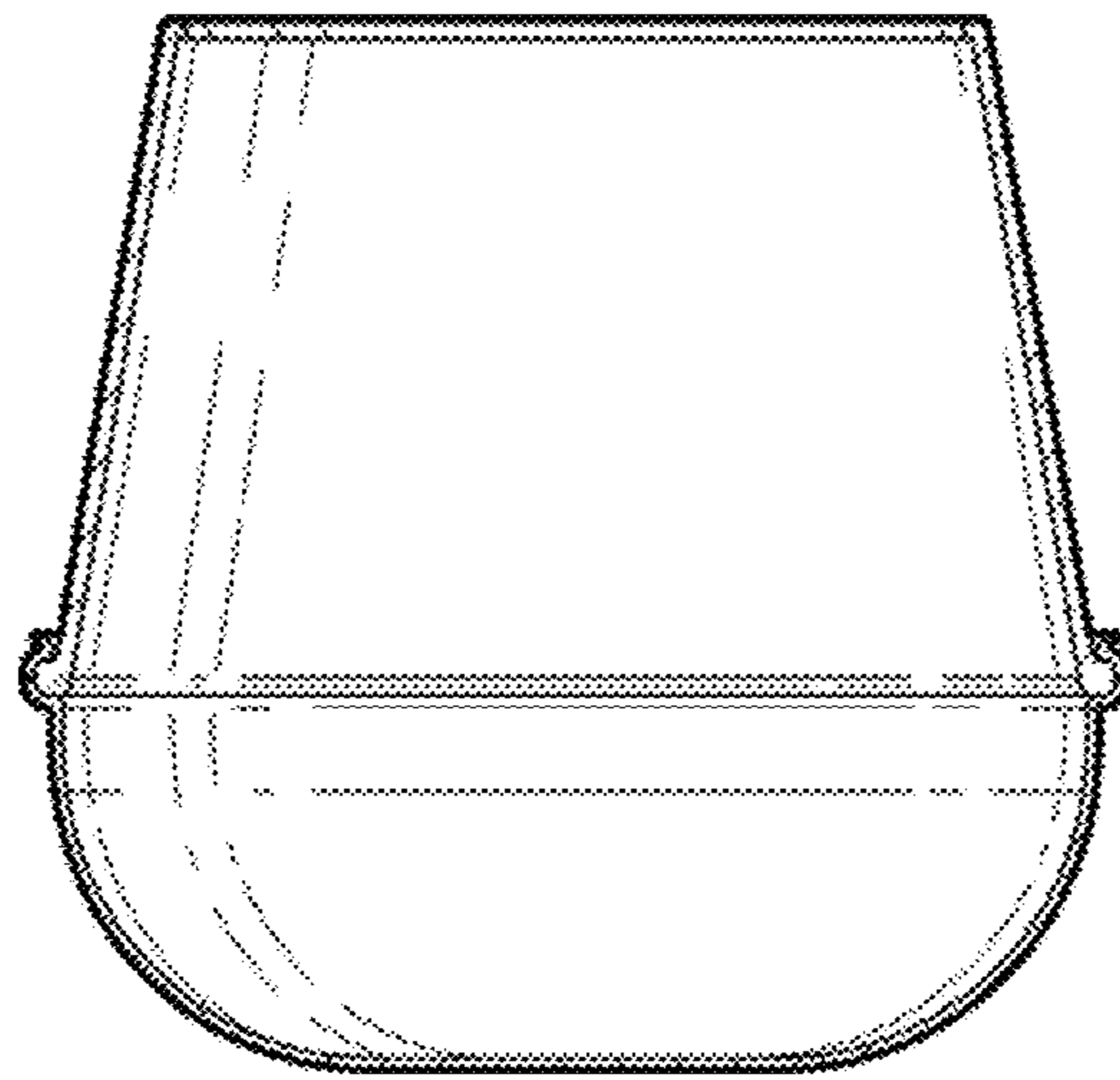


FIG. 11