



US00D824213S

(12) **United States Design Patent**
Abrell

(10) **Patent No.:** **US D824,213 S**
(45) **Date of Patent:** **** Jul. 31, 2018**

- (54) **CUP**
- (71) Applicant: **DrinkNow Corporation**, Valparaiso, IN (US)
- (72) Inventor: **Dan Abrell**, Valparaiso, IN (US)
- (73) Assignee: **DRINKNOW CORPORATION**, Valparaiso, IN (US)
- (**) Term: **15 Years**
- (21) Appl. No.: **29/596,167**
- (22) Filed: **Mar. 6, 2017**
- (51) **LOC (11) Cl.** **07-01**
- (52) **U.S. Cl.**
USPC **D7/507; D7/510; D7/511; D7/533**
- (58) **Field of Classification Search**
USPC D7/507, 509, 510, 511, 523, 533, 534, D7/535, 536, 608, 392.1, 396.2, 300.2; D8/107, 300; D24/197; D9/517, 532; 220/710.5, 592.16, 592.17
CPC D47G 19/22; B65D 1/265; A47G 19/2266; A47J 41/02; A45F 3/16
See application file for complete search history.

(56) **References Cited**

U.S. PATENT DOCUMENTS

- 4,015,945 A * 4/1977 Frankel A61B 17/8833 141/65
- 4,191,302 A * 3/1980 Fiducia A47G 19/2227 215/388
- 4,204,613 A 5/1980 Terzian et al.
- 4,407,356 A 10/1983 DeLau
- 4,494,600 A 1/1985 DeLau
- D279,250 S * 6/1985 Holloway D7/300.2
- 4,599,872 A 7/1986 Rist
- D293,291 S * 12/1987 Hansen D7/533
- 4,796,696 A 1/1989 Stocton et al.

- 5,031,831 A 7/1991 Williams, III
- 5,211,298 A * 5/1993 Bloch A47G 19/2266 215/11.1
- 5,358,241 A * 10/1994 Anghelo A63F 7/027 273/118 R
- 5,415,002 A 5/1995 Koenig
- 2,716,871 A 9/1995 Brown
- 5,503,296 A * 4/1996 DiBaggio B65D 77/283 206/459.5
- 6,547,103 B1 4/2003 Elliott
- D496,827 S * 10/2004 Bodum D7/533
- D497,080 S * 10/2004 Greenspon D7/510
- D530,852 S * 10/2006 Zheng D27/148
- 7,117,685 B2 10/2006 Wetherbee
- D540,979 S * 4/2007 Chen D27/148
- D542,077 S * 5/2007 Claypool D7/312
- D550,035 S * 9/2007 Tien D7/510
- D557,985 S * 12/2007 Arcangeli D7/509
- D613,134 S * 4/2010 McRorie, III G01F 19/002 D7/691
- D646,524 S * 10/2011 Kortleven D7/531
- 8,066,152 B2 11/2011 Tetreault et al.
- D655,967 S * 3/2012 Bodum D7/300.1

(Continued)

Primary Examiner — Marianne Pandozzi
Assistant Examiner — Jae Liang
(74) *Attorney, Agent, or Firm* — Husch Blackwell LLP

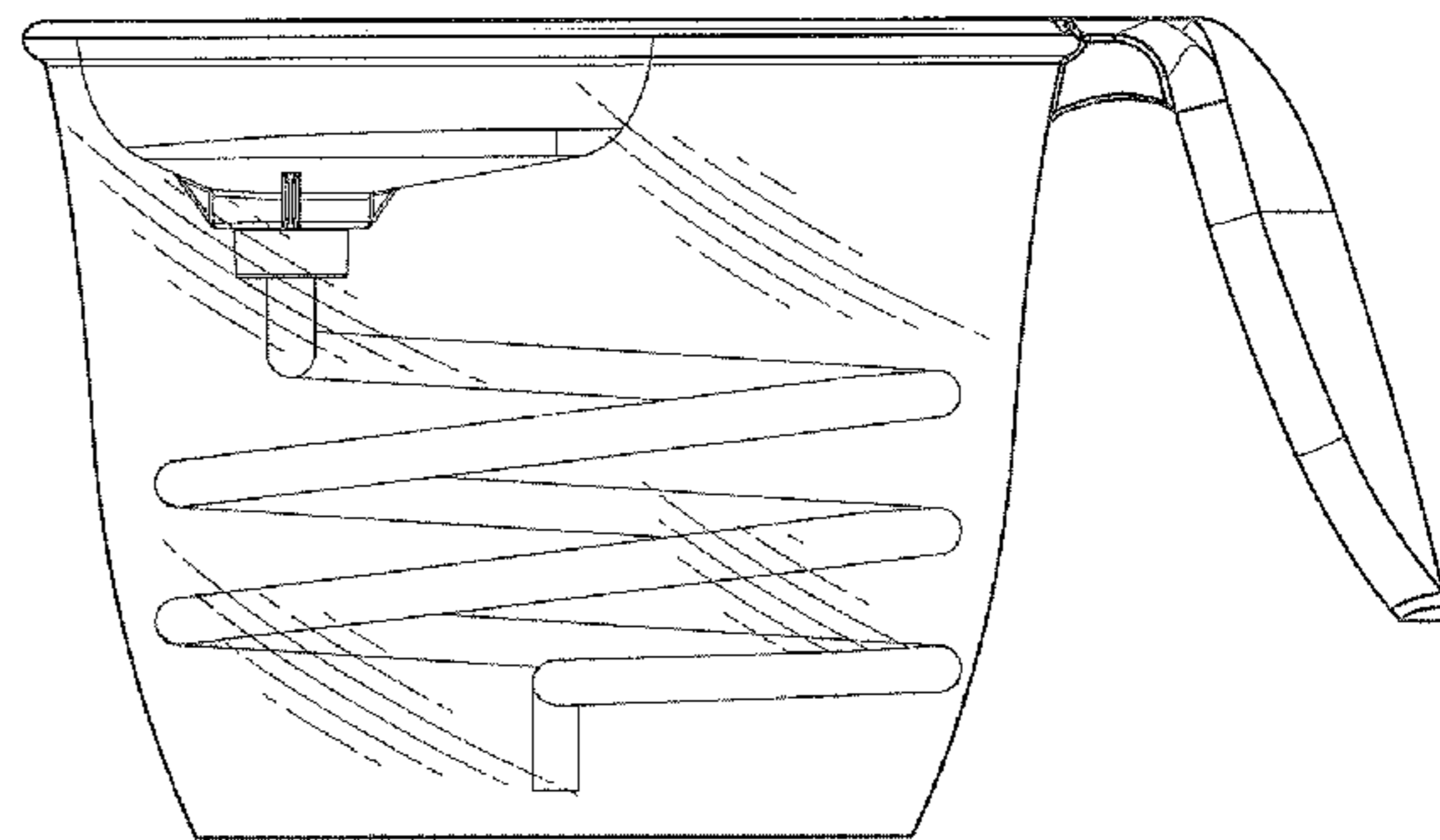
(57) **CLAIM**

The ornamental design for a cup, as shown and described.

DESCRIPTION

FIG. 1 is a perspective view of a cup showing my new design;
FIG. 2 is a left side view of the cup.
FIG. 3. is a right side view of the cup.
FIG. 4. is a rear view of the cup.
FIG. 5. is front view of the cup.
FIG. 6 is a bottom view of the cup; and,
FIG. 7 is a top view of the cup.

1 Claim, 4 Drawing Sheets



(56)

References Cited

U.S. PATENT DOCUMENTS

D673,426	S *	1/2013	Heiberg	D7/318
8,429,925	B2	4/2013	Marx		
D681,396	S *	5/2013	Krus	D7/318
8,640,748	B2	2/2014	Chera		
D702,475	S	4/2014	Dalton et al.		
D712,702	S *	9/2014	Stamper	D7/543
D737,619	S *	9/2015	Cornu	D7/316
D753,951	S *	4/2016	Cornu	D7/316
9,357,874	B2	6/2016	Licare		
D760,544	S *	7/2016	Anzalone	D21/322
D812,984	S *	3/2018	Seiders	D7/622
2010/0084370	A1 *	4/2010	Ranzoni	A47J 45/061
					215/398
2012/0002501	A1 *	1/2012	Ulstad	A47J 43/0465
					366/205

* cited by examiner

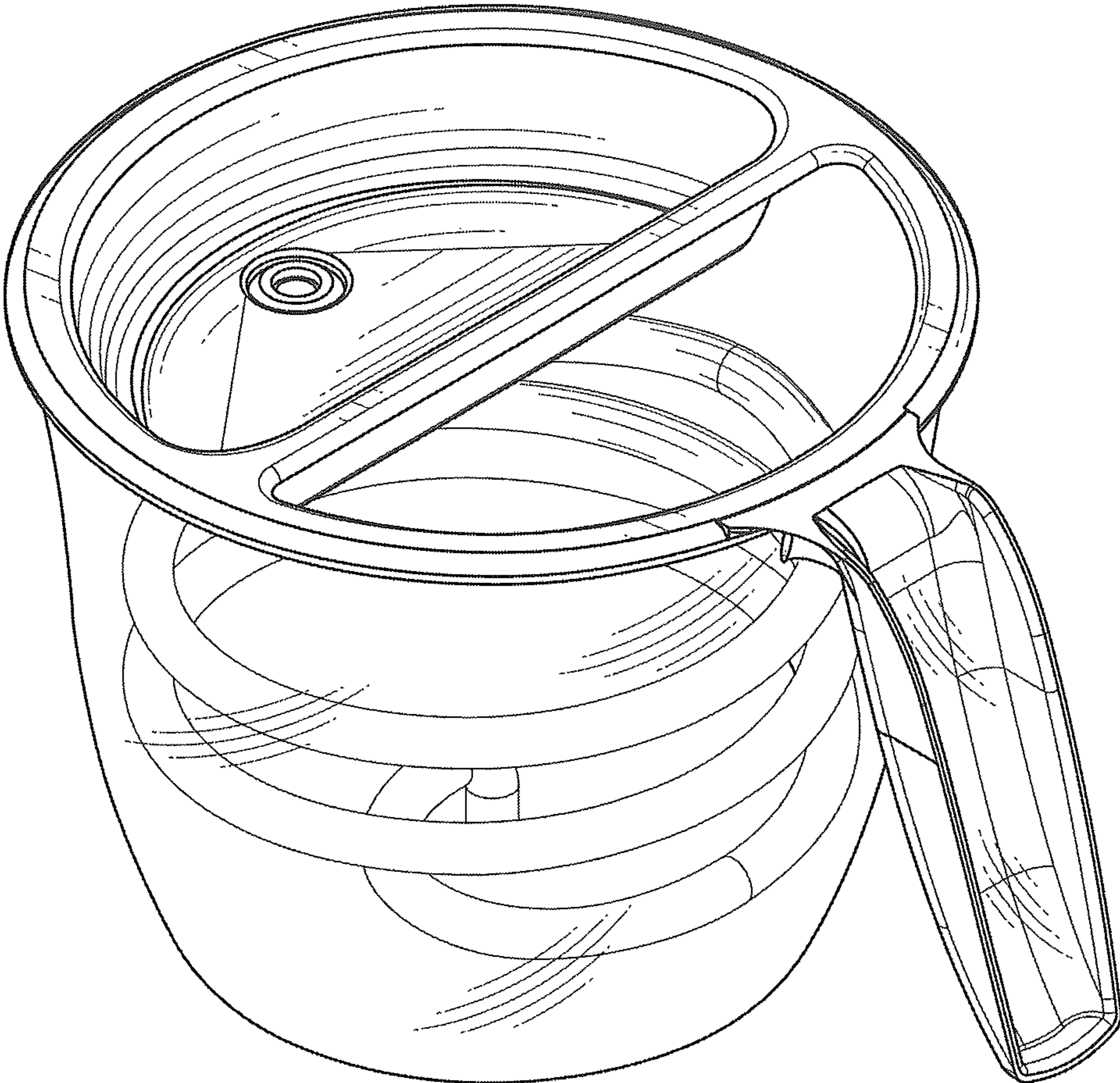


FIG. 1

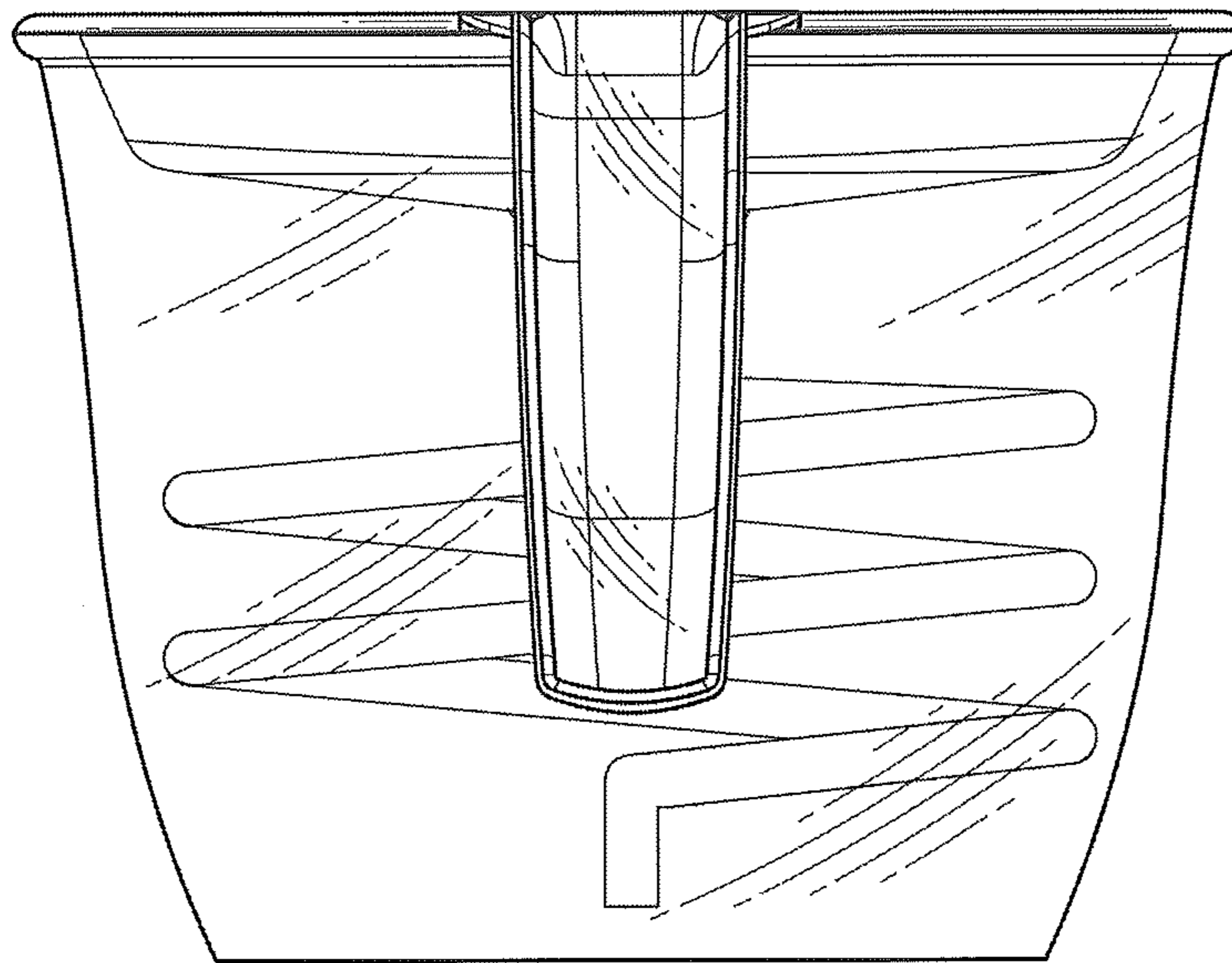


FIG. 2

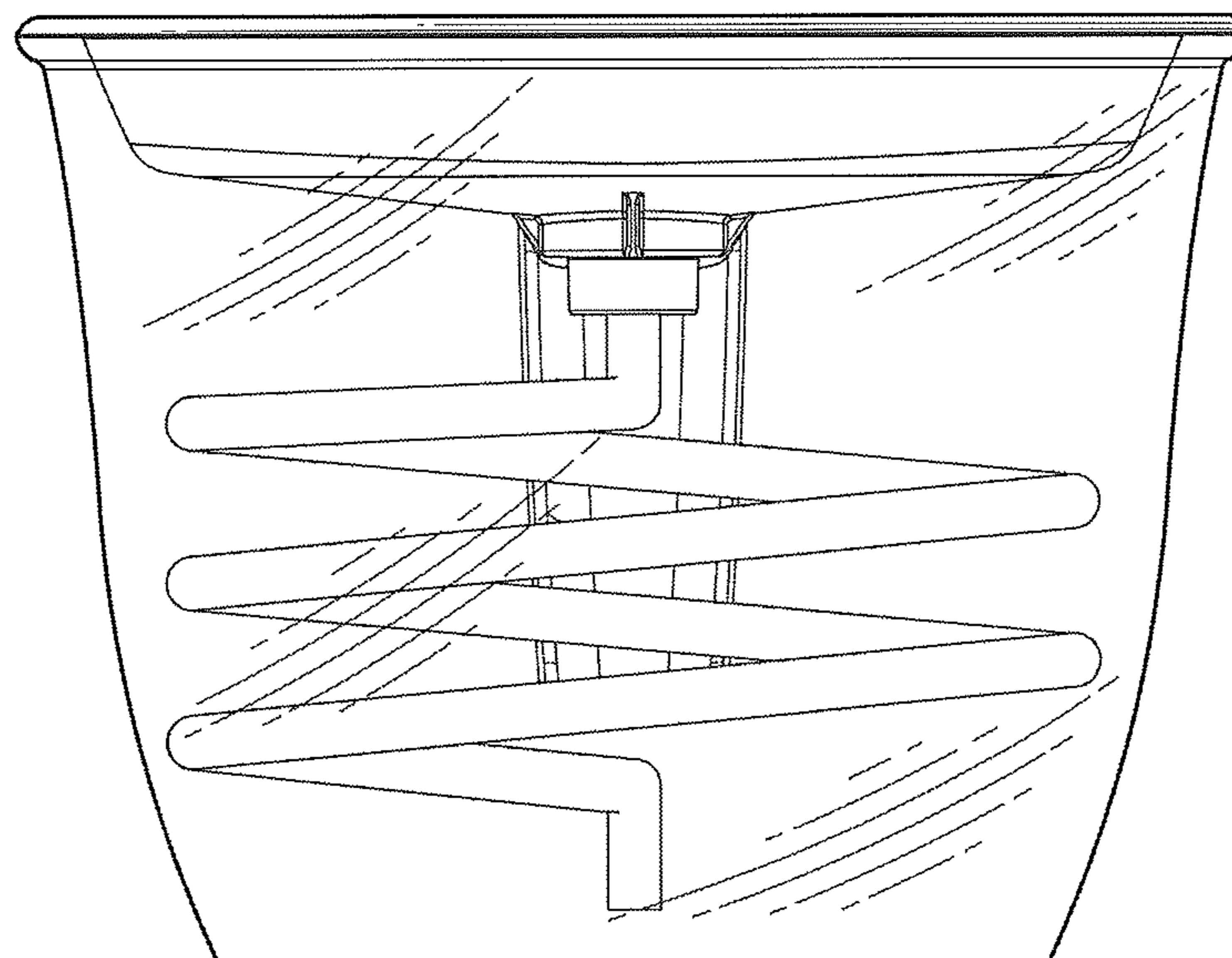


FIG. 3

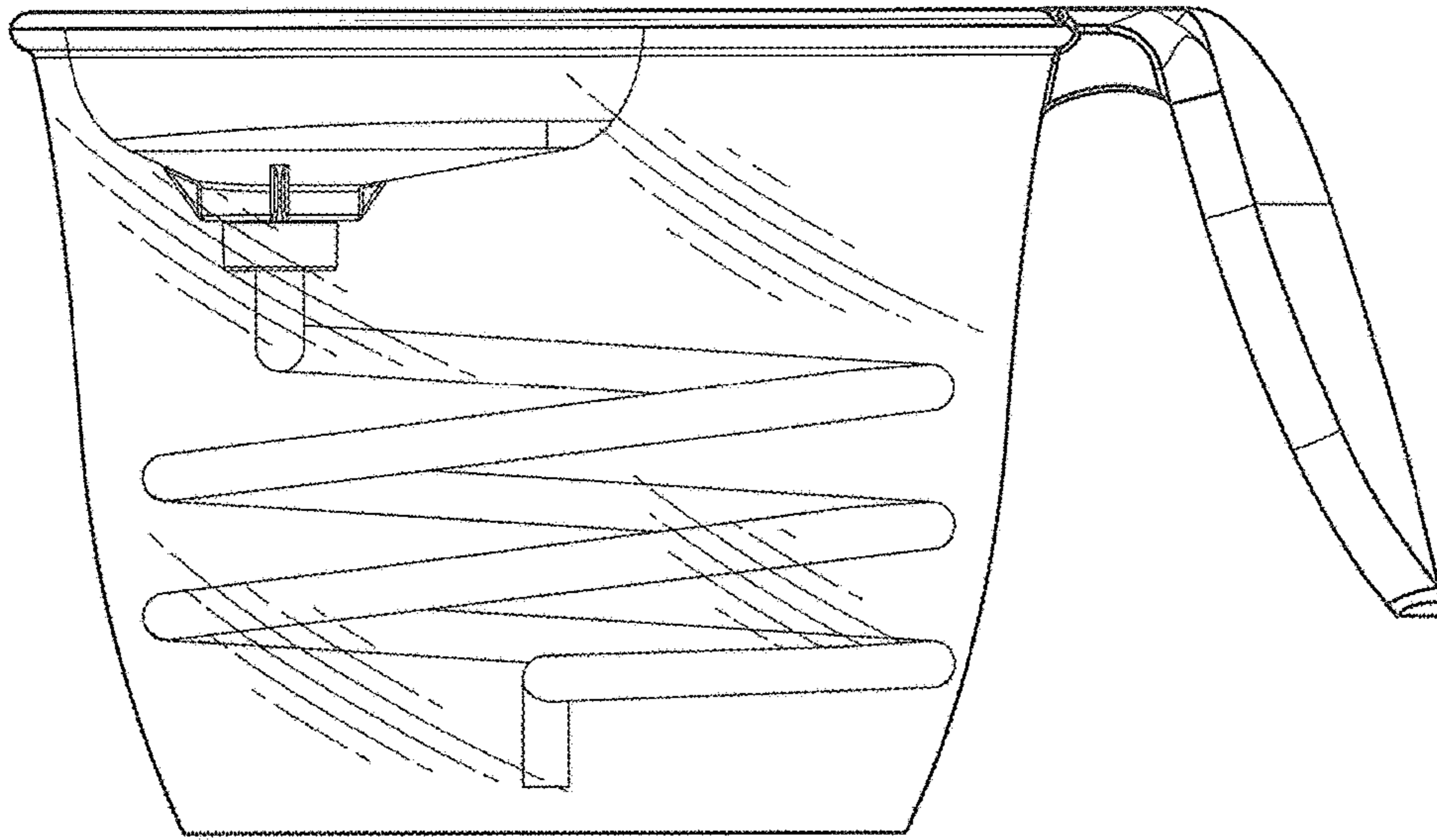


FIG. 4

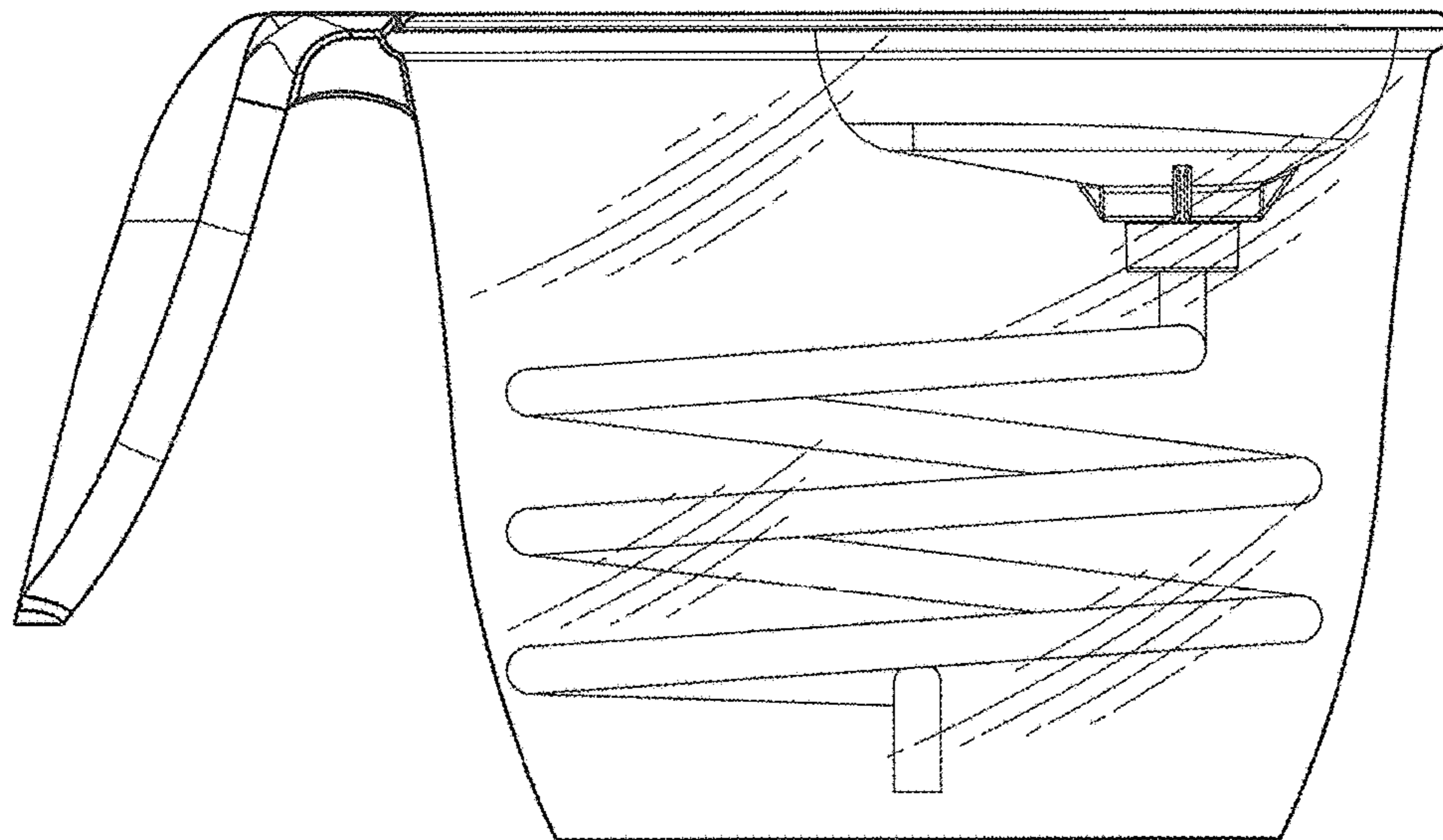


FIG. 5

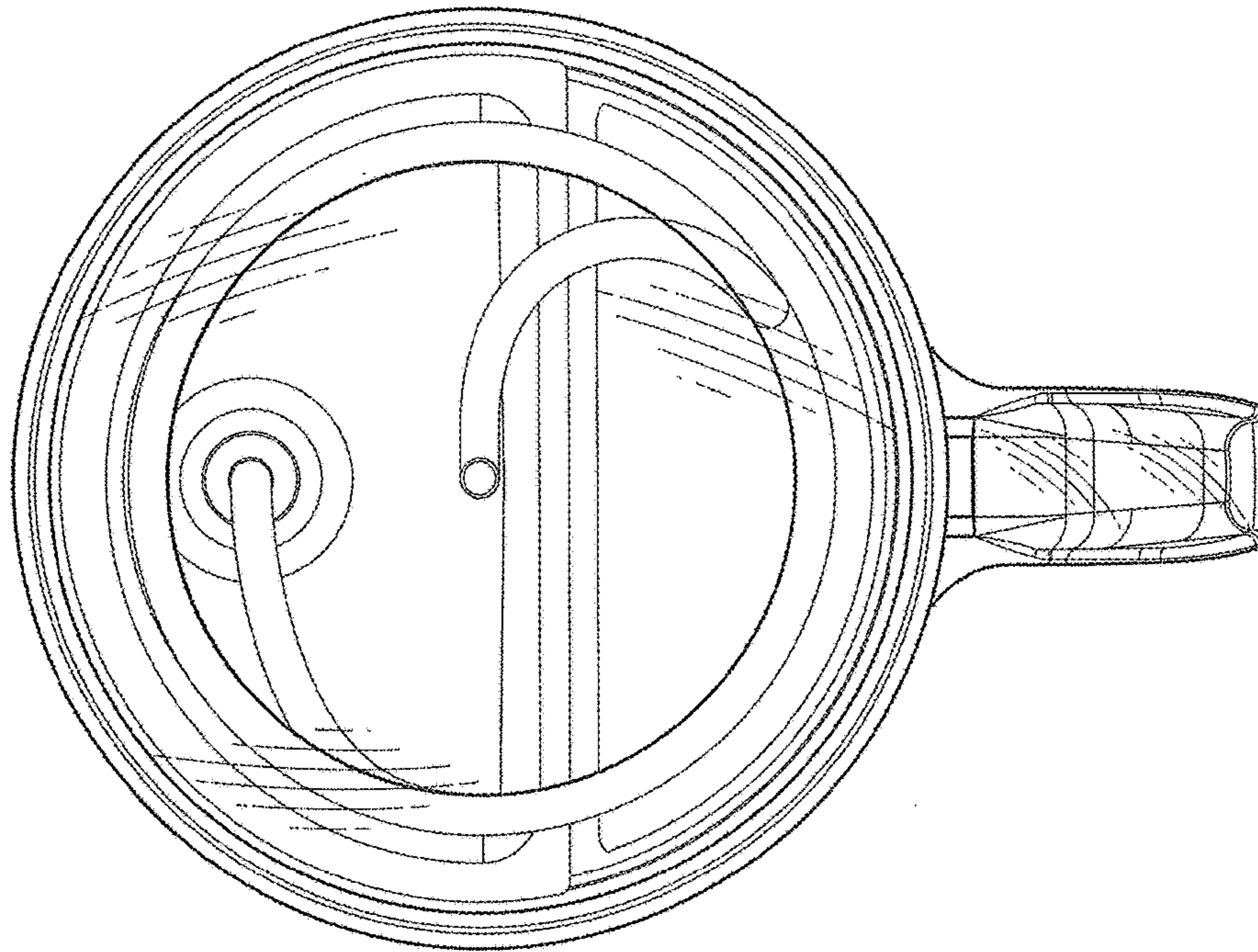


FIG. 7

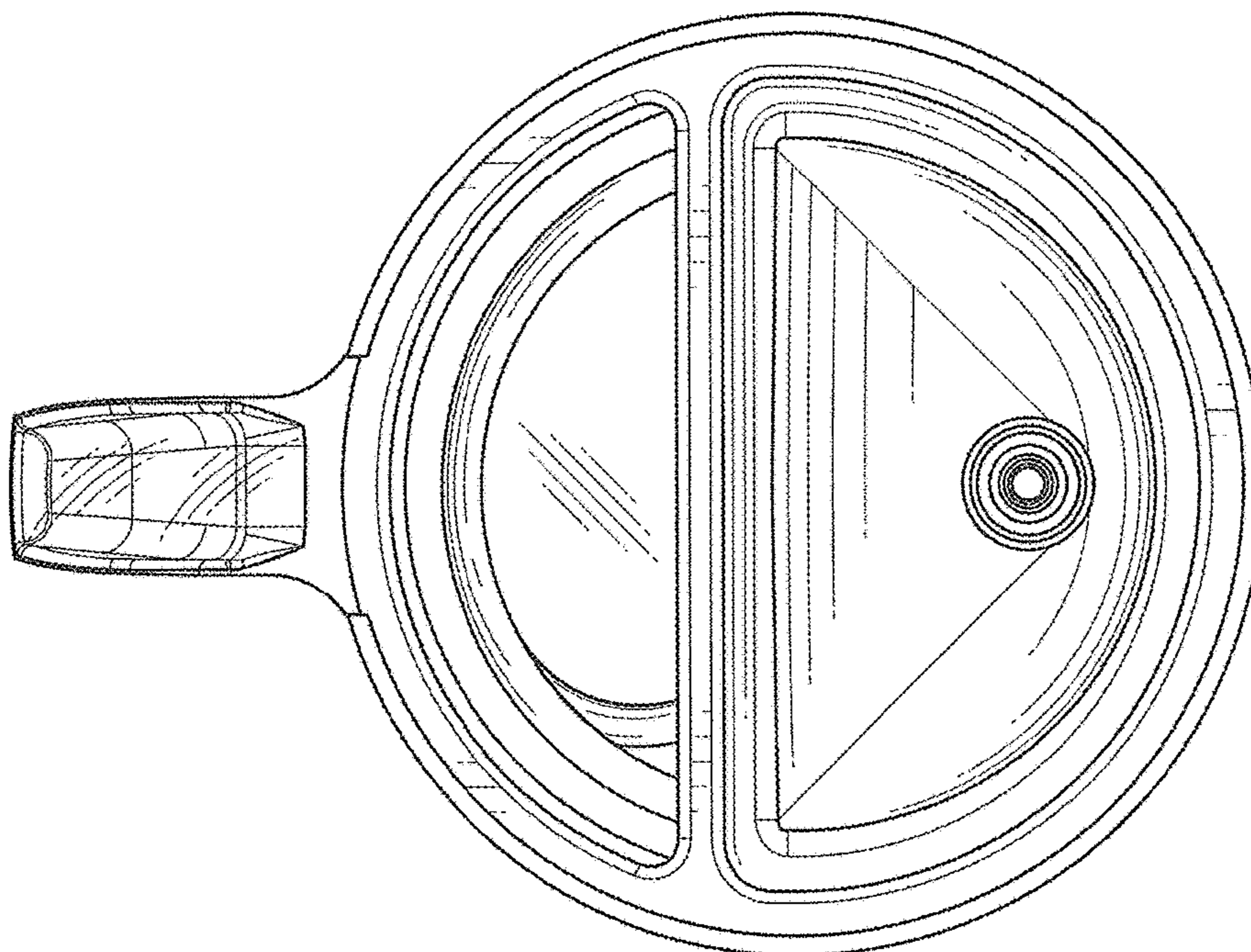


FIG. 6