



US00D824212S

(12) **United States Design Patent**
Seiders et al.

(10) **Patent No.:** **US D824,212 S**
(45) **Date of Patent:** **** Jul. 31, 2018**

(54) **LID**

(71) Applicant: **YETI Coolers, LLC**, Austin, TX (US)

(72) Inventors: **Roy Joseph Seiders**, Austin, TX (US);
Steve Charles Nichols, Austin, TX (US)

(73) Assignee: **YETI Coolers, LLC**, Austin, TX (US)

(**) Term: **15 Years**

(21) Appl. No.: **29/580,345**

(22) Filed: **Oct. 7, 2016**

(51) **LOC (11) Cl.** **07-01**

(52) **U.S. Cl.**
USPC **D7/396.2**; D9/449

(58) **Field of Classification Search**
USPC D3/202, 318, 298; D7/213, 300, 300.1,
D7/312-314, 316-319, 321, 322, 387,
D7/392, 392.1, 396.2, 396.3, 397, 398,
D7/510, 533, 394, 511; D9/434-436,
D9/440, 443, 447, 499, 454, 448-450
CPC B65D 17/00; B65D 17/166; B65D 47/286;
B65D 51/007; B65D 51/1672
See application file for complete search history.

(56) **References Cited**

U.S. PATENT DOCUMENTS

D109,789 S *	5/1938	Pershall	D7/392
D112,150 S *	11/1938	Pershall	D7/392
D114,536 S *	5/1939	Hacmac	D7/392
D121,154 S *	6/1940	Bernhardt	D7/392
2,304,214 A *	12/1942	Straub	B65D 47/286 220/254.9
D177,559 S	5/1956	Emmert		
D209,308 S	11/1967	Schilling		
D217,781 S	6/1970	Stone		
D229,006 S	11/1973	Sauey		

(Continued)

FOREIGN PATENT DOCUMENTS

AU 2011211425 A1 9/2011
CN 301355584 9/2010

(Continued)

OTHER PUBLICATIONS

Dick's Sporting Goods. YETI 10/20 oz. Rambler MagSlider Lid. Jun. 2017 [earliest online date], [site visited Oct. 26, 2017]. Available from Internet, <URL: <https://www.dickssportinggoods.com/p/yeti-10-20-ozrambler-magslider-lid-17yeta1020mgslodr/17yeta1020mgslodr>>. (Year: 2017).*

(Continued)

Primary Examiner — Robert M. Spear

Assistant Examiner — Darcey E Heflin

(74) *Attorney, Agent, or Firm* — Banner & Witcoff, Ltd.

(57) **CLAIM**

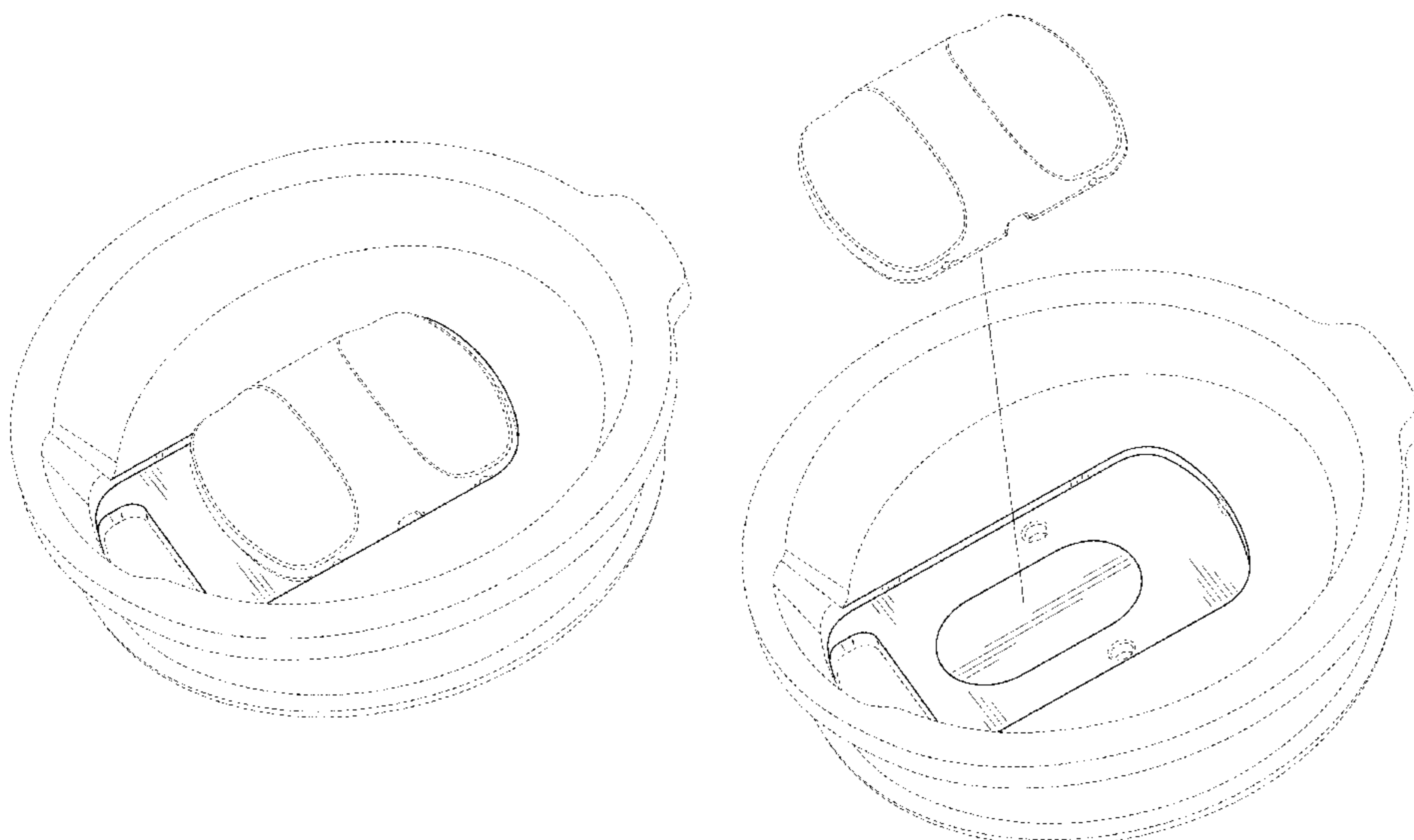
The ornamental design for a lid, as shown and described.

DESCRIPTION

FIG. 1 is a top, front, right perspective view of a lid showing our new design in an open position;
FIG. 2 is a front view thereof;
FIG. 3 is a rear view thereof;
FIG. 4 is a right side view thereof;
FIG. 5 is a left side view thereof;
FIG. 6 is a top view thereof;
FIG. 7 is a bottom view thereof; and,
FIG. 8 is an exploded view of the perspective view shown in FIG. 1 providing an alternate configuration thereof for clarity of disclosure.

The broken lines immediately adjacent to the shaded area represent unclaimed boundaries of the design. The broken lines showing the remainder of the lid are for environmental purposes only and form no part of the claimed design.

1 Claim, 6 Drawing Sheets



(56)

References Cited

U.S. PATENT DOCUMENTS

3,938,690 A	2/1976	Butler	D550,032 S	9/2007	Tien
4,057,167 A	11/1977	Lee	D550,503 S	9/2007	Liu
4,570,817 A	2/1986	Hambleton et al.	D553,440 S	10/2007	Bodum
D285,032 S	8/1986	Alonzo	7,275,653 B2	10/2007	Tedford, Jr.
D288,667 S *	3/1987	Miner D9/440	D554,431 S	11/2007	Tien
D289,484 S	4/1987	Forquer et al.	D558,523 S	1/2008	Bhavnani
D307,743 S	5/1990	Pierce et al.	D565,901 S	4/2008	Edelstein et al.
D314,708 S *	2/1991	DeCoster D9/435	D568,107 S	5/2008	Bhavnani
D379,738 S	6/1997	Liming et al.	D569,182 S	5/2008	Homma
D384,646 S *	10/1997	Miller D13/170	D569,183 S	5/2008	Blake
D412,806 S	8/1999	Pierce	D571,152 S	6/2008	Tien
D416,755 S	11/1999	Trombly	D571,154 S	6/2008	Pearson
D416,757 S	11/1999	Ginuntoli	D572,083 S	7/2008	Tien
5,984,156 A	11/1999	Bridges	D572,473 S	7/2008	Tuttle
D417,589 S	12/1999	Parker	D572,474 S	7/2008	Tuttle
D417,819 S	12/1999	Kelly-Pollet	D572,475 S	7/2008	Tuttle
D425,374 S	5/2000	Besser et al.	D573,839 S	7/2008	Sun
D433,876 S	11/2000	Freed	D577,260 S	9/2008	Bodum
D436,295 S	1/2001	Furman et al.	D582,206 S	12/2008	Fuller
D446,687 S	8/2001	Furman et al.	D583,191 S	12/2008	Wong
D448,620 S	10/2001	Neal	D584,102 S	1/2009	Valderrama et al.
D449,963 S	11/2001	Neal	D584,106 S *	1/2009	Wong D7/396.2
D455,610 S	4/2002	Bridges	D586,182 S	2/2009	Trombly
D456,212 S	4/2002	Bridges	D589,747 S	4/2009	Wong
D457,389 S	5/2002	Snell	D589,751 S	4/2009	Liu et al.
D457,395 S	5/2002	Gluck	D591,103 S	4/2009	Wong
D458,081 S	6/2002	Bodum	7,513,380 B2	4/2009	Canedo
D458,082 S	6/2002	Gluck	D591,556 S	5/2009	Fuller
RE37,773 E	7/2002	Trombly	D593,802 S	6/2009	Baek
D461,679 S	8/2002	Robinson et al.	D600,073 S	9/2009	Carreno
D462,575 S	9/2002	Gluck	7,591,389 B2	9/2009	Wong
D463,715 S	10/2002	Dretzka	D604,102 S	11/2009	Pearson
D466,371 S	12/2002	Parker	7,611,029 B2	11/2009	Wong
D471,763 S	3/2003	Hurlbut et al.	D609,526 S	2/2010	Tuttle
D472,101 S	3/2003	Janky	D613,554 S	4/2010	Koennecke
D475,891 S	6/2003	Bin	D615,358 S	5/2010	Wahl
D476,193 S	6/2003	Janky	D618,050 S	6/2010	Eisenhardt
D477,185 S	7/2003	Janky	D618,964 S	7/2010	Eisenhardt
D477,532 S	7/2003	Wong	D621,659 S	8/2010	Liu
6,626,326 B2	9/2003	Murakami	D622,548 S	8/2010	Jensen et al.
D481,590 S	11/2003	Lin	D625,951 S	10/2010	Baek
D481,591 S	11/2003	Lin	D629,653 S	12/2010	Gullickson et al.
D482,238 S	11/2003	Lin	7,845,510 B2	12/2010	Schmidtner et al.
D483,165 S	12/2003	Dretzka	7,850,037 B2	12/2010	Schmidtner et al.
D483,995 S	12/2003	Otake	D631,284 S	1/2011	Fuller
D486,996 S	2/2004	Karp	7,874,447 B2	1/2011	Schmidtner et al.
D488,672 S	4/2004	Oas	D631,699 S	2/2011	Moreau
D490,274 S	5/2004	Irvine	D647,760 S	11/2011	Pearson
6,752,287 B1	6/2004	Lin	D648,599 S	11/2011	Watanabe et al.
D493,068 S	7/2004	Slater et al.	D651,045 S	12/2011	Eyal
D498,979 S	11/2004	Bhavnani	D652,248 S	1/2012	Valderrama et al.
6,824,003 B1	11/2004	Wong	D659,474 S	5/2012	Wahl et al.
D511,653 S	11/2005	Oas	D660,082 S	5/2012	Wahl
D515,358 S	2/2006	Orr et al.	D664,001 S	7/2012	Liu
D522,855 S	6/2006	Liebe et al.	8,215,519 B2	7/2012	Steininger
D523,692 S	6/2006	Meehan	D666,052 S	8/2012	Trombly
D530,153 S	10/2006	Karp	D667,268 S	9/2012	Pallotto
D531,033 S	10/2006	Schmidtner et al.	D667,272 S	9/2012	Fishman et al.
D531,451 S	11/2006	Bin	D669,306 S	10/2012	Barreto et al.
D533,402 S	12/2006	Bin	D669,310 S	10/2012	Barreto et al.
D533,747 S	12/2006	Jin	D669,735 S	10/2012	Wong
D533,748 S	12/2006	Bresler	D675,063 S	1/2013	Wahl
D533,779 S	12/2006	Schmidtner et al.	D677,122 S	3/2013	Liu
D534,069 S *	12/2006	Ohno D3/298	8,397,934 B2	3/2013	Lai
D534,396 S	1/2007	Kramer	8,397,940 B2	3/2013	Steininger
D536,213 S	2/2007	Schuler et al.	8,403,166 B2	3/2013	Steininger
D536,214 S	2/2007	Schuler et al.	D693,176 S	11/2013	Kaiser
D537,677 S	3/2007	Bresler	D696,586 S	12/2013	Huang
D539,609 S	4/2007	Ying et al.	D698,200 S	1/2014	Lauwagie
D541,105 S	4/2007	Jin	8,640,904 B2	2/2014	Steininger et al.
D545,128 S	6/2007	Liu et al.	D704,986 S *	5/2014	Manies D7/392
D545,129 S	6/2007	Tien	D711,280 S	8/2014	Tannenbaum
D548,012 S	8/2007	Tien	D712,701 S	9/2014	Boroski
D548,522 S	8/2007	Greenspon	D713,202 S	9/2014	Lin
D548,523 S	8/2007	Greenspon	D713,686 S	9/2014	Eyal
			D715,100 S	10/2014	Eyal
			D717,103 S *	11/2014	Wilbur D7/392.1
			D717,605 S	11/2014	Kristinik
			D717,606 S	11/2014	Kristinik

(56)

References Cited

U.S. PATENT DOCUMENTS

D718,087 S 11/2014 Marasligiller et al.
 D720,183 S 12/2014 Chiang
 8,919,593 B2 12/2014 Sinacori et al.
 8,925,756 B2 1/2015 Tarapata et al.
 D725,970 S 4/2015 Karussi et al.
 D728,313 S 5/2015 Bo
 D729,581 S 5/2015 Boroski
 9,022,239 B2 5/2015 Mackenzie et al.
 D731,251 S 6/2015 Lane
 D732,338 S 6/2015 Boroski
 D732,343 S 6/2015 Romley
 D732,895 S 6/2015 McClellan
 D734,092 S 7/2015 Kristinik
 D736,564 S 8/2015 Thornton et al.
 D742,173 S 11/2015 Perman
 D743,209 S 11/2015 Maas et al.
 D744,280 S * 12/2015 Chiang D7/510
 D744,286 S 12/2015 Morris, II et al.
 D751,338 S 3/2016 Seiders et al.
 D751,339 S 3/2016 Seiders et al.
 D751,340 S 3/2016 Seiders et al.
 D751,341 S 3/2016 Seiders et al.
 D758,792 S 6/2016 Karussi
 D761,619 S 7/2016 Seiders et al.
 D790,272 S * 6/2017 Han D7/396.2
 D790,913 S * 7/2017 Stover D7/396.2
 D796,256 S * 9/2017 Stover D7/396.2
 D798,716 S * 10/2017 Fitchell D9/449
 2005/0121015 A1 6/2005 Postorivo
 2007/0272650 A1 11/2007 Kishi et al.
 2008/0006643 A1 1/2008 Ma
 2008/0073343 A1 3/2008 Shadrach et al.
 2008/0073347 A1 3/2008 Shadrach
 2008/0087264 A1 4/2008 Postorivo
 2010/0200590 A1 8/2010 Shadrach, III et al.
 2010/0206874 A1 8/2010 Masurier et al.
 2010/0251119 A1 9/2010 Geppert et al.
 2011/0079601 A1 4/2011 Steininger
 2012/0080429 A1 4/2012 Steininger
 2012/0080456 A1 4/2012 Steininger
 2012/0205371 A1 8/2012 Lee
 2012/0305558 A1 12/2012 Steininger
 2012/0305559 A1 12/2012 Steininger
 2012/0305563 A1 12/2012 Steininger
 2012/0312816 A1 12/2012 Barreto et al.
 2013/0140316 A1 6/2013 Flowers et al.
 2013/0213978 A1 8/2013 Libourel et al.
 2013/0320013 A1 12/2013 Bratsch
 2015/0102032 A1 4/2015 Dunn et al.
 2015/0102046 A1 4/2015 Steininger
 2016/0272384 A1 9/2016 Lee et al.
 2017/0121073 A1* 5/2017 Seiders B65D 51/18
 2017/0121074 A1* 5/2017 Seiders A47G 19/2272
 2017/0225855 A1 8/2017 Lawson et al.

FOREIGN PATENT DOCUMENTS

CN 302770712 3/2014
 CN 302823399 5/2014
 CN 302846547 6/2014
 CN 303176496 4/2015
 CN 303652430 11/2015
 CN 303589339 2/2016
 CN 303883775 10/2016
 EM 002775078-0001 11/2015
 JP D1507225 9/2014
 WO 2007087185 A2 8/2007
 WO 2008021523 A2 2/2008
 WO 2008121942 A2 10/2008

WO 2012031994 A1 3/2012
 WO 2012107861 A2 8/2012

OTHER PUBLICATIONS

Pictures of Great American Products Tumbler, published date unknown, but prior to the filing date of the present application.
 Photographic image of YETI 30oz Rambler Tumbler, published date unknown, but prior to the filing date of the present application.
 Second photographic image of YETI 30oz Rambler Tumbler, published date unknown, but prior to the filing date of the present application.
 Promotional Items, Inc., “Stainless Steel 14oz. Deluxe Coffee Insulated Tumbler Lid”, retrieved from <http://www.promotional-items-inc.com/catalog/stainless_steel_18oz_commuter_coffee_mug_lid.html> on Aug. 27, 2015.
 The Product Farm, “BeerNStein Rocks Tumbler Lid—Blue”, retrieved from <<http://store.theproductfarm.com/beerstein-rocks-tumbler-lid-blue/>> on Aug. 27, 2015.
 Hit Promotional Products, “24 Oz. Biggie Tumbler with Lid”, retrieved from <<http://www.hitpromo.net/product/show/5853/24-oz-biggie-tumbler-with-lid>> on Aug. 27, 2015.
 The Alexon Group, “16 Oz. Stainless Steel Travel Mug with Slide Action Lid and Plastic Inner Liner”, retrieved from <<https://alexongroup.com/16-oz-stainless-steel-travel-mug-with-slide-action-lid-and-plastic-inner-liner>> on Aug. 27, 2015.
 “New 16oz Insulated Coffee Travel Mug Stainless Steel Double Wall Thermos Tumbler”, retrieved from <<http://www.ebay.com/itm/New-16oz-Insulated-COFFEE-TRAVEL-MUG-Stainless-Steel-Double-Wall-Thermos-Tumbler-/171416296921>> on Aug. 27, 2015.
 “Stainless Steel Travel Mug with Slide Action Lid and Plastic Inner Liner—16oz.”, retrieved from <<http://waterbottles.com/stainless-steel-travel-mug-with-slide-action-lid-and-plastic-inner-liner-16-oz>> on Aug. 27, 2015.
 Vat19, “16 oz. Dual Auto/USB Heated Mug”, retrieved from <<https://www.vat19.com/item/16-oz-dual-auto-usb-heater-coffee-mug>> on Aug. 27, 2015.
 Timolino, “Signature Thermal Travel Mug Slide—Tab Lid”, retrieved from <<http://timolino.com/products/signature-thermal-travel-mug-slide-tab-lid>> on Aug. 27, 2015.
 Eshine Industrial & Maoyuan International, “400ml Double Wall Stainless Steel Travel Mug with Sliding Drink Lid”, retrieved from <<http://www.chinawaterbottle.com/product/400ml-double-wall-stainless-steel-travel-mug-with-sliding-drink-lid-77-520.html>> on Aug. 27, 2015.
 Photo USA Electronic Graphic Inc., “17fl oz Personalised Travel Mug (Plastic Insert and Metal Shell, Reverse Screw)”, retrieved from <<http://www.meikeda.com/stainless-steel-mug/item/15-oz-personalised-travel-mug.html>> on Aug. 27, 2015.
 Promo Industrial Co., Limited, “16 Oz. Blue Bullet Travel Mug W/ Handle”, retrieved from <http://www.oemproma.com/Bottle-cup-and-mug/Mugs/index_73.htm> on Aug. 27, 2015.
 Gold Bond Inc., “16CT—16 oz Cafe Tumbler”, retrieved from <<http://www.goldbondinc.com/16ct>> on Aug. 27, 2015.
 “Tervis Lids”, retrieved from <http://www.tervis.com/designs/Accessories/Travel-lids/dc0fe00377e0ec722da5bd146541427c#!upc=093597437694&upc=093597240386> on Sep. 10, 2015.
 Aladdin, “Recycled & Recyclable Travel Mug—Grey Replacement Lid”, retrieved from <http://www.shopaladdin-pmi.com/product/recycled-recyclable-travel-mug-grey-replacement-lid> on Sep. 10, 2015.
 Zak! Designs, “Grip 16 oz Travel Coffee Mug—Sapphire”, retrieved from http://www.zak.com/planet_zak_blue_stainless_steel_water_bottle_0187-5720 on Sep. 10, 2015.
 Promotional Items, Inc., “Stainless Steel 14 oz. Tool Box Travel Mug Lid”, retrieved from http://www.promotional-items-inc.com/catalog/stainless_steel_14oz_tool_box_travel_mug_lid.html on Sep. 10, 2015.

(56)

References Cited

OTHER PUBLICATIONS

“Starbucks® Stainless Steel Logo Tumbler, 16 fl oz”, retrieved from <<http://store.starbucks.com/starbucks-stainless-steel-logo-tumbler-16-fl-oz-011023529.html>> on Nov. 3, 2015.

“Corkcicle Tumbler”, retrieved from <<http://corkcicle.com/pages/tumbler>> on Nov. 3, 2015.

“Tervis Travel Lids”, Tervis.com, captured Nov. 20, 2015, pp. 1.

“Stainless Steel Tumbler”, Starbucks.com, captured Nov. 20, 2015, pp. 1.

“Tumbler”, Corkcicle.com, captured Nov. 20, 2015, pp. 1-2.

“YETI Rambler 20 and 30 oz”, published on Apr. 19, 2014, retrieved from <https://web.archive.org/web/20140419041951/http://yeticoolers.com/rambler-tumblers/> on Sep. 2, 2015.

Photographic image of YETI 20oz Rambler Tumbler, published date unknown, but prior to the filing date of the present application.

Apr. 4, 2017—(PCT) International Search Report and Written Opinion—App PCT/US2016/059514.

United States District Court Western District of Texas Austin Division, “Complaint,” *YETI Coolers, LLC v. Godinger Silver Art, Ltd., Cathy’s Concepts, Inc., Viatek Consumer Products Group, Inc.*, Case: 1:17-cv-00467, Document #1, filed May 16, 2017, 22 pages.

United States District Court Western District of Texas Austin Division, “Complaint,” *YETI Coolers, LLC v. Bayou Ice Boxes, Inc.*, Case: 1:17-cv-00261, Document #1, filed Mar. 24, 2017, 41 pages.

United States District Court Western District of Texas Austin Division, “Complaint,” *YETI Coolers, LLC v. Vickery Products, LLC d/b/a Axis Cups, f/d/b/a Frio Cups*, Case: 1:17-cv-00260, Document #1, filed Mar. 24, 2017, 52 pages.

United States District Court Western District of Texas Austin Division, “Complaint,” *YETI Coolers, LLC v. Gourmet Home Products, LLC*, Case: 1:17-cv-00533, Document #1, filed Jun. 2, 2017, 25 pages.

United States District Court Western District of Texas Austin Division, “Complaint,” *YETI Coolers, LLC v. Wadley Holdings, LLC d/b/a Meadowcraft, and Southern Sales & Marketing Group, Inc. d/b/a nICE*, Case 1:17-cv-00421, Document 1, filed May 5, 2017, 121 pages.

United States District Court Western District of Texas Austin Division, “Complaint,” *YETI Coolers, LLC v. JDS Industries, Inc., Lionel Laundry Jr., d/b/a Accolades Awards & Engraving, Creating and Fast LLC d/b/a Promotional Products San Antonio, Kelly Scoggins d/b/a King Engraving, Jamey Z. Apps d/b/a Roberts Trophies, and Eagle Media, Inc.*, Case 1:17-cv-00424, Document 1, filed May 5, 2017, 62 pages.

United States District Court Western District of Texas Austin Division, “Complaint,” *YETI Coolers, LLC v. Glacier Coolers, LLC, and Tecomate Holdings, LLC*, Case 1:17-cv-00586, Document 1, filed Jun. 15, 2017, 161 pages.

United States District Court Western District of Texas Austin Division, “Complaint,” *YETI Coolers, LLC v. Gametime Sidekicks, LLC*, Case 1:17-cv-00413, Document 1, filed May 5, 2017, 107 pages.

United States District Court Western District of Texas Austin Division, “Complaint,” *YETI Coolers, LLC v. Kodiak Coolers, LLC and Flexible Automation LLC*, Case 1:17-cv-00422, Document 1, filed May 5, 2017, 51 pages.

English translation of Office Action dated Oct. 18, 2016 for JP Application No. 2016-004374, 4 pages.

“Osulloc Green Cup”, retrieved from http://www.edaymall.com/display/goods.do?media_code=E06&goods_code=10183708 on Sep. 6, 2016.

United States District Court Western District of Texas Austin Division, “Complaint,” *YETI Coolers, LLC v. Benner China and Glassware Florida, Inc.*, Case: 1:16-cv-00142-RP, Document #1, filed Feb. 16, 2016, 21 pages.

United States District Court Western District of Texas Austin Division, “Complaint,” *YETI Coolers, LLC v. Blackbird Products Group, LLC, d/b/a Mammoth Coolers*, Case: 1:15-cv-01105, Document #1, filed Dec. 7, 2015, 266 pages.

United States District Court Western District of Texas Austin Division, “Defendant Blackbird Products Group, LLC’s Answer and Affirmative Defenses to Plaintiff YETI Coolers, LLC’s Complaint,” *YETI Coolers, LLC v. Blackbird Products Group, LLC, d/b/a Mammoth Coolers*, Case: 1:15-cv-01105-SS, Document #13, filed Dec. 28, 2015, 11 pages.

United States District Court Western District of Texas Austin Division, “Order,” *YETI Coolers, LLC v. Blackbird Products Group, LLC, d/b/a Mammoth Coolers*, Case: 1:15-cv-01105-RP, Document #26, filed Apr. 20, 2016, 1 page.

United States District Court Western District of Texas Austin Division, “Complaint,” *YETI Coolers, LLC v. The Boelter Companies, Inc., Boelter Brands, LLC and Boelter Beverage, LLC*, Case: 1:16-cv-00456, Document #1, filed Apr. 8, 2016, 20 pages.

United States District Court Western District of Texas Austin Division, “Defendants’ Answer to Complaint”, *YETI Coolers, LLC v. The Boelter Companies, Inc., Boelter Brands, LLC and Boelter Beverage, LLC*, Case: 1:16-cv-00456-RP, Document #21, filed Jun. 7, 2016, 9 pages.

United States District Court Western District of Texas Austin Division, “Consent Judgment,” *YETI Coolers, LLC v. The Boelter Companies, Inc., Boelter Brands, LLC and Boelter Beverage, LLC*, Case: 1:16-cv-00456-RP, Document #25, filed Sep. 13, 2016, 3 pages.

United States District Court Western District of Texas Austin Division, “Complaint,” *YETI Coolers, LLC v. Jennifer Leverage Bootz Evans d/b/a Bling and Burlap Buy In’s and Blanks*, Case: 1:15-cv-00995, Document #1, filed Nov. 2, 2015, 128 pages.

United States District Court Western District of Texas Austin Division, “Order,” *YETI Coolers, LLC v. Jennifer Leverage Bootz Evans d/b/a Bling and Burlap Buy In’s and Blanks*, Case: 1:15-cv-00995-RP, Document #18, filed Apr. 18, 2016, 1 page.

United States District Court Western District of Texas Austin Division, “Defendant Kaiser Group Inc.’s Answer, Affirmative Defenses, and Counterclaims to Plaintiff YETI Coolers, LLC’s Complaint,” *YETI Coolers, LLC v. Kaiser Group Inc., d/b/a Thermo Steel, d/b/a Vino2Go, d/b/a Brew2GO*, Case: 1:15-cv-00725-RP, Document #14, filed Oct. 13, 2015, 65 pages.

United States District Court Western District of Texas Austin Division, “Complaint,” *YETI Coolers, LLC v. Great American Products, Ltd.*, Case: 1:15-cv-00686, Document #1, filed Aug. 6, 2015, 20 pages.

United States District Court Western District of Texas Austin Division, “Order,” *YETI Coolers, LLC v. Great American Products, Ltd.*, Case: 1:15-cv-00686-RP, Document #25, filed Mar. 14, 2016, 1 page.

United States District Court Western District of Texas Austin Division, “Complaint,” *YETI Coolers, LLC v. Home Depot U.S.A., Inc., Takeya USA Corporation*, Case: 1:17-cv-00342, Document #1, filed Apr. 12, 2017, 24 pages.

United States District Court Western District of Texas Austin Division, “Complaint,” *YETI Coolers, LLC v. Ideastage Promotions, LLC, d/b/a Swag Brokers*, Case: 1:15-cv-00774, Document #1, filed Sep. 2, 2015, 22 pages.

United States District Court Western District of Texas Austin Division, “Order,” *YETI Coolers, LLC v. Ideastage Promotions, LLC, d/b/a Swag Brokers*, Case: 1:15-cv-00774-RP, Document #19, filed Dec. 21, 2015, 1 page.

United States District Court Western District of Texas Austin Division, “Complaint,” *YETI Coolers, LLC v. Imagen Brands, LLC, d/b/a Crown Products, and Ebsco Industries, Inc.*, Case: 1:16-cv-00578-RP, Document #1, filed May 16, 2016, 20 pages.

United States District Court Western District of Texas Austin Division, “Complaint,” *YETI Coolers, LLC v. Kaiser Group Inc., d/b/a Thermo Steel, d/b/a Vino2GO, d/b/a Brew2GO*, Case: 1:15-cv-00725, Document #1, filed Aug. 19, 2015, 21 pages.

United States District Court Western District of Texas Austin Division, “Complaint,” *YETI Coolers, LLC v. Kuer Outdoors, LLC*, Case: 1:16-cv-00631, Document #1, filed May 27, 2016, 89 pages.

United States District Court Western District of Texas Austin Division, “Complaint,” *YETI Coolers, LLC v. Magnum Solace LLC*, Case: 1:16-cv-00663-RP, Document #1, filed Jun. 7, 2016, 24 pages.

(56)

References Cited

OTHER PUBLICATIONS

United States District Court Western District of Texas Austin Division, “Defendant’s Rule 12(B)(6) Motion to Dismiss For Failure to State a Claim,” *YETI Coolers, LLC v. Magnum Solace LLC*, Case: 1:16-cv-00663-RP, Document #10, filed Aug. 5, 2016, 30 pages.

United States District Court Western District of Texas Austin Division, “Defendant’s Answer,” *YETI Coolers, LLC v. Magnum Solace LLC*, Case: 1:16-cv-00663-RP, Document #34, filed Apr. 13, 2017, 7 pages.

United States District Court Western District of Texas Austin Division, “Defendant’s Answer to Plaintiff’s Complaint and Affirmative Defenses,” *YETI Coolers, LLC v. MyCrew, LLC, MyCrew Drinkware, LLC and NNRiverLife, LLC*, Case: 1:16-cv-01008-RP, Document #14, filed Nov. 29, 2016, 12 pages.

United States District Court Western District of Texas Austin Division, “Complaint,” *YETI Coolers, LLC v. MyCrew, LLC, MyCrew Drinkware, LLC and NNRiverLife, LLC*, Case: 1:16-cv-01008, Document #1, filed Aug. 26, 2016, 29 pages.

United States District Court Western District of Texas Austin Division, “Plaintiff YETI Coolers, LLC’s Original Complaint,” *YETI Coolers, LLC v. Ontel Products Corporation and World Pack USA, LLC*, Case: 1:17-cv-00091-RP, Document #1, filed Feb. 8, 2017, 65 pages.

United States District Court Western District of Texas Austin Division, “RTIC Drinkware’s First Amended Complaint for Declaratory Judgment,” *RTIC Drinkware, LLC v. YETI Coolers, LLC*, Case: 1:16-cv-00907-RP, Document #52, filed Nov. 14, 2016, 124 pages.

United States District Court Western District of Texas Austin Division, “YETI Coolers, LLC’s Answer to RTIC Drinkware’s First Amended Complaint,” *RTIC Drinkware, LLC v. YETI Coolers, LLC*, Case: 1:16-cv-00907-RP, Document #58, filed Dec. 1, 2016, 15 pages.

United States District Court Western District of Texas Austin Division, “YETI Coolers, LLC’s Answer to RTIC Drinkware LLC’s Complaint,” *RTIC Drinkware, LLC v. YETI Coolers, LLC*, Case: 1:16-cv-00907-RP, Document #35, filed Aug. 3, 2016, 27 pages.

United States District Court for the Southern District of Texas Houston Division, “RTIC Drinkware’s Original Complaint for Declaratory Judgment, Damages, and Injunctive Relief,” *RTIC Drinkware, LLC v. YETI Coolers, LLC*, Case: 4:16-cv-01201, Document #1, filed May 2, 2016, 58 pages.

United States District Court Western District of Texas Austin Division, “Order,” *RTIC Drinkware, LLC v. YETI Coolers, LLC*, Case: 1:16-cv-00907-RP, Document #47, filed Oct. 13, 2016, 3 pages.

United States District Court Western District of Texas Austin Division, “YETI Coolers, LLC’s First Amended Complaint,” *YETI Coolers, LLC v. RTIC Coolers, LLC, RTIC Drinkware, LLC, RTIC Web Services, LLC, Corporate Support & Fulfillment, LLC, John Jacobsen, and James Jacobsen*, Case: 1:16-cv-00264-RP, Document #15, filed May 16, 2016, 110 pages.

United States District Court Western District of Texas Austin Division, “Defendant RTIC Drinkware, LLC, RTIC Web Services, LLC, Corporate Support & Fulfillment, LLC, John Jacobsen, and James Jacobsen’s Answer and Counterclaims to YETI’s First Amended Complaint for Damages and Injunctive Relief,” *YETI Coolers, LLC v. RTIC Coolers, LLC, RTIC Drinkware, LLC, RTIC Web Services, LLC, Corporate Support & Fulfillment, LLC; John Jacobsen; and James Jacobsen*, Case: 1:16-cv-00264-RP, Document #25, filed Jun. 13, 2016, 42 pages.

United States District Court Western District of Texas Austin Division, “Complaint,” *YETI Coolers, LLC v. RTIC Coolers, LLC*, Case: 1:16-cv-00264, Document #1, filed Mar. 2, 2016, 34 pages.

United States District Court Western District of Texas Austin Division, “YETI Coolers, LLC’s Answer to RTIC Drinkware, LLC’s, RTIC Web Services, LLC’s, Corporate Support & Fulfillment, LLC’s, John Jacobsen’s, and James Jacobsen’s Counterclaims,” *YETI Coolers, LLC v. RTIC Coolers, LLC, RTIC*

Drinkware, LLC, RTIC Web Services, LLC, Corporate Support & Fulfillment, LLC, John Jacobsen, and James Jacobsen, Case: 1:16-cv-00264-RP, Document #31, filed Jul. 7, 2016, 7 pages.

United States District Court Western District of Texas Austin Division, “First Amended Complaint,” *YETI Coolers, LLC v. Sam’s West, Inc., and Sam’s East, Inc.*, Case: 1:16-cv-00829-RP, Document #32, filed Jan. 9, 2017, 24 pages.

United States District Court Western District of Texas Austin Division, “Defendants Sam’s West, Inc. and Sam’s East, Inc.’s Answer to Complaint,” *YETI Coolers, LLC v. Sam’s West, Inc., and Sam’s East, Inc.*, Case: 1:16-cv-00829-RP, Document #16, filed Aug. 26, 2016, 11 pages.

United States District Court Western District of Texas Austin Division, “Complaint,” *YETI Coolers, LLC v. Sam’s West, Inc., and Sam’s East, Inc.*, Case: 1:16-cv-00829, Document #1, Jun. 30, 2016, 21 pages.

United States District Court Western District of Texas Austin Division, “First Amended Complaint,” *YETI Coolers, LLC v. Sic Products LLC, d/b/a Sic Cups, d/b/a Sic*, Case: 1:16-cv-00117-RP, Document #34, Nov. 21, 2016, 25 pages.

United States District Court Western District of Texas Austin Division, “Sic Products, LLC’s Answer, Affirmative Defenses, and Counterclaims to Plaintiff’s Amended Complaint,” *YETI Coolers, LLC v. Sic Products LLC, d/b/a Sic Cups, d/b/a Sic*, Case: 1:16-cv-00117-RP, Document #35, Dec. 5, 2016, 81 pages.

United States District Court Western District of Texas Austin Division, “Sic Products, LLC’s Answer, Affirmative Defenses, and Counterclaims to Plaintiff’s Complaint,” *YETI Coolers, LLC v. Sic Products LLC, d/b/a Sic Cups, d/b/a Sic*, Case: 1:16-cv-00117-RP, Document #14, Jun. 3, 2016, 38 pages.

United States District Court Western District of Texas Austin Division, “Complaint,” *YETI Coolers, LLC v. Sic Products LLC, d/b/a Sic Cups, d/b/a Sic*, Case: 1:16-cv-00117-RP, Document #1, Feb. 4, 2016, 23 pages.

United States District Court Western District of Texas Austin Division, “YETI Coolers, LLC’s Answer to Sic Products, LLC Counterclaims,” *YETI Coolers, LLC v. Sic Products LLC, d/b/a Sic Cups, d/b/a Sic*, Case: 1:16-cv-00117-RP, Document #21, Sep. 29, 2016, 15 pages.

United States District Court Western District of Texas Austin Division, “YETI Coolers, LLC’s Answer to Sic Products, LLC Counterclaims to YETI Coolers, LLC’s Amended Complaint,” *YETI Coolers, LLC v. Sic Products LLC, d/b/a Sic cups, d/b/a Sic*, Case: 1:16-cv-00117-RP, Document #38, Dec. 19, 2016, 20 pages.

United States District Court Western District of Texas Austin Division, “Complaint,” *YETI Coolers, LLC v. The Allen Company, d/b/a Allen Color Craft*, Case: 1:15-cv-00888-RP, Document #1, Oct. 6, 2015, 24 pages.

United States District Court Western District of Texas Austin Division, “Complaint,” *YETI Coolers, LLC v. Titan Custom Products, Inc.*, Case: 1:15-cv-00775, Document #1, Sep. 2, 2015, 22 pages.

United States District Court Western District of Texas Austin Division, “Answer,” *YETI Coolers, LLC v. Tree Leaf Marketing, LLC d/b/a Big Frig*, Case: 1:16-cv-00699-RP, Document #11, Oct. 21, 2016, 8 pages.

United States District Court Western District of Texas Austin Division, “Complaint,” *YETI Coolers, LLC v. Tree Leaf Marketing, LLC d/b/a Big Frig*, Case: 1:16-cv-00699, Document #1, Jun. 17, 2016, 33 pages.

United States District Court Western District of Texas Austin Division, “Complaint,” *YETI Coolers, LLC v. US Imprints, LLC, d/b/a GOimprints*, Case: 1:15-cv-00773, Document #1, Sep. 2, 2015, 22 pages.

United States District Court Western District of Texas Austin Division, “Order,” *YETI Coolers, LLC v. US Imprints, LLC, d/b/a GOimprints*, Case: 1:15-cv-00773-RP, Document #23, Apr. 25, 2016, 1 page.

United States District Court Western District of Texas Austin Division, “Veterinary Internet Company, LLC d/b/a VetInternetCo’s Answer to Plaintiff’s Complaint,” *YETI Coolers, LLC v. Polar Pad LLC, d/b/a Polar Drifter, d/b/a Polar Pad, and Veterinary Internet*

(56)

References Cited

OTHER PUBLICATIONS

Company, LLC, d/b/a VetInternetCo, Case: 1:16-cv-00677-RP, Document #11, Aug. 19, 2016, 12 pages.

United States District Court Western District of Texas Austin Division, “Complaint,” *YETI Coolers, LLC v. Polar Pad LLC, d/b/a Polar Pad Drifter, d/b/a Polar Pad, and Veterinary Internet Company, LLC, d/b/a VetInternetCo*, Case: 1:16-cv-00128, Document #1, Feb. 12, 2016, 24 pages.

United States District Court Western District of Texas Austin Division, “Complaint,” *YETI Coolers, LLC v. Polar Pad LLC, d/b/a Polar Pad Drifter, d/b/a Polar Pad, and Veterinary Internet Company, LLC, d/b/a VetInternetCo*, Case: 1:16-cv-00677, Document #1, Jun. 10, 2016, 25 pages.

United States District Court Western District of Texas Austin Division, “Order,” *YETI Coolers, LLC v. Polar Pad LLC, d/b/a Polar Pad Drifter, d/b/a Polar Pad, and Veterinary Internet Company, LLC, d/b/a VetInternetCo*, Case: 1:16-cv-00128-RP, Document #17, Jun. 17, 2016, 1 page.

United States District Court Western District of Texas Austin Division, “[Proposed] Order Granting Stipulated Motion to Dismiss Defendant Polar Pad, LLC, Without Prejudice, Pursuant to Fed. R. Civ. P. 21,” *YETI Coolers, LLC v. Polar Pad LLC, d/b/a Polar Pad Drifter, d/b/a Polar Pad, and Veterinary Internet Company, LLC, d/b/a VetInternetCo*, Case: 1:16-cv-00677-RP, Document #14, Sep. 15, 2016, 1 page.

United States District Court Western District of Texas Austin Division, “Complaint,” *YETI Coolers, LLC v. Vickery Products,*

LLC d/b/a Axis Cups, f/d/b/a Frio Cups, Case: 1:17-cv-00260, Document #1, Mar. 24, 2017, 52 pages.

United States District Court Western District of Texas Austin Division, “First Amended Complaint,” *YETI Coolers, LLC v. Wal-Mart Stores, Inc. and Olympia Tools International, Inc.*, Case: 1:16-cv-00454-RP, Document #17, May 24, 2016, 26 pages.

United States District Court Western District of Texas Austin Division, “Complaint,” *YETI Coolers, LLC v. Wal-Mart Stores, Inc.*, Case: 1:16-cv-00454, Document #1, Apr. 8, 2016, 29 pages.

United States District Court Western District of Texas Austin Division, “Olympia Tools International, Inc.’s Answer to YETI Coolers, LLC’s First Amended Complaint,” *YETI Coolers, LLC v. Wal-Mart Stores, Inc. and Olympia Tools International, Inc.*, Case: 1:16-cv-00454-RP, Document #28, Jul. 14, 2016, 12 pages.

United States District Court Western District of Texas Austin Division, “Wal-Mart Stores, Inc.’s Answer to First Amended Complaint,” *YETI Coolers, LLC v. Wal-Mart Stores, Inc. and Olympia Tools International, Inc.*, Case: 1:16-cv-00454-RP, Document #22, Jun. 7, 2016, 13 pages.

United States District Court Western District of Texas Austin Division, “Complaint” *YETI Coolers, LLC v. Zhejiang Zhuosheng Industry & Trade Co, Ltd., d/b/a Wuyi Zhuosheng Household Metal Products Co., Ltd., d/b/a Yongkang Zhuosheng Metal Products Co., Ltd., d/b/a Zhejiang Zhuosheng Industry & Trade Co, Ltd.*, Case 1:17-cv-00821, Document 1, filed Aug. 23, 2017, 27 pages.

Apr. 4, 2017—(PCT) Written Opinion and International Search Report App PCT/US2016/059514.

* cited by examiner

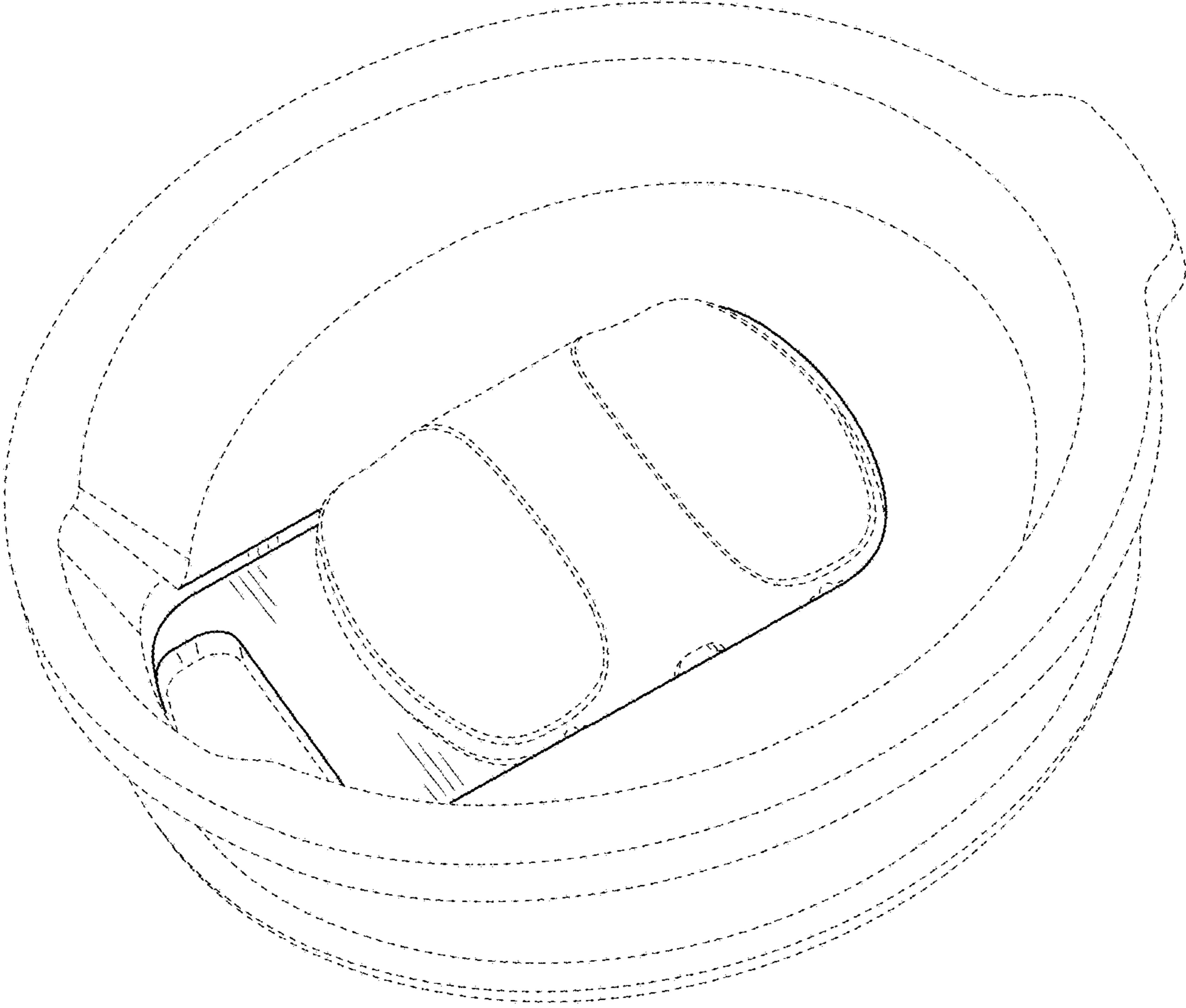


FIG. 1

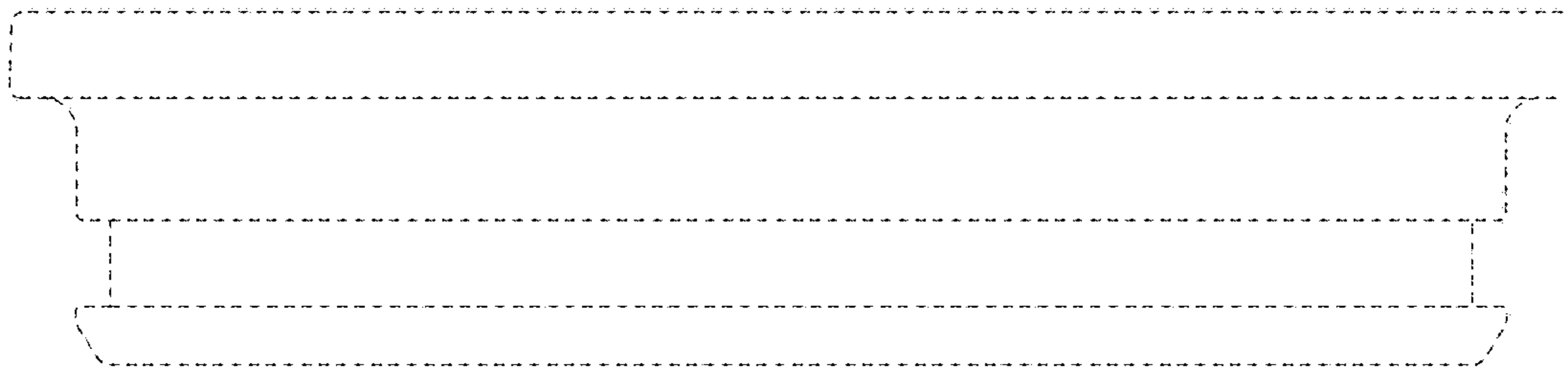


FIG. 2

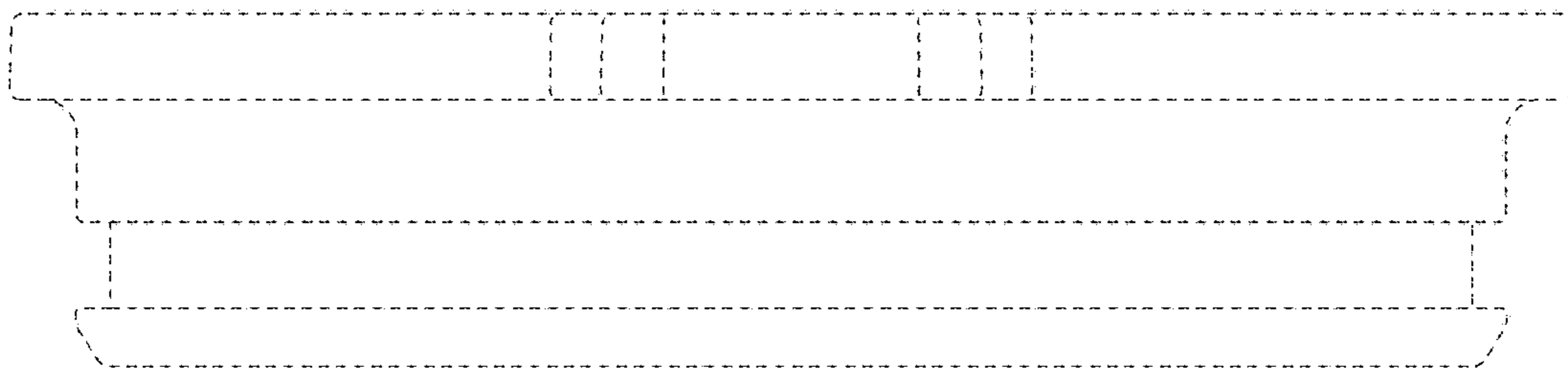


FIG. 3

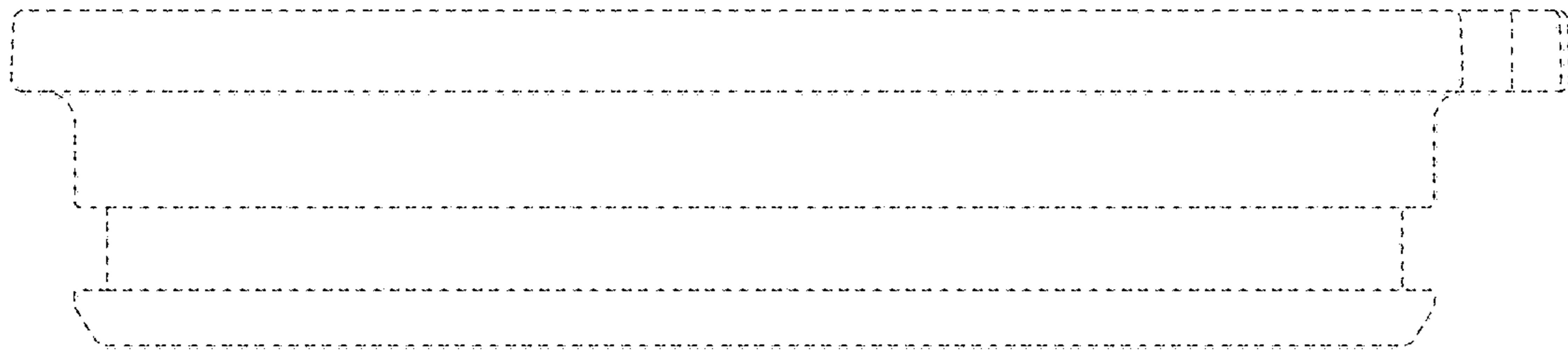


FIG. 4

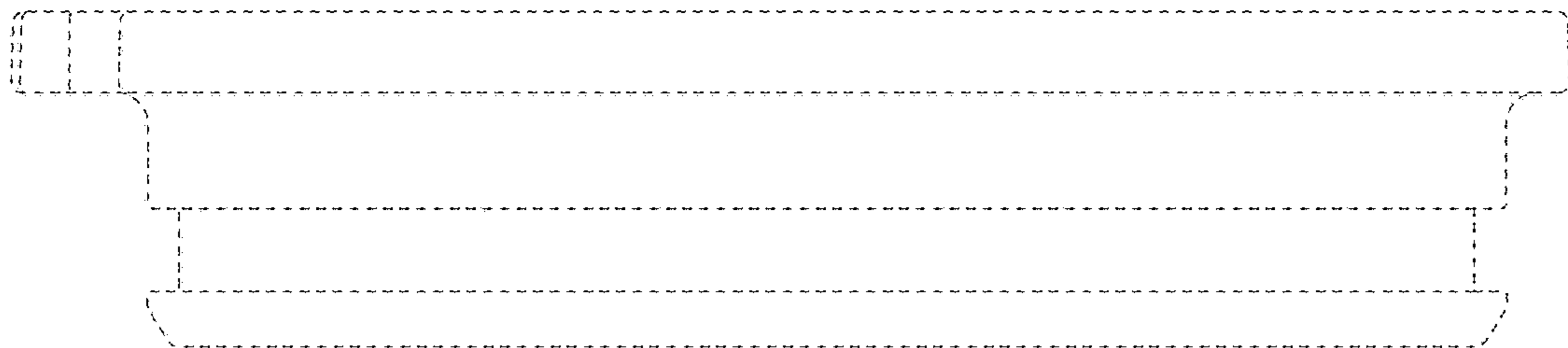


FIG. 5

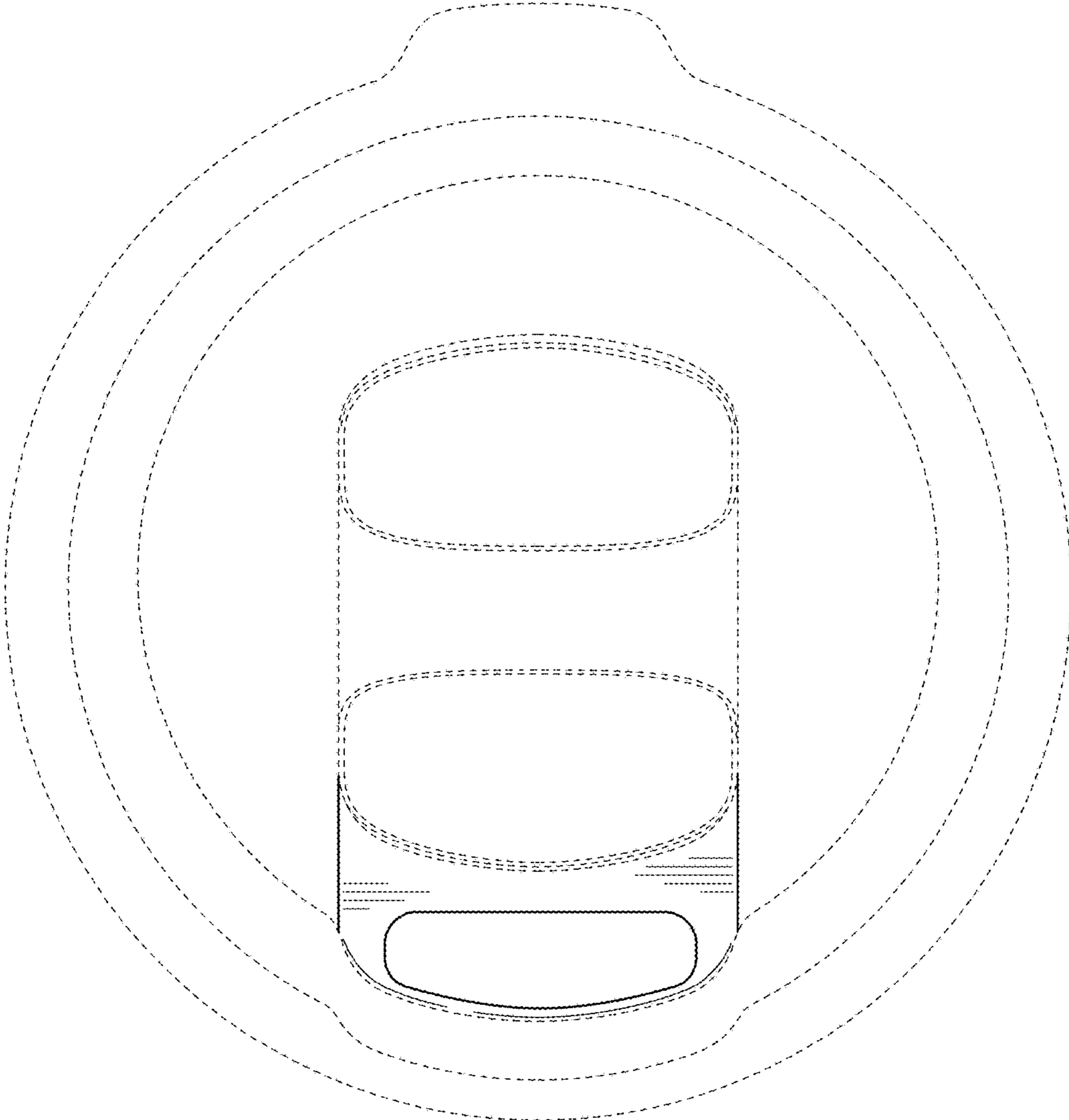


FIG. 6

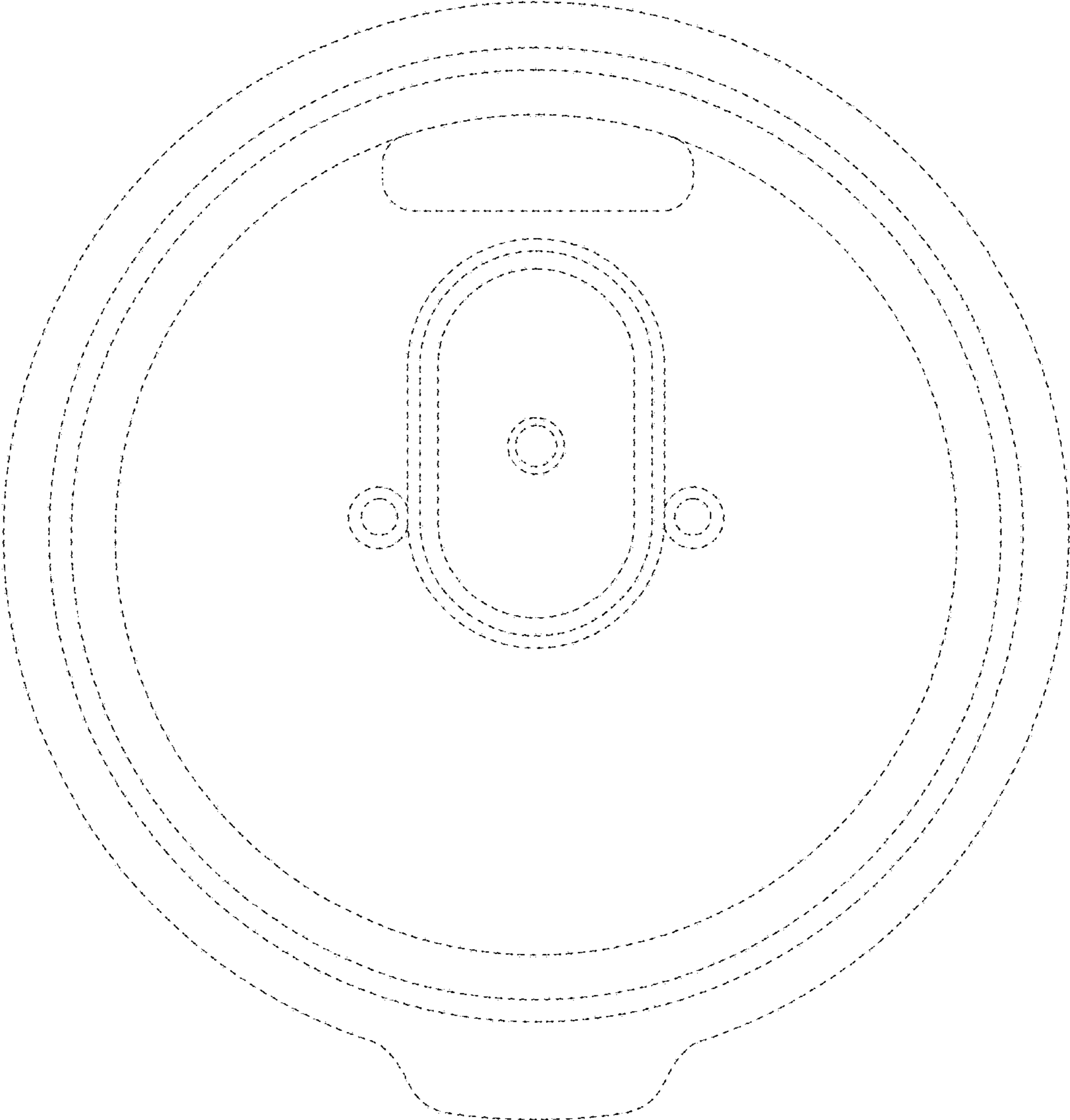


FIG. 7

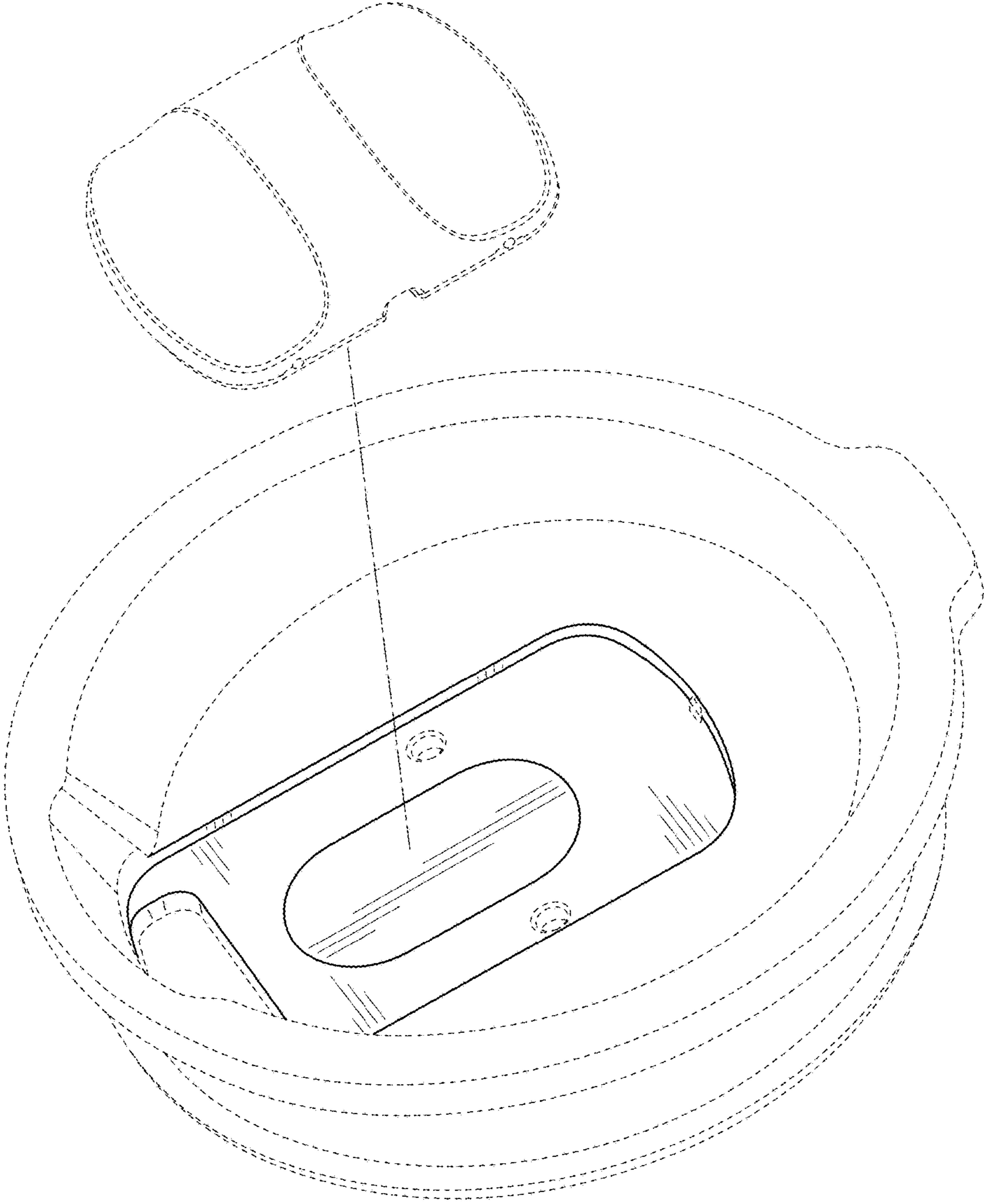


FIG. 8