



US00D824210S

(12) **United States Design Patent**
Kim et al.

(10) **Patent No.:** **US D824,210 S**

(45) **Date of Patent:** **** Jul. 31, 2018**

(54) **BLENDER**

(71) Applicant: **Cerebral, Inc.**, Cocoa, FL (US)

(72) Inventors: **Taeyup Kim**, Alpharetta, GA (US);
Moosung Kim, Busan (KR); **David Bartine**, Cocoa, FL (US)

(**) Term: **15 Years**

(21) Appl. No.: **29/623,398**

(22) Filed: **Oct. 25, 2017**

(51) **LOC (11) Cl.** **31-00**

(52) **U.S. Cl.**

USPC **D7/378**; D7/376; D7/384; D7/412

(58) **Field of Classification Search**

USPC D7/323, 372, 376–386, 412–413, 602,
D7/629, 665–666, 669, 679, 693–694

CPC A21C 1/02; A21C 1/04; A23N 1/00; A23N
1/02; A47G 19/2205; A47J 43/04; A47J
43/25; A47J 43/27; A47J 43/042; A47J
43/044; A47J 43/046; A47J 43/075; A47J
43/0722; A47J 43/0727; B01F 3/00; B01F
3/0807; B01F 3/0853; B01F 13/0059;
B01F 13/0064; B02C 1/08; B02C 2/04;
B02C 4/42; B02C 4/142; B02C 4/143;
B02C 4/423; B02C 13/1835; B28C 5/10;
B28C 5/12; B28C 5/14; B28C 5/16

See application file for complete search history.

(56) **References Cited**

U.S. PATENT DOCUMENTS

D290,677 S * 7/1987 Stutzer D7/383
D346,526 S * 5/1994 Bannigan D7/323
D366,595 S * 1/1996 Dobson D7/373
5,720,552 A * 2/1998 Schindlegger A47G 19/2205
366/197
D391,802 S * 3/1998 Wong D7/378

D621,206 S * 8/2010 Matta D7/372
D629,642 S * 12/2010 Miller D7/372
D630,467 S * 1/2011 Harrod D7/372

(Continued)

Primary Examiner — Ricky Pham

(74) *Attorney, Agent, or Firm* — Wideman Malek, PL;
Daniel C. Pierron

(57) **CLAIM**

The ornamental design for a blender, as shown and described.

DESCRIPTION

FIG. 1 is a front perspective view of a blender according to the present invention in an expanded configuration.

FIG. 2 is a front elevation view of the blender illustrated in FIG. 1.

FIG. 3 is a rear elevation view of the blender illustrated in FIG. 1.

FIG. 4 is a left side elevation view of the blender illustrated in FIG. 1.

FIG. 5 is a right side elevation view of the blender illustrated in FIG. 1.

FIG. 6 is a top view of the blender illustrated in FIG. 1.

FIG. 7 is a bottom view of the blender illustrated in FIG. 1.

FIG. 8 is a front perspective view of the blender illustrated in FIG. 1 in a collapsed configuration.

FIG. 9 is a front elevation view of the blender illustrated in FIG. 8.

FIG. 10 is a rear elevation view of the blender illustrated in FIG. 8.

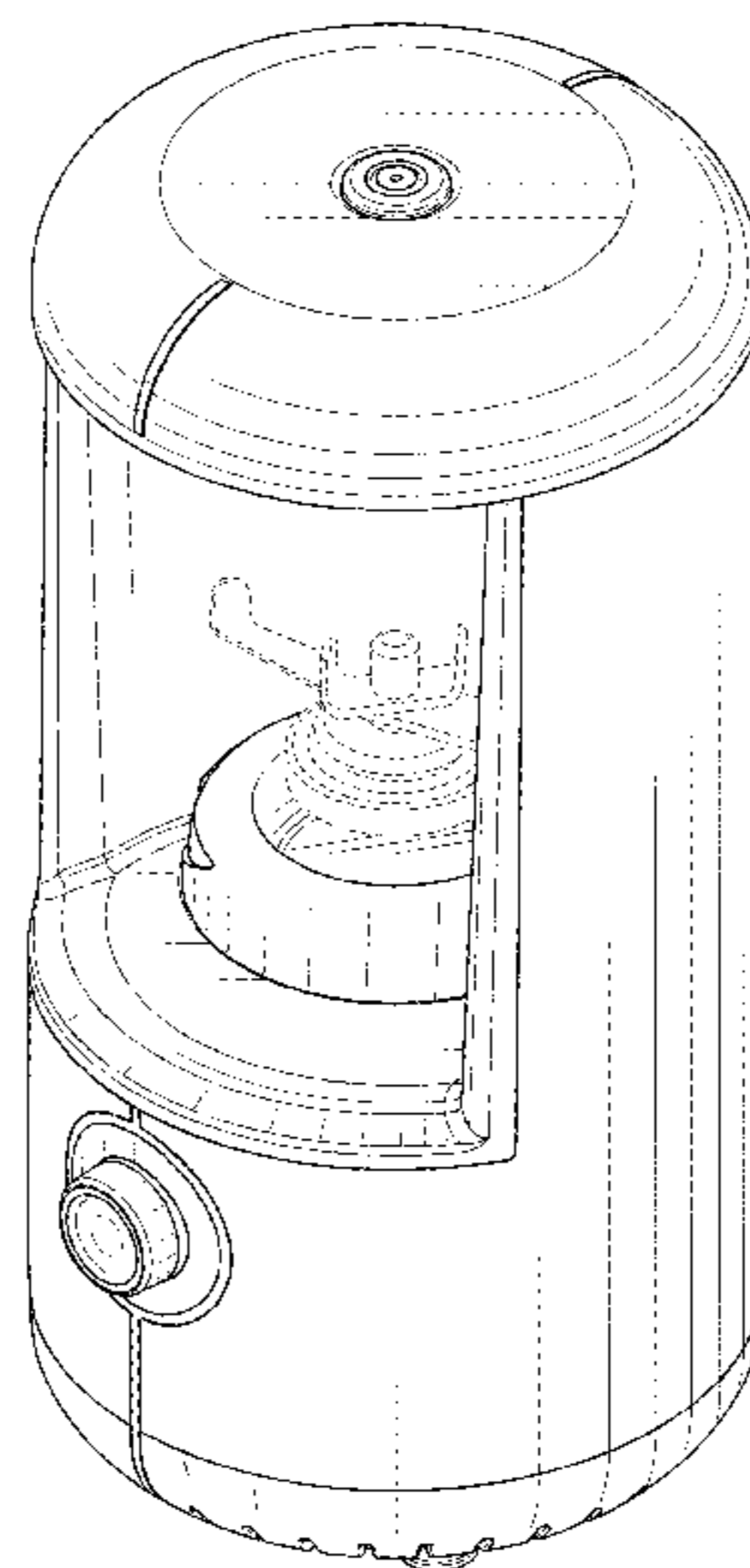
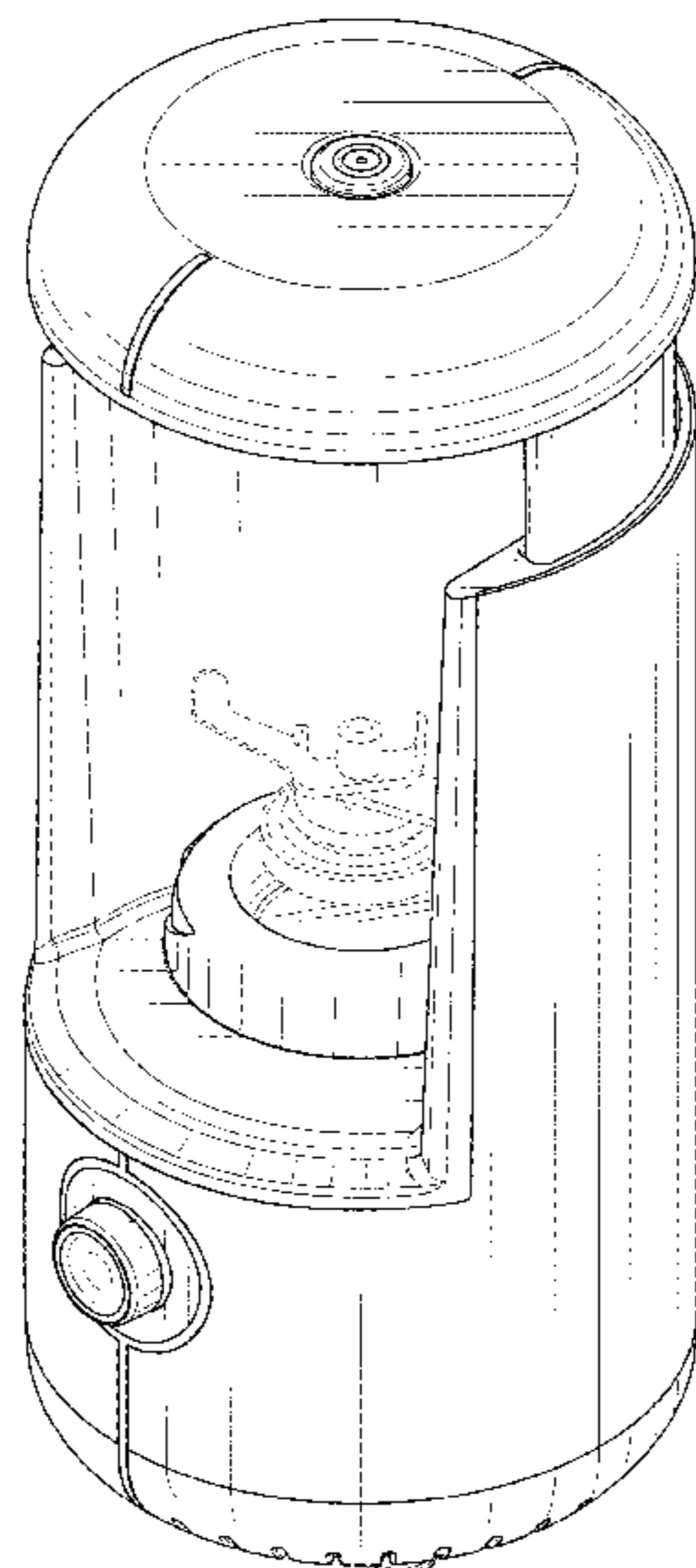
FIG. 11 is a left side elevation view of the blender illustrated in FIG. 8.

FIG. 12 is a right side elevation view of the blender illustrated in FIG. 8.

FIG. 13 is a top view of the blender illustrated in FIG. 8; and, FIG. 14 is a bottom view of the blender illustrated in FIG. 8.

The broken lines depict elements of the blender that do not form a claimed feature of the present invention.

1 Claim, 12 Drawing Sheets



(56)

References Cited

U.S. PATENT DOCUMENTS

D782,866 S * 4/2017 Suesse D7/376
D793,803 S * 8/2017 Patel D7/376
D794,385 S * 8/2017 Lee D7/376

* cited by examiner

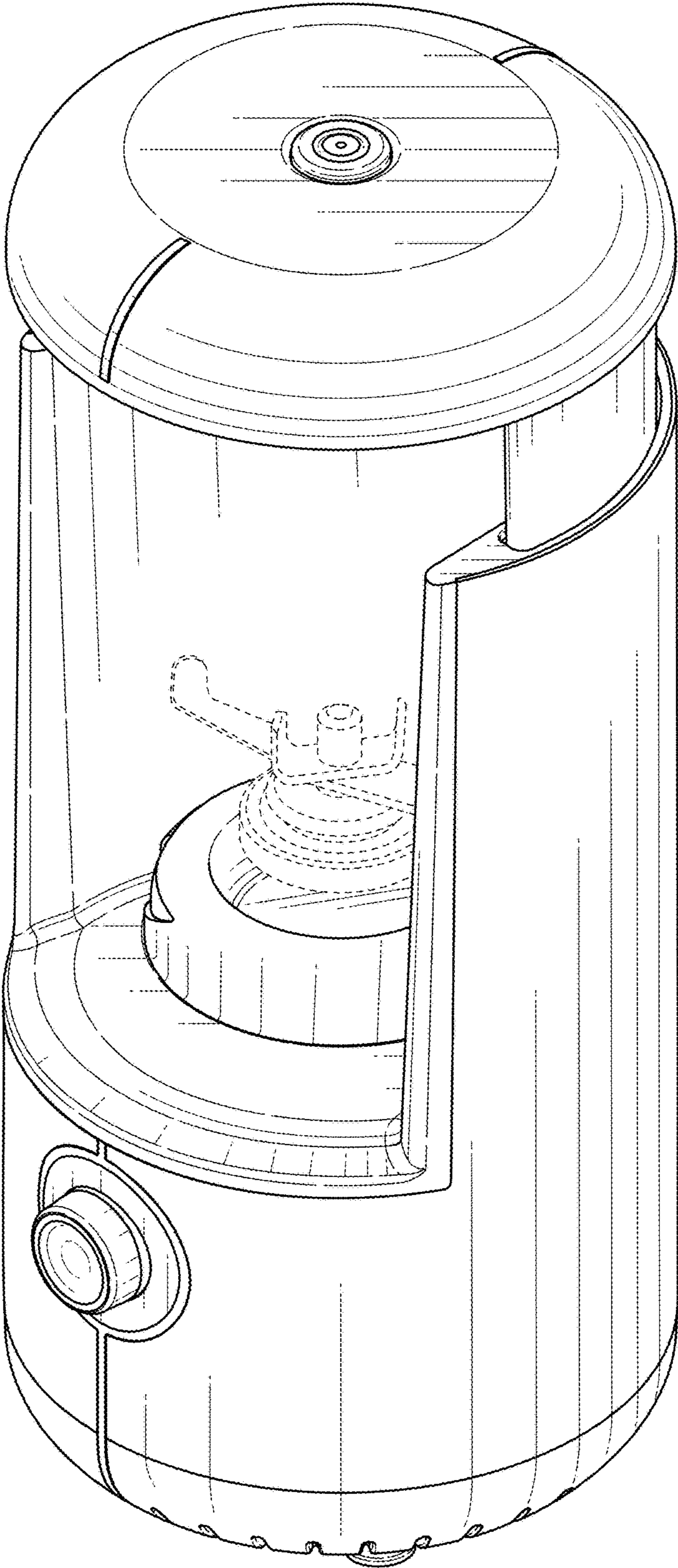


FIG. 1

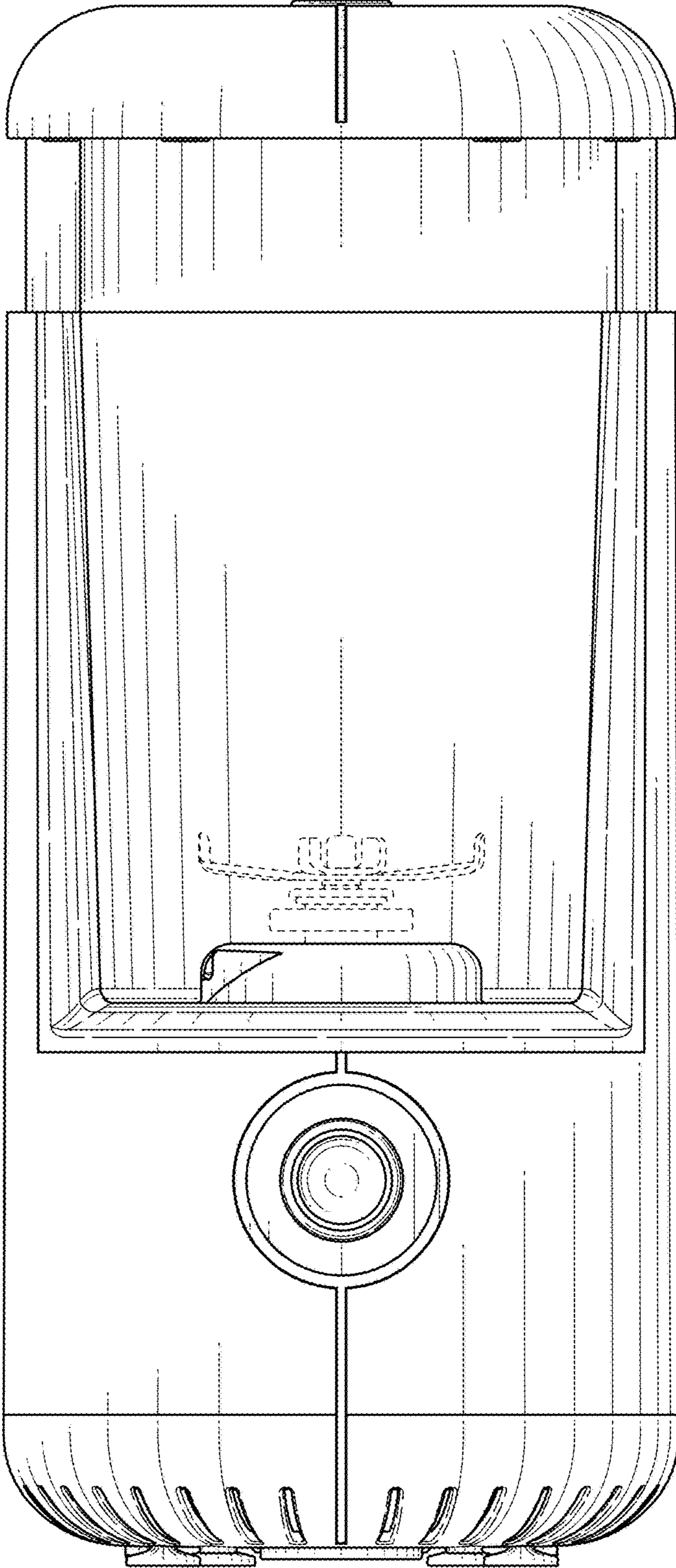


FIG. 2

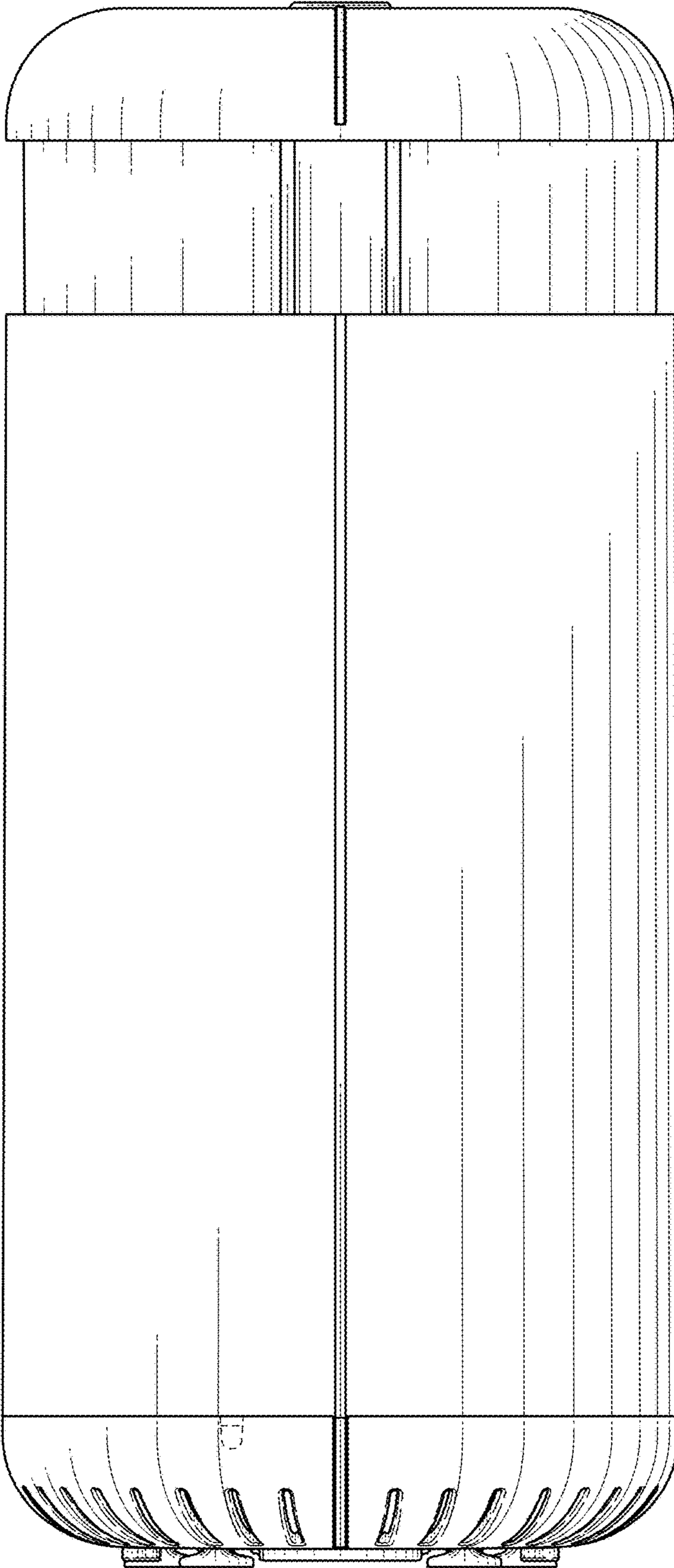


FIG. 3

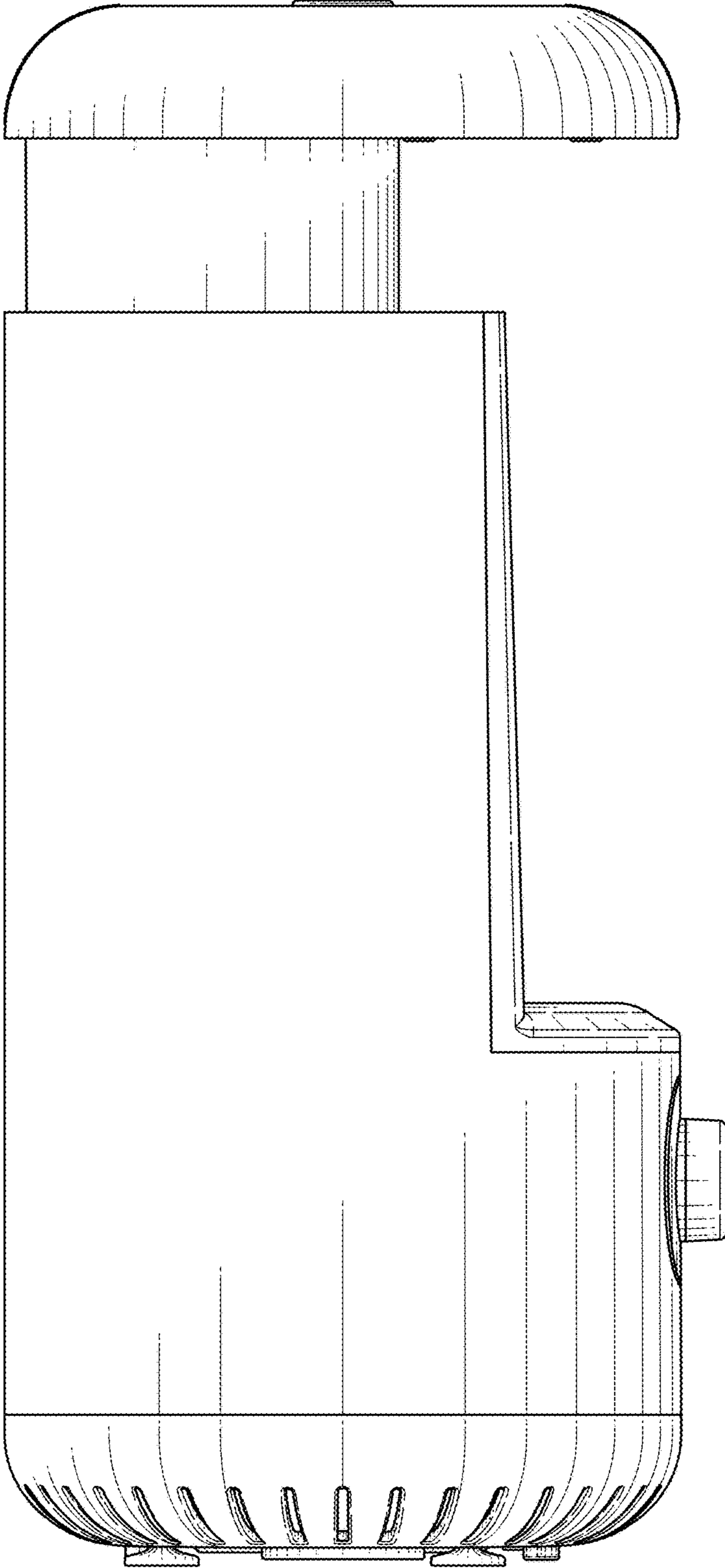


FIG. 4

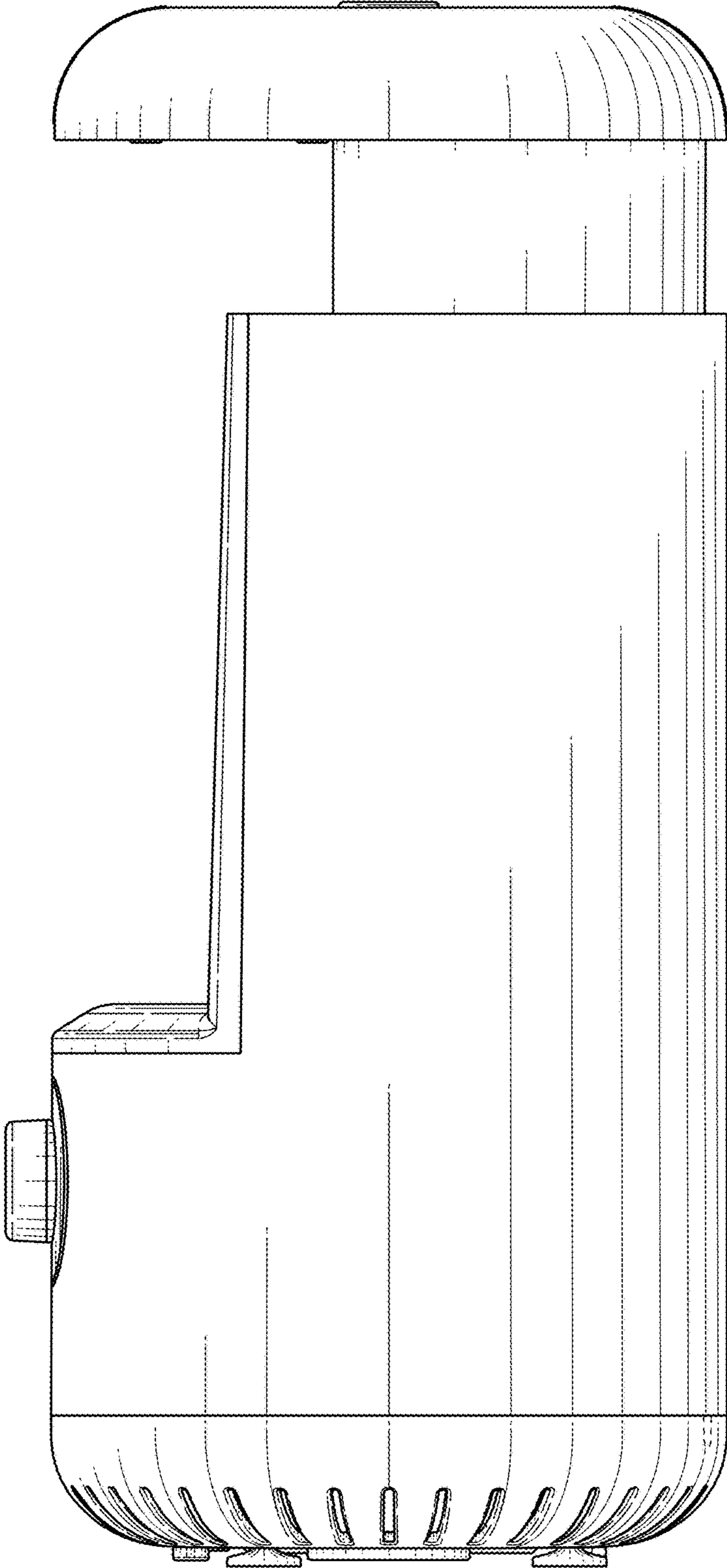


FIG. 5

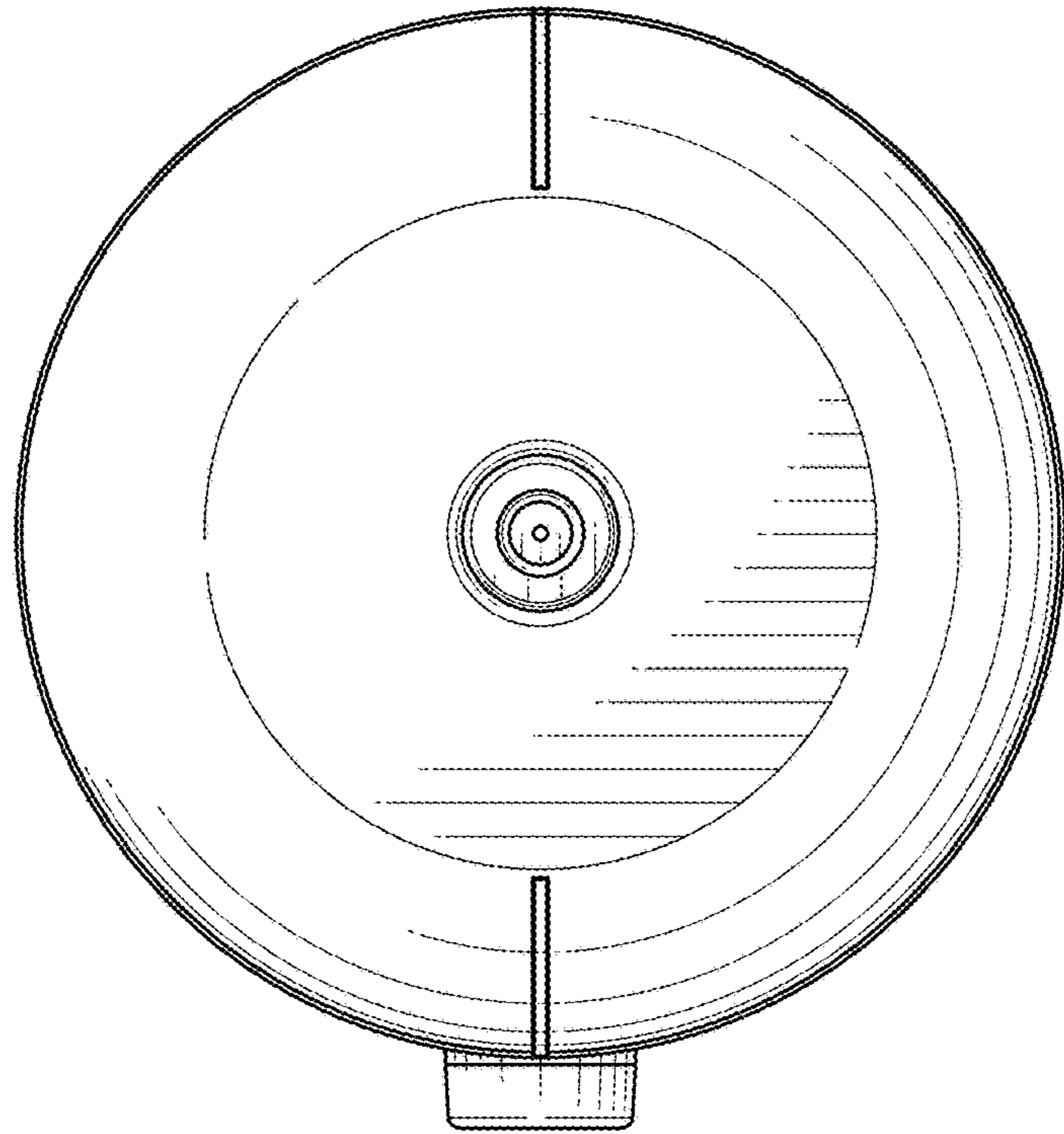


FIG. 6

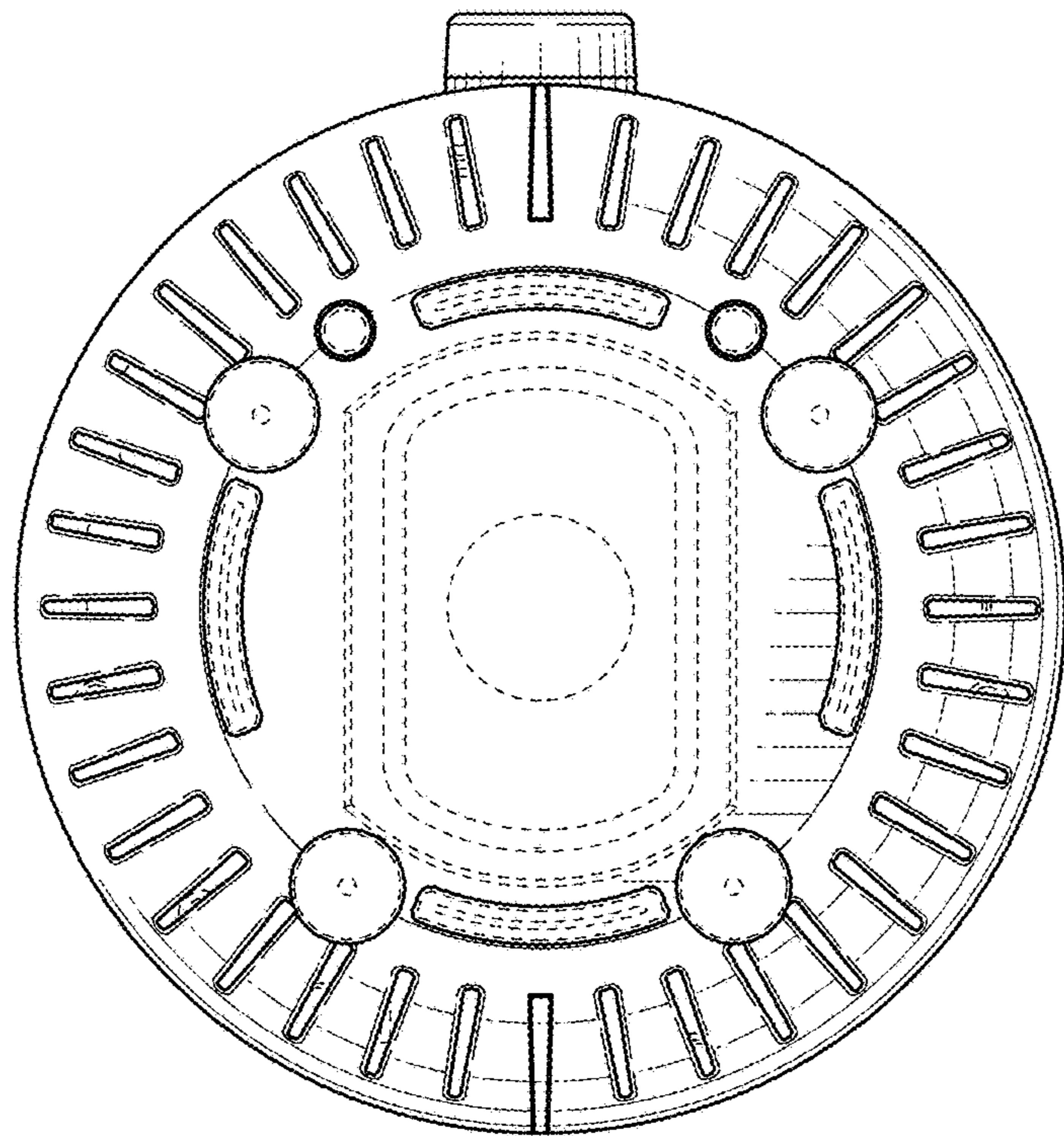


FIG. 7

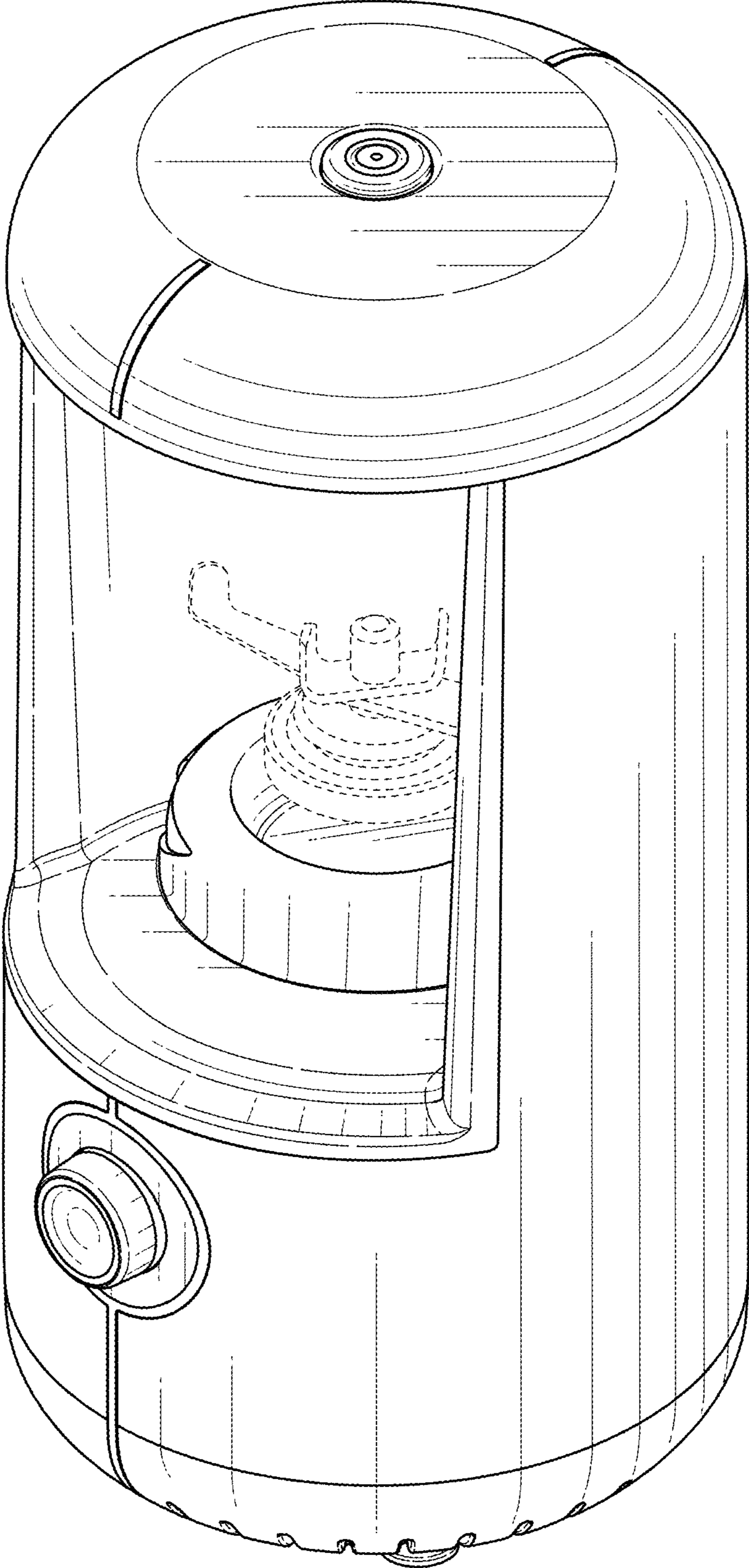


FIG. 8

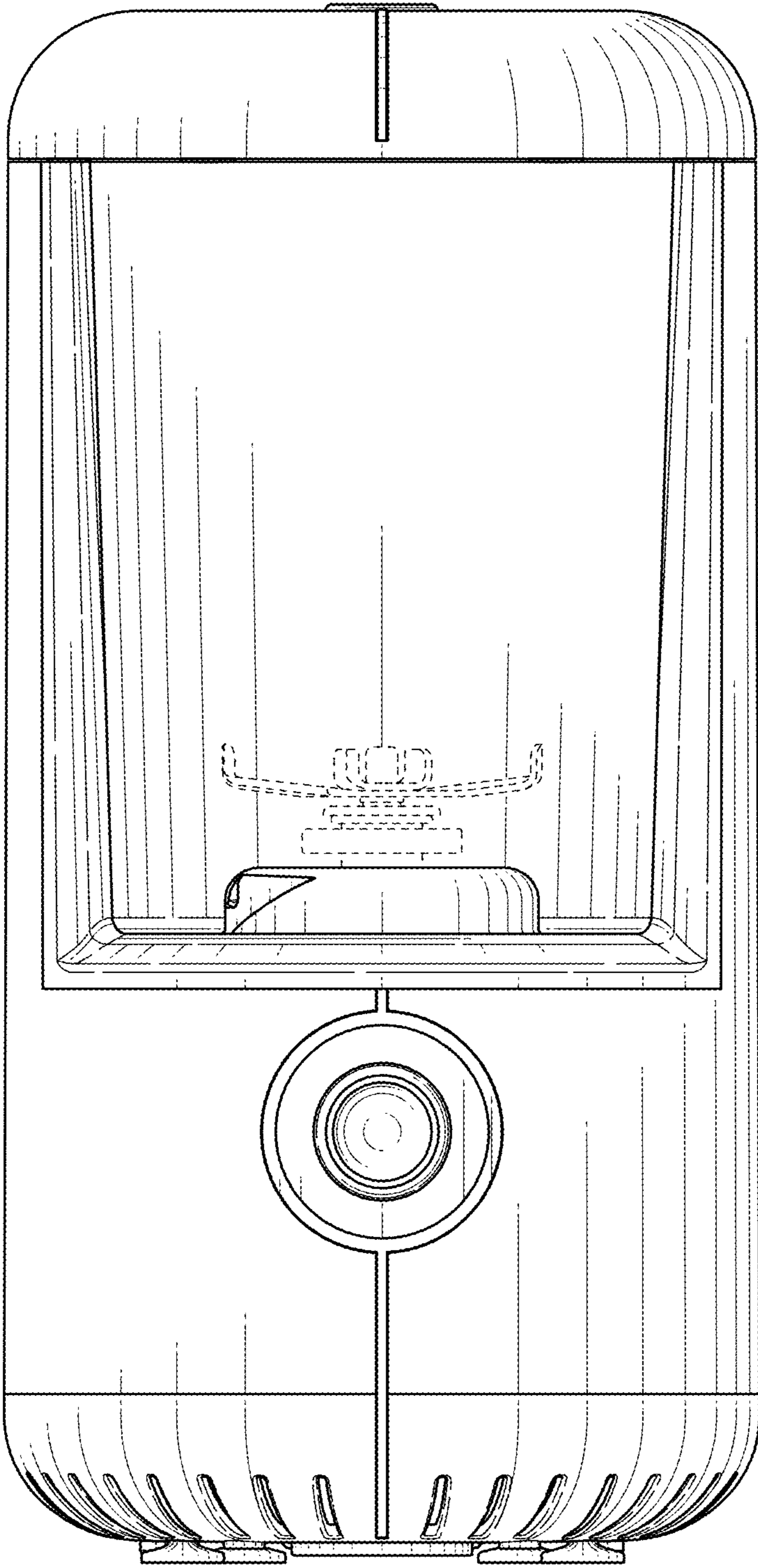


FIG. 9

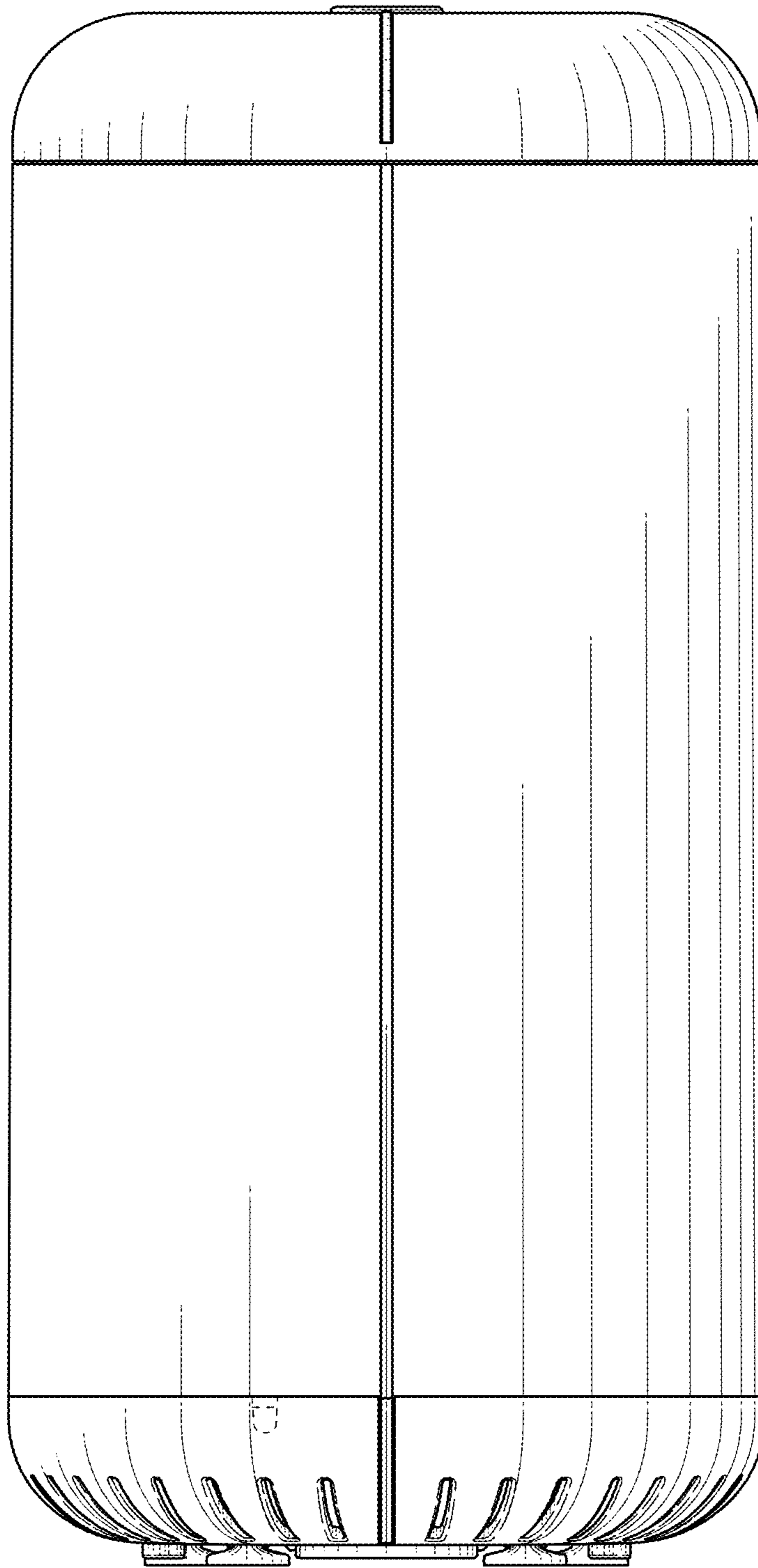


FIG. 10

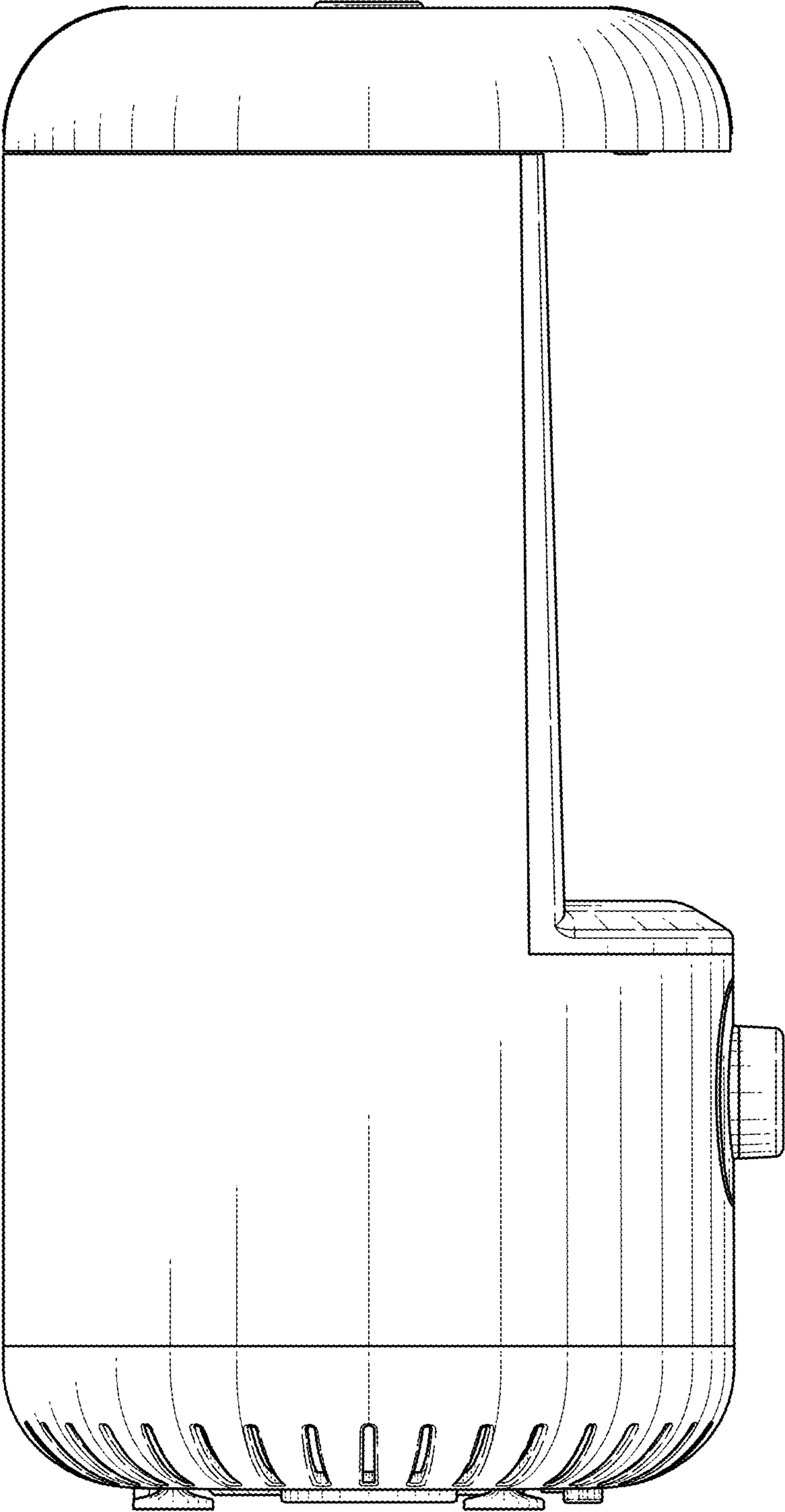


FIG. 11

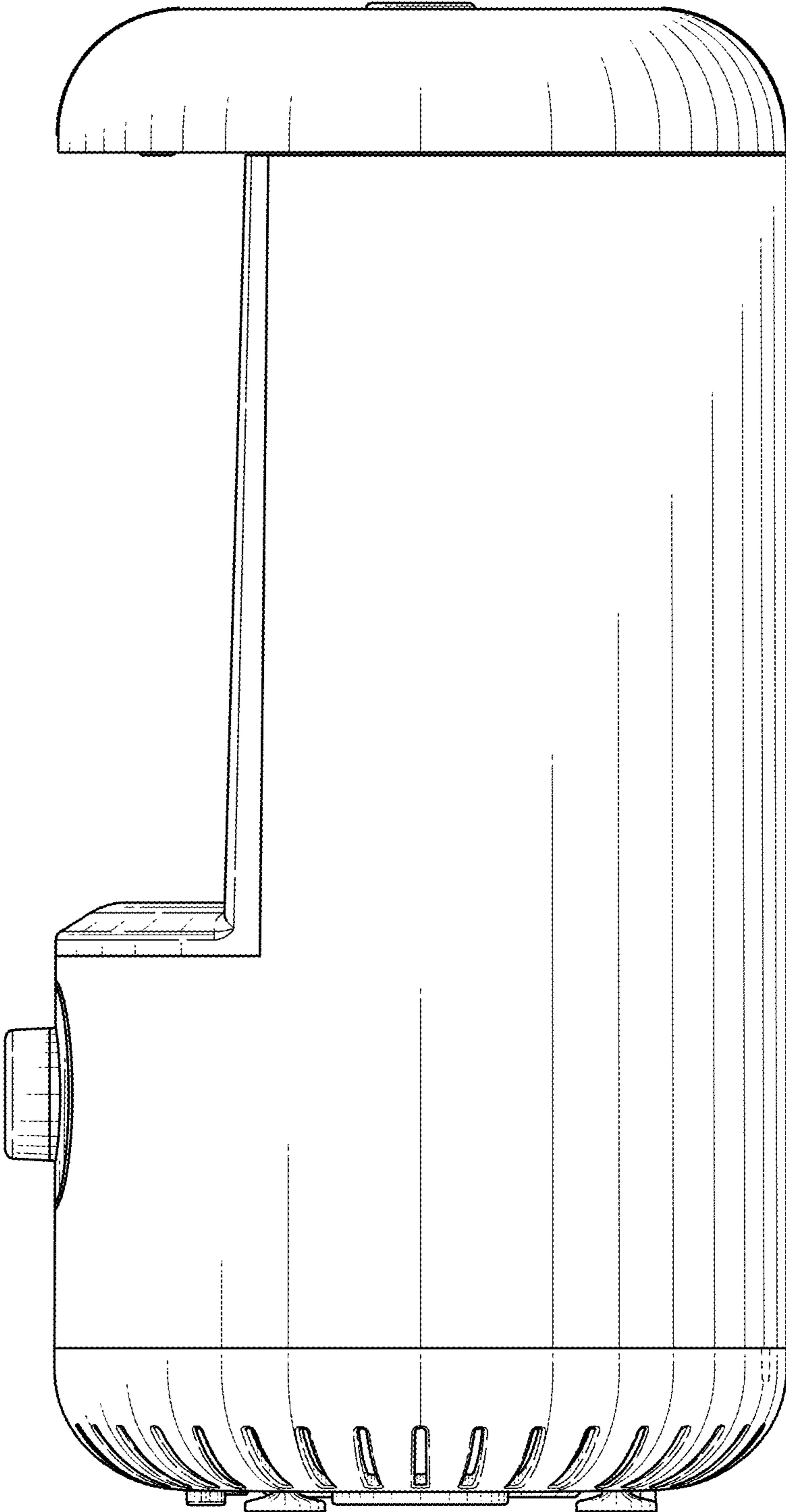


FIG. 12

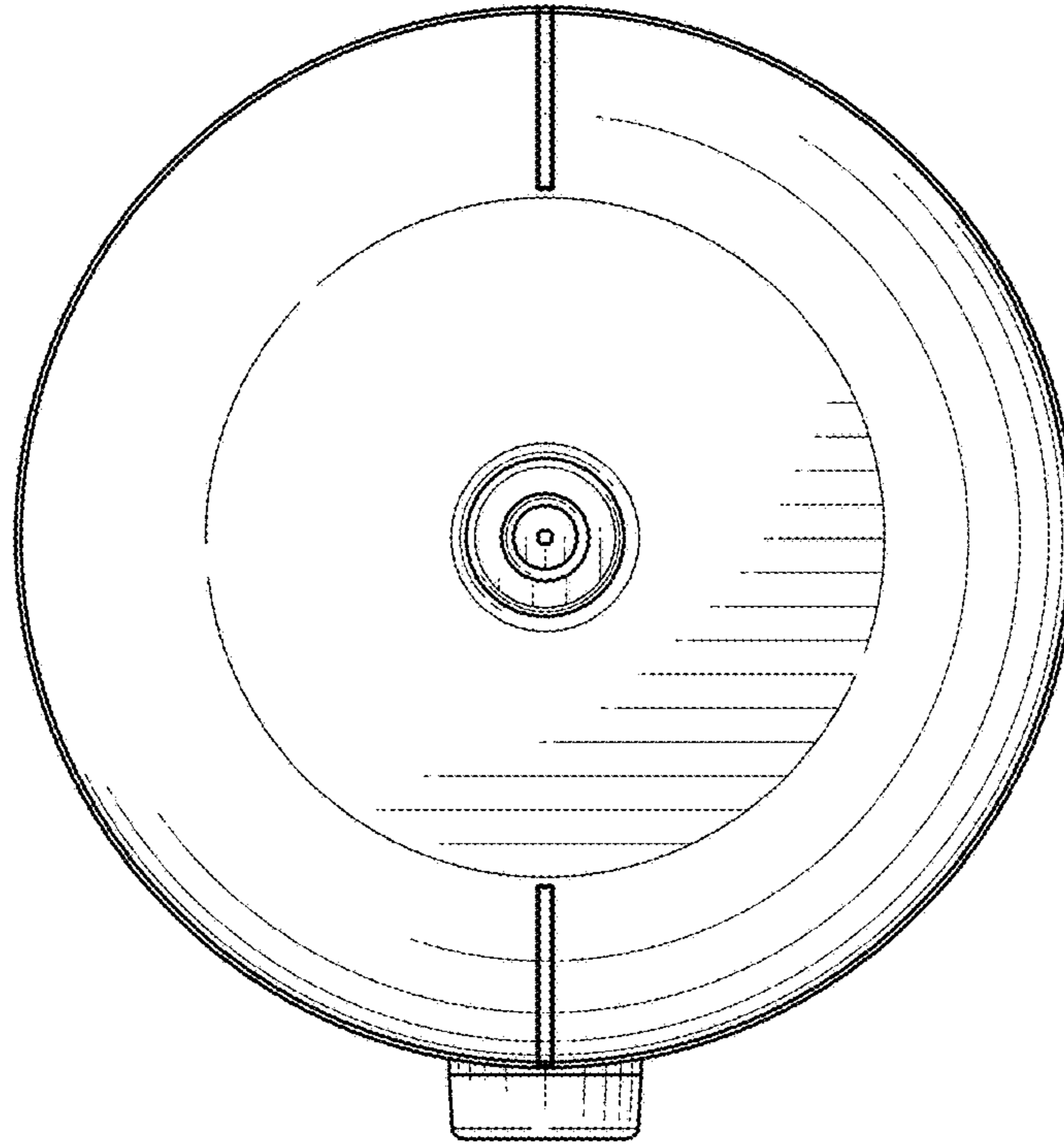


FIG. 13

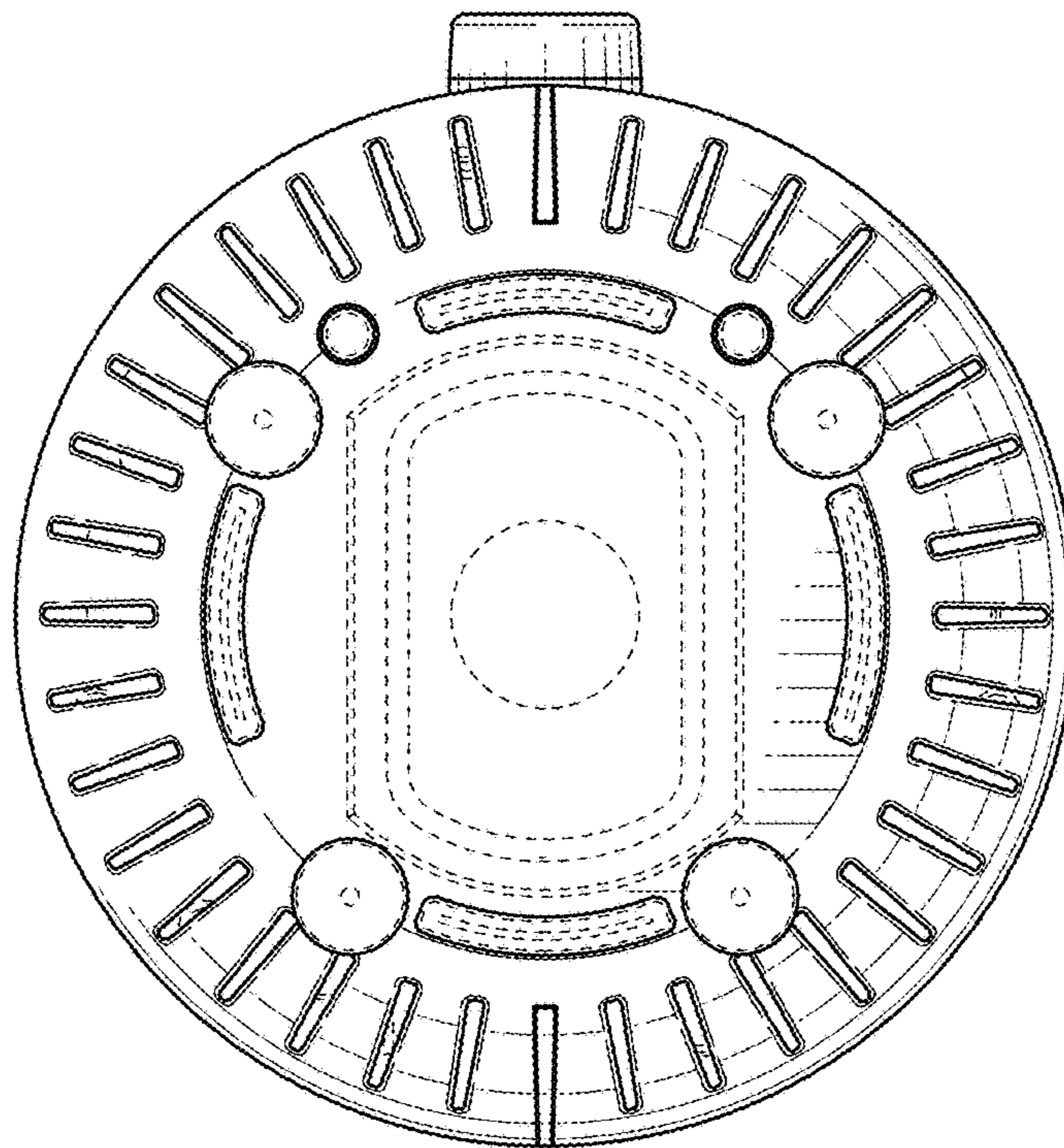


FIG. 14