

US00D824209S

(12) **United States Design Patent**  
**Lin**

(10) **Patent No.:** **US D824,209 S**  
(45) **Date of Patent:** **\*\* Jul. 31, 2018**

- (54) **DOUGH DIVIDER-ROUNDER**
- (71) Applicant: **King-Yuan Lin**, Dallas, TX (US)
- (72) Inventor: **King-Yuan Lin**, Dallas, TX (US)
- (\*\*) Term: **15 Years**
- (21) Appl. No.: **29/620,478**
- (22) Filed: **Jan. 5, 2017**
- (51) **LOC (11) Cl.** ..... **31-00**
- (52) **U.S. Cl.**  
USPC ..... **D7/368**
- (58) **Field of Classification Search**  
USPC ..... D7/368, 376, 381  
CPC .... A21C 3/27; A21C 3/02; A21C 5/02; A21C  
7/01; A21C 9/08; A21C 11/08  
See application file for complete search history.

- 5,605,708 A \* 2/1997 Cummins ..... A21C 7/01  
425/332
- 5,775,804 A \* 7/1998 Meier ..... A21O 5/02  
366/76.5
- 5,783,222 A \* 7/1998 Voyatzakis ..... A21C 3/02  
425/151
- 6,955,533 B2 \* 10/2005 Morikawa ..... A21C 3/027  
425/193
- D612,666 S \* 3/2010 Lin ..... D7/368
- D623,467 S \* 9/2010 Lin ..... D7/368
- D688,514 S \* 8/2013 Lin ..... D7/368
- D741,106 S \* 10/2015 Lin ..... D7/368

\* cited by examiner

*Primary Examiner* — Terry A Wallace

(74) *Attorney, Agent, or Firm* — Todd N. Hathaway

(57) **CLAIM**

The ornamental design for a dough divider-rounder, as shown and described.

(56) **References Cited**

**U.S. PATENT DOCUMENTS**

- 4,177,030 A \* 12/1979 Seiling ..... A21C 5/02  
425/145
- 4,255,106 A \* 3/1981 Anetsberger ..... A21C 11/008  
425/151
- 4,586,888 A \* 5/1986 Anderson ..... A21C 11/08  
425/362
- 4,668,174 A 5/1987 Williams
- 4,898,528 A 2/1990 Willard et al.
- 5,112,208 A \* 5/1992 Voth ..... A21C 3/02  
264/175
- 5,460,506 A \* 10/1995 Price, IV ..... A21C 1/06  
366/158.1

**DESCRIPTION**

FIG. 1 is a front perspective view of a dough divider-rounder showing my new design;  
 FIG. 2 is a left side elevational view of the dough divider-rounder of FIG. 1;  
 FIG. 3 is a right side elevational view thereof;  
 FIG. 4 is a front elevation view thereof;  
 FIG. 5 is a rear elevational view thereof;  
 FIG. 6 is a top plan view thereof; and,  
 FIG. 7 is a bottom plan view thereof.

**1 Claim, 4 Drawing Sheets**

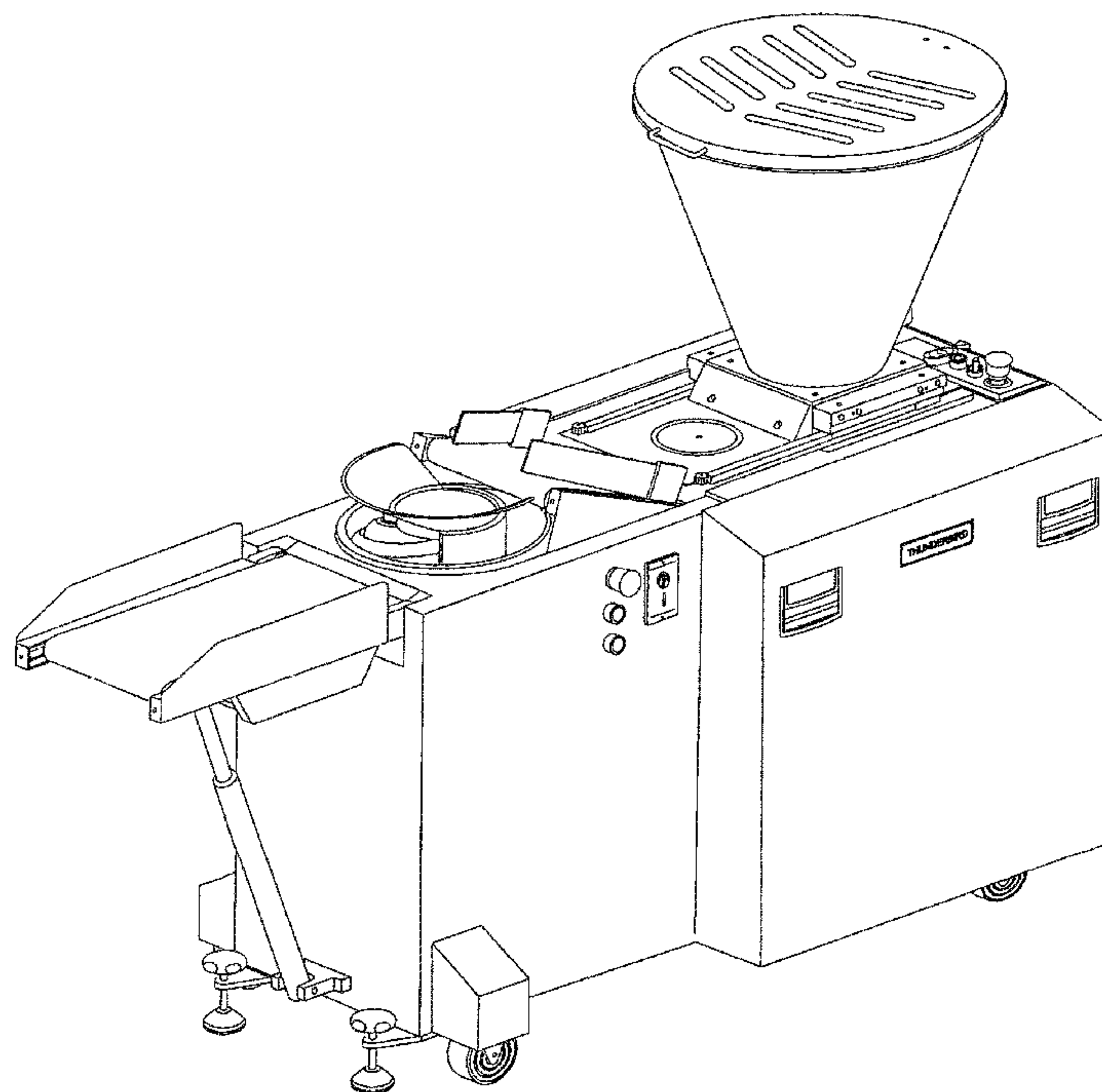


FIG. 1

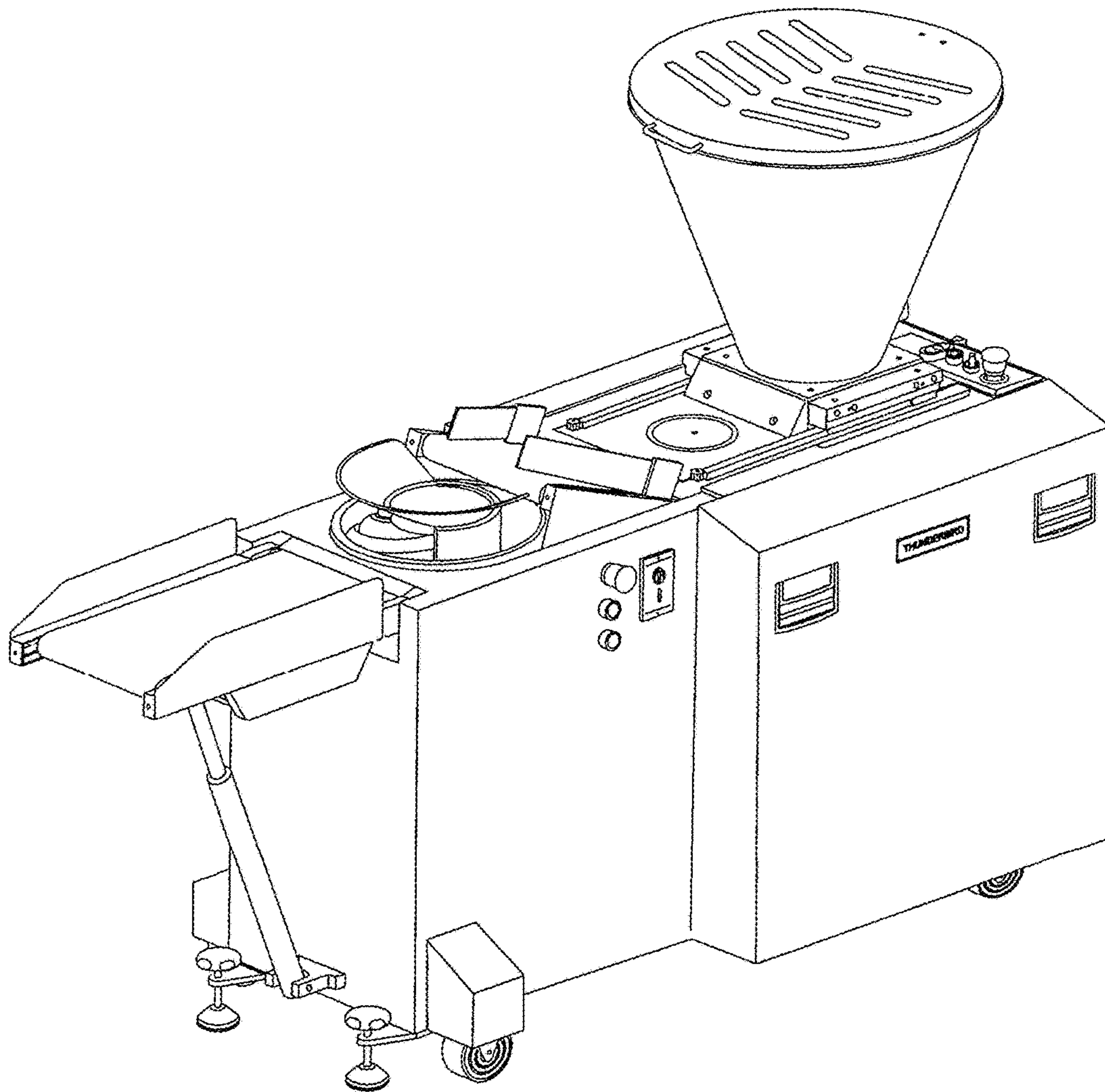


FIG. 2

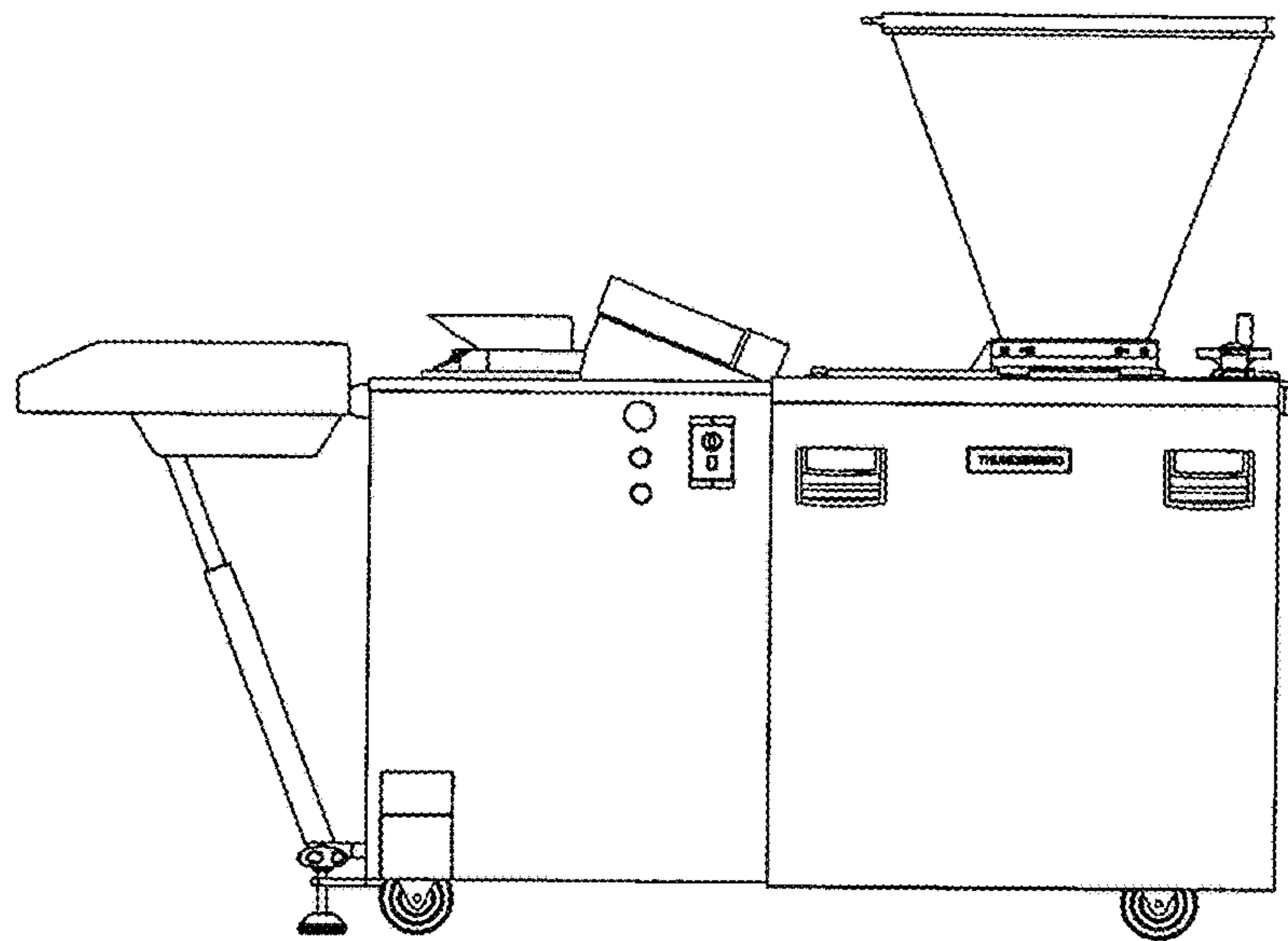


FIG. 3

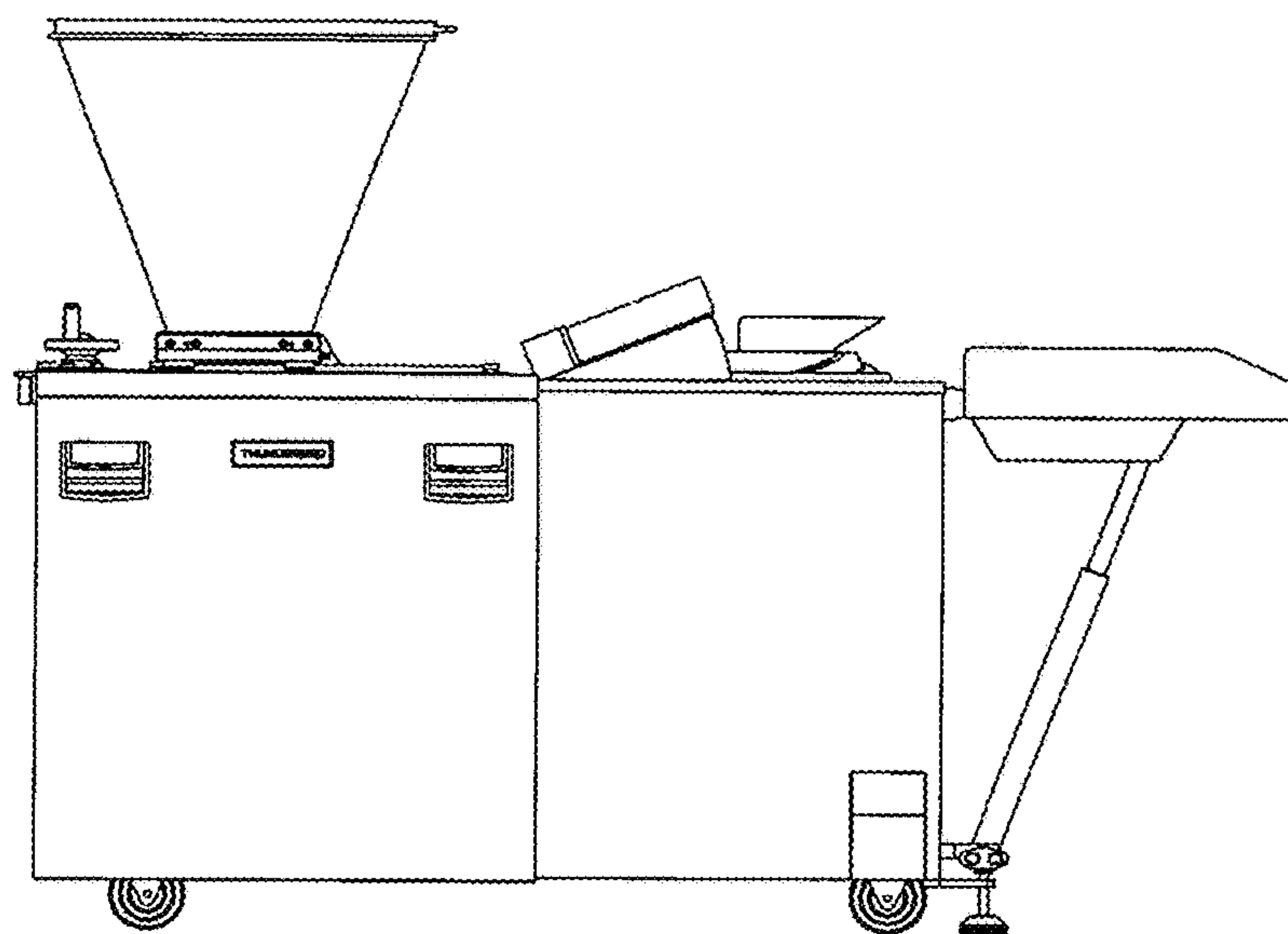


FIG. 4

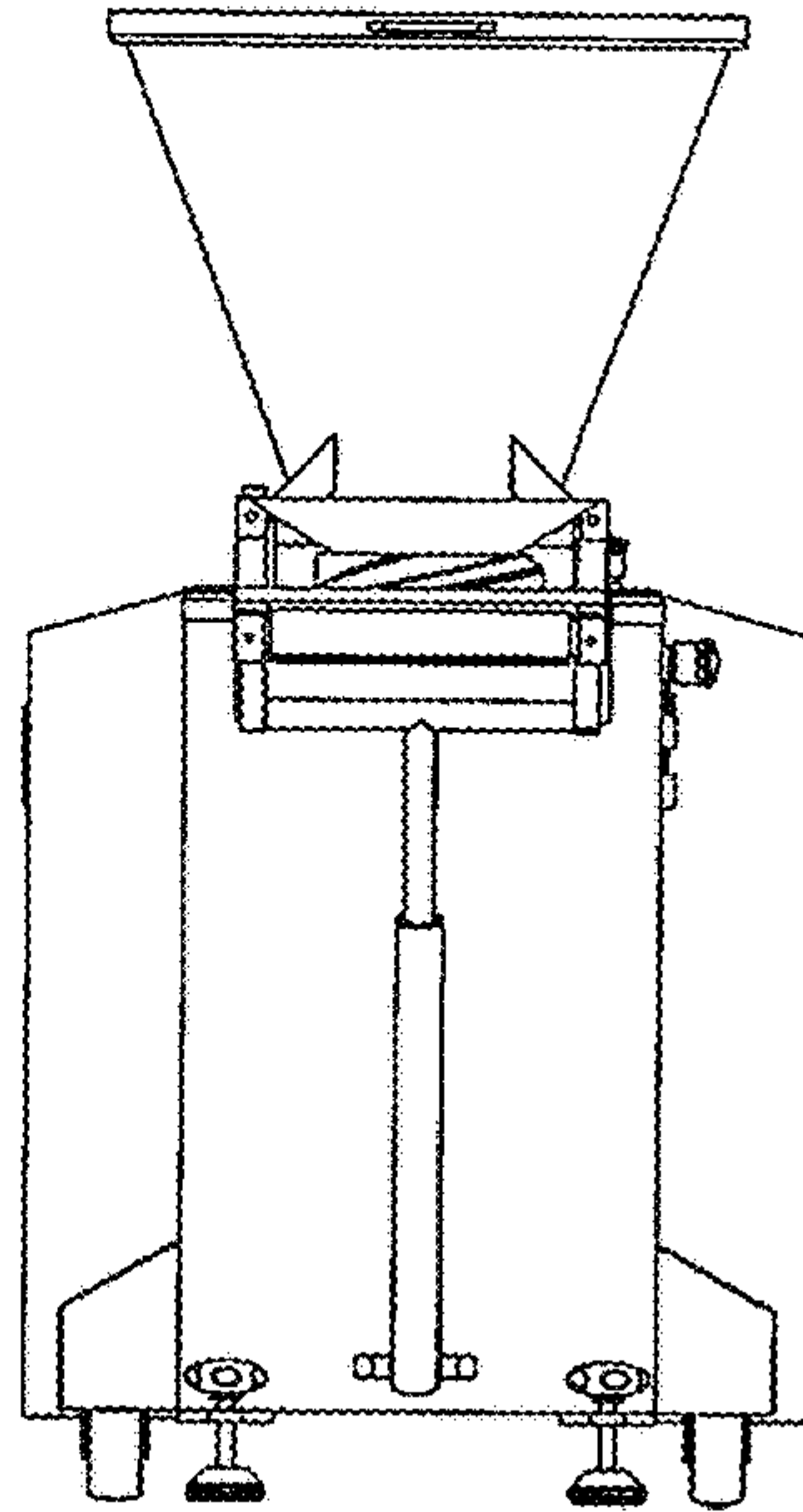


FIG. 5

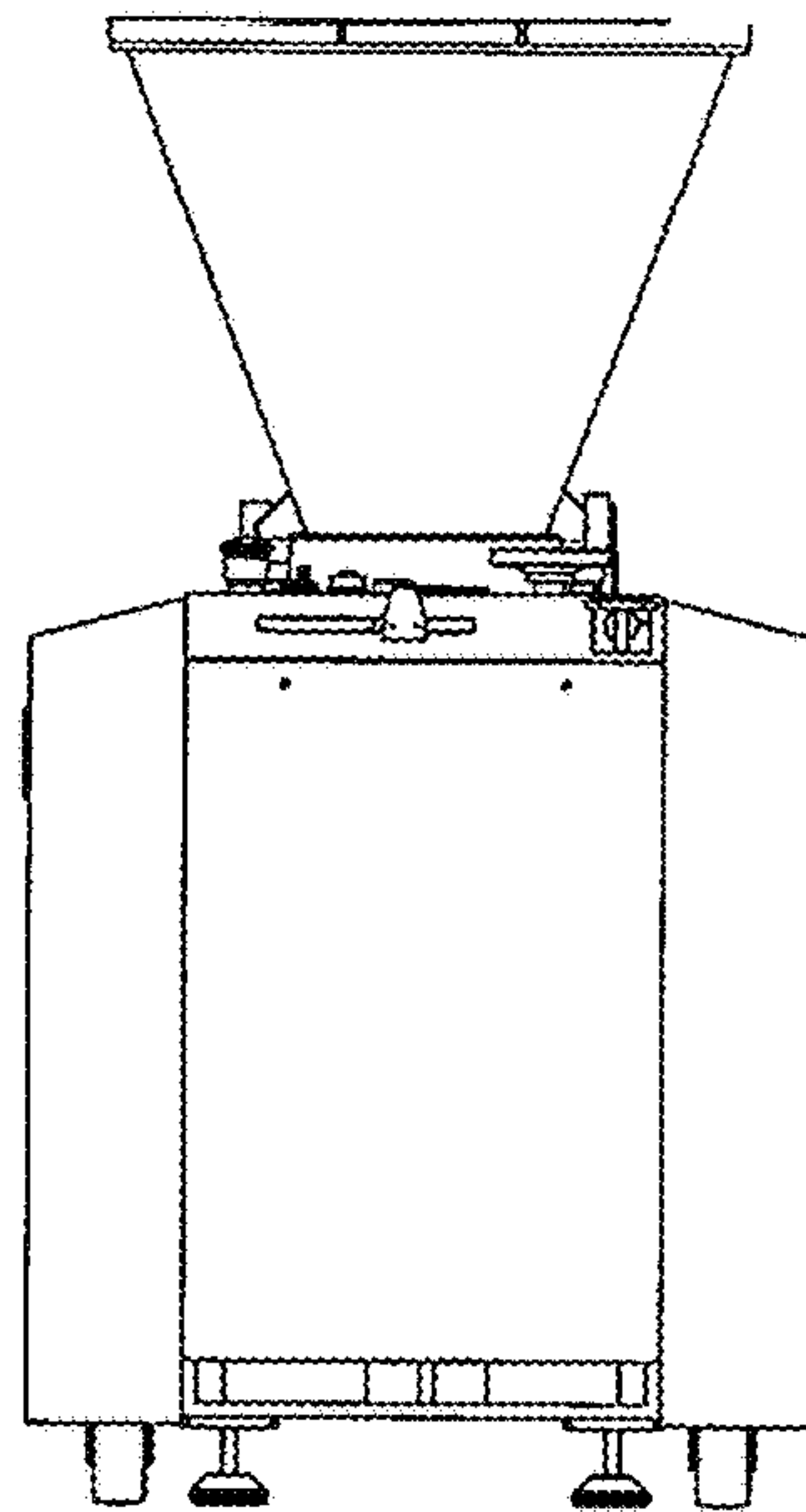


FIG. 6

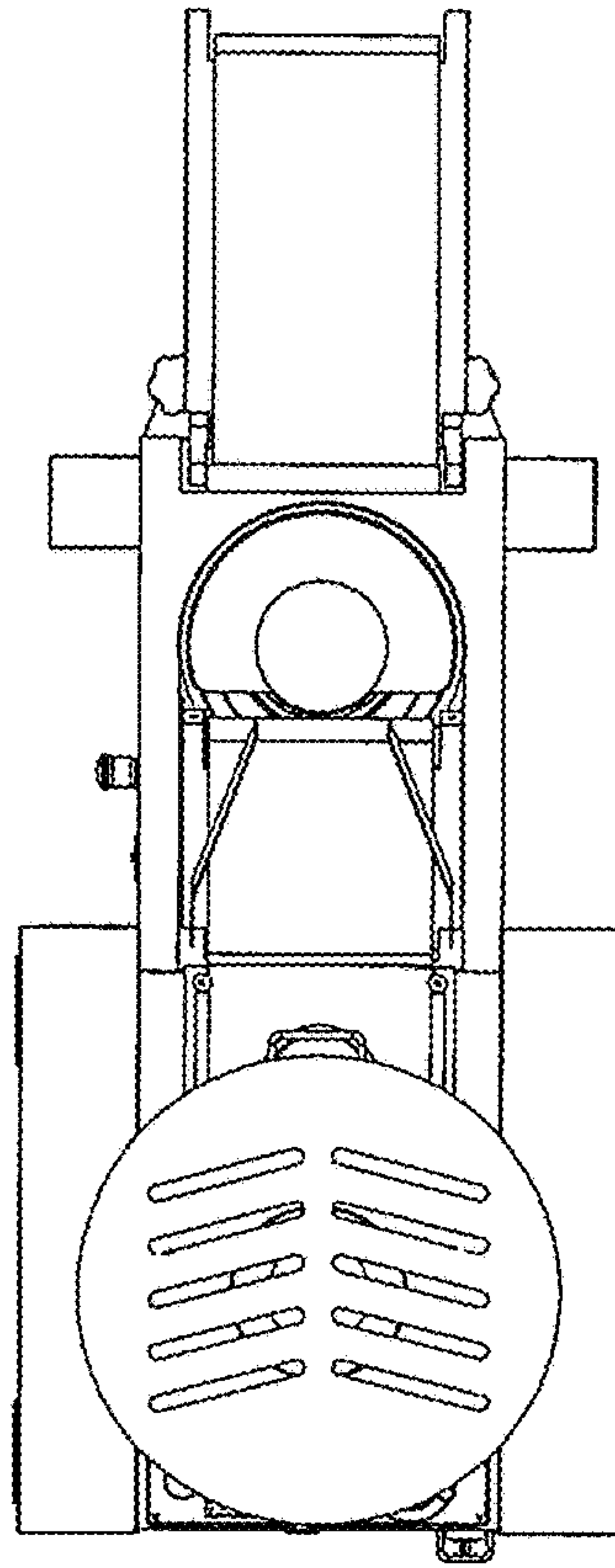


FIG. 7

