



US00D824208S

(12) **United States Design Patent** (10) **Patent No.:** **US D824,208 S**
Mirchandani et al. (45) **Date of Patent:** **** Jul. 31, 2018**

- (54) **FLAT PAN**
- (71) Applicant: **Tristar Products, Inc.**, Fairfield, NJ (US)
- (72) Inventors: **Keith Mirchandani**, Fairfield, NJ (US); **James Mitrik**, Fairfield, NJ (US); **Paul McGrath**, Fairfield, NJ (US)
- (73) Assignee: **Tristar Products, Inc.**, Fairfield, NJ (US)
- (**) Term: **15 Years**
- (21) Appl. No.: **29/584,936**
- (22) Filed: **Nov. 18, 2016**
- (51) **LOC (11) Cl.** **07-02**
- (52) **U.S. Cl.**
USPC **D7/360**
- (58) **Field of Classification Search**
USPC D7/323, 332, 335-337, 354-355, D7/359-364, 387-388, 402, 407-409; D6/566; D19/90, 92
CPC .. A47J 36/22; A47J 37/00; A47J 37/04; A47J 37/041; A47J 37/042; A47J 37/06; A47J 37/0688; A47J 37/0694; A47J 37/07; A47J 37/0704; A47J 37/10; A47J 37/1295; A47J 45/071; A47J 45/20; A47J 2037/00; A47J 2037/06; A47J 2037/0611; A47J 2037/07; A47J 2037/0786; A47J 2037/0795
See application file for complete search history.

(56) **References Cited**
U.S. PATENT DOCUMENTS

1,342,444 A	6/1920	Howe	
D248,142 S	6/1978	Greger	
D268,981 S *	5/1983	Monson	426/243
D282,042 S *	1/1986	Gallagher	D7/554.3
D288,396 S *	2/1987	Ritman	D7/554.3
D400,404 S *	11/1998	Indekeu	D3/304
6,065,394 A	5/2000	Gelderman	

D434,606 S *	12/2000	Reames	D7/552.1
D503,066 S	3/2005	Militi	
D614,445 S	4/2010	Ferron et al.	
8,137,723 B1 *	3/2012	Blount	A47J 37/01 426/523
D685,265 S *	7/2013	Turvey	D9/435
D696,060 S	12/2013	Schleinker	

(Continued)

FOREIGN PATENT DOCUMENTS

CN	301355624-CN	9/2010
EP	001112353-0001	5/2009
EP	001610098-0001	10/2009

OTHER PUBLICATIONS

Copper Chef 12 Inch Grill and Griddle, posted at Amazon.com, posted on Feb. 16, 2017, site visited Sep. 5, 2017, <<https://www.amazon.com/Copper-Chef-Inch-Grill-Griddle/dp/B06W9L4HZK>>.*

(Continued)

Primary Examiner — Barbara Fox
Assistant Examiner — Messina L Smith
(74) *Attorney, Agent, or Firm* — Adler Pollock & Sheehan P.C.; Daniel J. Holmader, Esq.

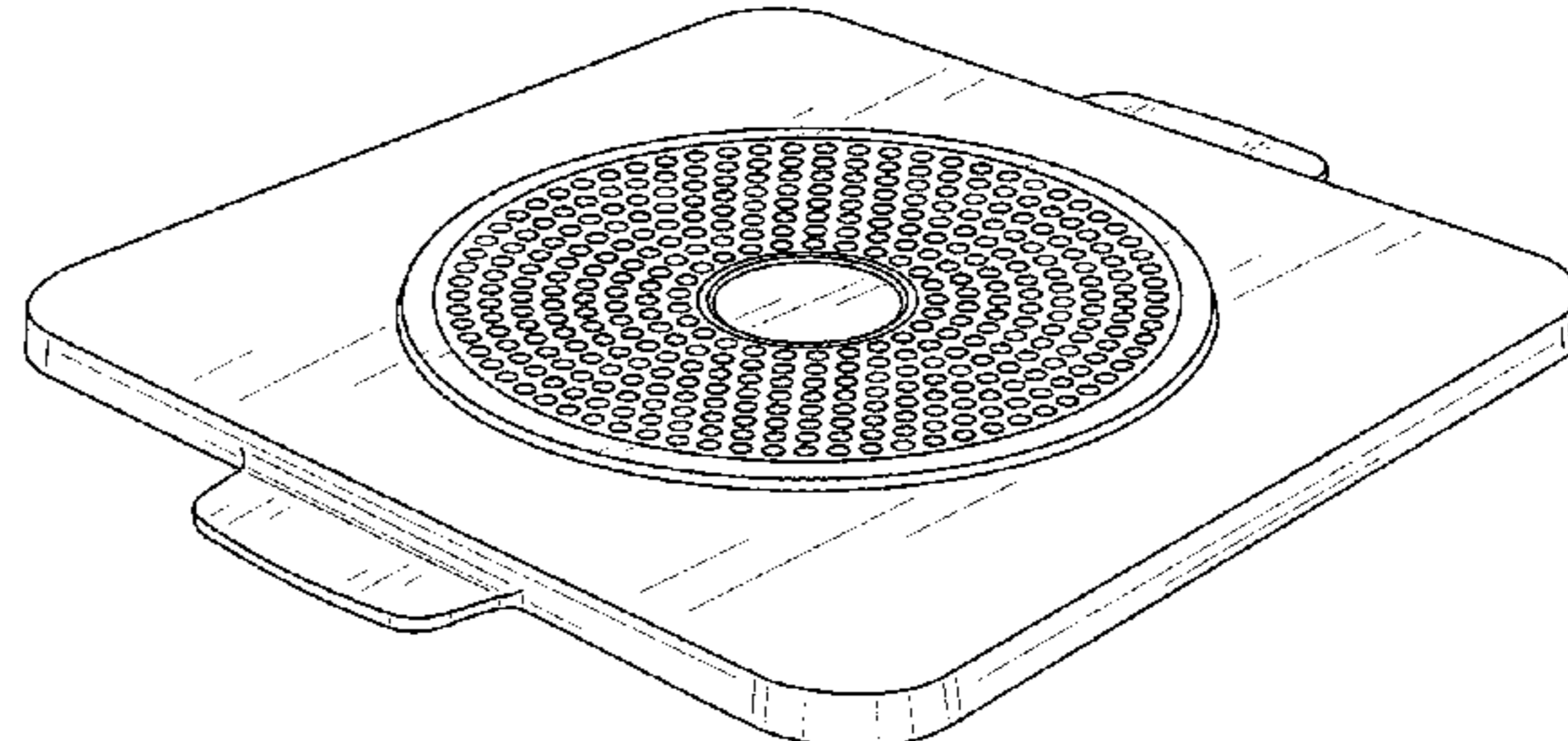
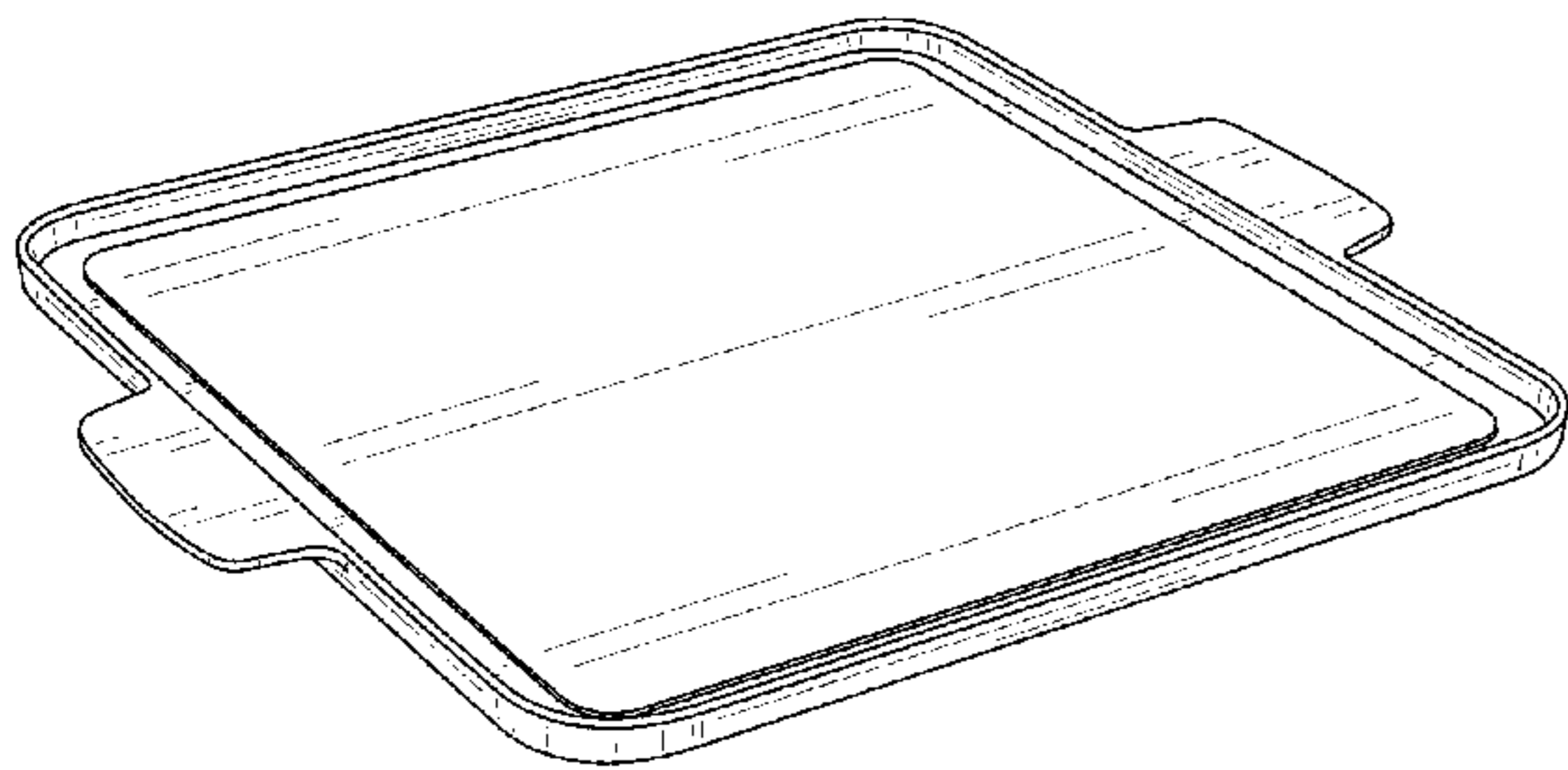
(57) **CLAIM**

The ornamental design for a flat pan, as shown and described.

DESCRIPTION

FIG. 1 is a top perspective view of a flat pan showing the new design;
FIG. 2 is a top view thereof;
FIG. 3 is a bottom view thereof;
FIG. 4 is a front view thereof;
FIG. 5 is a rear view thereof;
FIG. 6 is a left side view thereof;
FIG. 7 is a right side view thereof; and,
FIG. 8 is a bottom perspective view thereof.

1 Claim, 6 Drawing Sheets



(56)

References Cited

U.S. PATENT DOCUMENTS

D700,003 S * 2/2014 Lagsdin D7/354
D709,727 S 7/2014 Cloutier et al.
D734,987 S 7/2015 Coats
D774,831 S * 12/2016 Gebhardt D7/554.3
2005/0211106 A1 9/2005 Dierkes
2012/0037639 A1* 2/2012 Gotsis A47J 37/10
220/573.4
2012/0318256 A1 12/2012 Chilton et al.
2016/0106261 A1* 4/2016 Cloutier A47J 37/0694
99/425
2017/0042375 A1* 2/2017 Tingley A47J 37/01

OTHER PUBLICATIONS

Posted at Copperchefgrill.com, posted on © 2016, site visited Sep. 5, 2017, <<http://copperchefgrill.com/>>.*

Grill & Griddle Set, posted at Copperchefcookware.com, posted on © 2017, site visited Sep. 5, 2017, <<http://copperchefcookware.com/grill-griddle-set>>.*

U.S. Trademark Reg. No. 5293153; Registration Date: Sep. 19, 2017; Gotham Steel, LLC.

* cited by examiner

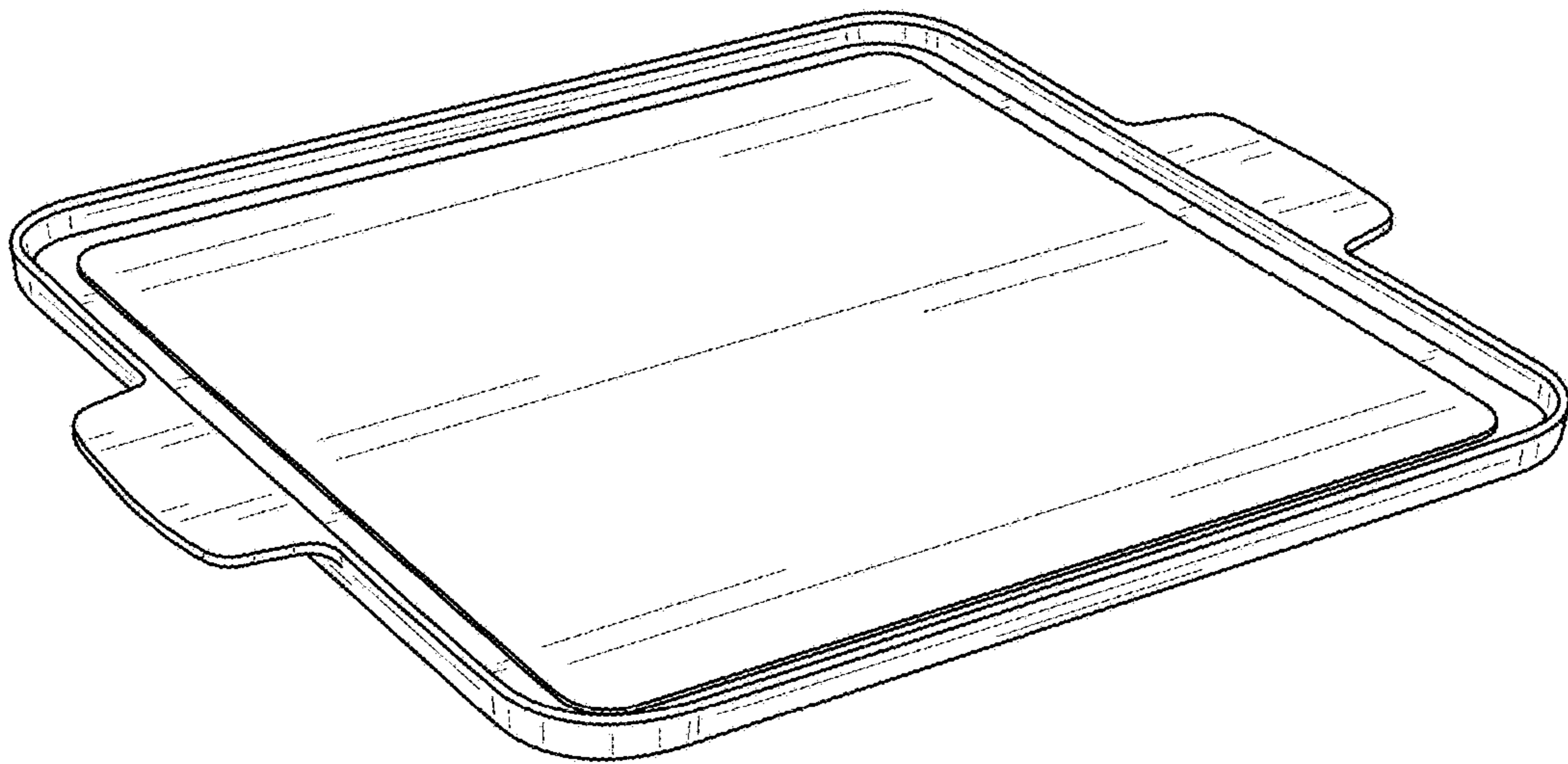


FIG. 1

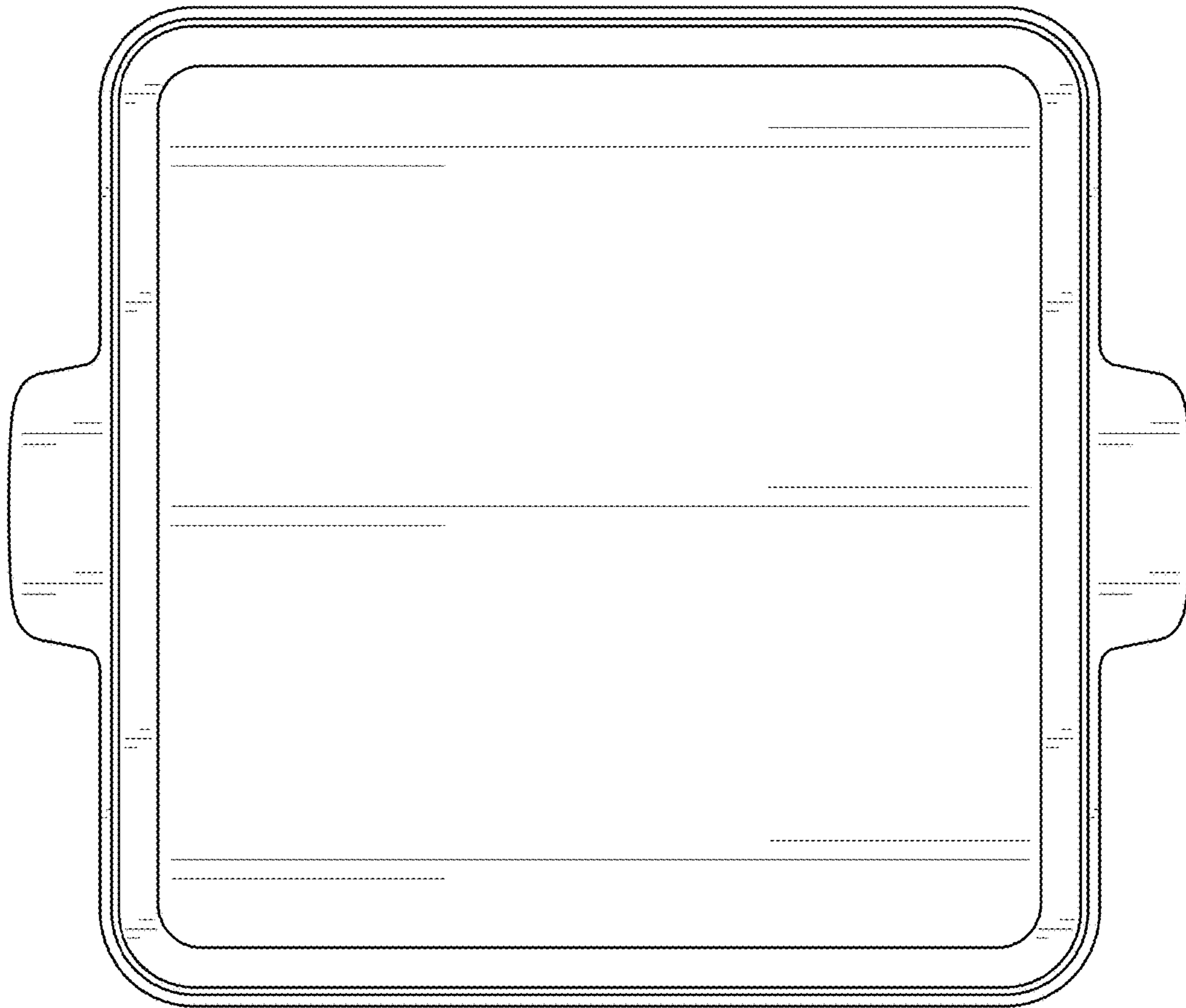


FIG. 2

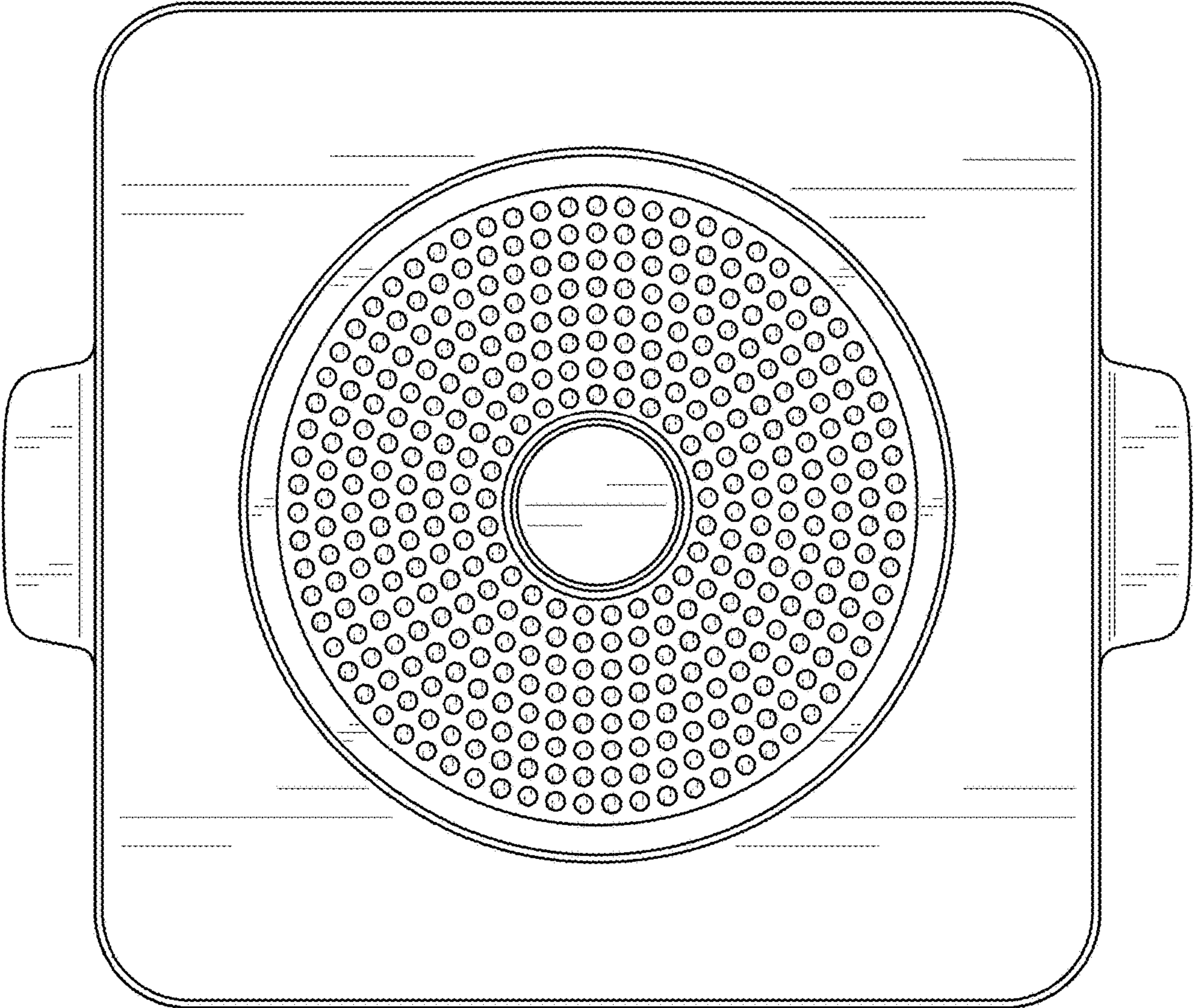


FIG. 3

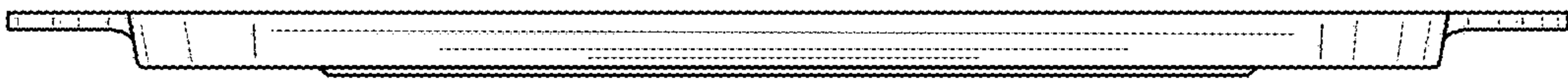


FIG. 4

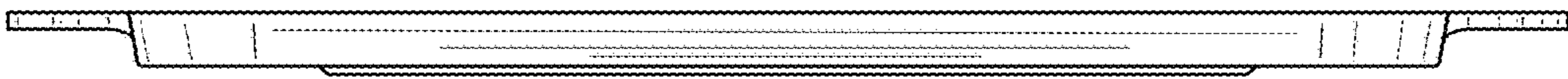


FIG. 5



FIG. 6

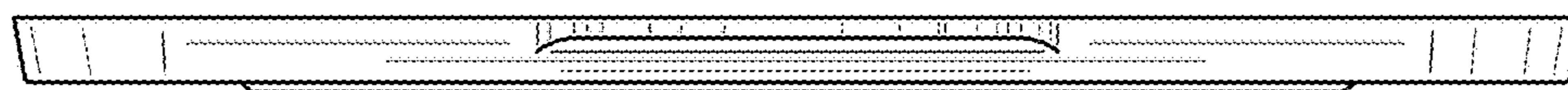


FIG. 7

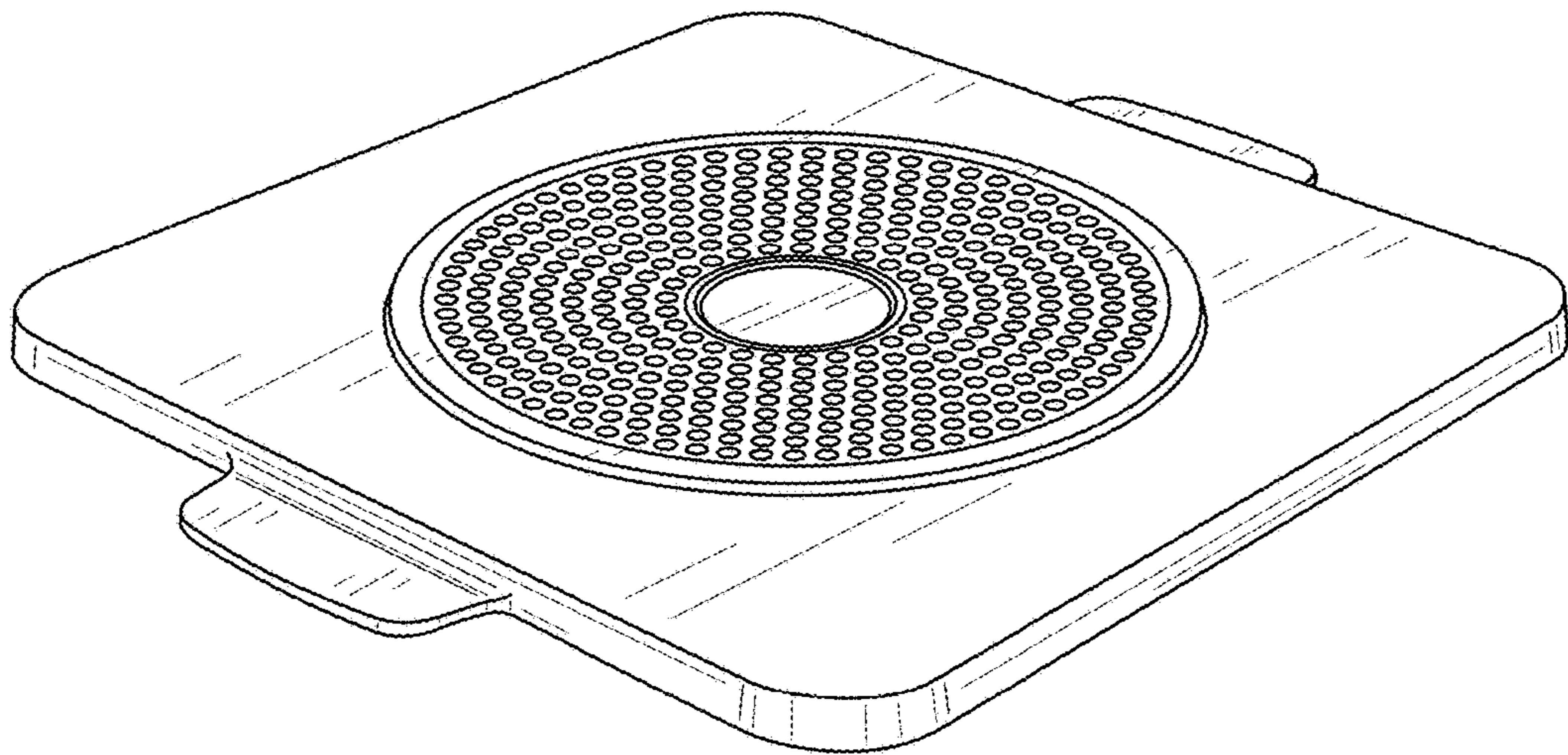


FIG. 8