



US00D824207S

(12) **United States Design Patent**
Lee

(10) **Patent No.:** **US D824,207 S**
(45) **Date of Patent:** **** Jul. 31, 2018**

(54) **COOKING PAN FOR USE IN HEATING COOKERS**

(71) Applicant: **Jin Hee Lee**, Seoul (KR)

(72) Inventor: **Jin Hee Lee**, Seoul (KR)

(**) Term: **15 Years**

(21) Appl. No.: **29/586,852**

(22) Filed: **Dec. 7, 2016**

(30) **Foreign Application Priority Data**

Jun. 15, 2016 (KR) 30-2016-0028921

(51) **LOC (11) Cl.** **07-02**

(52) **U.S. Cl.**
USPC **D7/359**

(58) **Field of Classification Search**
USPC D7/323, 337, 339-341, 352, 354-360,
D7/362-367, 393, 402-403, 407-411,
D7/601, 605
CPC A21B 1/06; A21B 1/50; A21B 1/52; A47J
37/04; A47J 37/06; A47J 37/015; A47J
37/067; A47J 37/0611; A47J 37/0629;
A47J 37/0676; A47J 37/108; F24C 7/06;
F24C 7/083; F24C 15/02; F24C 15/66;
H05B 3/20; H05B 3/40

See application file for complete search history.

(56) **References Cited**

U.S. PATENT DOCUMENTS

- 663,483 A * 12/1900 Betts A47J 37/0611
126/41 R
- 2,896,307 A * 7/1959 Whiteley H01J 19/00
313/348
- D219,320 S * 11/1970 Glaser D7/409
- 3,664,256 A * 5/1972 Peirce A47J 37/0676
99/425
- 3,908,534 A * 9/1975 Martin A47J 37/108
99/415

- D357,385 S * 4/1995 Addison D7/407
- D440,490 S * 4/2001 Lizzio D9/428
- D688,086 S * 8/2013 Lee D7/362
- D688,089 S * 8/2013 Lee D7/362
- D695,059 S * 12/2013 Mehler D7/354
- D699,514 S * 2/2014 Lovley, II D7/359
- D722,814 S * 2/2015 Heiberg D7/354
- D743,733 S * 11/2015 Lee D7/362
- D743,734 S * 11/2015 Lee D7/362
- D749,906 S * 2/2016 Lee D7/362
- D764,859 S * 8/2016 Lee D7/352
- D764,862 S * 8/2016 Lee D7/352

(Continued)

OTHER PUBLICATIONS

What is an Infrared Cooker?, posted at Smartkitchenpicks.com, posted on © 2017, site visited Oct. 12, 2017, <<http://smartkitchenpicks.com/what-is-an-infrared-cooker>>.*

(Continued)

Primary Examiner — Barbara Fox
Assistant Examiner — Messina L Smith
(74) *Attorney, Agent, or Firm* — Kile Park Reed & Houtteman PLLC

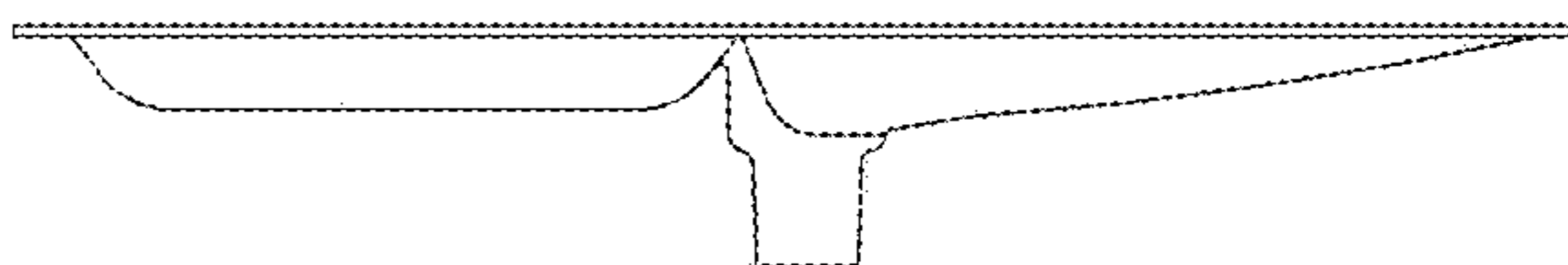
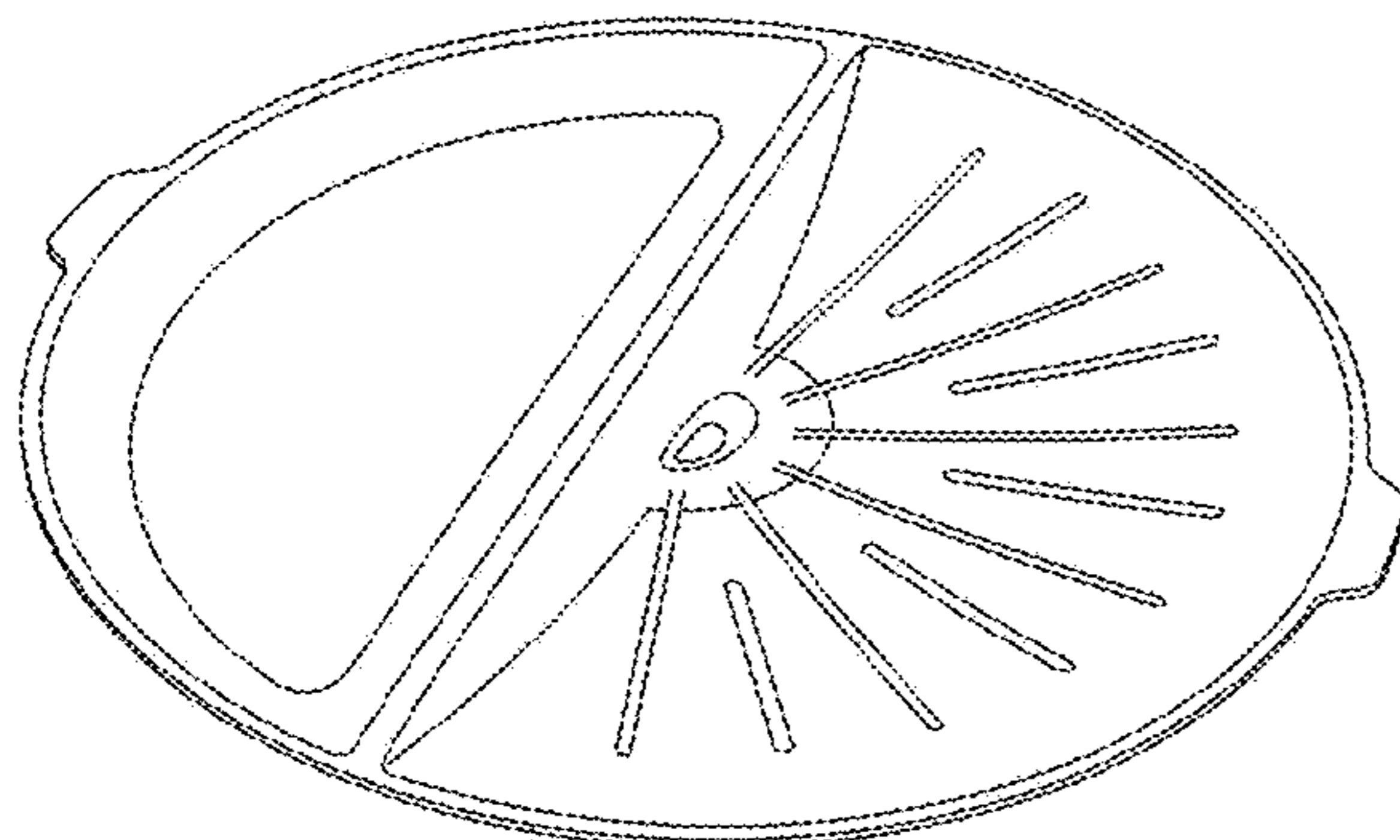
(57) **CLAIM**

I claim, the ornamental design for a cooking pan for use in heating cookers, as shown and described.

DESCRIPTION

FIG. 1 is a top and front perspective view of a cooking pan for use in heating cookers, showing my new design;
FIG. 2 is a front view thereof;
FIG. 3 is a rear view thereof;
FIG. 4 is a left side view thereof;
FIG. 5 is a right side view thereof;
FIG. 6 is a top view thereof; and,
FIG. 7 is a bottom view thereof.

1 Claim, 5 Drawing Sheets



(56)

References Cited

U.S. PATENT DOCUMENTS

D768,428 S * 10/2016 Lee D7/352
D769,057 S * 10/2016 Lee D7/352
D770,221 S * 11/2016 Lee D7/352
D778,104 S * 2/2017 Conlee D7/360
2012/0132083 A1 * 5/2012 Lee A47J 37/0605
99/357

OTHER PUBLICATIONS

Infrared Cooking BBQs, posted at Trendhunter.com, posted on Apr. 20, 2016, site visited Oct. 12, 2017, <<http://www.trendhunter.com/trends/smokeless-grill>>.*

3D smokeless electric grill infrared heat grill, posted at Amazon.com, posted on May 1, 2016, site visited Oct. 12, 2017, <<https://www.amazon.com/smokeless-electric-infrared-Non-stick-LY-005/dp/B01F0X7DKG>>.*

Gourmia GHG1600 Digital Halogen Powered Rotating Grill, posted at Amazon.com, posted on Oct. 30, 2016, site visited Oct. 12, 2017, <https://www.amazon.com/Gourmia-GHG1600-Rotating-Temperature-Functional/dp/B01MD0DFPP/ref=pd_sbs_79_t_0/156-6430571-2509523?_encoding=UTF8&psc=1&refRID=W7RWPkRC9AY6N3Q8K0T1>.*

* cited by examiner

FIG. 1

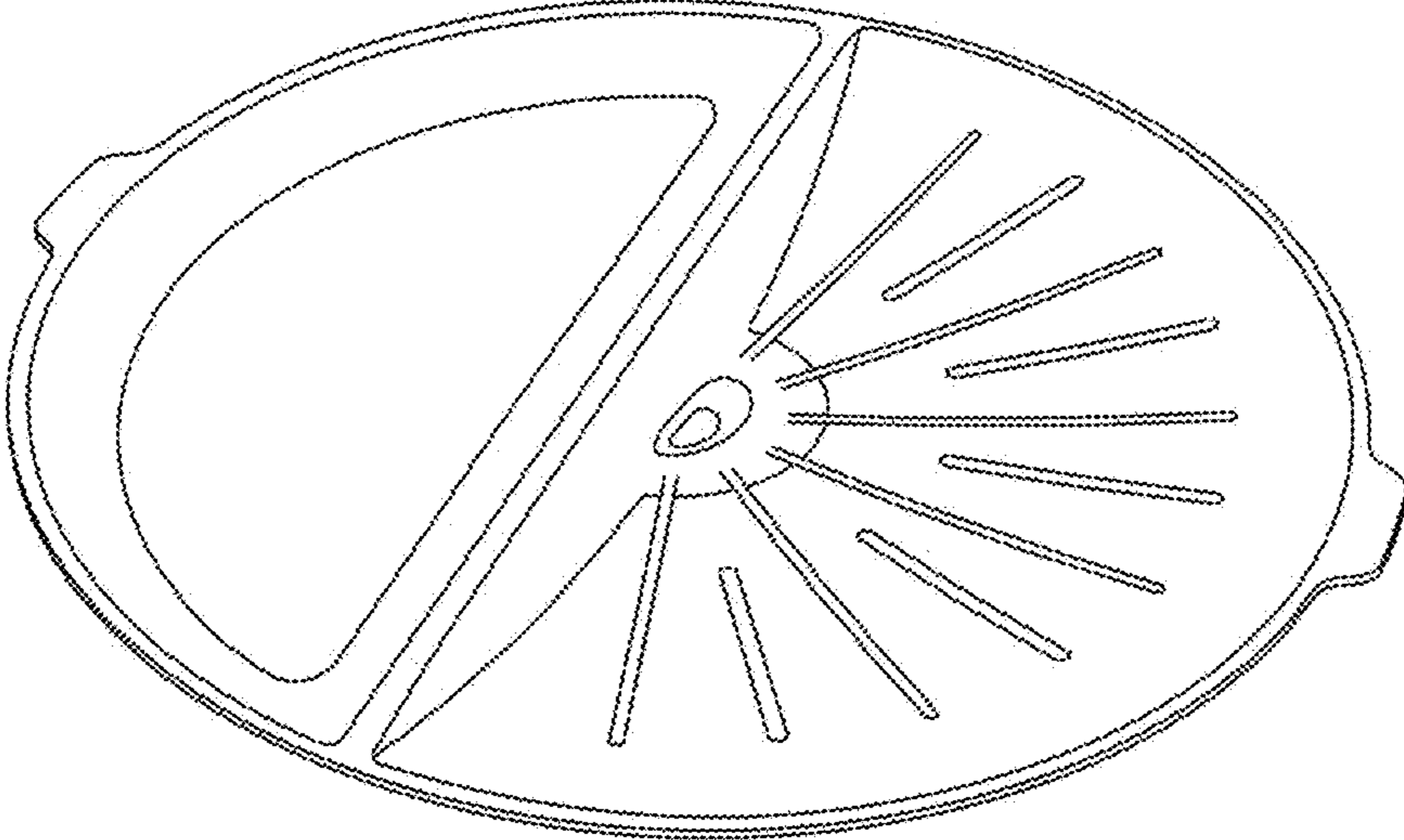


FIG. 2

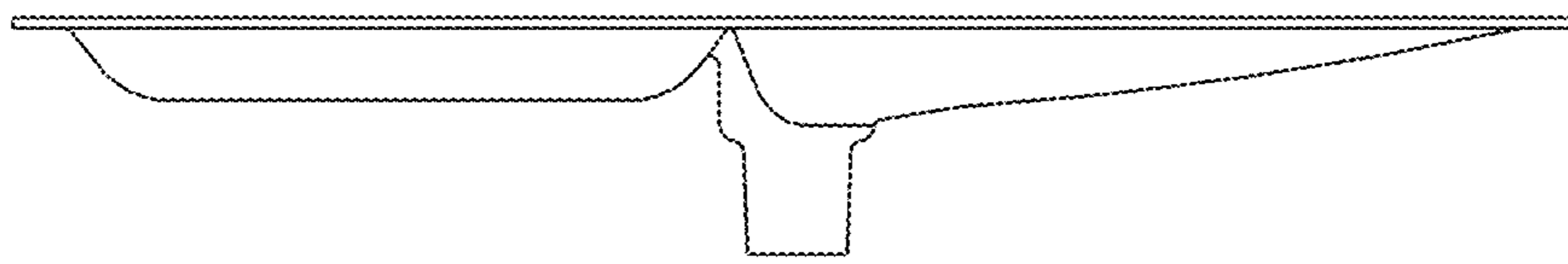


FIG. 3

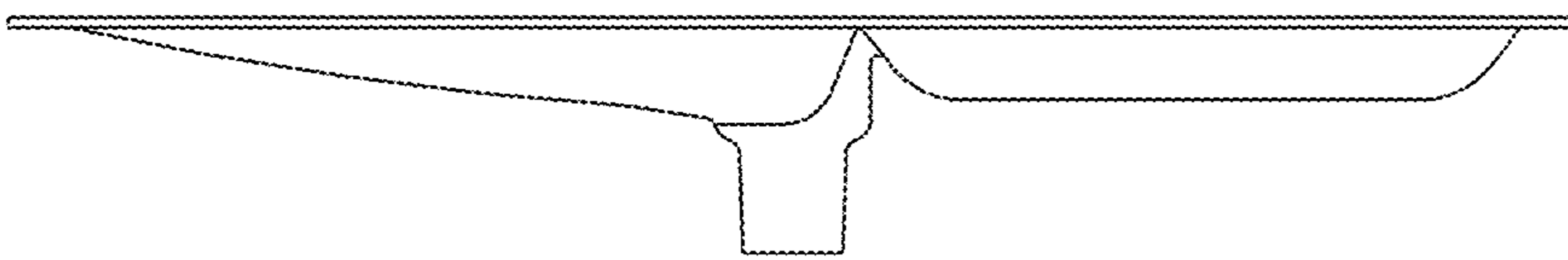


FIG. 4

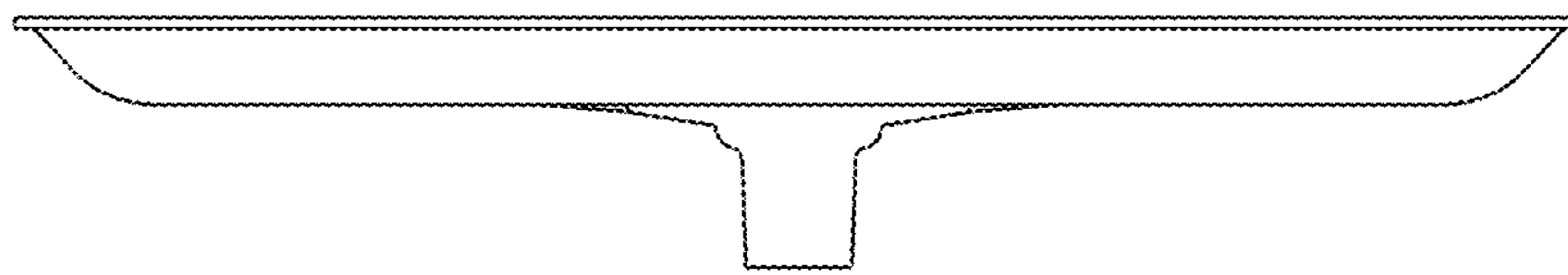


FIG. 5

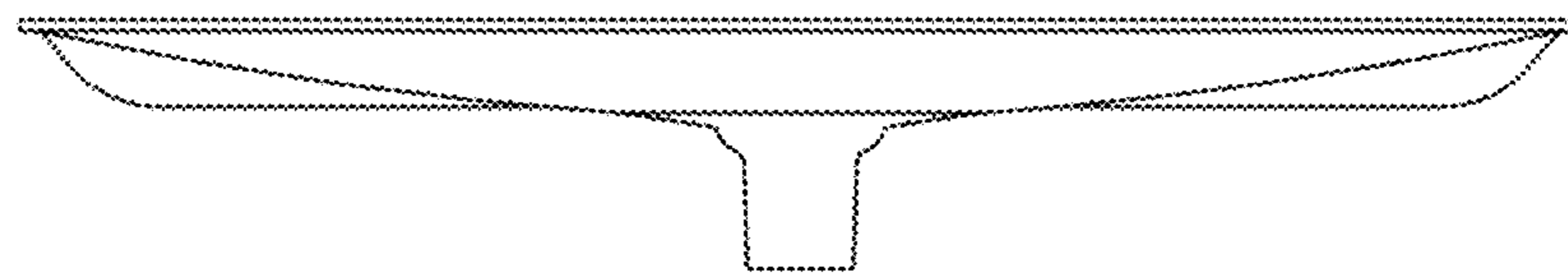


FIG. 6

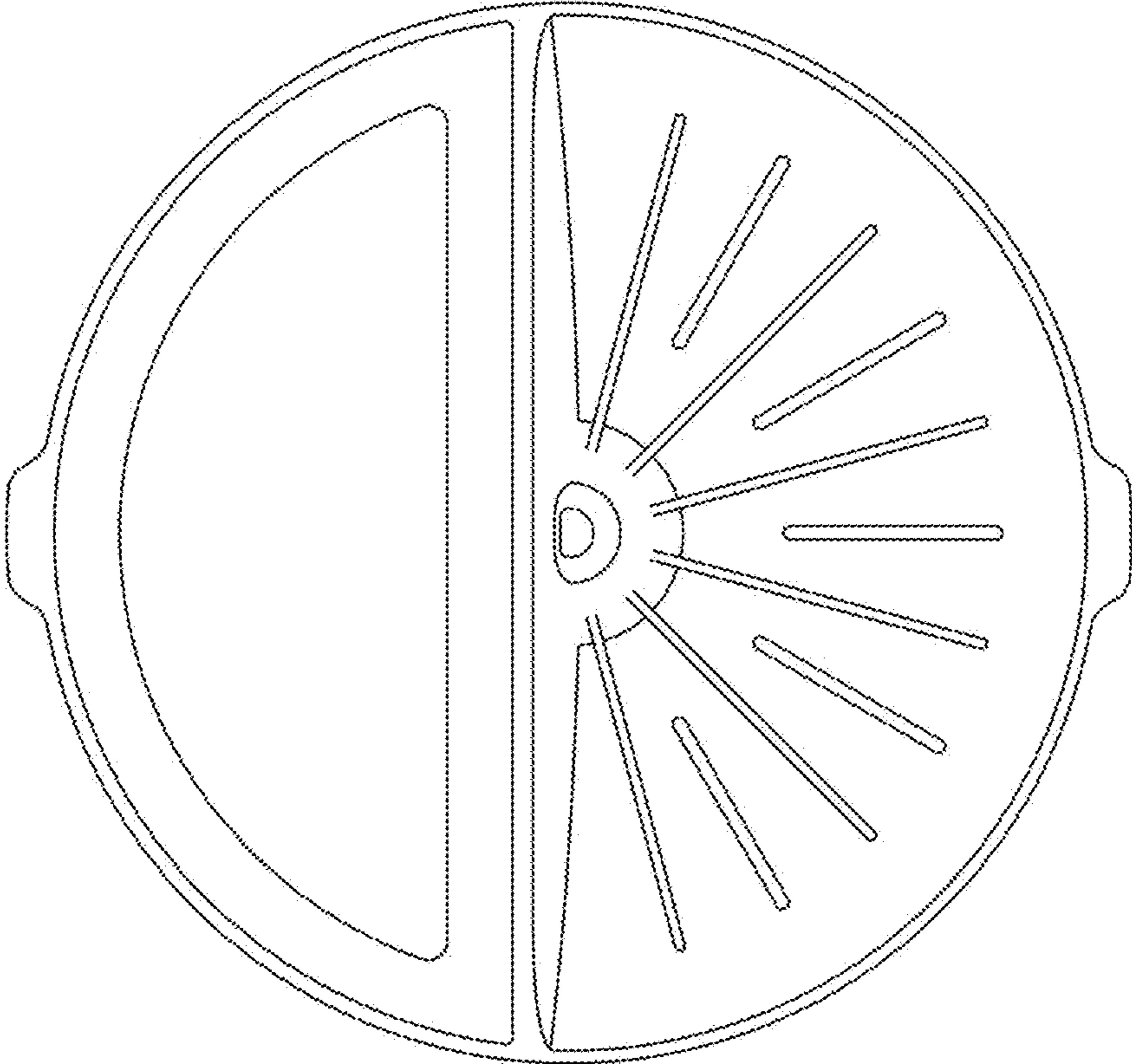


FIG. 7

