



US00D824203S

(12) **United States Design Patent** (10) **Patent No.:** **US D824,203 S**
Lee (45) **Date of Patent:** **** Jul. 31, 2018**

(54) **COOKING PAN**

(71) Applicant: **Jin Hee Lee**, Seoul (KR)

(72) Inventor: **Jin Hee Lee**, Seoul (KR)

(**) Term: **15 Years**

(21) Appl. No.: **29/564,941**

(22) Filed: **May 17, 2016**

(30) **Foreign Application Priority Data**

Nov. 19, 2015 (KR) 30-2015-0058271

(51) **LOC (11) Cl.** **07-02**

(52) **U.S. Cl.**
USPC **D7/359**

(58) **Field of Classification Search**
USPC D3/201, 202, 203.1, 270, 271.1, 304,
D3/315, 319; D7/323, 331, 353, 354,
D7/356, 357, 359, 390, 402, 409, 550.1,
D7/552.1, 553.1, 553.2, 553.7, 554.1,
D7/554.3, 554.4, 601; D6/553, 567, 570,
D6/571, 675, 677, 681, 683.1; D9/414,
D9/428, 430, 432, 436, 755, 759;
D12/163, 197, 415, 425; D21/524, 525,
D21/532; D23/260, 261, 268, 397;
D26/28; D28/61; D30/129, 130, 132,
D30/133

CPC A47G 19/12; A47J 27/00; A47J 27/002;
A47J 27/004; A47J 27/08; A47J 27/21;
A47J 27/58; A47J 35/025; A47J 45/061;
A47J 45/065; A47J 45/071; A47J 45/08;
A47J 29/00; A47J 29/02; A47J 29/04;
A47J 29/06; A47J 36/025; A45J 37/00;
A45J 37/10; A45J 37/101; A45J 37/103;
A45J 37/1204; A45J 37/0704; H05B
6/06; H05B 6/12; A01K 41/02; A01K
41/026; A01K 41/04; A23B 5/00; A23B
5/005; A23B 5/0052; B65D 11/02

See application file for complete search history.

(56) **References Cited**

U.S. PATENT DOCUMENTS

D2,549 S *	1/1867	Keller	D7/359
D75,432 S *	6/1928	Musselman	131/231
1,936,551 A *	11/1933	Garrison	A47J 37/10 99/339
D277,254 S *	1/1985	Matsuhisa	D7/359
D373,285 S *	9/1996	Coroama	D7/359
D376,723 S *	12/1996	Asner	D7/359
5,628,426 A *	5/1997	Doyle	A47J 27/022 220/608

(Continued)

Primary Examiner — Thomas Johannes

Assistant Examiner — Catherine S Posthauer

(74) *Attorney, Agent, or Firm* — Kile Park Reed & Houtteman PLLC

(57) **CLAIM**

I claim, the ornamental design for a cooking pan, as shown and described.

DESCRIPTION

FIG. 1 is a top and front perspective view of a cooking pan, showing my new design;

FIG. 2 is a front view thereof;

FIG. 3 is a rear view thereof;

FIG. 4 is a left side view thereof;

FIG. 5 is a right side view thereof;

FIG. 6 is a top plan view thereof;

FIG. 7 is a bottom plan view thereof; and,

FIG. 8 is an enlarged detail view of an oval aperture, taken from reference "8" on FIG. 1.

The shorter broken lines are shown for the purpose of illustrating parts of the article that form no part of the claim.

The longer dashed broken lines are shown for the purpose of designating the enlargement view of FIG. 8 and its origin reference on FIG. 1 and form no part of the claim.

1 Claim, 6 Drawing Sheets

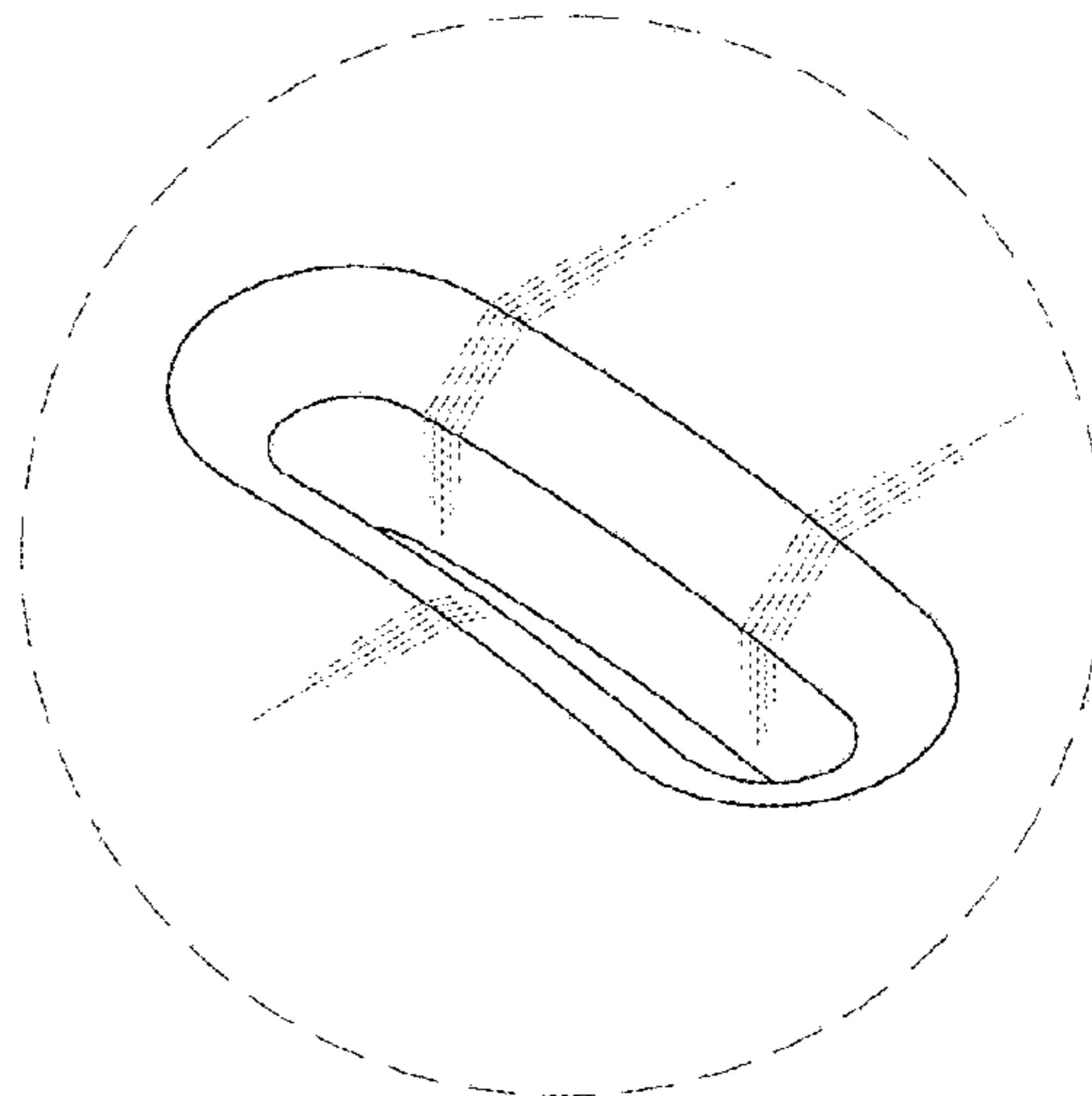
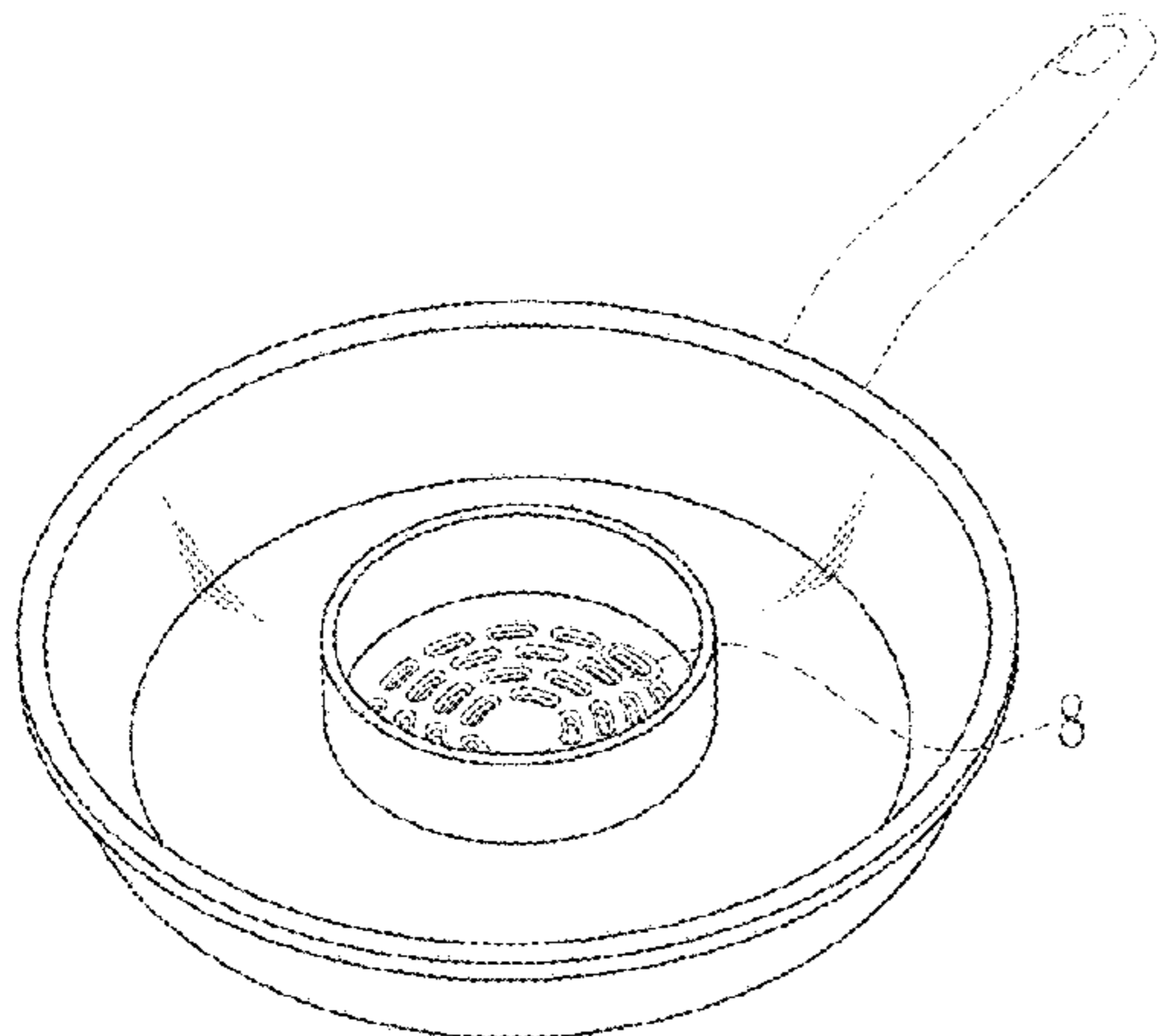


FIG. 1

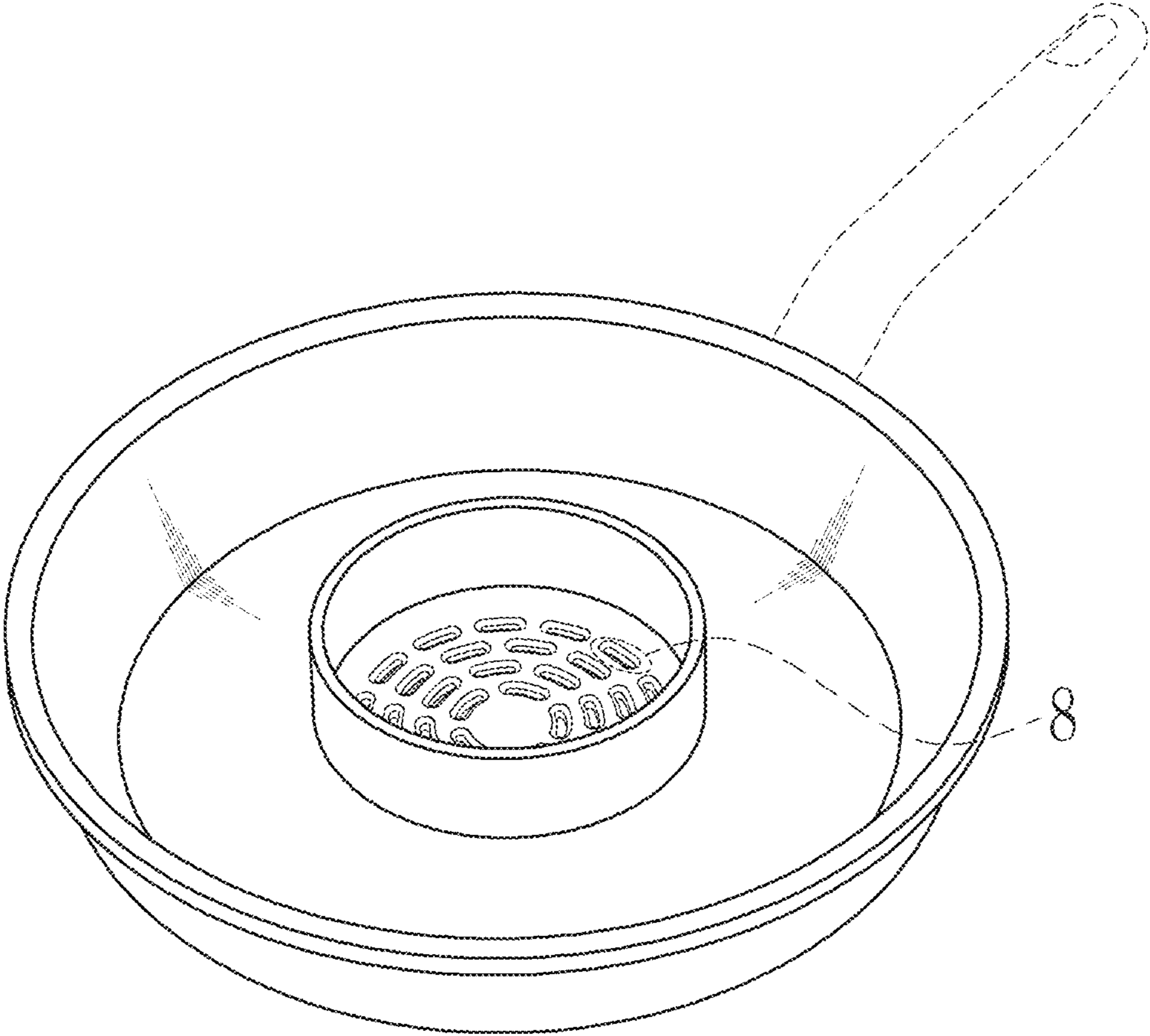


FIG. 2

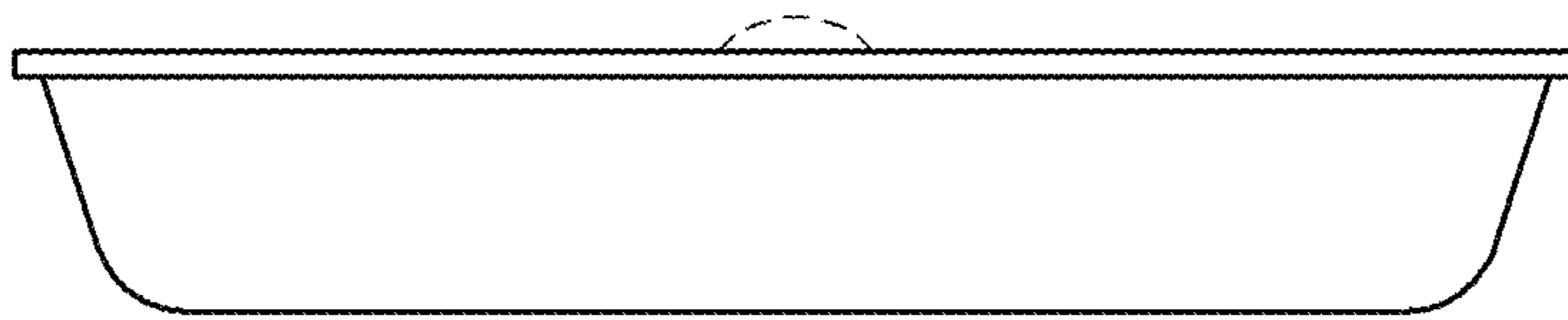


FIG. 3

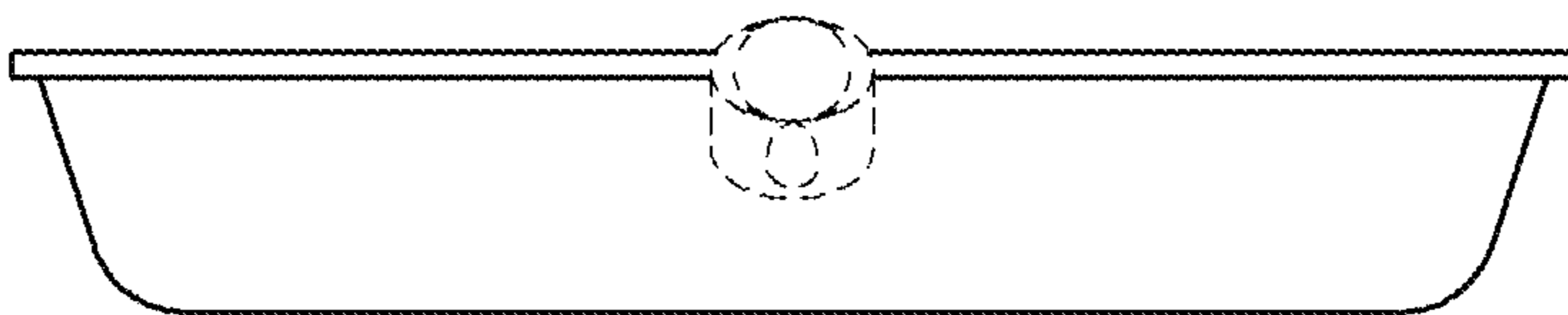


FIG. 4



FIG. 5

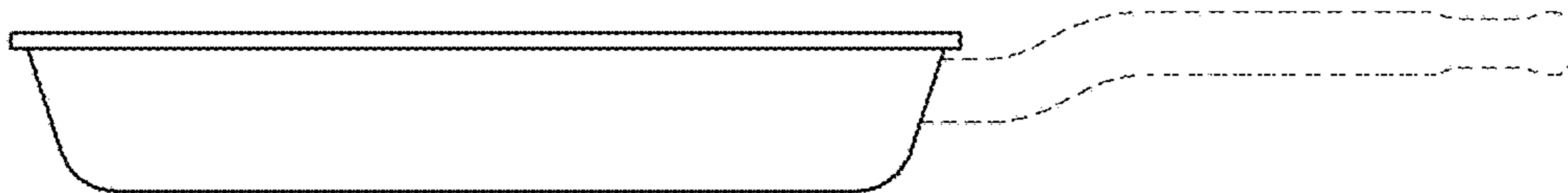


FIG. 6

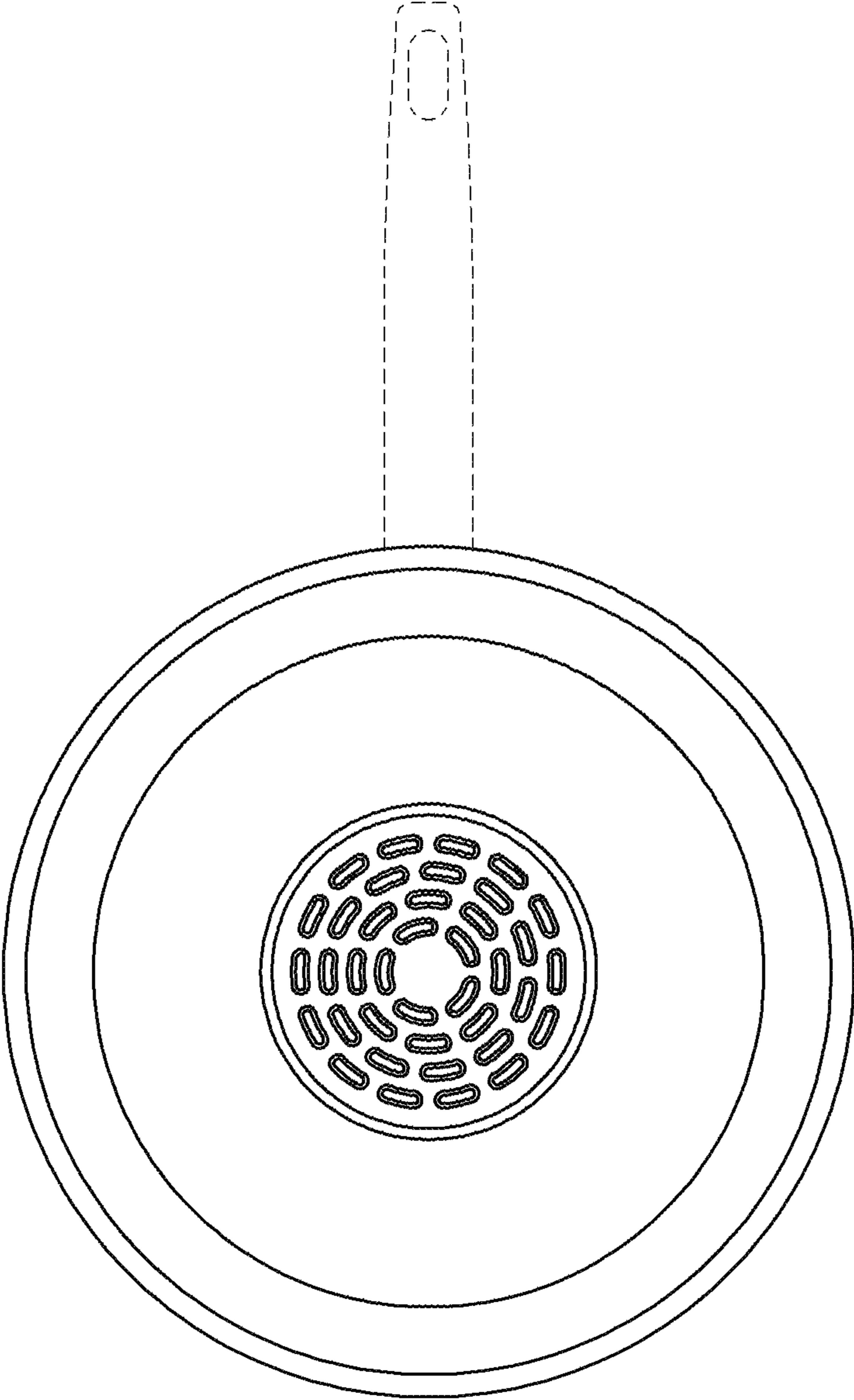


FIG. 7

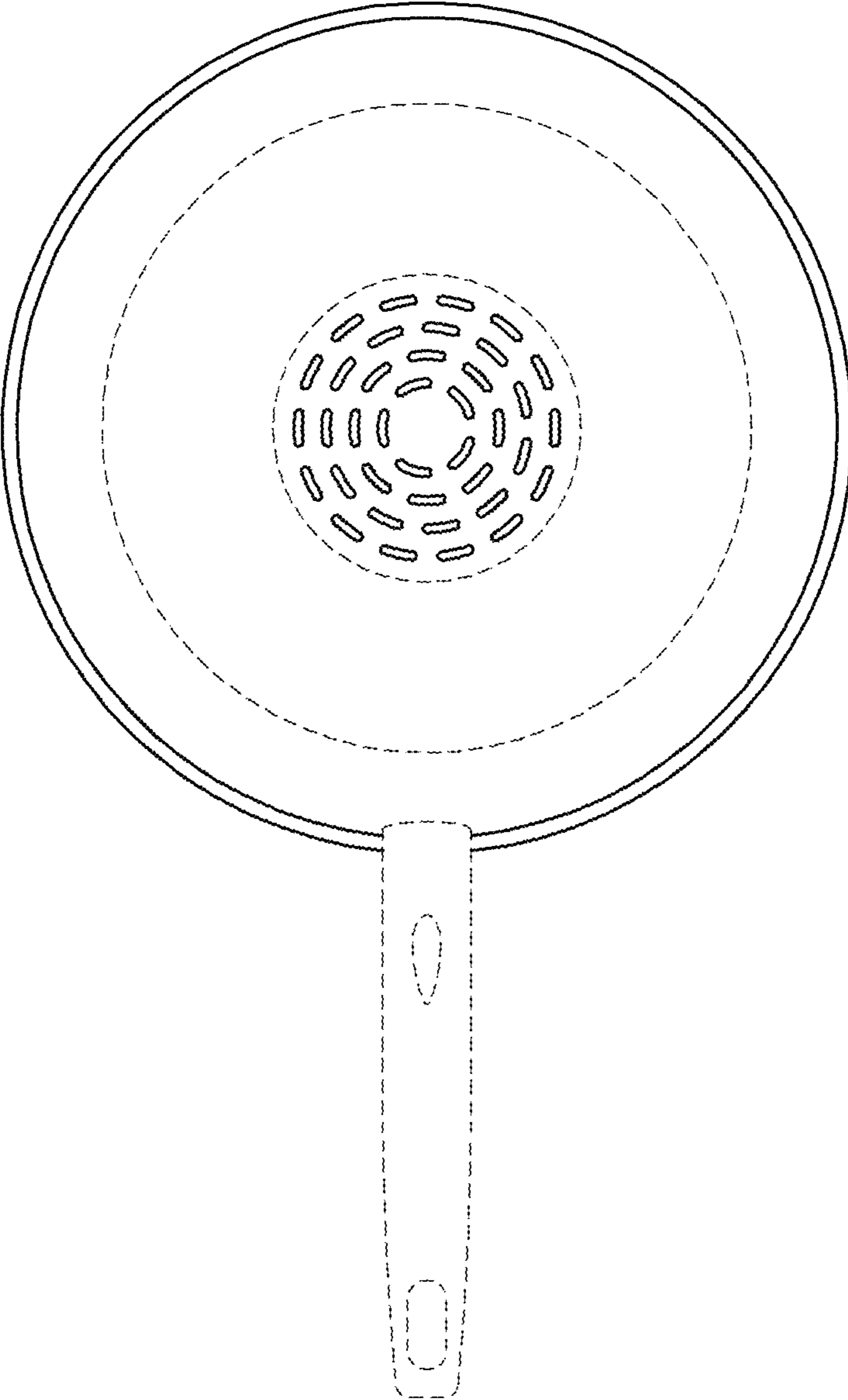


FIG. 8

