



US00D824200S

(12) **United States Design Patent**
Daniel

(10) **Patent No.:** **US D824,200 S**
(45) **Date of Patent:** **** Jul. 31, 2018**

- (54) **ROUND BAKING PAN**
- (71) Applicant: **RL RND and IP Holdings Limited,**
Ningbo (CN)
- (72) Inventor: **Aharon Roni Daniel,** Ningbo (CN)
- (73) Assignee: **RL RND AND IP HOLDINGS LIMITED,** Ningbo (CN)
- (**) Term: **15 Years**
- (21) Appl. No.: **29/615,189**
- (22) Filed: **Aug. 27, 2017**
- (51) **LOC (11) Cl.** **07-02**
- (52) **U.S. Cl.**
USPC **D7/354**
- (58) **Field of Classification Search**
USPC ... D7/323, 354-361, 396.1, 396.5, 543, 545,
D7/549, 550.1, 553.1-553.8, 554.1-554.4,
D7/555, 562, 570, 584-586;
D9/430-433, 455-456, 737, 756-762
CPC A21B 3/00; A21B 3/13; A21B 3/15; A21B
3/134; A21B 5/00; A21B 5/02; A47J
36/022; A47J 36/025; A47J 36/027; A47J
37/00; A47J 37/04; B65D 1/22; B65D
1/24; B65D 1/34; B65D 1/36; B65D
81/343; B65D 85/36
See application file for complete search history.

D519,317 S *	4/2006	Hayes	D7/396.5
D523,287 S *	6/2006	Hayes	D7/545
D525,083 S *	7/2006	Hayes	D7/554.2
D546,621 S *	7/2007	Hayes	D7/396.1
D551,911 S *	10/2007	Hayes	D7/396.5
D552,424 S *	10/2007	Hayes	D7/396.5
D559,035 S *	1/2008	Hayes	D7/396.1
D576,840 S *	9/2008	Hayes	D7/585
D646,931 S *	10/2011	Chen	D7/554.2
D648,976 S *	11/2011	Thurlow	D7/354
2004/0074902 A1 *	4/2004	Hayes	B65D 1/34 220/4.21

* cited by examiner

Primary Examiner — Ricky Pham

(74) Attorney, Agent, or Firm — Mark M. Friedman

(57) **CLAIM**

The ornamental design for a round baking pan, as shown and described.

DESCRIPTION

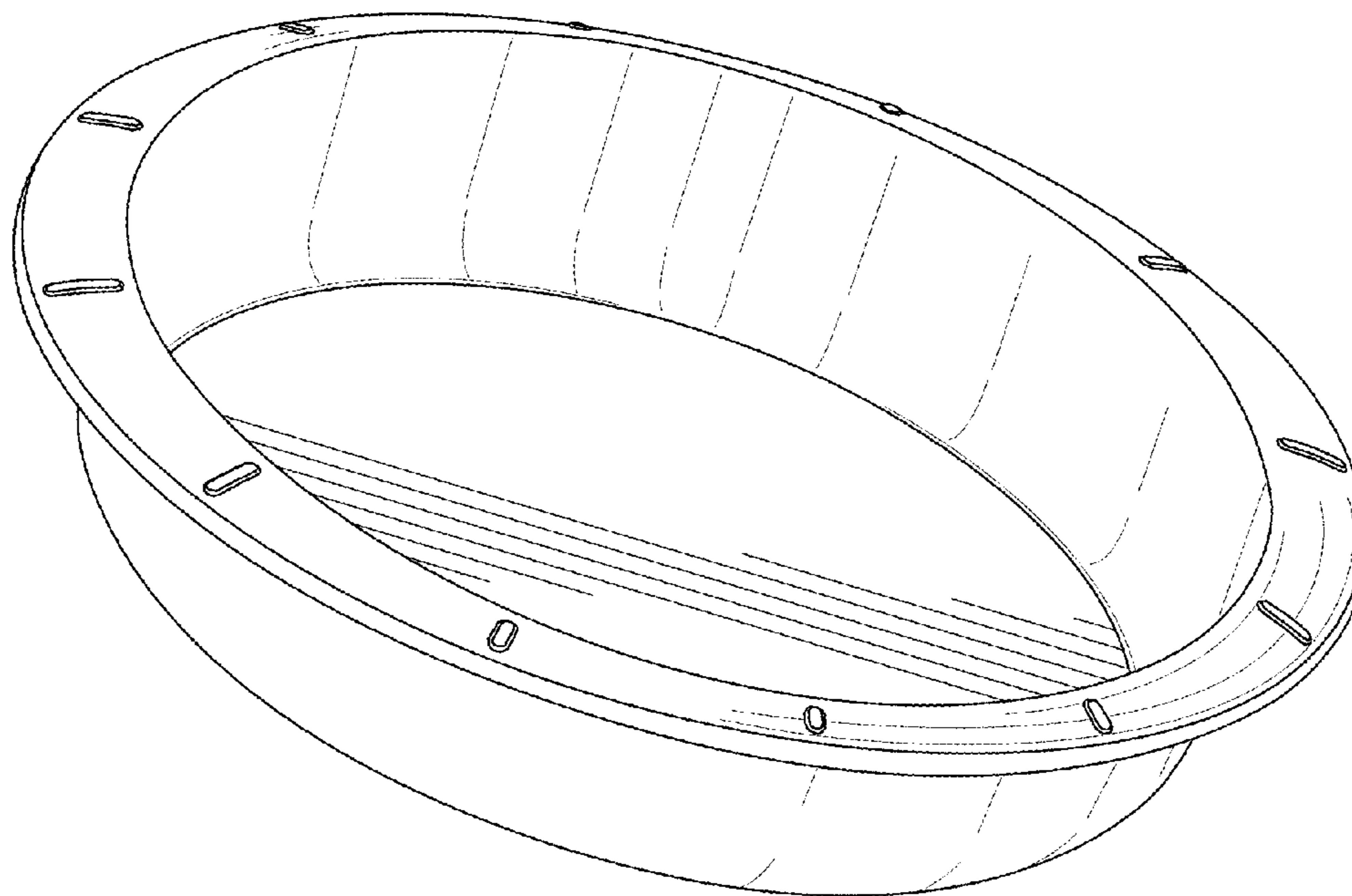
FIG. 1 is a top view of a round baking pan showing my design;
 FIG. 2 is a bottom view thereof;
 FIG. 3 is a front side view thereof;
 FIG. 4 is a right side view thereof; and,
 FIG. 5 is a perspective view thereof.
 The rear view is a mirror image of the front side.
 The left side view is a mirror image of the right side.

1 Claim, 5 Drawing Sheets

(56) **References Cited**

U.S. PATENT DOCUMENTS

D404,258 S *	1/1999	Indekeu	D7/545
D424,934 S *	5/2000	McCann	D7/562



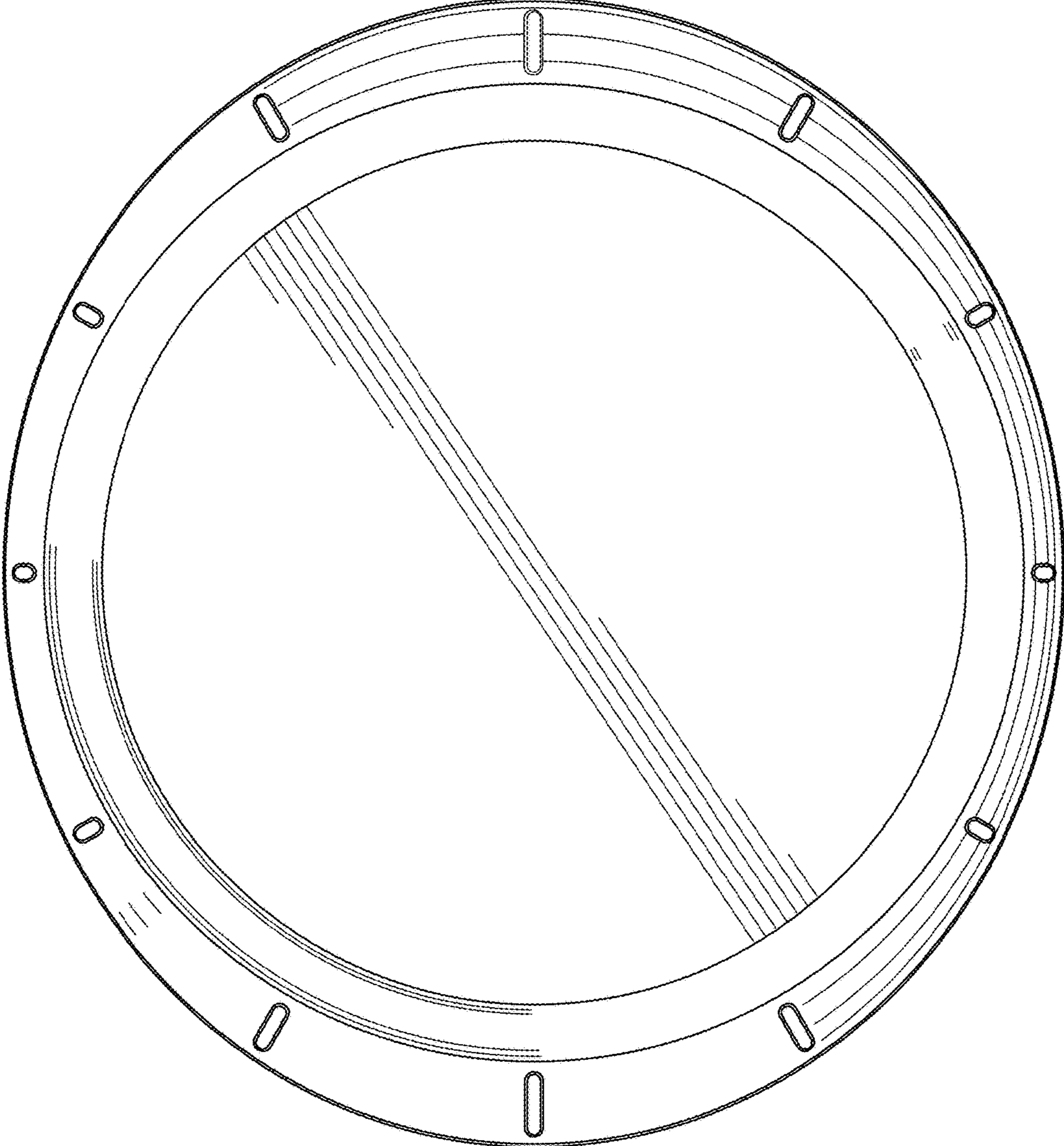


FIG. 1

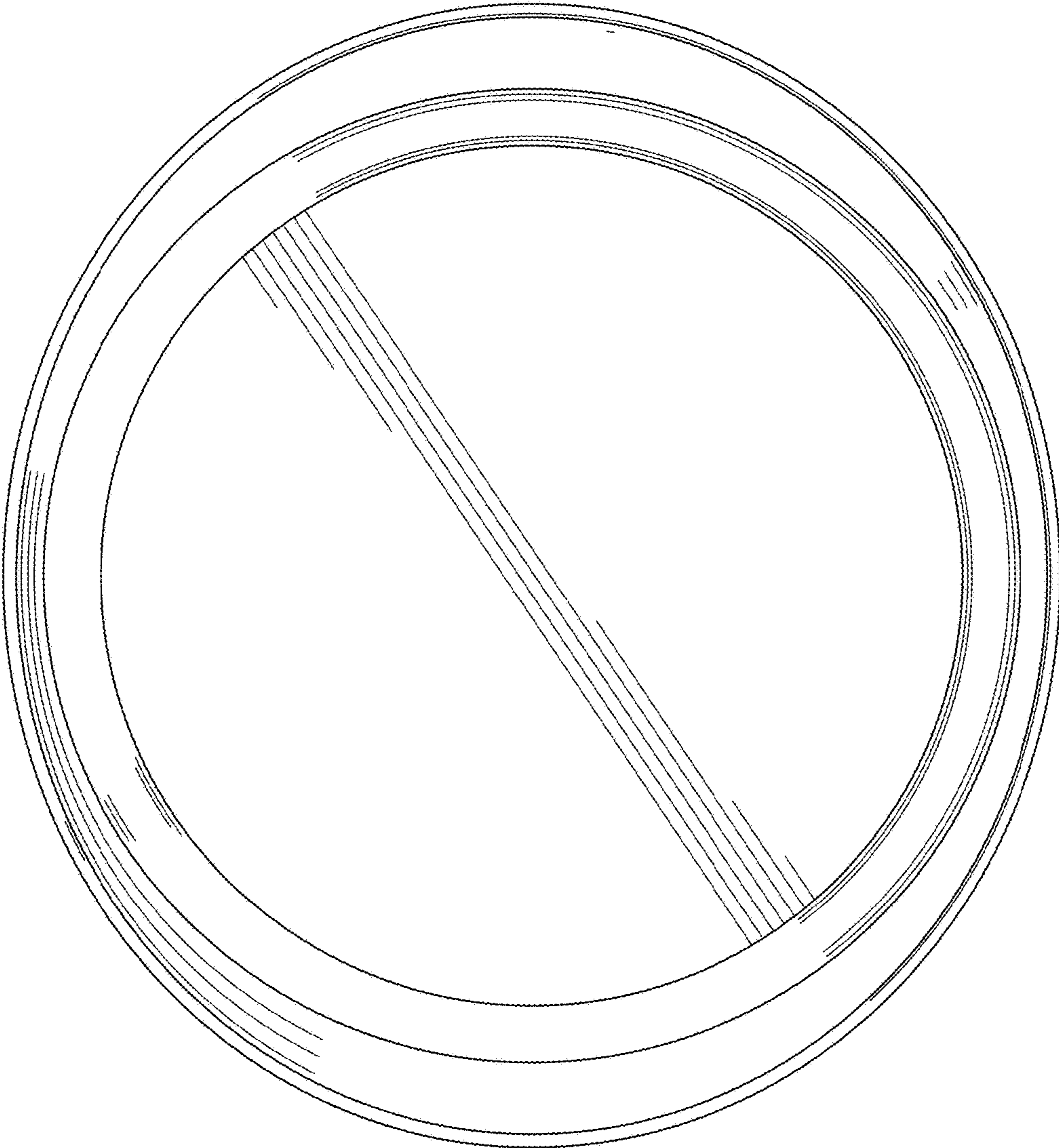


FIG. 2

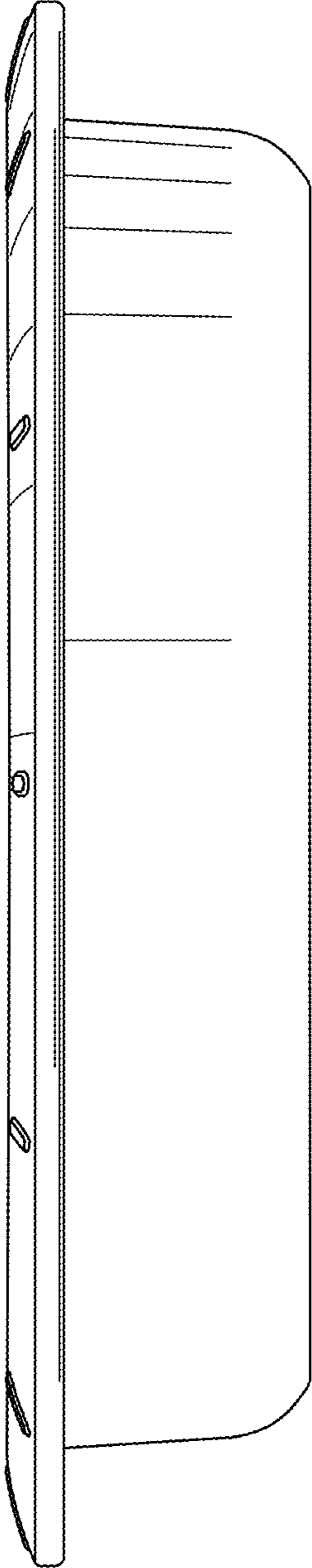


FIG. 3

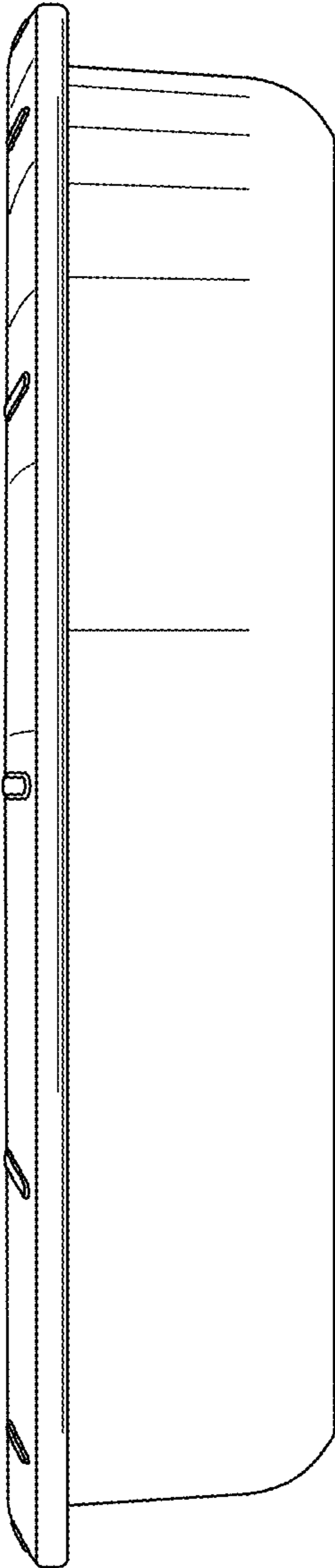


FIG. 4

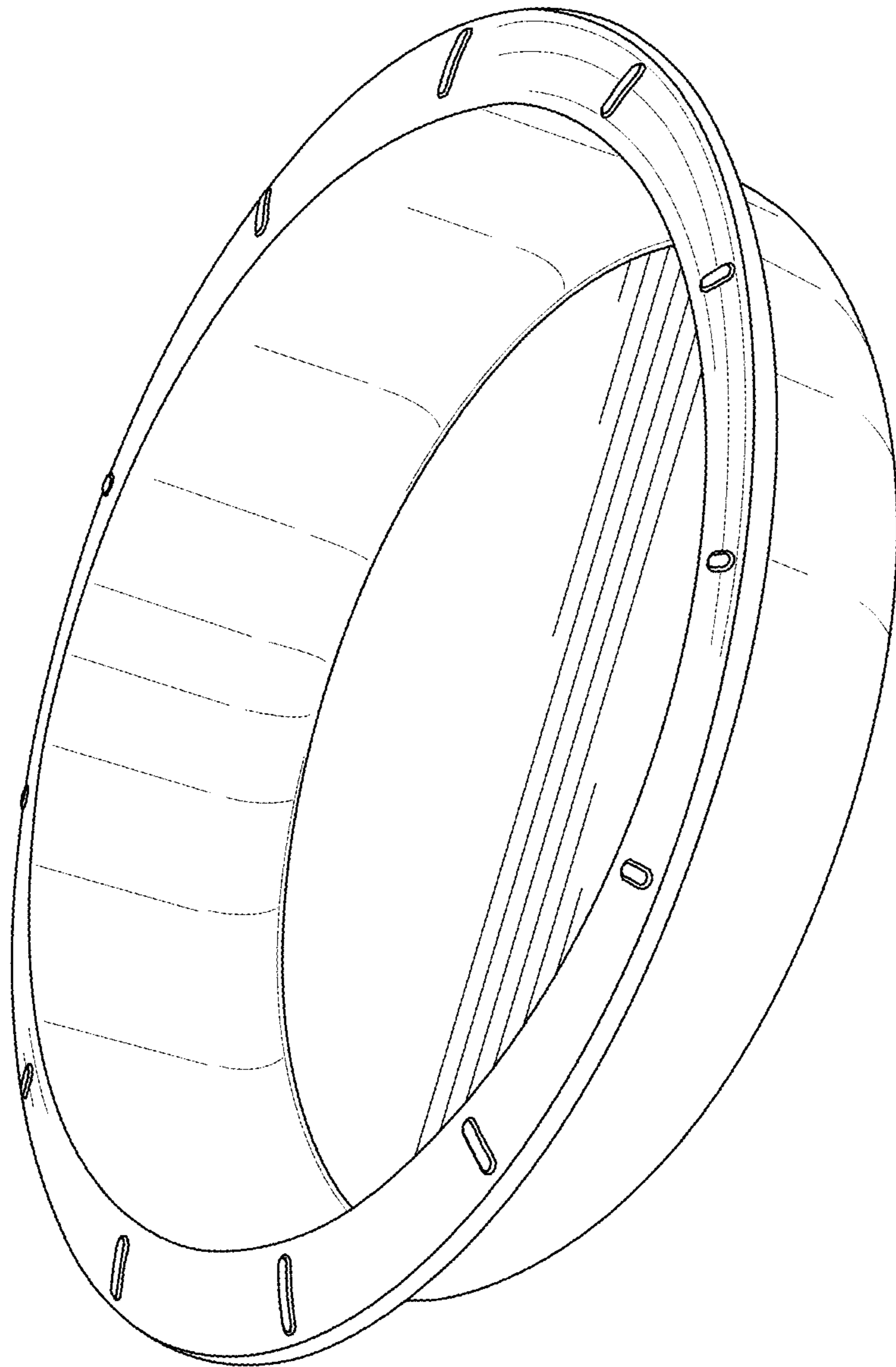


FIG. 5