



US00D824196S

(12) **United States Design Patent**
Shin et al.

(10) **Patent No.:** **US D824,196 S**
(45) **Date of Patent:** **** Jul. 31, 2018**

(54) **BEER MAKING APPARATUS**

6,629,490	B1 *	10/2003	Lu	B01D 1/0017
					99/276
D518,677	S *	4/2006	Van Berlo	D7/306
D573,392	S *	7/2008	Smith	D7/306
7,963,213	B1 *	6/2011	Murdock	C12C 13/10
					99/322
D694,055	S *	11/2013	Hirst	D7/306
9,102,908	B1 *	8/2015	Mitchell	C12C 7/04
9,109,192	B1 *	8/2015	Mitchell	C12C 1/02
9,228,163	B1 *	1/2016	Mitchell	C12C 13/10
9,376,653	B1 *	6/2016	Mitchell	C12C 1/02
D763,613	S *	8/2016	Han	D7/306
9,523,067	B2 *	12/2016	Wallace	C12C 13/10
9,533,865	B2 *	1/2017	Sonnichsen	B67D 1/0808
D793,791	S *	8/2017	McDonald	D7/306

(71) Applicant: **LG ELECTRONICS INC.**, Seoul (KR)

(72) Inventors: **Daekee Shin**, Seoul (KR); **Hophil Lee**, Seoul (KR); **Seunghee Ha**, Seoul (KR)

(73) Assignee: **LG Electronics Inc.**, Seoul (KR)

(**) Term: **15 Years**

(21) Appl. No.: **35/502,837**

(22) Filed: **Oct. 20, 2016**

* cited by examiner

(80) **Hague Agreement Data**

Int. Filing Date: **Oct. 20, 2016**
 Int. Reg. No.: **DM/093483**
 Int. Reg. Date: **Oct. 20, 2016**
 Int. Reg. Pub. Date: **Apr. 21, 2017**

Primary Examiner — Richard E Chilcot

(74) *Attorney, Agent, or Firm* — Birch, Stewart, Kolasch & Birch, LLP

(30) **Foreign Application Priority Data**

May 31, 2016 (KR) 30-2016-0026391

(51) **LOC (11) Cl.** **07-01**

(52) **U.S. Cl.**

USPC **D7/313**; D7/306
 CPC **C12C 13/10** (2013.01)

(58) **Field of Classification Search**

USPC D7/300, 304–313; 99/323.1, 323.3, 322,
 99/470; 222/146.2, 146.6; 220/592.1,
 220/592.28, 592.03, 592.01

CPC C12C 1/02; C12C 13/02; C12C 13/10
 See application file for complete search history.

(56) **References Cited**

U.S. PATENT DOCUMENTS

6,032,571 A * 3/2000 Brous C12C 13/10
 366/249

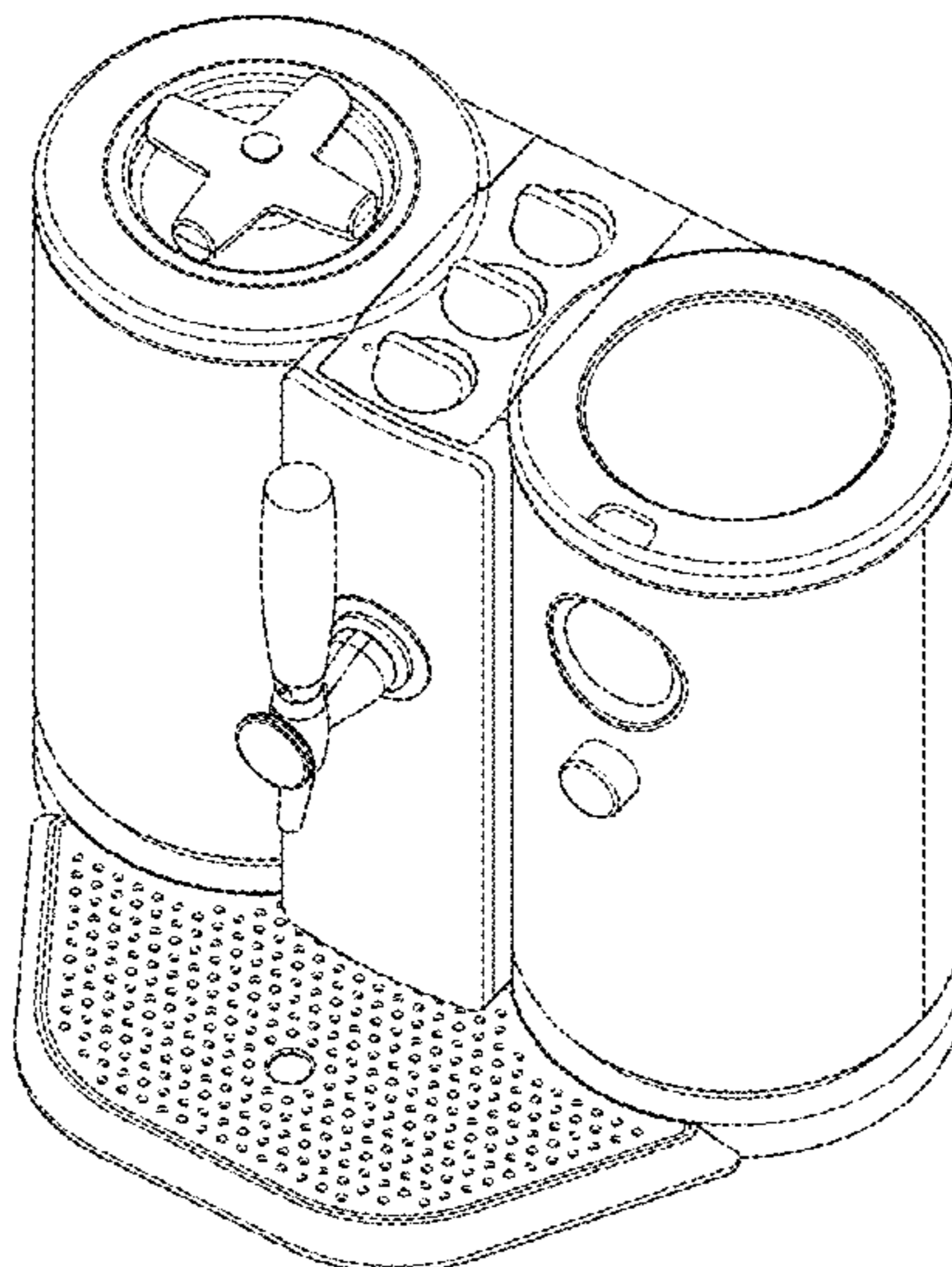
(57) **CLAIM**

The ornamental design for a beer making apparatus, as shown and described.

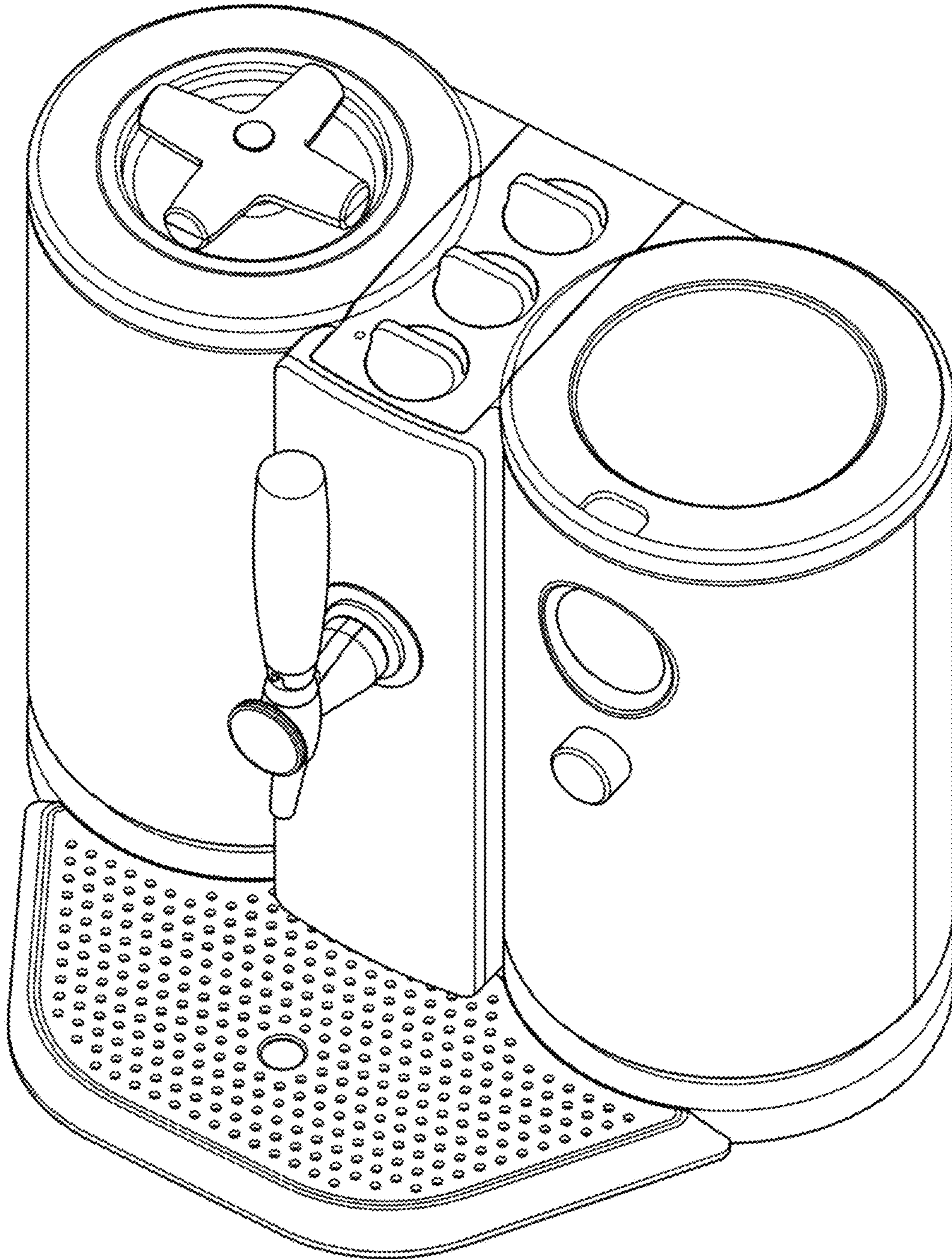
DESCRIPTION

1. Beer making apparatus
 Figure 1.1 is a front perspective view;
 Figure 1.2 is a front view;
 Figure 1.3 is a rear view;
 Figure 1.4 is a left side view;
 Figure 1.5 is a right side view;
 Figure 1.6 is a top view;
 Figure 1.7 is a bottom view.

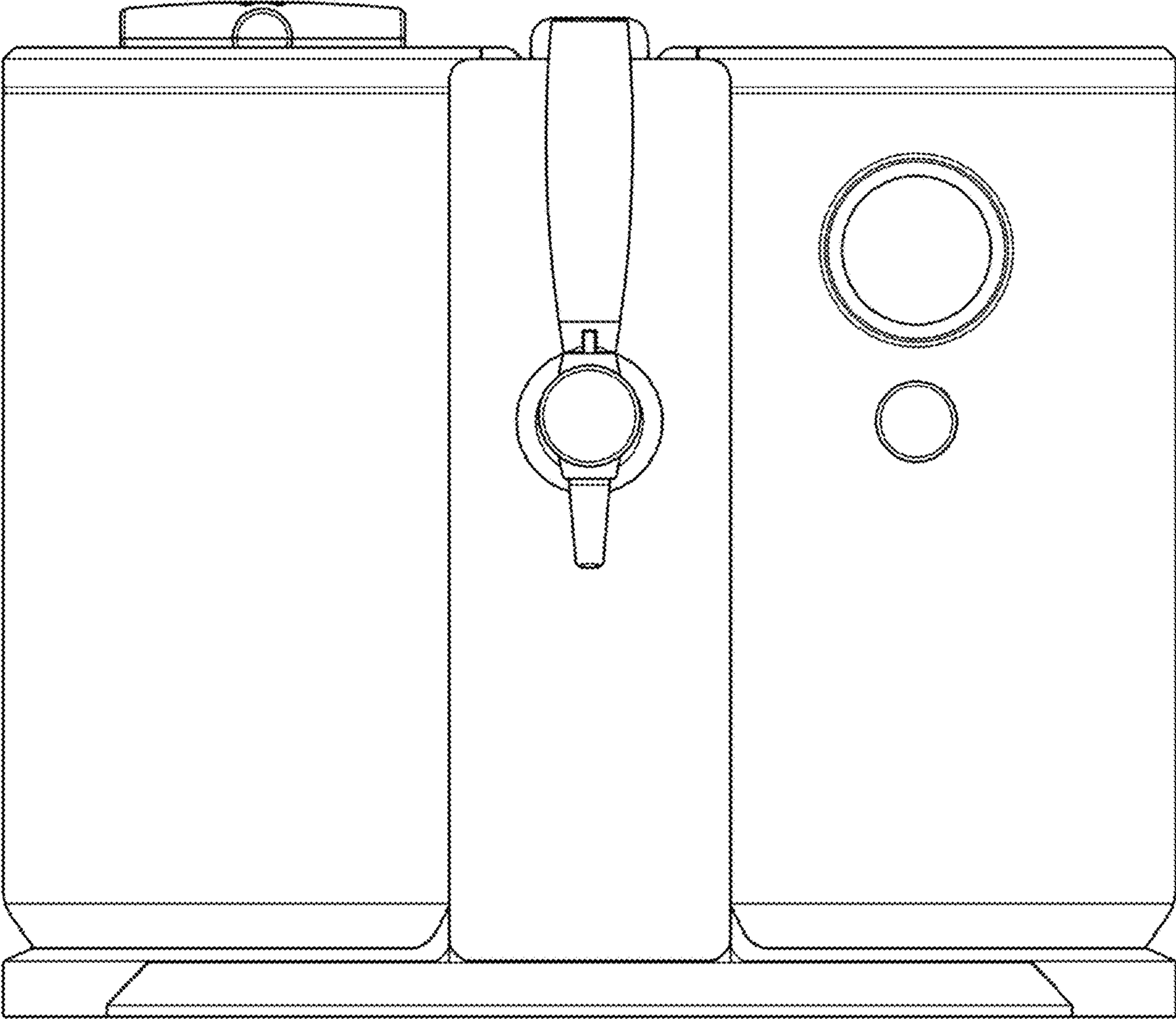
1 Claim, 7 Drawing Sheets



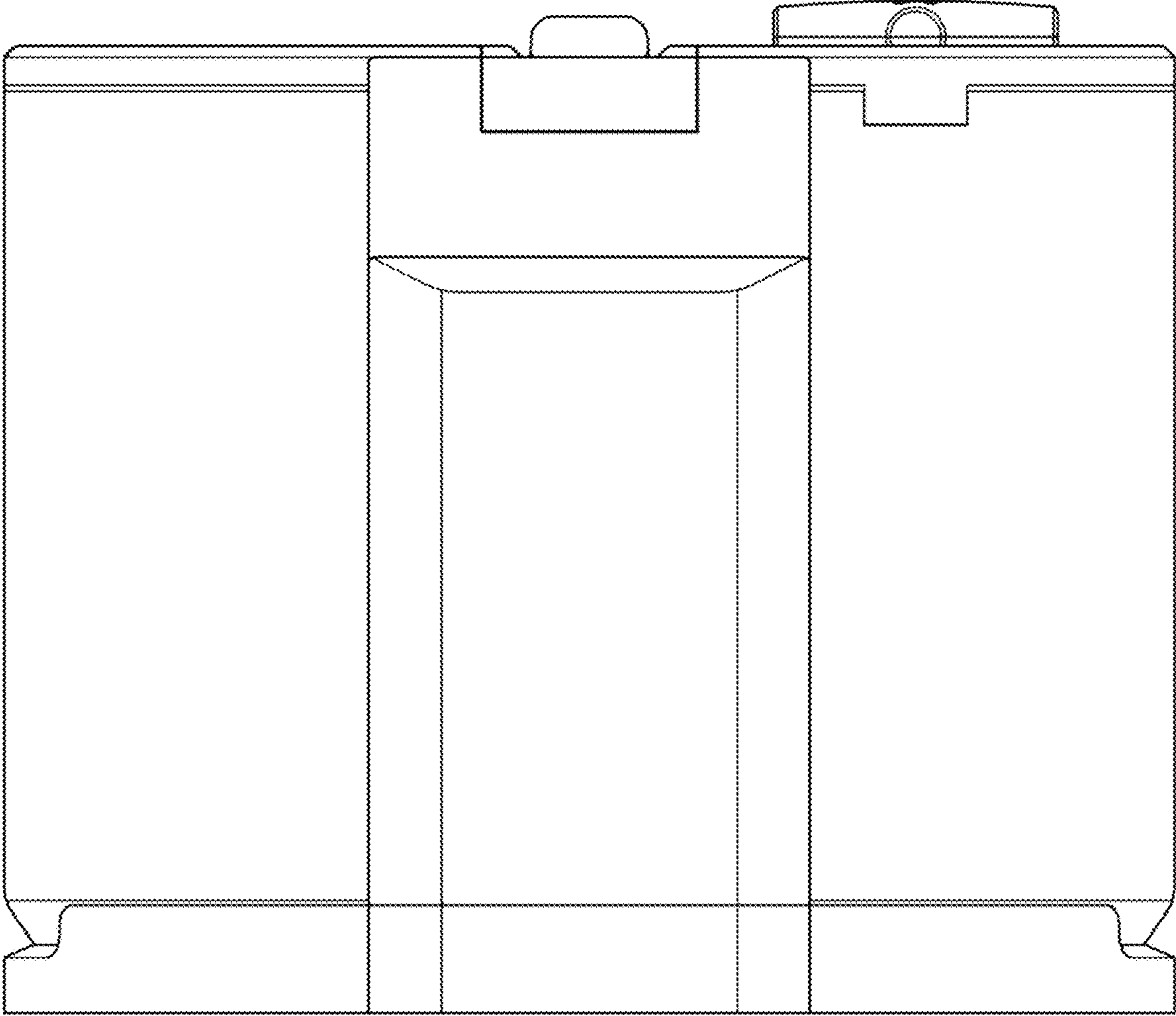
1.1



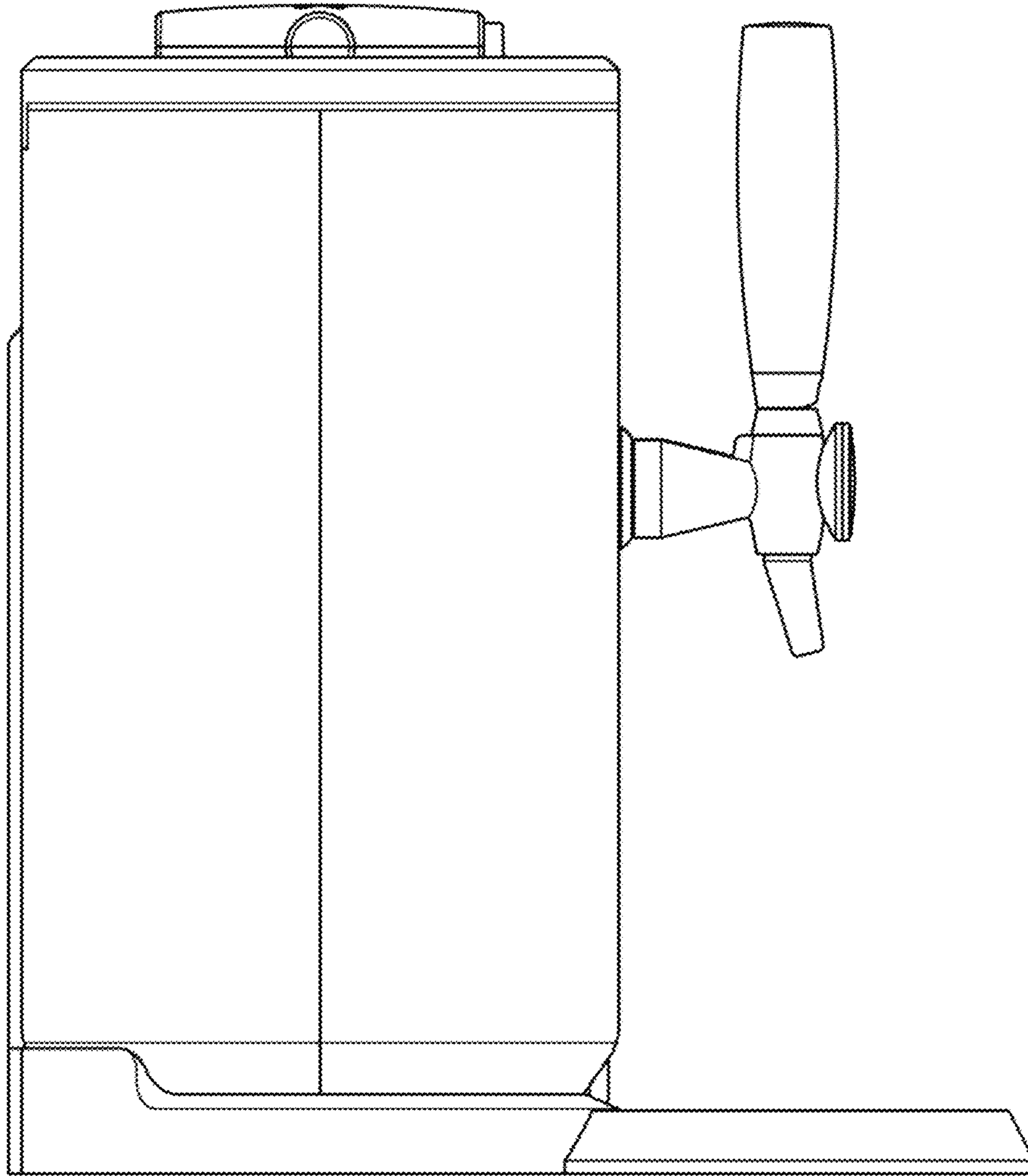
1.2



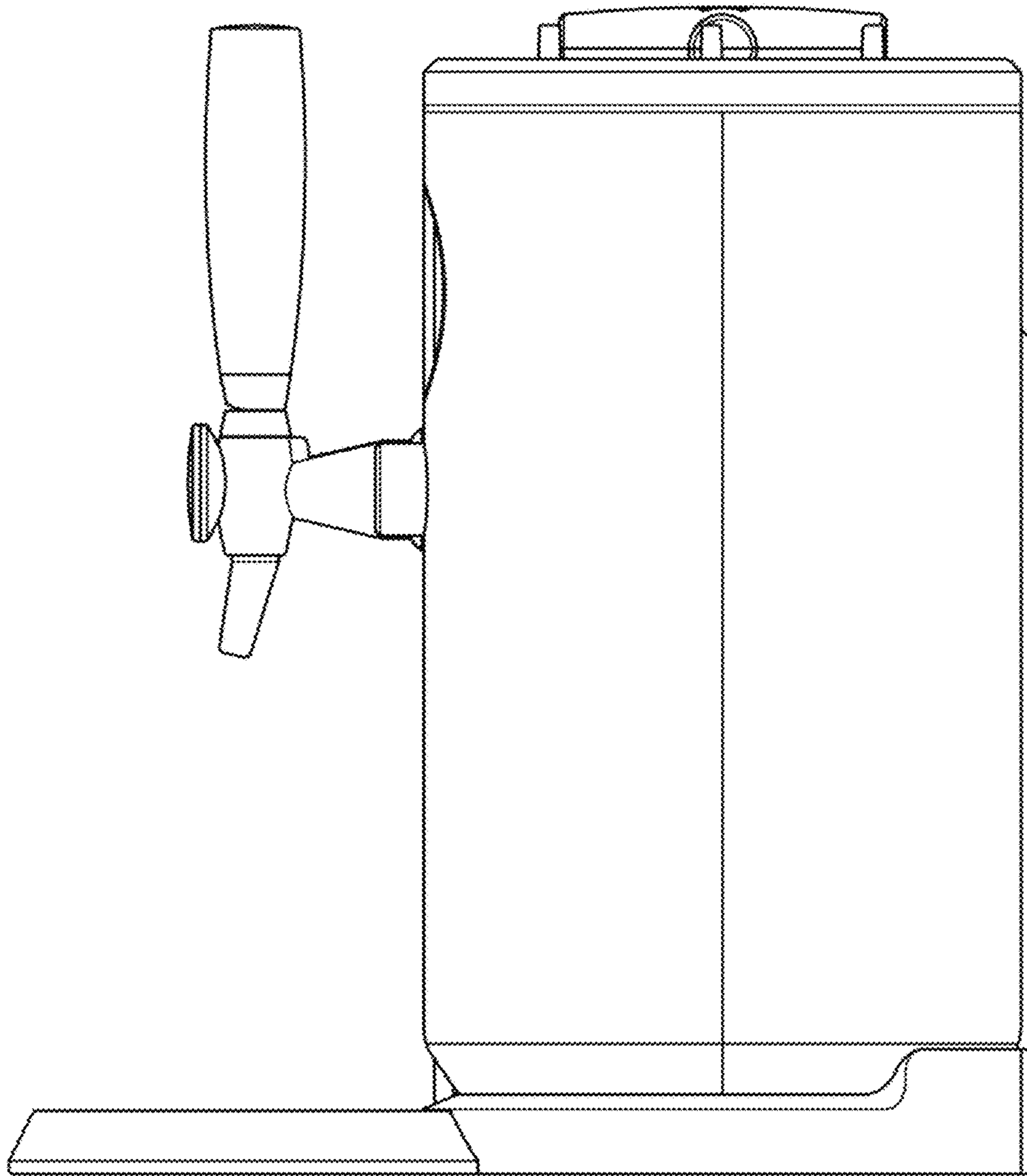
1.3



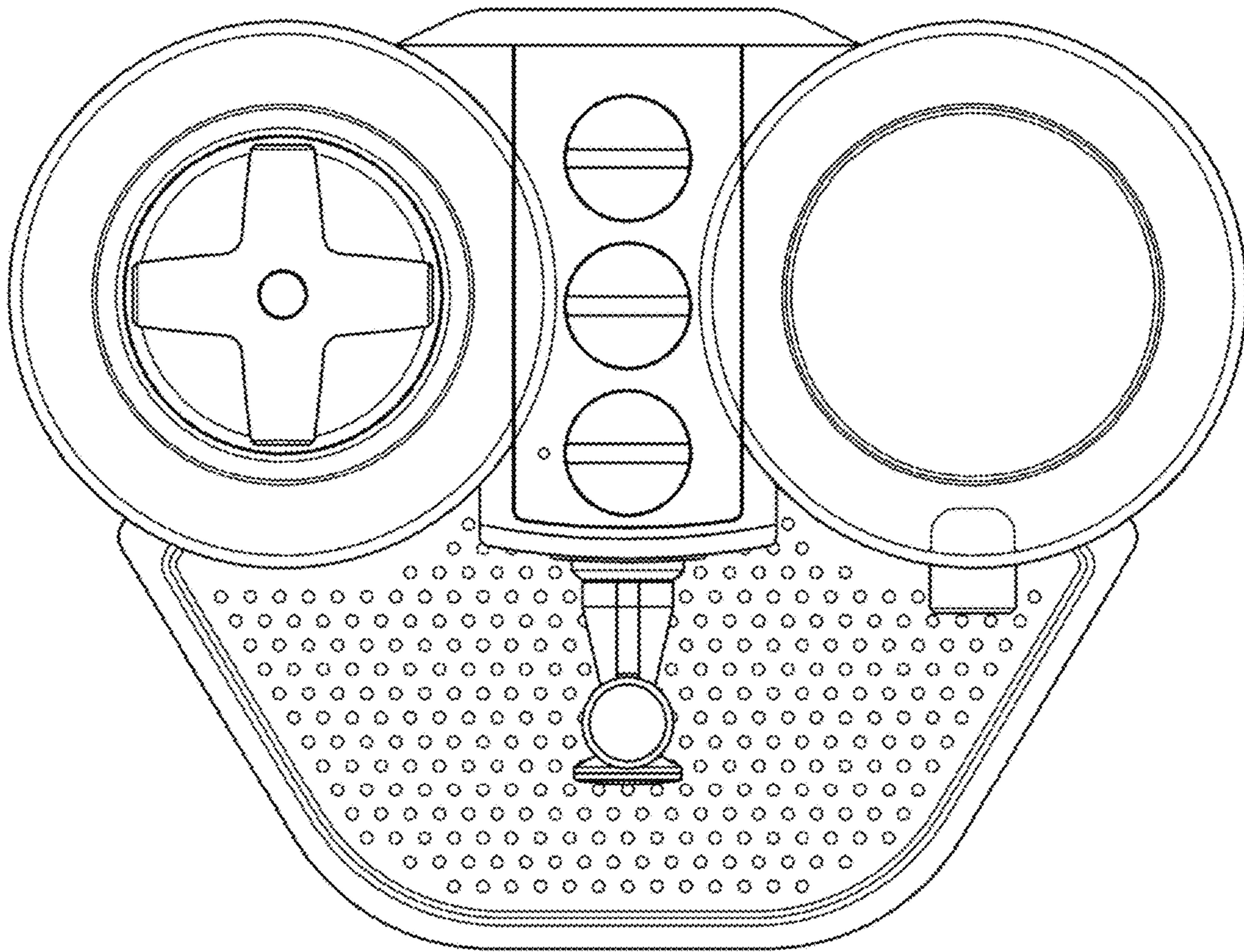
1.4



1.5



1.6



1.7

