



US00D824192S

(12) **United States Design Patent** (10) **Patent No.:** **US D824,192 S**
Poulton (45) **Date of Patent:** **** Jul. 31, 2018**

(54) **STORAGE DEVICE**

(71) Applicant: **Seagate Technology LLC**, Cupertino, CA (US)

(72) Inventor: **Neil Poulton**, Paris (FR)

(73) Assignee: **Seagate Technology LLC**, Cupertino, CA (US)

(**) Term: **15 Years**

(21) Appl. No.: **29/599,247**

(22) Filed: **Mar. 31, 2017**

(51) **LOC (11) Cl.** **06-04**

(52) **U.S. Cl.**
USPC **D6/663**

(58) **Field of Classification Search**
USPC D23/317, 330, 351, 354, 355, 395;
D32/2; D6/657, 662, 662.1, 663, 669,
D6/671, 671.1, 671.2
CPC A47B 87/02; A47B 87/0292; A47B 46/00;
A47B 61/00; A47B 67/04; A47B 88/90;
A61C 19/02; F25D 25/025
See application file for complete search history.

(56) **References Cited**

U.S. PATENT DOCUMENTS

129,688	A *	7/1872	Smith	A47B 87/02 312/107
460,252	A *	9/1891	Brunhoff	A47B 87/02 217/13
1,047,931	A *	12/1912	Gilmore	A47B 67/04 211/182
D101,781	S *	11/1936	Krick	D6/671.1
D102,424	S *	12/1936	Gardiner	D28/61
D151,964	S *	12/1948	Buckner	D6/671.1
D196,372	S *	9/1963	Mager	D6/671.1
3,529,878	A *	9/1970	Blowers	A47B 87/0292 312/107

(Continued)

Primary Examiner — Kevin K Rudzinski

Assistant Examiner — Paul D Bohannon

(74) *Attorney, Agent, or Firm* — Muetting, Raasch & Gebhardt, P.A.

(57) **CLAIM**

The ornamental design for a storage device, as shown and described.

DESCRIPTION

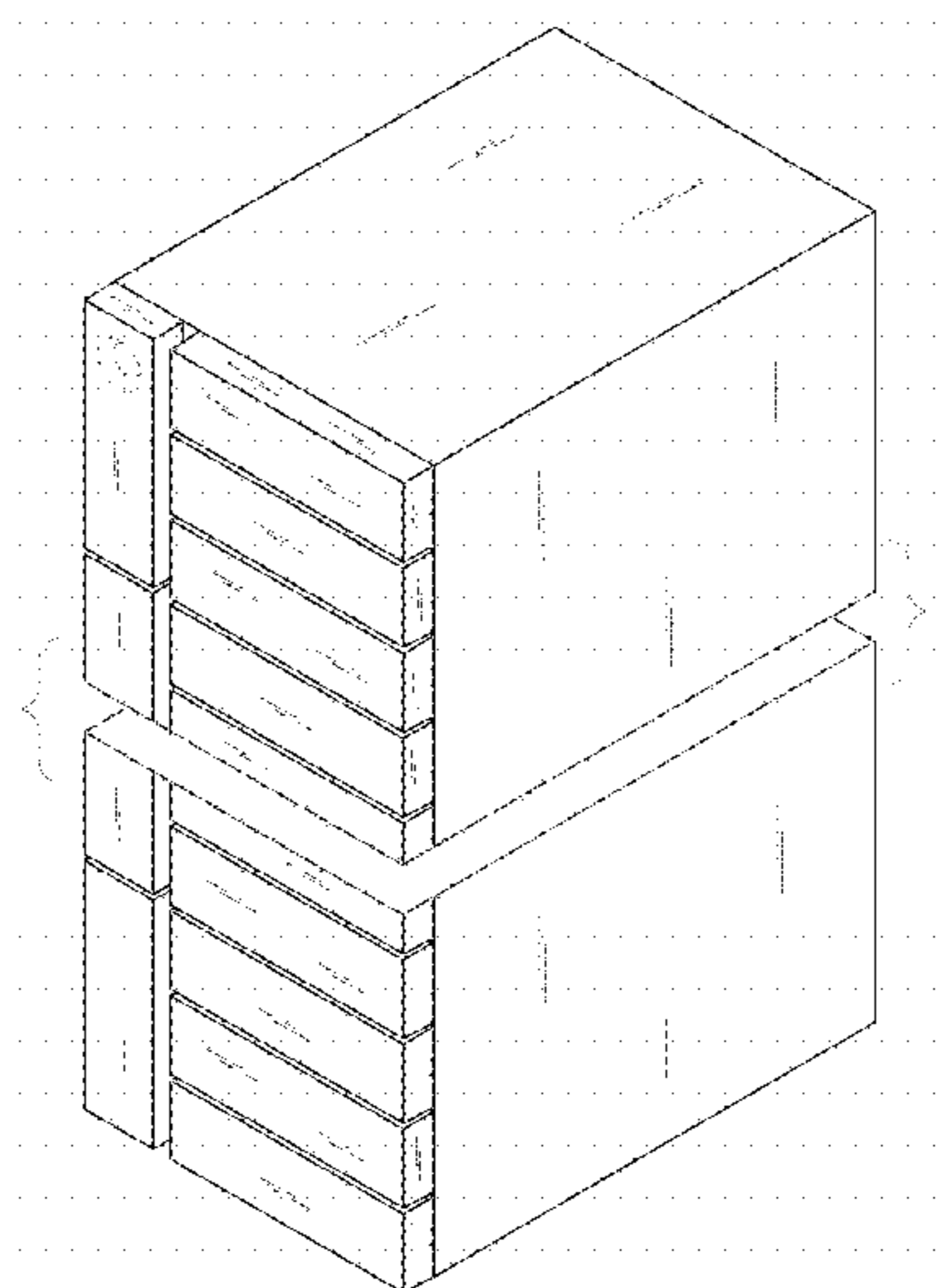
FIG. 1 is a front right perspective view of a storage device in accordance with an embodiment of the claimed design; FIG. 2 is a front elevation view of the design of FIG. 1; FIG. 3 is a right side elevation view of the design of FIG. 1; FIG. 4 is a left side elevation view of the design of FIG. 1; FIG. 5 is a top plan view of the design of FIG. 1; FIG. 6 is a front right perspective view of a storage device in accordance with another embodiment of the claimed design; FIG. 7 is a front elevation view of the design of FIG. 6; FIG. 8 is a right side elevation view of the design of FIG. 6; FIG. 9 is a left side elevation view of the design of FIG. 6; and, FIG. 10 is a top plan view of the design of FIG. 6.

The rear elevation views and bottom plan views of each of the embodiments illustrated are not shown and form no part of the claimed design.

The dash-dash broken lines in the figures represent environment and form no part of the claimed design.

The dot-dash lines in the figures immediately adjacent the solid lines represent a symbolic break in length. The appearance of any portion of the article between the break lines forms no part of the claimed design. It is understood that the symbolic break lines represent boundaries of the claimed design and form no part thereof.

1 Claim, 10 Drawing Sheets



(56)

References Cited

U.S. PATENT DOCUMENTS

3,880,292	A *	4/1975	Kitchen	A47F 5/01 211/112
D270,409	S *	9/1983	Hannah	D6/671.1
D288,751	S *	3/1987	Fuss	D6/671.1
D288,752	S *	3/1987	Fuss	D6/671.1
D288,753	S *	3/1987	Fuss	D6/671.1
D288,754	S *	3/1987	Fuss	D6/671.1
D310,999	S *	10/1990	Nuttall	D14/311
5,246,105	A *	9/1993	Eykman	A47B 67/04 206/63.5
D348,574	S *	7/1994	Brunner	D6/671.1
5,358,321	A *	10/1994	Leonardi	A47B 81/068 312/330.1
D361,430	S *	8/1995	Mohundro	D3/296
D501,736	S *	2/2005	Kirkpatrick	D6/671.1
D553,880	S *	10/2007	Lewis	D6/671.1
D632,507	S *	2/2011	Sweeney	D6/671
D665,596	S *	8/2012	Shawcross	D6/663
D693,606	S *	11/2013	Hertaus	D6/671.1
D701,403	S *	3/2014	Thompson	D6/671
D703,978	S *	5/2014	Suthmann	D6/669
D741,624	S *	10/2015	Freimuth	D6/671.1
D765,445	S *	9/2016	Persson	D6/671.1
D770,815	S *	11/2016	Jackson	D6/671.1
D784,736	S *	4/2017	Chen	D6/671.1
2005/0061021	A1 *	3/2005	Uihlein	F25D 23/021 62/441
2011/0031140	A1 *	2/2011	Clishem	A45C 3/004 206/289

* cited by examiner

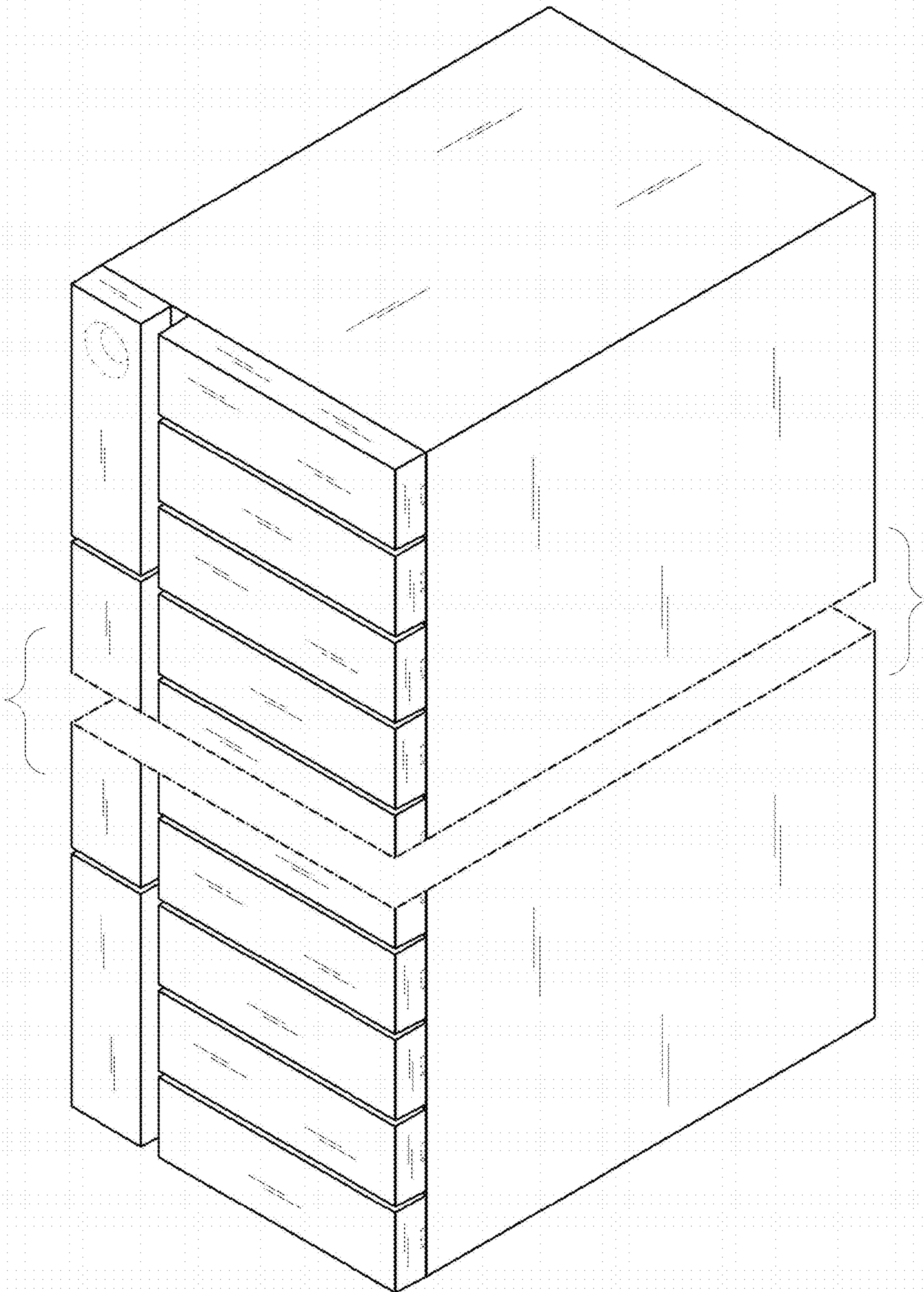


Fig. 1

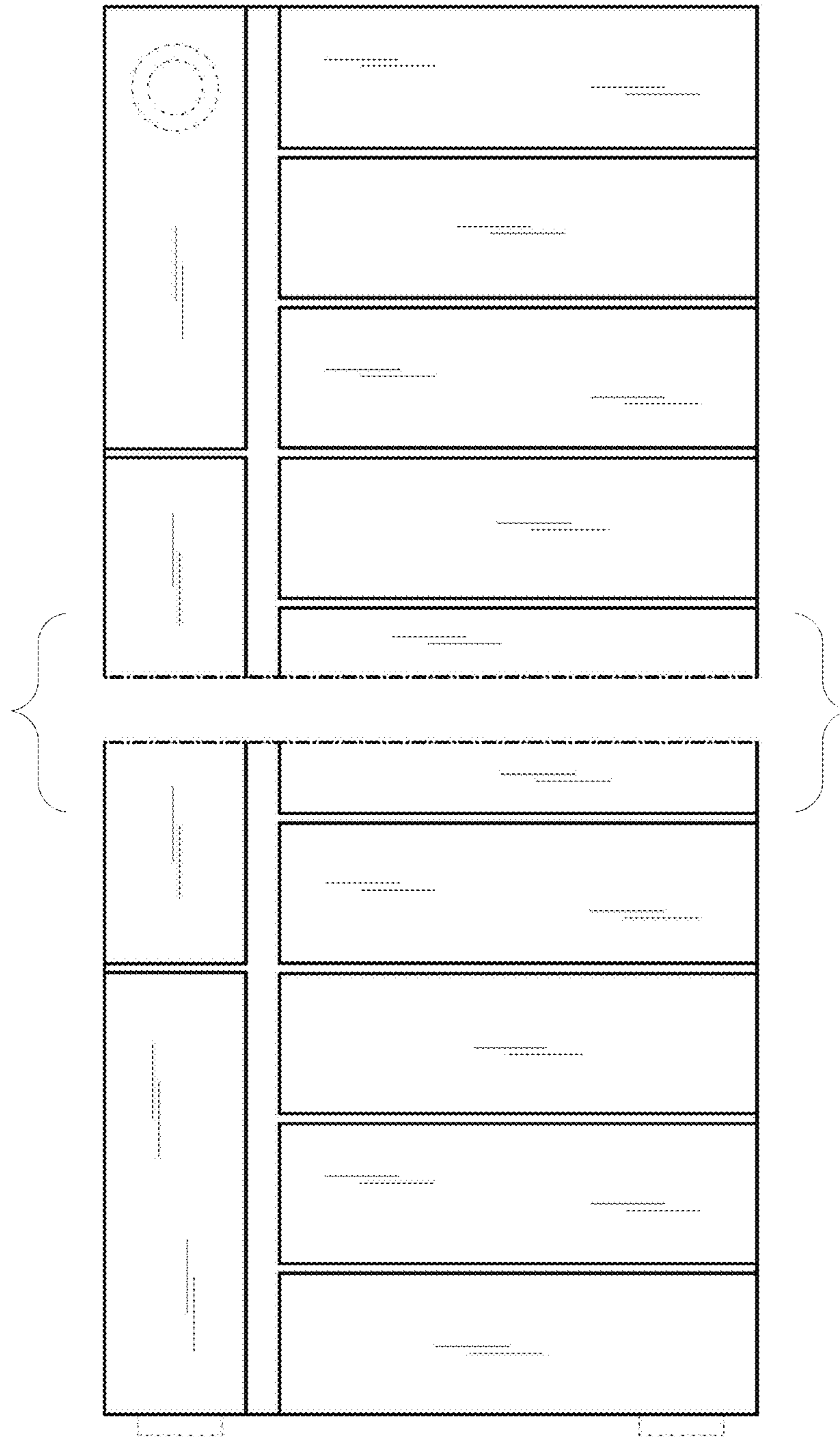


Fig. 2

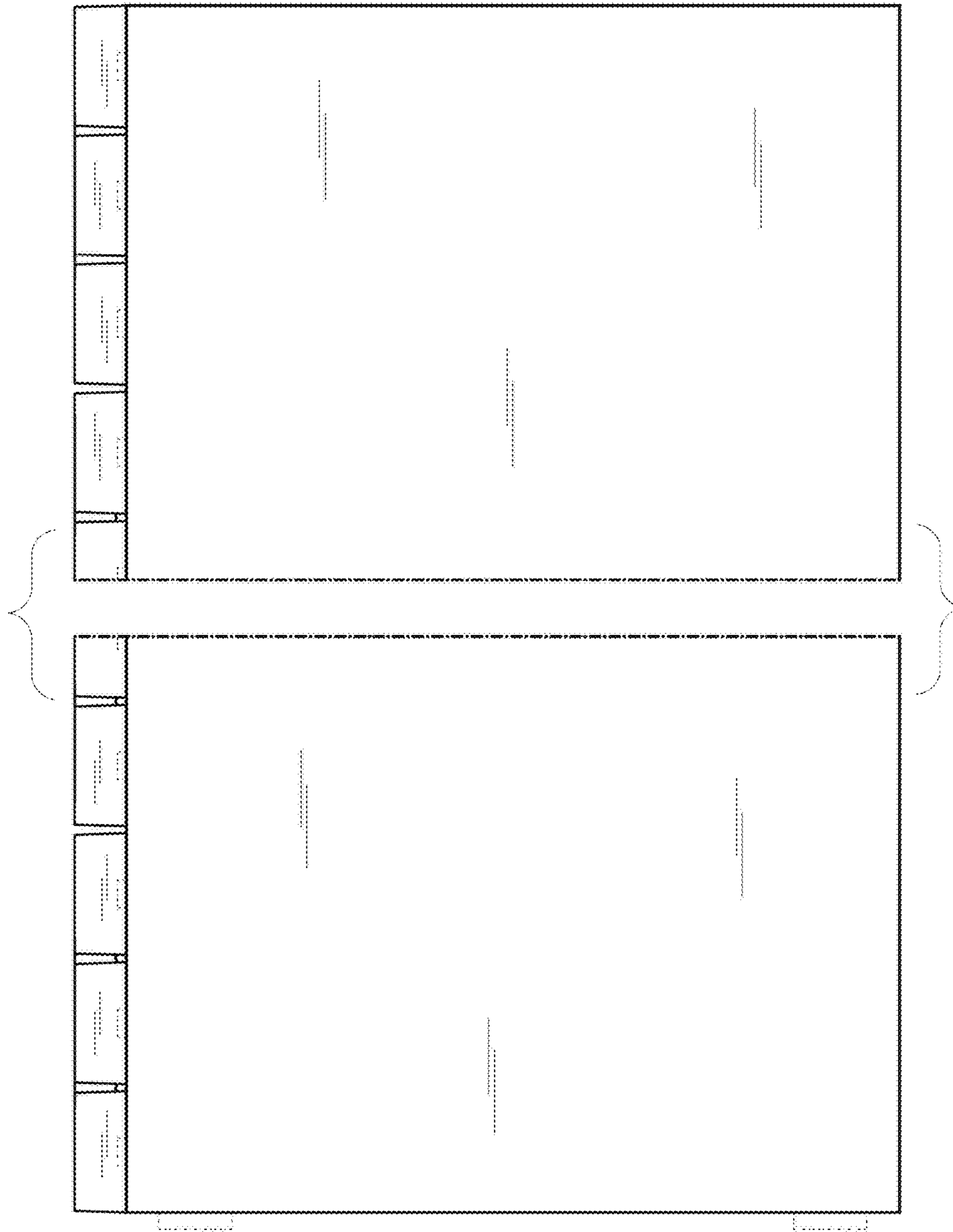


Fig. 3

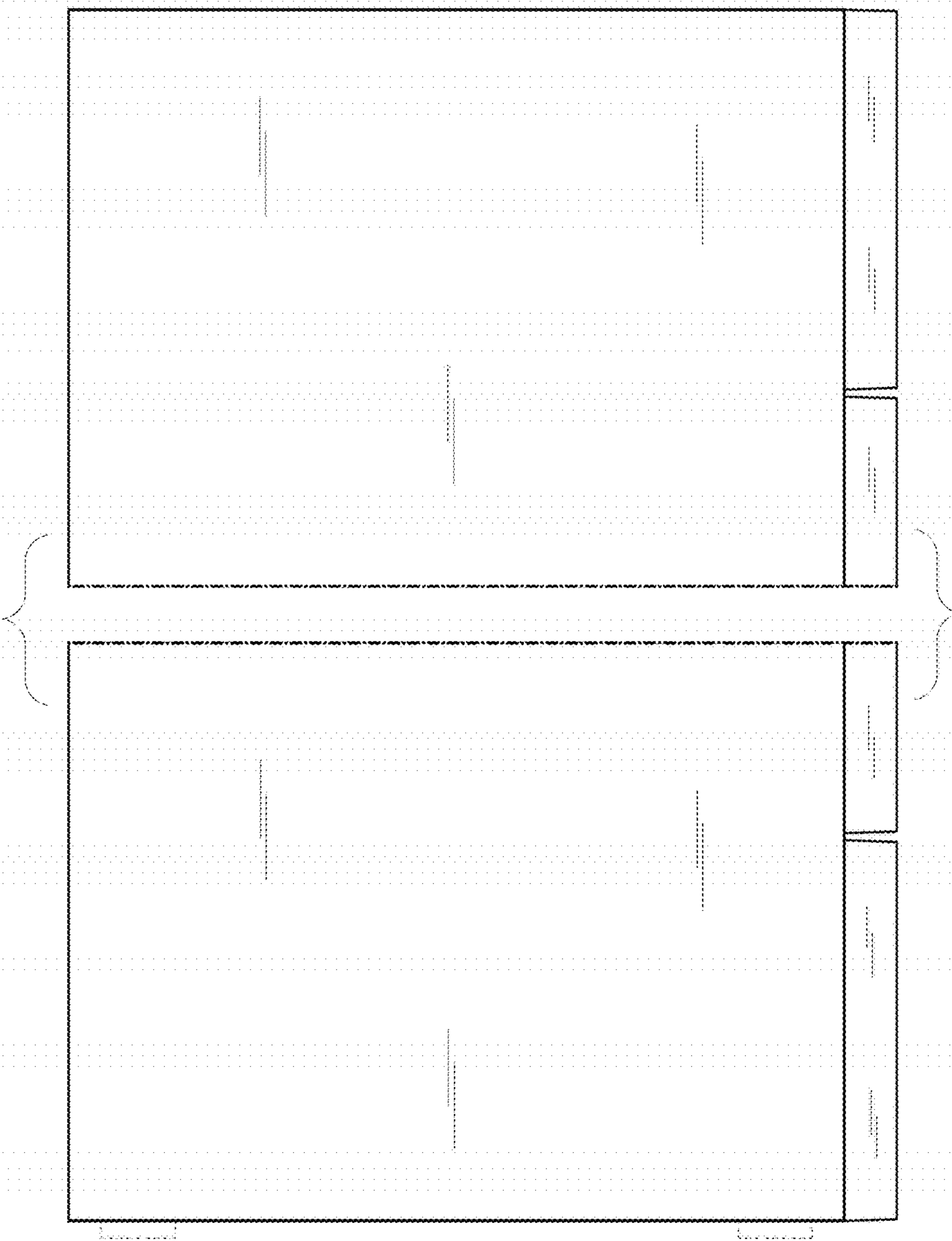


Fig. 4

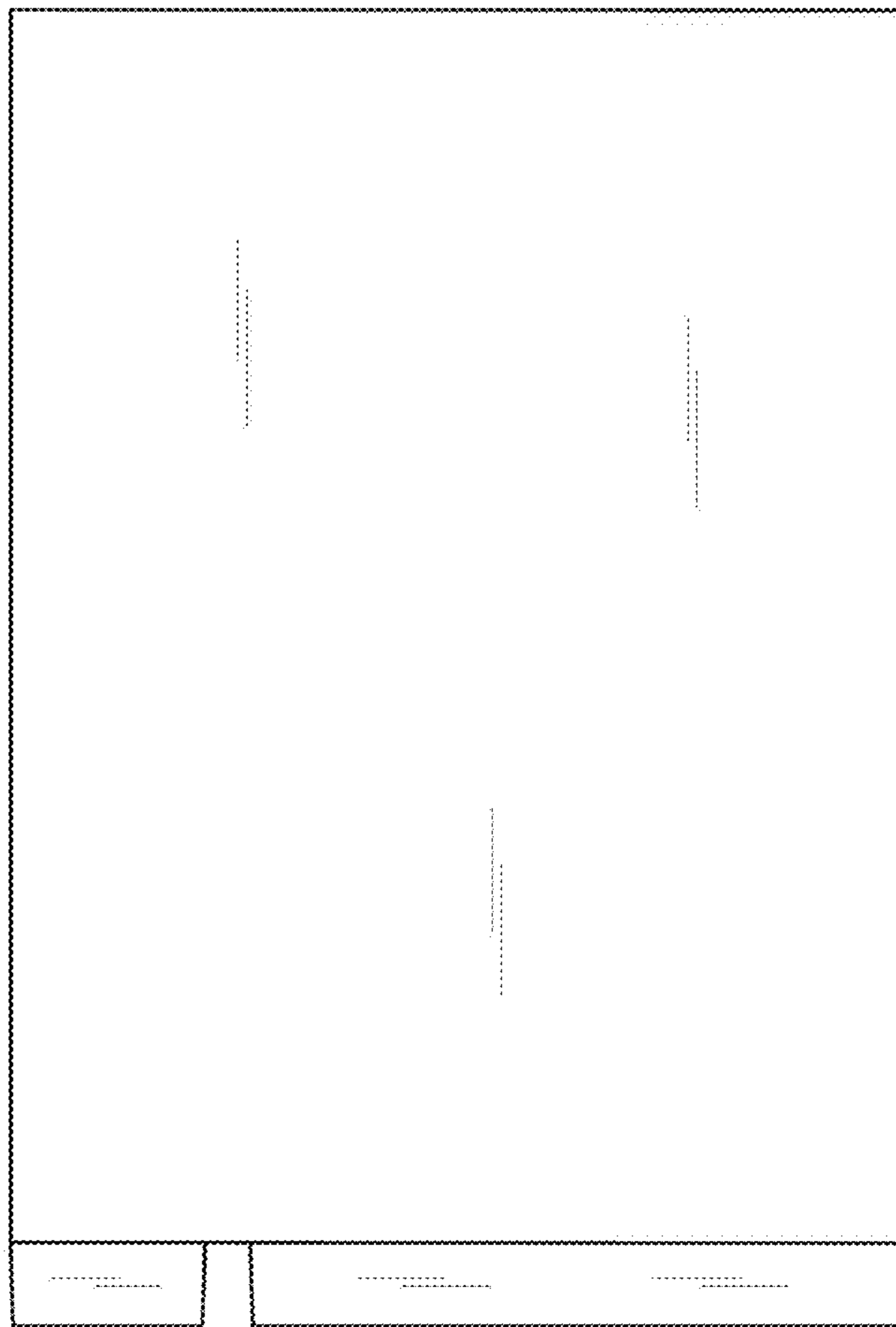


Fig. 5

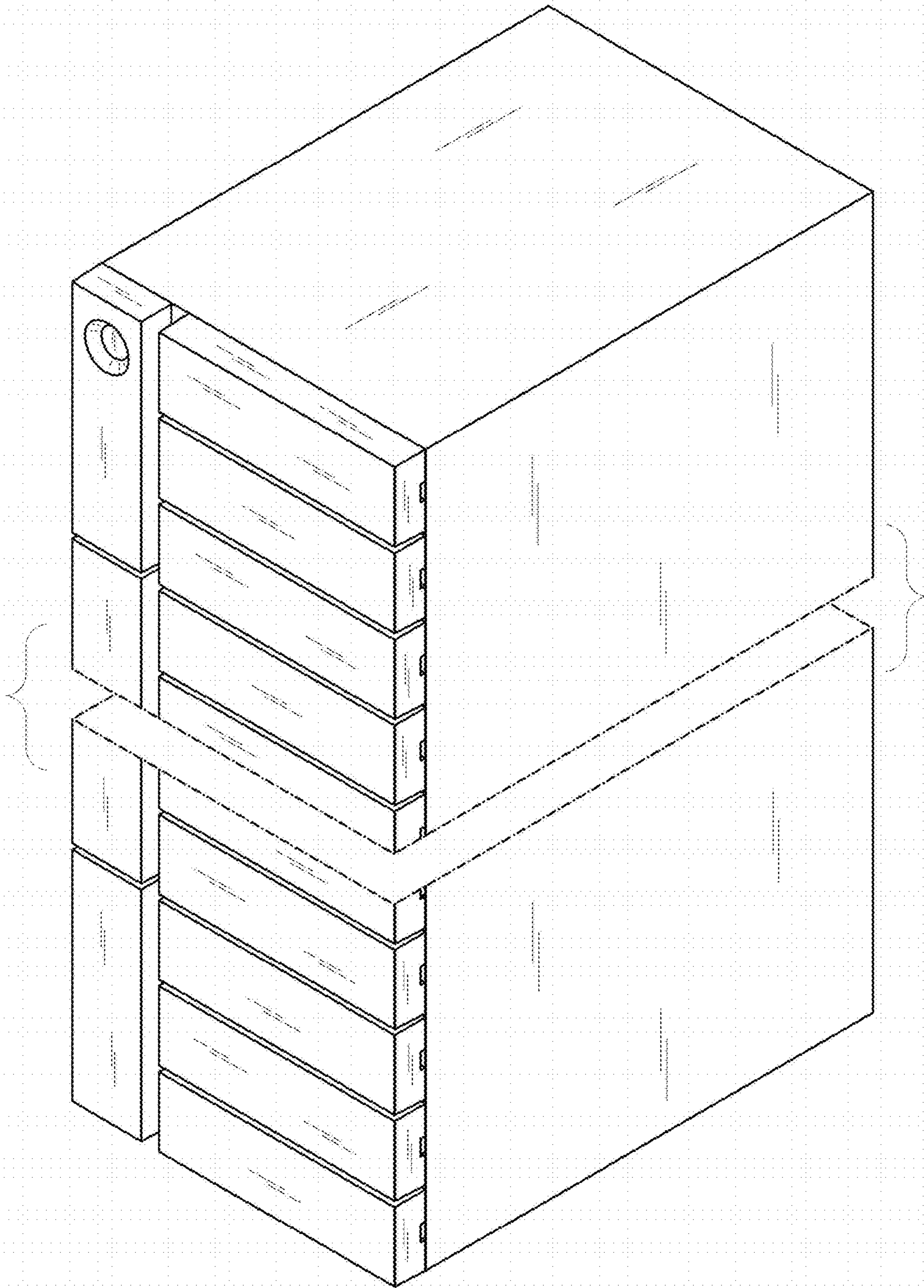


Fig. 6

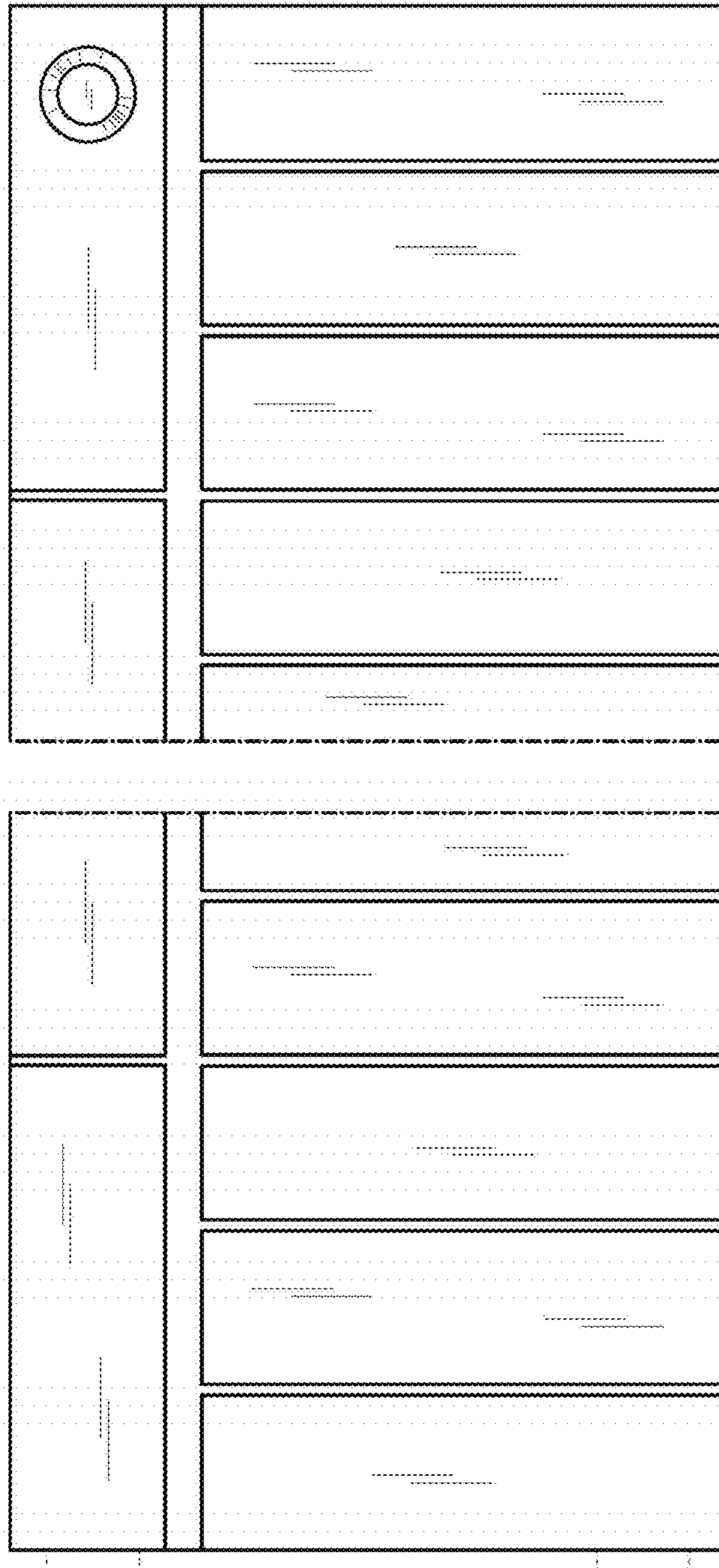


Fig. 7

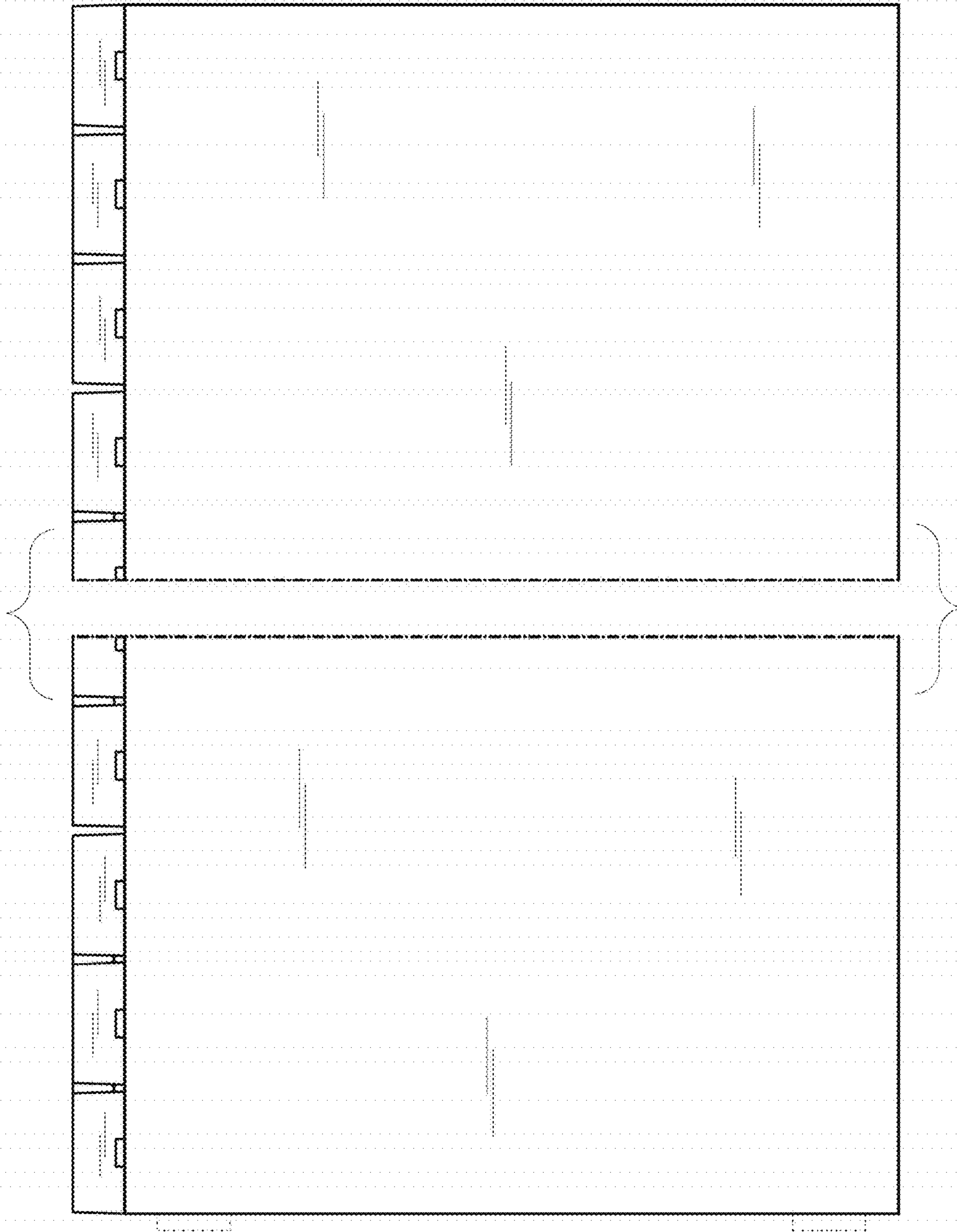


Fig. 8

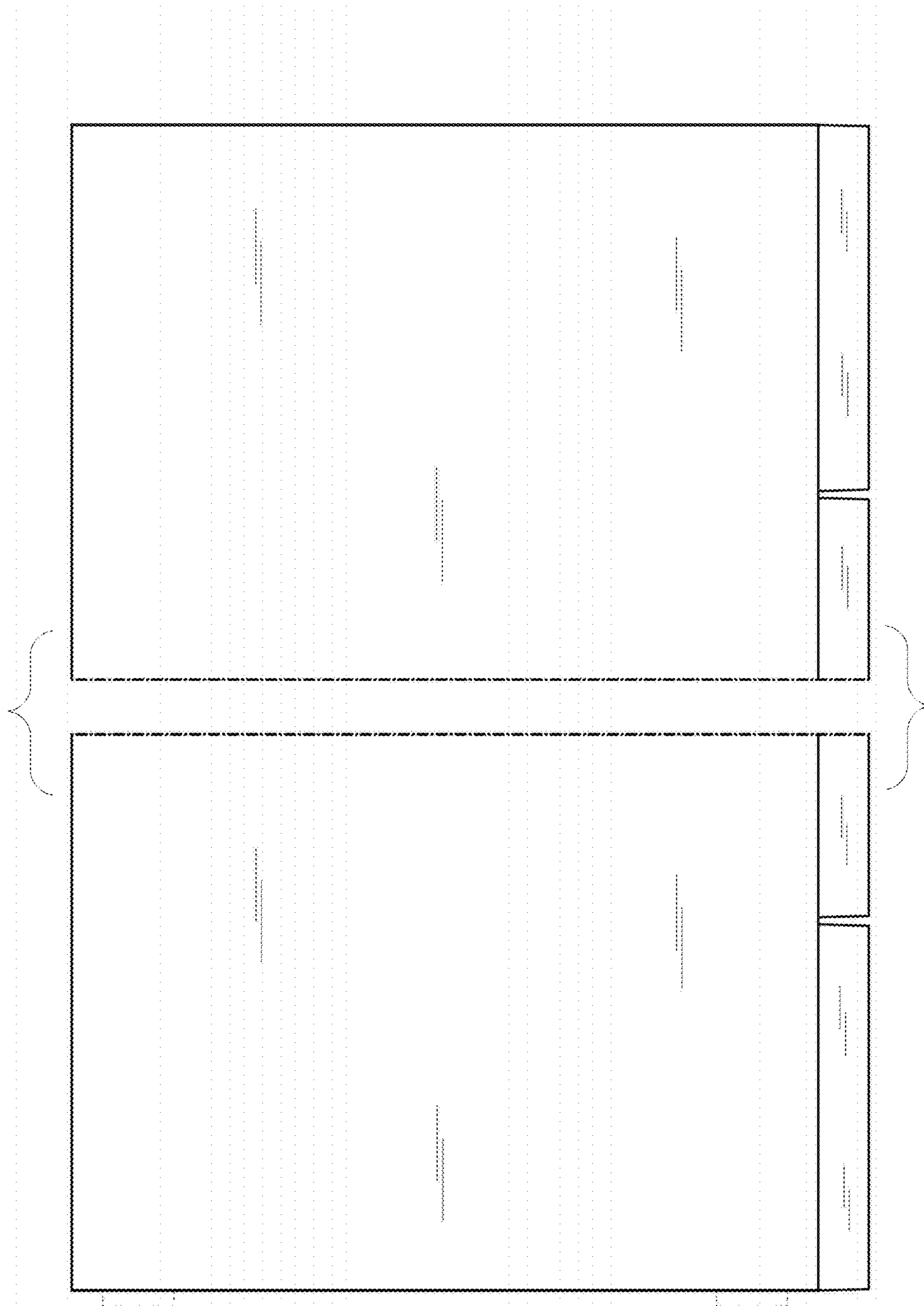


Fig. 9

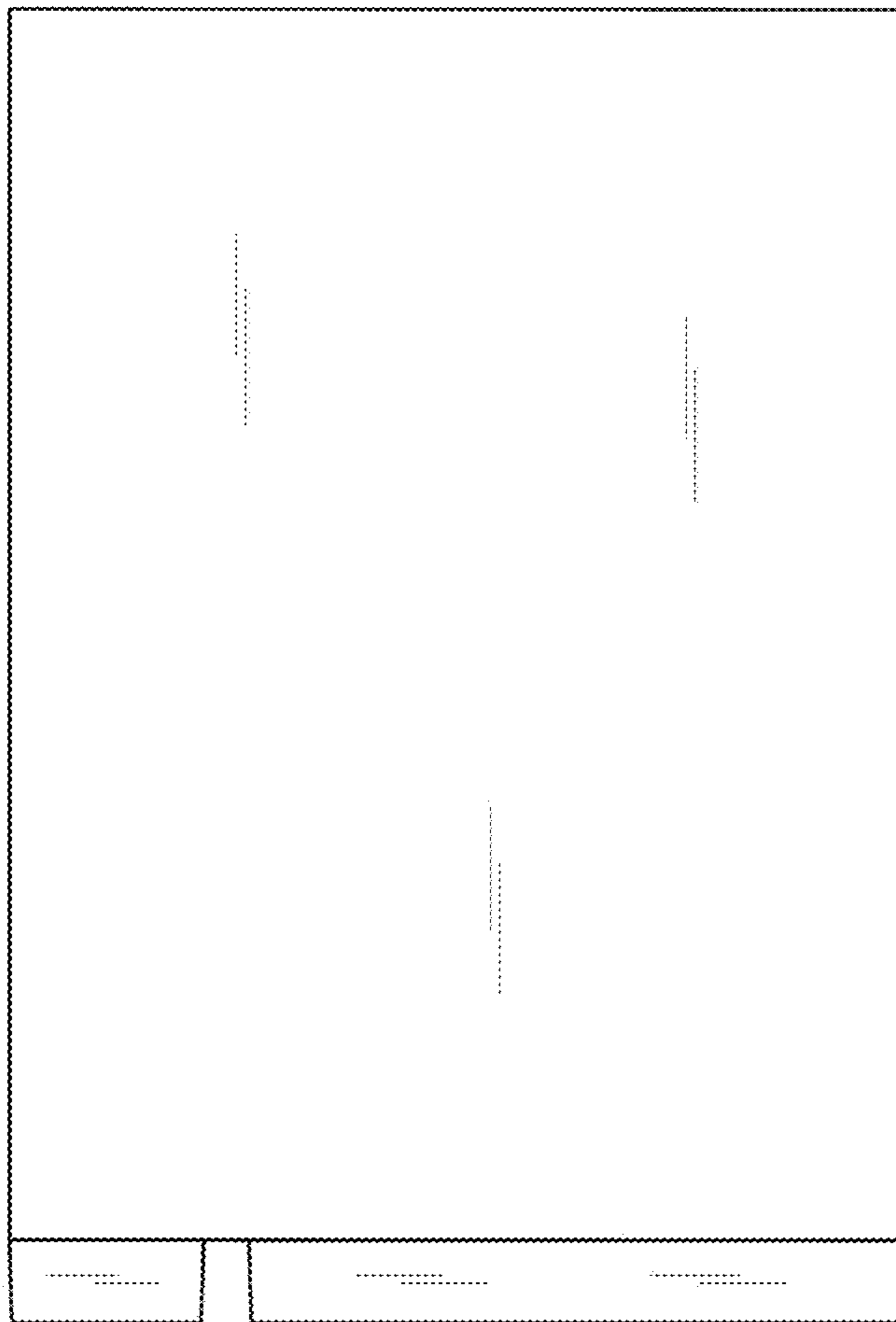


Fig. 10