



US00D824191S

(12) **United States Design Patent** (10) **Patent No.:** **US D824,191 S**  
**Reece et al.** (45) **Date of Patent:** **\*\* Jul. 31, 2018**

(54) **WORK STATION**  
(71) Applicant: **XEROX CORPORATION**, Norwalk, CT (US)  
(72) Inventors: **Gary D Reece**, Whittier, CA (US); **Andrew Scott McVey**, Redondo Beach, CA (US); **William T Clark, III**, Pittsford, NY (US)  
(73) Assignee: **Xerox Corporation**, Norwalk, CT (US)  
(\*\*) Term: **15 Years**

D323,437 S \* 1/1992 Hashimoto ..... D6/641  
D334,677 S \* 4/1993 Hinden ..... D6/656.17  
D347,949 S \* 6/1994 Vander Park ..... D6/654.2  
D356,909 S \* 4/1995 Abughazaleh ..... D6/653.1  
D357,141 S \* 4/1995 Park ..... D6/656.15  
D374,563 S \* 10/1996 Simon ..... D6/655  
D381,529 S \* 7/1997 Ugalde ..... D6/642  
D428,279 S \* 7/2000 Olson ..... D6/707.15  
D442,389 S \* 5/2001 Hwang ..... D6/654.2  
D468,137 S \* 1/2003 Ulmer ..... D6/708.17  
D495,525 S \* 9/2004 Chang ..... D6/648.4  
D547,971 S \* 8/2007 Lachance ..... D6/686  
D583,169 S \* 12/2008 Saelid ..... D6/655.2  
D638,637 S \* 5/2011 Foley ..... D6/656.15  
D702,974 S \* 4/2014 Madison ..... D6/650

\* cited by examiner

(21) Appl. No.: **29/590,543**  
(22) Filed: **Jan. 11, 2017**  
(51) **LOC (11) Cl.** ..... **06-03**  
(52) **U.S. Cl.**  
USPC ..... **D6/656.15**  
(58) **Field of Classification Search**  
USPC ..... D6/641, 642, 648, 648.1, 648.2, 648.3,  
D6/648.4, 649, 653, 655, 655.11, 655.13,  
D6/656, 656.15, 699, 708, 708.16,  
D6/708.17, 709, 709.2, 710  
CPC ..... A47B 7/00; A47B 13/08; A47B 13/10;  
A47B 21/00; A47B 2009/006; A47B  
11/00; A47B 2200/002  
See application file for complete search history.

*Primary Examiner* — Mary Ann Calabrese  
*Assistant Examiner* — Sloan Rozin

(57) **CLAIM**

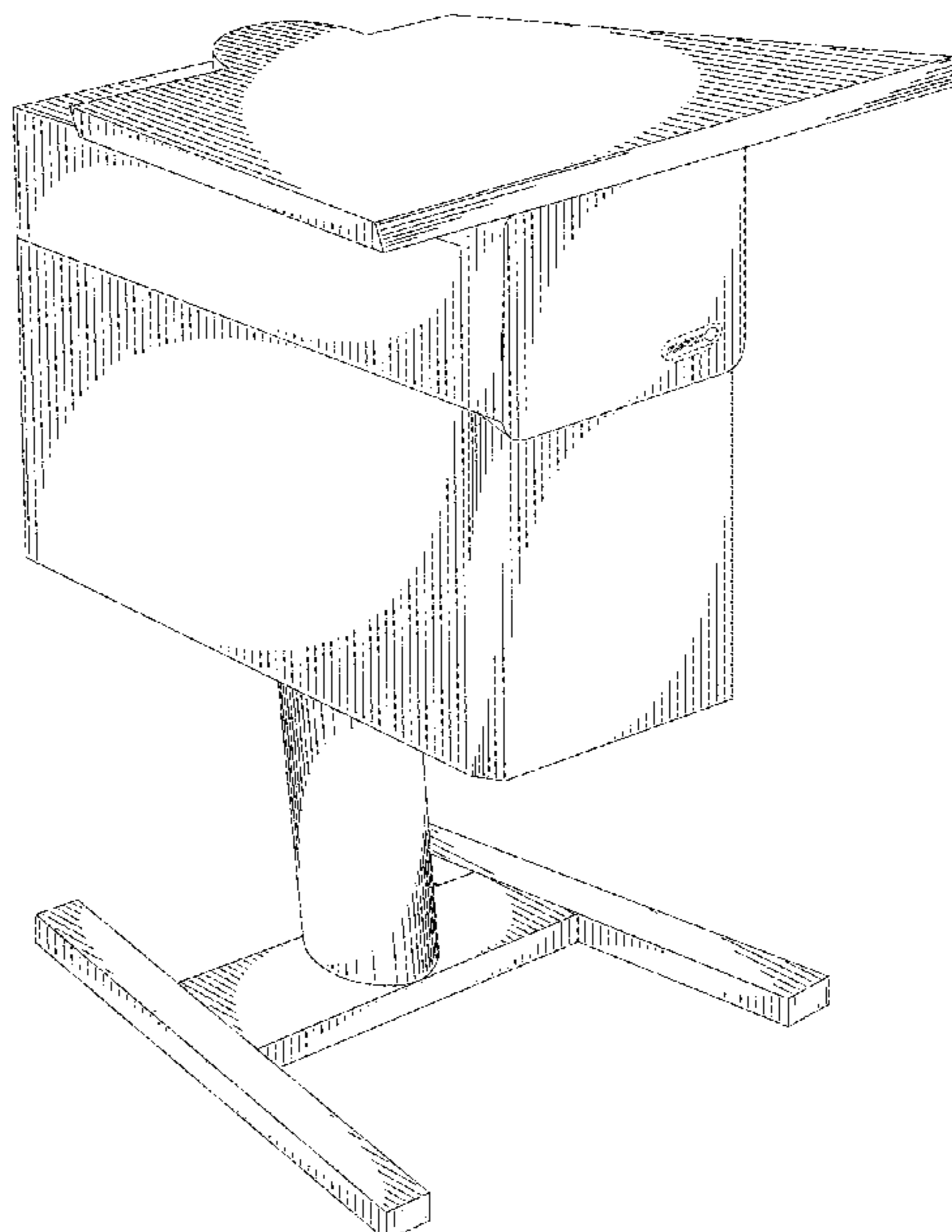
The ornamental design for a work station, as shown and described.

**DESCRIPTION**

FIG. 1 is a perspective view of a work station in accordance with the present invention;  
FIG. 2 is a front view thereof;  
FIG. 3 is a right side view thereof;  
FIG. 4 is a rear view thereof;  
FIG. 5 is a left side view thereof;  
FIG. 6 is a top plan view thereof; and,  
FIG. 7 is a bottom plan view thereof.  
The broken line showing of elements on the work station illustrate portions of the article and form no part of the claimed design.

(56) **References Cited**  
U.S. PATENT DOCUMENTS  
D221,086 S \* 7/1971 Fossella ..... D18/59  
3,794,397 A \* 2/1974 Flototto ..... A47B 41/00  
312/194  
D274,873 S \* 7/1984 Cope ..... D34/22  
D291,162 S \* 8/1987 Kwiecinski ..... D6/642

**1 Claim, 7 Drawing Sheets**



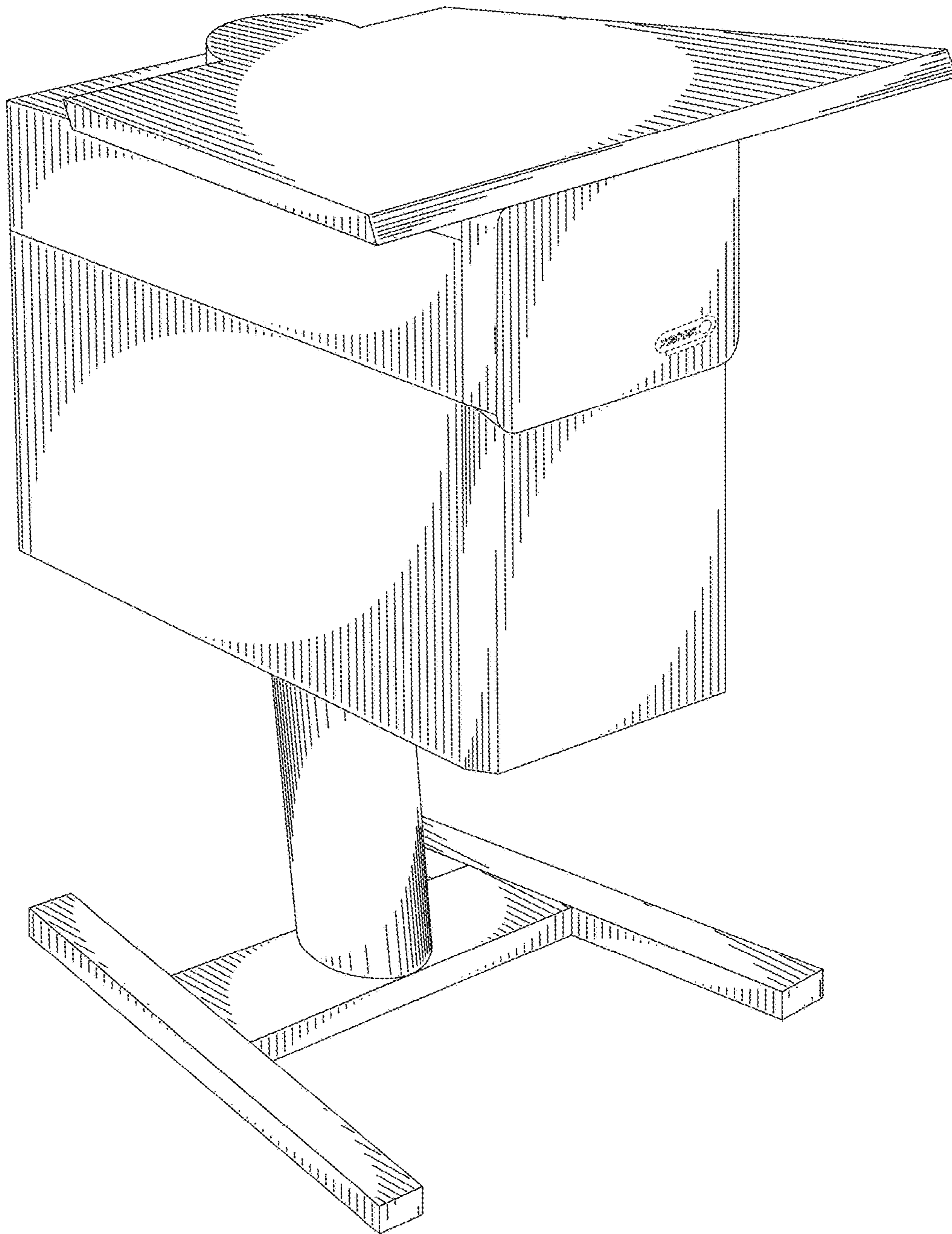


FIG. 1

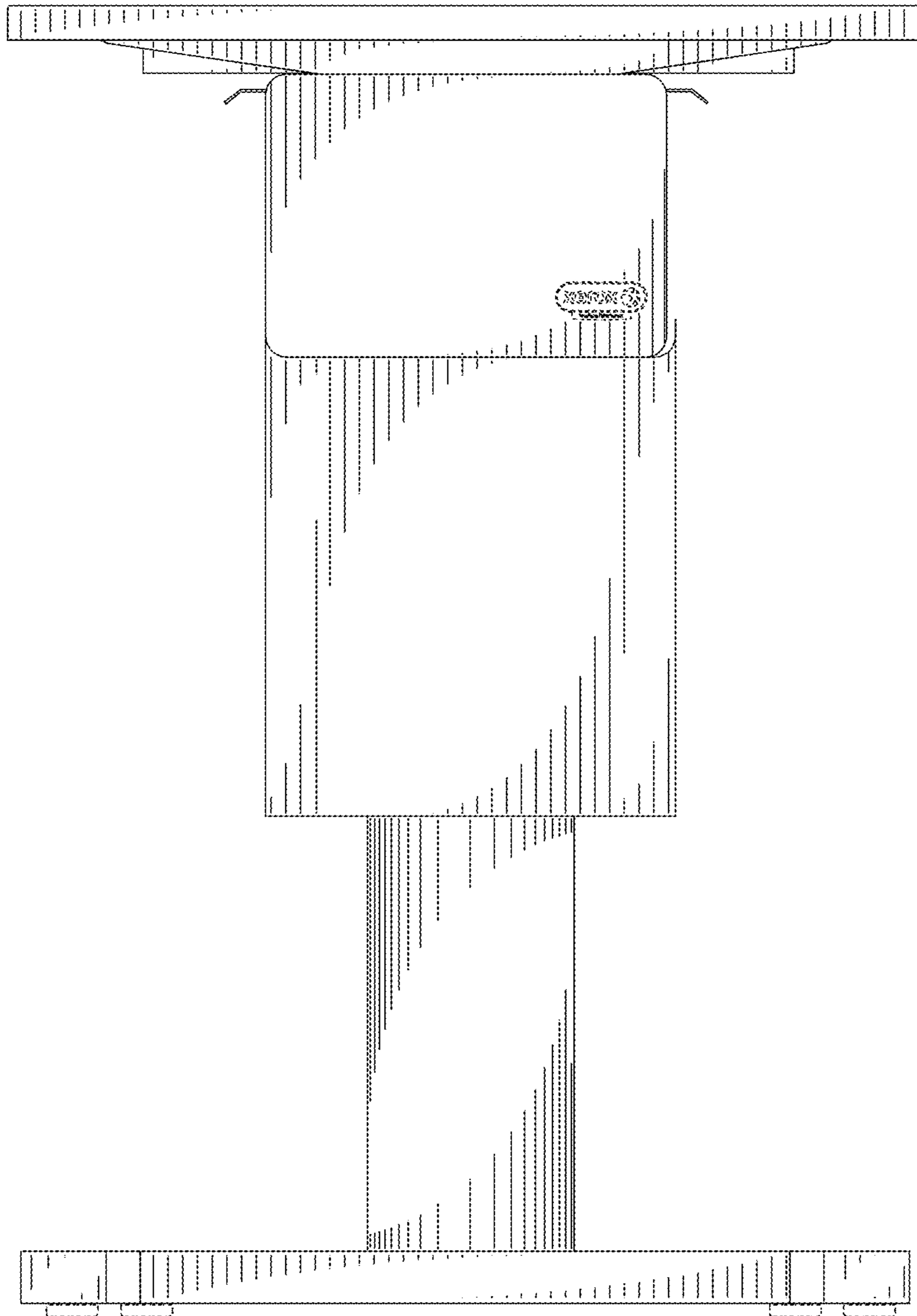


FIG. 2

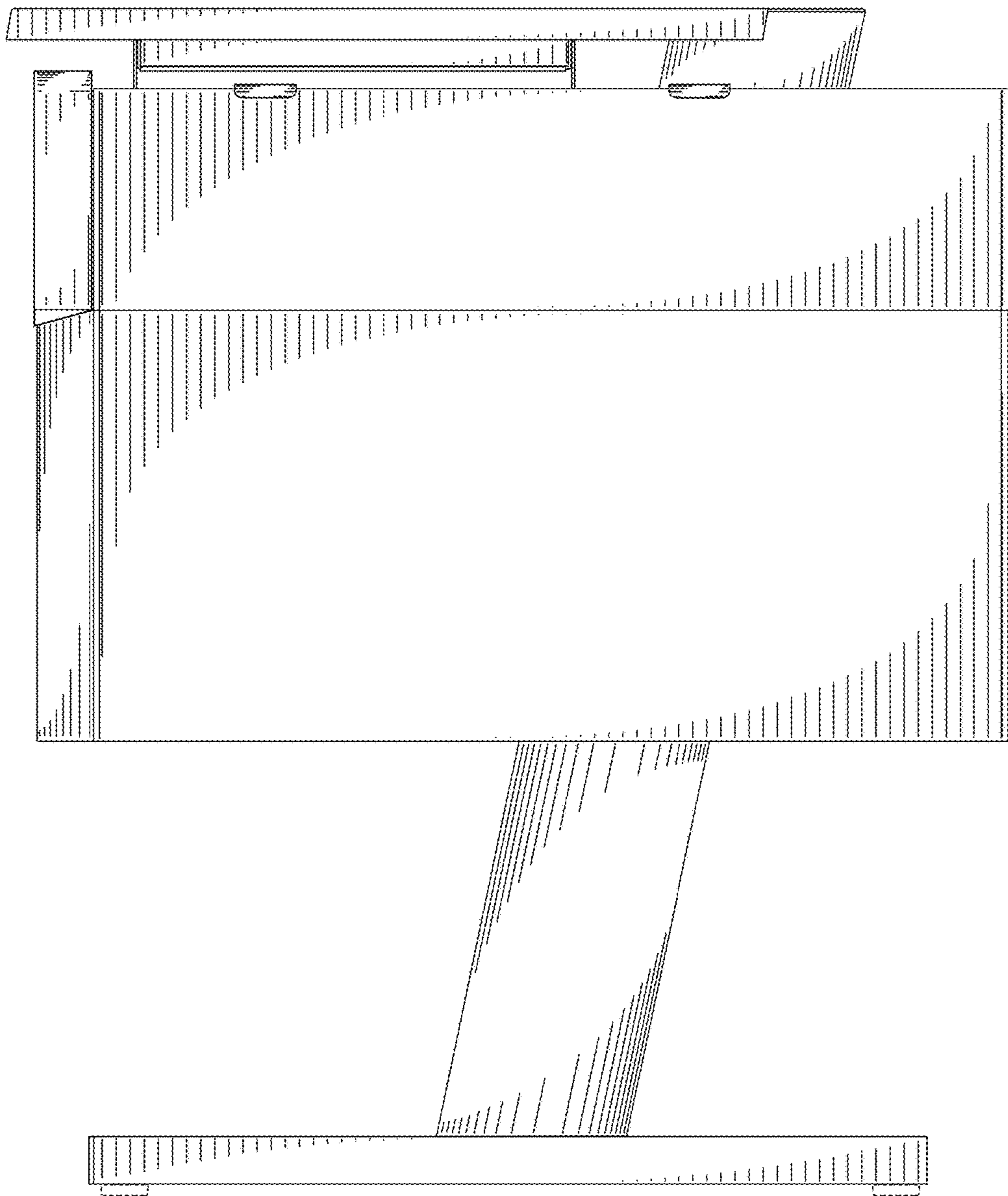


FIG. 3

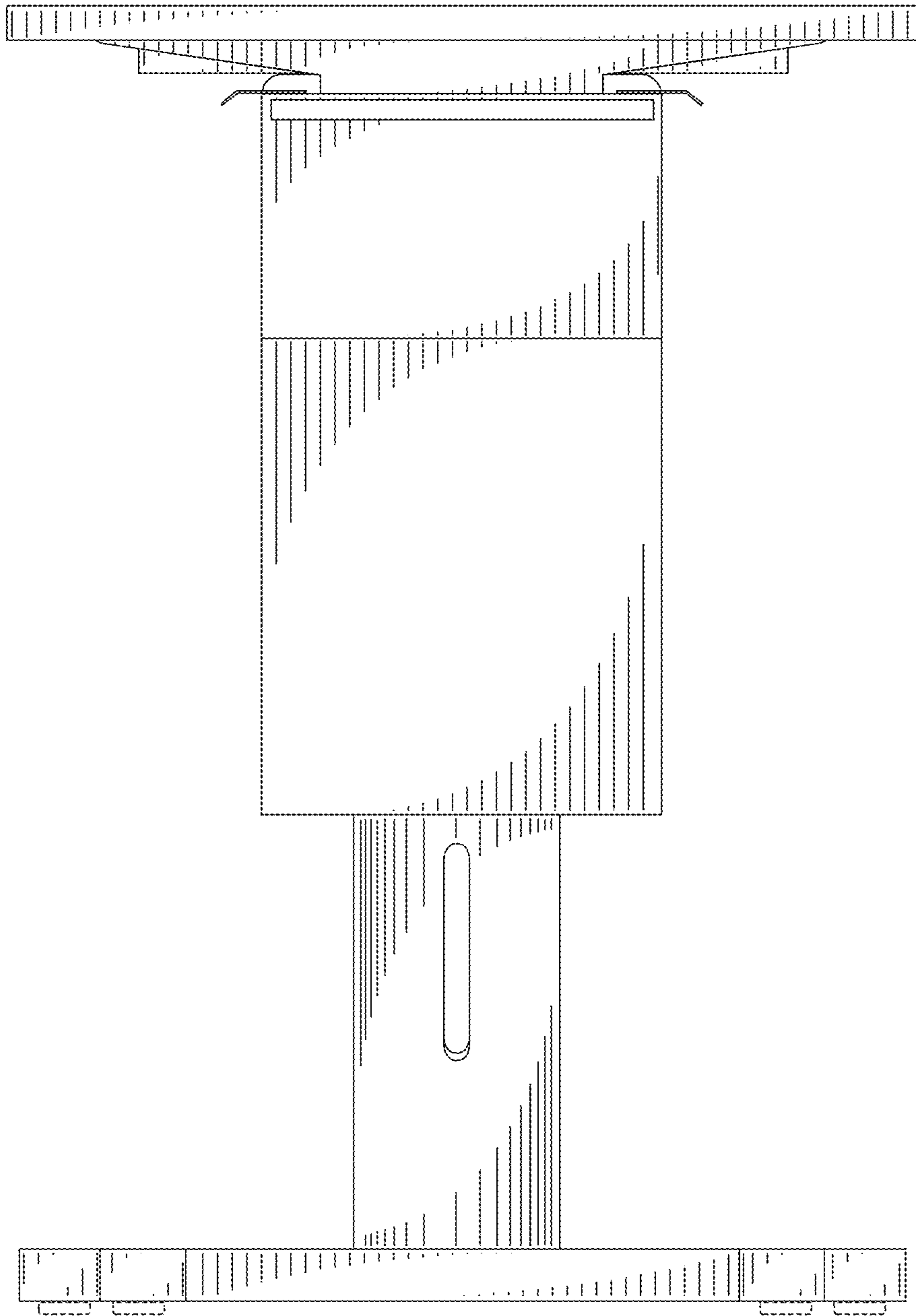


FIG. 4

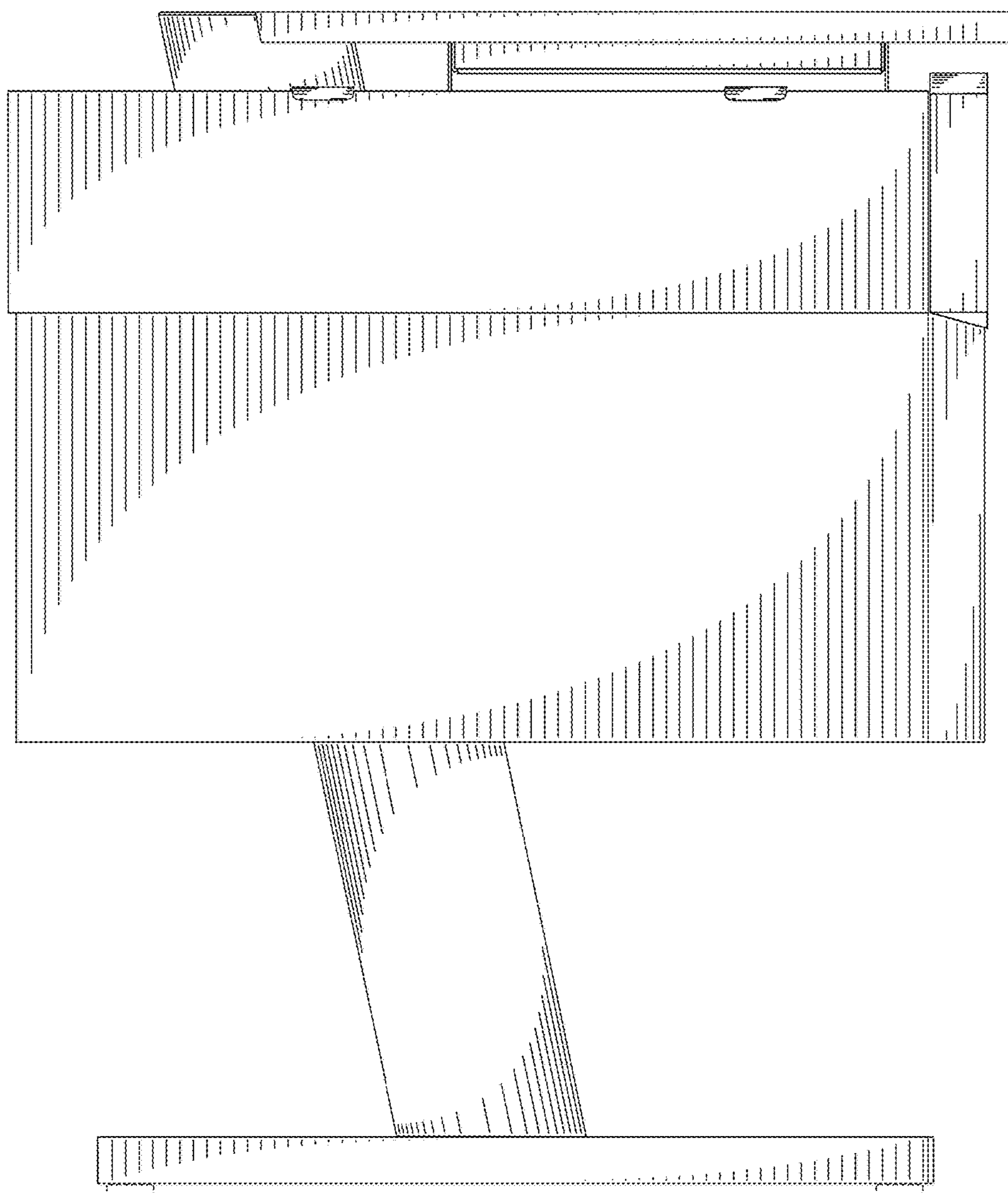


FIG. 5

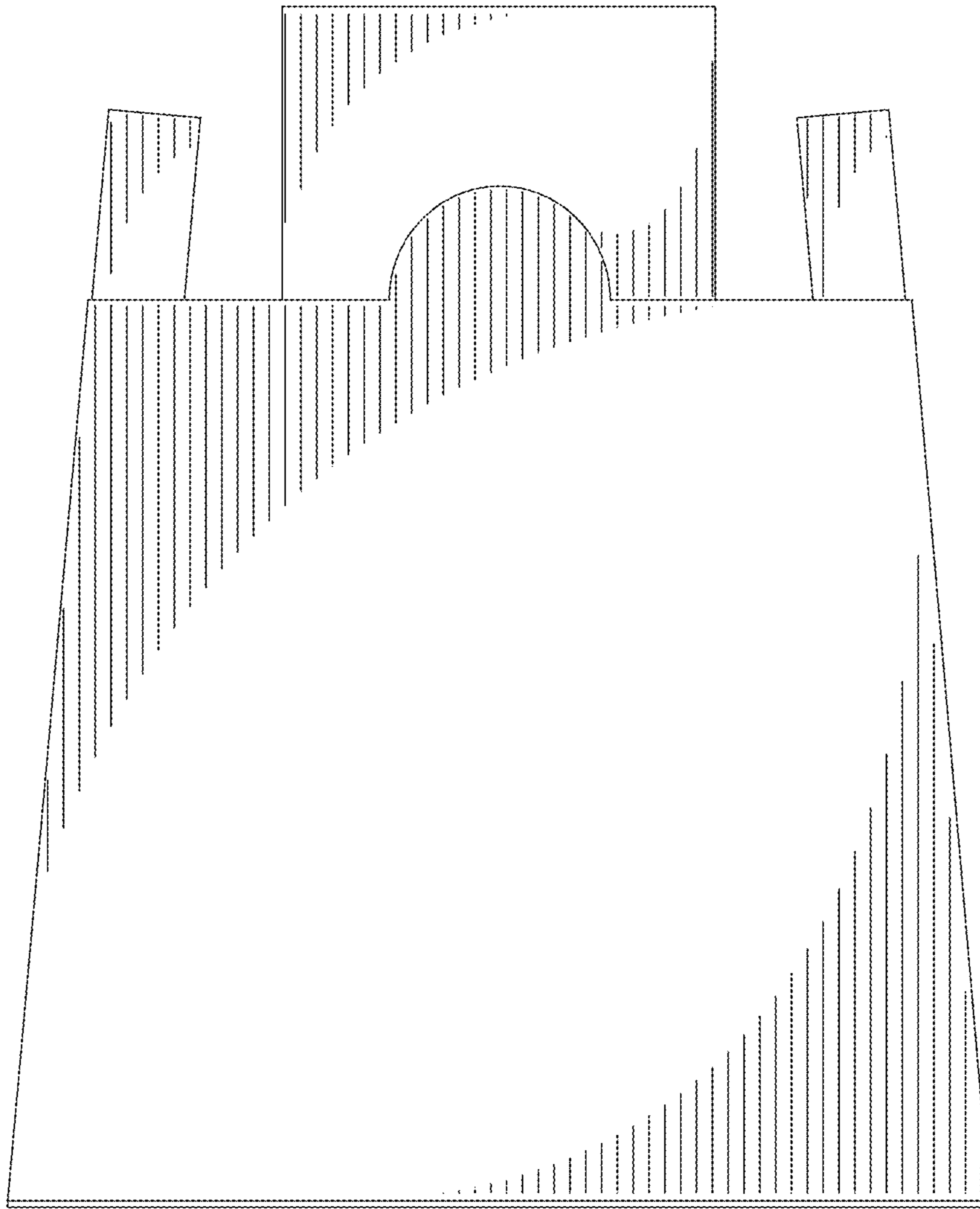


FIG. 6

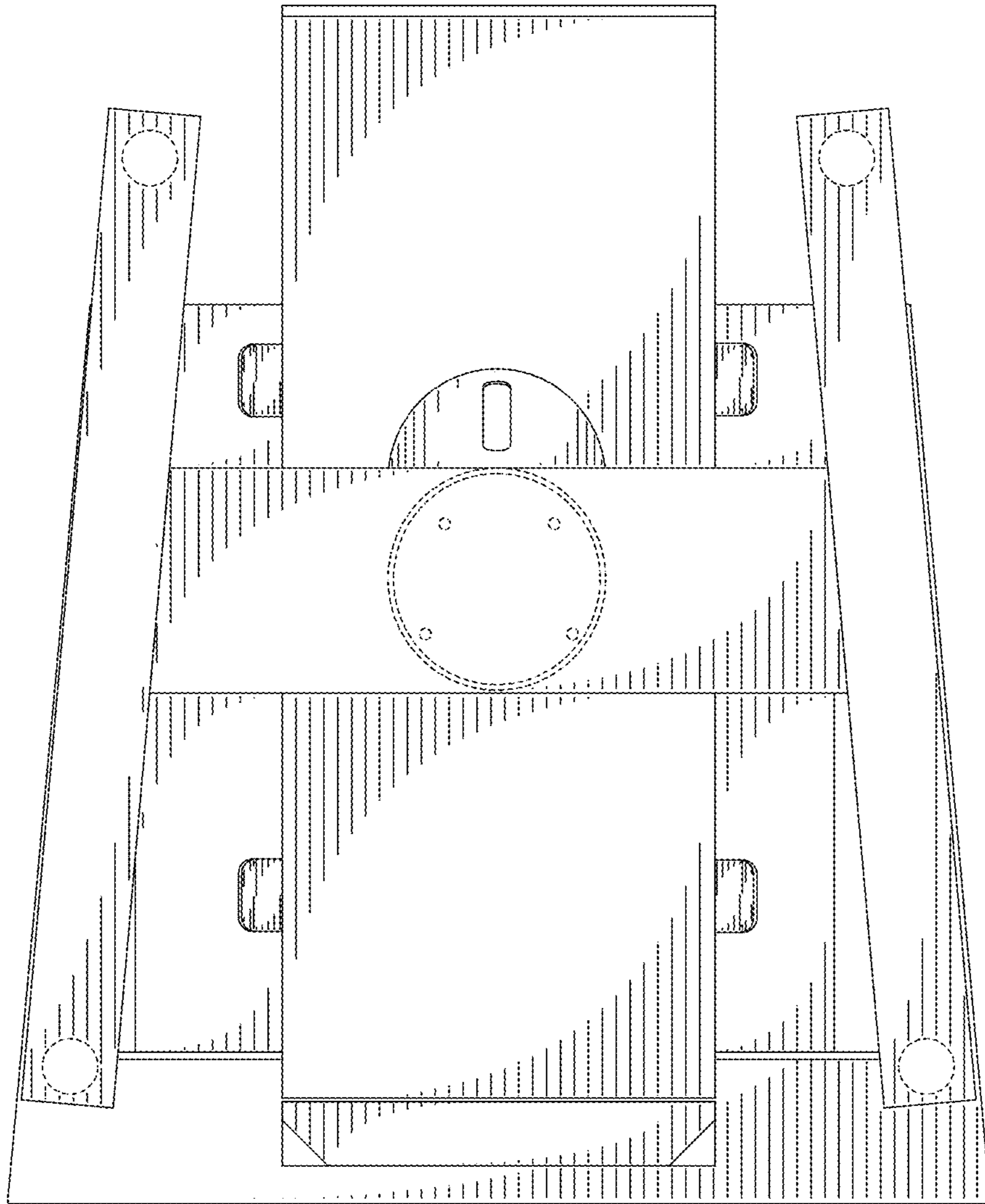


FIG. 7