



US00D824189S

(12) **United States Design Patent** (10) **Patent No.:** **US D824,189 S**
Yang et al. (45) **Date of Patent:** **** Jul. 31, 2018**

(54) **SHOWER CADDY**

397,558 A 2/1889 Lumley
 434,708 A 8/1890 Grier
 475,020 A 5/1892 Perry
 (Continued)

(71) Applicant: **simplehuman, LLC**, Torrance, CA (US)

(72) Inventors: **Frank Yang**, Rancho Palos Verdes, CA (US); **Di-Fong Chang**, Torrance, CA (US); **Myk Lum**, Irvine, CA (US); **Adam Wade**, Rancho Santa Margarita, CA (US)

FOREIGN PATENT DOCUMENTS

DE 29600613 U1 3/1996
 EP 0 717 947 A2 6/1996
 (Continued)

(73) Assignee: **simplehuman, LLC**, Torrance, CA (US)

(**) Term: **15 Years**

(21) Appl. No.: **29/594,906**

(22) Filed: **Feb. 23, 2017**

(51) **LOC (11) Cl.** **23-02**

(52) **U.S. Cl.**
 USPC **D6/525**

(58) **Field of Classification Search**
 USPC D6/524-525, 566, 536, 540, 567, 570;
 211/13.1, 74, 71.01, 86.01, 75, 88.01,
 211/90.01, 90.03, 106, 119, 126.1, 133.5,
 211/181.1, 134

CPC A47B 81/00; A47B 45/00; A47B 57/00;
 A47B 57/26; A47B 96/02; A47B 96/021;
 B65D 21/086; B65D 25/04; A47K 3/281;
 E03C 1/264; D06F 57/12

See application file for complete search history.

(56) **References Cited**

U.S. PATENT DOCUMENTS

141,186 A 7/1873 Thomas
 163,852 A 6/1875 Denman
 181,593 A 8/1876 Randall
 284,090 A 8/1883 Tingle
 387,758 A 8/1888 Barnhart

OTHER PUBLICATIONS

Amazon.com, Simplehuman adjustable, hanging shower caddy XL handheld-compatible stainless steel + anodized aluminum, May 11, 2017, https://www.amazon.com/simplehuman-adjustable-handheld-compatible-stainless-anodized/dp/B07258JL82/ref=sr_1_3 (Year: 2017).*

(Continued)

Primary Examiner — David Muller

Assistant Examiner — Nathan Johnston

(74) *Attorney, Agent, or Firm* — Knobbe, Martens, Olson & Bear, LLP

(57) **CLAIM**

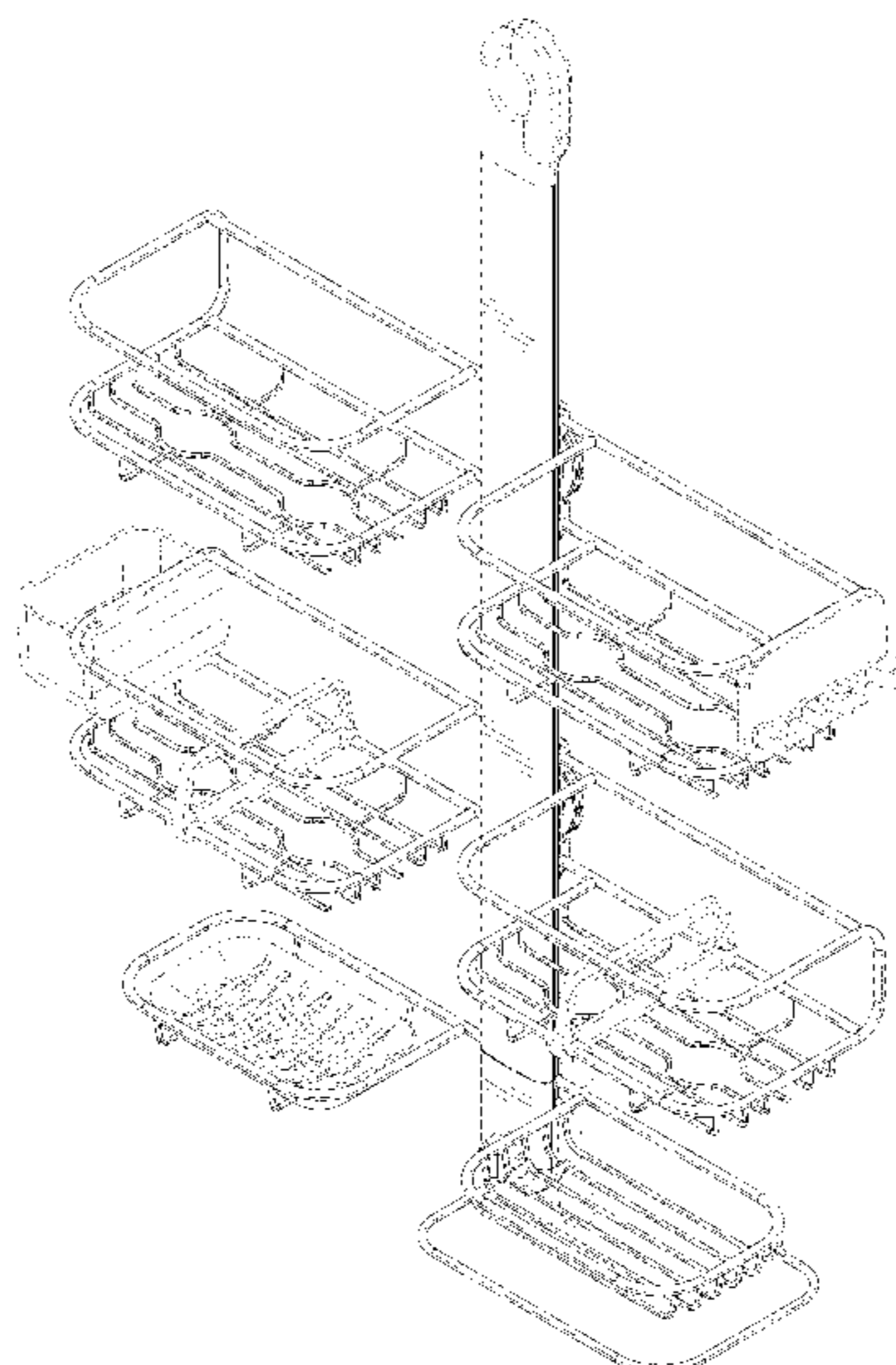
The ornamental design for a shower caddy, as shown and described.

DESCRIPTION

FIG. 1 is a top, front, left-side perspective view of a shower caddy embodying our design;
 FIG. 2 is a bottom, rear, right-side perspective view thereof;
 FIG. 3 is a front elevation view thereof;
 FIG. 4 is a rear elevation view thereof;
 FIG. 5 is a right-side elevation view thereof;
 FIG. 6 is a left-side elevation view thereof;
 FIG. 7 is a top plan view thereof; and,
 FIG. 8 is a bottom plan view thereof.

All features in broken line form no part of the claimed subject matter.

1 Claim, 6 Drawing Sheets



(56)

References Cited

U.S. PATENT DOCUMENTS

477,291 A	6/1892	Bomar	3,593,857 A	7/1971	Hernes
496,961 A	5/1893	Trude	D222,276 S	10/1971	Hughes
527,273 A	10/1894	Fowler	3,641,922 A	2/1972	Nachazel et al.
536,272 A	3/1895	Edsall	3,661,121 A	5/1972	Zielin
543,935 A	8/1895	Hostler	3,695,455 A	10/1972	Larson
612,061 A	10/1898	Shambaugh	3,710,096 A	1/1973	McFarlin
613,231 A	11/1898	Bennett	3,734,439 A	5/1973	Wintz
618,425 A	1/1899	Manger	3,787,078 A	1/1974	Williams
626,739 A	6/1899	Vanderman	3,789,996 A	2/1974	Stroh
644,080 A	2/1900	Huebel	3,791,091 A	2/1974	Albrizzi
661,755 A	11/1900	Thurstensen	3,807,574 A	4/1974	Lanza
799,233 A	9/1905	Hubbell	3,854,686 A	12/1974	Konstant
839,339 A	12/1906	Tuttle	3,894,707 A	7/1975	Heard
841,866 A	1/1907	Hollis	3,907,119 A	9/1975	Franz
845,917 A	3/1907	Worley	3,923,162 A	12/1975	Hussey
913,955 A	3/1909	Hansen	D239,579 S	4/1976	Taub
970,485 A	9/1910	Frey	3,954,182 A	5/1976	McEvers
1,026,149 A	5/1912	Crane	3,983,823 A	10/1976	McDonnell
1,071,428 A	8/1913	Jones	3,998,334 A	12/1976	Smith
1,254,094 A	1/1918	Vogt	4,018,019 A	4/1977	Raith et al.
1,446,036 A	2/1923	Willaim	4,033,539 A	7/1977	Bardocz
1,478,339 A	12/1923	Wade	4,059,915 A	11/1977	Owens
1,511,704 A	10/1924	Buck	4,096,951 A	6/1978	Menssen
1,554,137 A	9/1925	Slifkin	4,106,736 A	8/1978	Becker, III et al.
1,582,762 A	4/1926	Klock	D250,560 S	12/1978	Gordon
1,639,551 A	8/1927	Booth	4,154,356 A	5/1979	Schieve
1,931,321 A	10/1933	Keil	4,192,426 A	3/1980	Gauthier
2,012,452 A	8/1935	Littell	4,215,840 A	8/1980	Babberl
2,042,517 A	6/1936	Ellis	4,232,790 A	11/1980	Serrano
2,155,097 A	4/1939	Mendle	4,274,400 A	6/1981	Baus
2,157,309 A	5/1939	Swedman et al.	4,310,193 A	1/1982	Kolleas
2,199,851 A	5/1940	Freeman	4,360,283 A	11/1982	Psotta
2,254,770 A	9/1941	Bitney	4,387,811 A	6/1983	Ragir et al.
2,513,889 A	7/1950	Nilsson	4,415,091 A	11/1983	Wolff
2,593,738 A	4/1952	Dollahite	4,415,211 A	11/1983	Alissandratos
2,675,782 A	4/1954	Lage et al.	4,428,488 A	1/1984	McAvinn et al.
2,677,519 A	5/1954	Hobson	4,437,450 A	3/1984	Connelly
2,693,751 A	11/1954	Allen	D273,645 S	5/1984	McEvers
2,746,661 A	5/1956	Kaplan	D274,201 S	6/1984	Aaron
2,788,902 A	4/1957	Nowicki	4,511,047 A	4/1985	Elinsky
2,837,219 A	6/1958	Ferdinand et al.	4,541,131 A	9/1985	Sussman
2,868,386 A	1/1959	Seyforth	4,559,879 A	12/1985	Hausser
2,919,873 A	1/1960	Tice	D286,599 S	11/1986	Sussman
2,923,415 A	2/1960	Brown	D289,353 S	4/1987	Davis et al.
2,923,428 A	2/1960	Averill	4,664,428 A	5/1987	Bridges
2,928,512 A	3/1960	Slater et al.	D293,183 S	12/1987	Aaron
2,932,873 A	4/1960	Reichert	D294,902 S *	3/1988	Sussman D6/525
2,936,146 A	5/1960	Wunder	4,761,092 A	8/1988	Nakatani
2,937,766 A	5/1960	Penn	4,771,897 A	9/1988	Ho
2,941,669 A	6/1960	Palay et al.	4,771,899 A	9/1988	Benedict et al.
D188,332 S	7/1960	Salen	4,776,471 A	10/1988	Elkins
D189,722 S	2/1961	Wolf	4,786,022 A	11/1988	Grieshaber
2,976,003 A	3/1961	Foster	4,805,784 A	2/1989	Solheim et al.
2,977,953 A	4/1961	Dowdy	4,860,909 A	8/1989	Leumi
3,035,708 A	5/1962	Freeman	4,865,283 A	9/1989	Parker
3,043,440 A	7/1962	Berlin	4,869,378 A	9/1989	Miller
3,059,374 A	10/1962	Bernay	4,869,379 A	9/1989	Hawkrige
3,088,598 A	5/1963	Werneke	4,875,593 A	10/1989	Trimble
D195,412 S	6/1963	Vernik	4,883,399 A	11/1989	MacLean
3,111,723 A	11/1963	Bates	4,895,331 A	1/1990	Nehls
3,115,107 A	12/1963	Glenny	4,909,467 A	3/1990	Shan-Pao
3,119,496 A	1/1964	Burk	D314,294 S	2/1991	Axhamre
3,124,253 A	3/1964	Pelrich et al.	4,998,647 A	3/1991	Sharp
3,132,609 A	5/1964	Chesley	D315,840 S	4/1991	Emery
3,134,474 A	5/1964	Marchman	5,014,860 A	5/1991	Emery
3,138,260 A	6/1964	Tedrick	5,023,755 A	6/1991	Rosenberg
3,181,923 A	5/1965	Guillon et al.	5,083,670 A	1/1992	Zimmer
3,239,182 A	3/1966	Blanz	D327,187 S	6/1992	Swon
3,266,764 A	8/1966	Briles	5,127,528 A	7/1992	Cone
3,307,710 A	3/1967	Negri	5,160,101 A	11/1992	Ferraro et al.
3,319,983 A	5/1967	Zibell	5,165,644 A	11/1992	Allen
3,323,851 A	6/1967	Duboff	5,180,067 A	1/1993	Conaway et al.
3,343,685 A	9/1967	Giambalvo	5,190,170 A	3/1993	Steiner
3,471,031 A	10/1969	Coplan	5,192,427 A	3/1993	Eger et al.
3,533,583 A	10/1970	Azim	5,197,614 A	3/1993	Dalton et al.
			D340,604 S	10/1993	Conaway et al.
			5,255,401 A	10/1993	Sambrookes et al.
			5,284,260 A	2/1994	Caligiuri, Sr.
			5,307,797 A	5/1994	Kleefeld

(56)

References Cited

U.S. PATENT DOCUMENTS

5,318,175 A	6/1994	Stevens		6,347,777 B1	2/2002	Webber et al.	
D351,750 S *	10/1994	Sweeney	D6/525	6,378,709 B1	4/2002	Stuart	
D351,751 S	10/1994	Brightbill et al.		6,394,404 B1	5/2002	Cyrell	
5,355,867 A	10/1994	Hall et al.		6,409,029 B1	6/2002	Bermes	
5,429,252 A	7/1995	Liu		D462,552 S	9/2002	Emery et al.	
5,462,178 A	10/1995	Wallach et al.		6,481,586 B1	11/2002	Hoff	
5,483,761 A	1/1996	Simpson		6,494,327 B2	12/2002	Huang	
5,505,318 A	4/1996	Goff		6,502,794 B1	1/2003	Ting	
5,505,319 A	4/1996	Todd, Jr.		D470,703 S	2/2003	Hoernig	
D370,809 S	6/1996	Munoz et al.		6,520,351 B1	2/2003	Zadro	
D370,810 S	6/1996	Munoz		6,527,473 B2	3/2003	Chen	
D371,031 S	6/1996	Munoz et al.		D472,750 S	4/2003	Clucas	
5,524,772 A	6/1996	Simmons		D473,084 S	4/2003	Suero, Jr.	
5,527,273 A	6/1996	Manna et al.		D473,411 S	4/2003	Walker	
D376,941 S	12/1996	Munoz et al.		6,540,430 B2	4/2003	Hsu	
D376,942 S *	12/1996	Munoz	D6/525	6,550,739 B1	4/2003	Brindisi	
5,588,543 A	12/1996	Finger		6,551,226 B1	4/2003	Webber et al.	
D377,286 S	1/1997	Munoz		D475,560 S	6/2003	Suero, Jr.	
D378,556 S	3/1997	Munoz		D475,561 S	6/2003	Suero, Jr.	
5,620,105 A	4/1997	Macek		6,575,315 B2	6/2003	Zidek	
5,632,049 A	5/1997	Chen		6,581,790 B1	6/2003	Zadro	
D382,733 S	8/1997	Goetz		6,591,996 B1	7/2003	Wu	
5,666,940 A	9/1997	Kreiter		D477,947 S	8/2003	Snell	
D387,595 S	12/1997	Whang		D479,073 S	9/2003	Snell	
5,692,817 A	12/1997	Jun et al.		D479,074 S *	9/2003	Snell	A47K 3/281 D6/525
5,697,508 A	12/1997	Rifkin et al.		6,619,164 B1	9/2003	Ricci et al.	
5,702,010 A	12/1997	Liang		6,648,152 B2	11/2003	Bermes	
D388,642 S	1/1998	Winter		D483,251 S	12/2003	Suero, Jr.	
D392,135 S *	3/1998	Pagan-Demirtas	D6/525	D485,462 S	1/2004	Suero, Jr.	
5,735,413 A	4/1998	Allen		6,688,238 B1	2/2004	Alexiou	
D394,771 S *	6/1998	Hofman	D6/525	6,726,034 B2	4/2004	Holbrook et al.	
5,772,048 A	6/1998	Sopcisak		D489,207 S	5/2004	Rosen	
5,772,050 A	6/1998	Shih		D492,188 S	6/2004	Goldberg	
D395,773 S	7/1998	Hofman		6,758,355 B2	7/2004	Zidek	
D396,157 S *	7/1998	Hofman	D6/525	D493,991 S	8/2004	Dretzka	
D396,379 S	7/1998	Stoetzel		D495,549 S	9/2004	Yu et al.	
D396,585 S	8/1998	Hofman		D498,102 S	11/2004	Snell	
D397,567 S	9/1998	Hofman		6,824,000 B2	11/2004	Samelson	
D400,745 S	11/1998	France		6,824,225 B2	11/2004	Stiffler	
5,833,192 A	11/1998	Buhrman		D501,106 S *	1/2005	Suero, Jr.	D6/514
D402,145 S	12/1998	Hofman et al.		6,848,144 B1	2/2005	McDonald	
5,855,184 A	1/1999	Eichler et al.		6,871,748 B2	3/2005	Suttles	
5,855,286 A	1/1999	Zaid		6,918,498 B2	7/2005	Sparkowski	
5,897,002 A	4/1999	Carlino		D509,361 S	9/2005	Suero, Jr.	
D409,424 S	5/1999	Hofman et al.		6,957,794 B2	10/2005	Landreville et al.	
5,899,423 A	5/1999	Albertini		D512,861 S	12/2005	Rosen	
5,934,636 A	8/1999	Cyrell		6,983,853 B1	1/2006	Fickett	
5,941,397 A	8/1999	Buchanan et al.		D516,901 S	3/2006	Murray	
5,944,896 A	8/1999	Landesman et al.		7,021,814 B2	4/2006	Berardi	
5,984,114 A	11/1999	Frankel		7,059,271 B2	6/2006	Santa Cruz et al.	
D417,991 S	12/1999	Hofman et al.		7,086,633 B2	8/2006	Welch et al.	
D419,020 S	1/2000	Emery et al.		D530,551 S	10/2006	Snell	
6,017,009 A	1/2000	Swartz et al.		D533,283 S	12/2006	Holztrager	
D421,692 S	3/2000	Wojtowicz et al.		D534,062 S	12/2006	van den Bosch	
D421,867 S	3/2000	Carville et al.		7,152,488 B2	12/2006	Hedrich et al.	
6,050,426 A	4/2000	Leurdijk		7,195,213 B2	3/2007	Weatherly	
D424,355 S	5/2000	Barton		D543,747 S	6/2007	Harwanko	
6,065,618 A	5/2000	Stetler		D544,786 S	6/2007	Barrese	
D427,469 S	7/2000	Thurston-Chartraw et al.		7,229,059 B1	6/2007	Hood	
D429,091 S	8/2000	Chen		D546,879 S	7/2007	Qiu	
D429,934 S	8/2000	Hofman		7,246,711 B1	7/2007	Metcalf	
6,113,042 A	9/2000	Welsch et al.		7,255,312 B2	8/2007	Melic	
6,119,878 A	9/2000	Zen		D552,391 S	10/2007	Rosen	
6,123,303 A	9/2000	Huang		D552,392 S *	10/2007	Rosen	A47K 3/281 D6/525
6,135,668 A	10/2000	Lin		D552,393 S	10/2007	Rosen	
6,152,312 A	11/2000	Nava et al.		7,275,647 B1	10/2007	Thompson	
6,206,206 B1	3/2001	Saylor et al.		D557,050 S *	12/2007	Dretzka	A47K 3/281 D6/525
6,233,877 B1	5/2001	Monroe		7,316,376 B1	1/2008	Engler	
D443,162 S	7/2001	Winter		D562,608 S *	2/2008	Kramer	D6/525
D444,333 S	7/2001	Ferrer Beltran		D562,609 S *	2/2008	Kramer	D6/525
D446,670 S	8/2001	Emery et al.		D564,257 S	3/2008	Yang et al.	
6,302,036 B1	10/2001	Carson et al.		D564,271 S *	3/2008	Snider	A47K 3/281 D6/525
6,302,280 B1	10/2001	Bermes		D564,816 S *	3/2008	Snider	A47K 3/281 D6/525
6,311,856 B2	11/2001	Battaglia et al.		7,347,197 B2	3/2008	Hankinson	
6,318,572 B1	11/2001	Lai					

(56)

References Cited

U.S. PATENT DOCUMENTS

D566,991 S 4/2008 Harwanko
 D568,657 S 5/2008 Snider
 D568,658 S 5/2008 Yang et al.
 D569,148 S 5/2008 Yang et al.
 D569,149 S 5/2008 Walker
 D572,060 S 7/2008 Snider
 D572,061 S * 7/2008 Snider A47K 3/281
 D6/525
 D572,062 S * 7/2008 Snider A47K 3/281
 D6/525
 D572,502 S 7/2008 Yang et al.
 D572,516 S 7/2008 Snider
 D573,386 S 7/2008 Clucas
 D573,387 S 7/2008 Walker
 D573,822 S 7/2008 Yang et al.
 7,398,790 B2 7/2008 Glatz
 7,401,754 B2 7/2008 Welch et al.
 D574,649 S 8/2008 Snider
 D574,650 S 8/2008 Snider
 D575,087 S * 8/2008 Ghiorghie A47K 3/281
 D6/525
 7,407,060 B2 8/2008 Swartz et al.
 D578,815 S 10/2008 Dominique et al.
 D579,254 S 10/2008 Dominique et al.
 D587,504 S 3/2009 Russell et al.
 D589,728 S 4/2009 Shaha et al.
 D598,688 S 8/2009 Yang et al.
 7,591,385 B2 9/2009 Brooks
 D603,198 S * 11/2009 Guindi A47K 3/281
 D6/525
 D615,333 S 5/2010 Snell
 D616,235 S * 5/2010 Guindi D6/525
 D617,128 S 6/2010 Guindi
 7,770,742 B1 * 8/2010 Wagner A47K 3/281
 211/113
 D622,990 S 9/2010 Yang et al.
 D627,969 S 11/2010 Klein et al.
 D628,000 S * 11/2010 Lindo A47K 3/281
 D6/525
 D628,385 S 12/2010 Klein et al.
 D628,841 S 12/2010 Yang et al.
 D630,035 S * 1/2011 Snider A47K 3/281
 D6/525
 D632,081 S 2/2011 Klein et al.
 D632,513 S * 2/2011 Cittadino A47K 3/281
 D6/525
 D632,514 S 2/2011 Didehvar et al.
 D635,807 S 4/2011 Lindo
 D640,488 S 6/2011 Didehvar et al.
 D641,191 S 7/2011 Walker
 D641,193 S 7/2011 Vaccaro
 7,975,653 B2 7/2011 Cash
 D643,236 S * 8/2011 Cittadino D6/525
 D644,050 S 8/2011 Cittadino
 D647,746 S * 11/2011 Tawil D6/525
 D647,747 S * 11/2011 Guindi D6/525
 D651,837 S 1/2012 Yang et al.
 D651,838 S 1/2012 Yang et al.
 8,225,946 B2 7/2012 Yang et al.
 D670,520 S 11/2012 Gilbert
 D676,696 S * 2/2013 Primeau D6/525
 D677,089 S * 3/2013 Tawil D6/525
 D677,957 S 3/2013 Tawil
 8,408,405 B2 4/2013 Yang et al.
 D683,165 S 5/2013 Yang et al.
 8,474,632 B2 7/2013 Yang et al.
 D694,548 S * 12/2013 Snell D6/525
 D698,575 S * 2/2014 Tawil D6/525
 D699,478 S 2/2014 Snider
 8,763,821 B2 7/2014 Yang et al.
 8,845,045 B2 9/2014 Stubblefield
 D714,571 S * 10/2014 Walker D6/525
 D718,071 S * 11/2014 Snider D6/525
 D718,554 S * 12/2014 Snider D6/525

8,950,599 B2 2/2015 Wilder
 D723,834 S * 3/2015 Tawil D6/525
 D726,441 S 4/2015 Yang et al.
 D727,060 S 4/2015 Yang et al.
 D728,260 S * 5/2015 Snider D6/525
 D734,956 S 7/2015 Yang et al.
 D753,411 S 4/2016 Yang et al.
 9,339,151 B2 5/2016 Yang et al.
 D769,074 S * 10/2016 Tsai D28/61
 D769,641 S 10/2016 Yang et al.
 D770,197 S 11/2016 Yang et al.
 D770,198 S 11/2016 Yang et al.
 9,549,611 B1 * 1/2017 Bocanegra A47B 81/00
 D787,227 S * 5/2017 Ghiorghie D6/525
 D790,247 S * 6/2017 Snell D6/524
 D806,434 S 1/2018 Yang et al.
 9,883,742 B2 2/2018 Yang et al.
 2001/0004064 A1 6/2001 Battaglia et al.
 2002/0158033 A1 10/2002 Chen
 2002/0172549 A1 11/2002 Koros et al.
 2003/0000905 A1 1/2003 Zidek
 2003/0132181 A1 7/2003 Saulnier-Matteini
 2003/0136782 A1 7/2003 Dicello et al.
 2003/0222191 A1 12/2003 Tsai
 2004/0188369 A1 9/2004 Yu
 2004/0188577 A1 9/2004 Gaderick
 2005/0040301 A1 2/2005 Walter
 2005/0139562 A1 6/2005 Chen
 2005/0205509 A1 9/2005 Flynn
 2005/0205722 A1 9/2005 Krueger
 2006/0038097 A1 2/2006 Diller
 2006/0124812 A1 6/2006 Berardi
 2006/0130381 A1 6/2006 Caterinacci
 2006/0180561 A1 8/2006 Wisnoski et al.
 2006/0261022 A1 11/2006 Sampaio
 2007/0045208 A1 3/2007 Quan
 2007/0194191 A1 8/2007 Persson
 2007/0235611 A1 10/2007 Riblet
 2007/0295681 A1 12/2007 Colin
 2008/0053935 A1 3/2008 Newbould et al.
 2008/0142669 A1 6/2008 Zlotocha
 2009/0134290 A1 5/2009 Begic et al.
 2009/0188880 A1 7/2009 Yang et al.
 2010/0000449 A1 1/2010 Botkin
 2012/0091088 A1 4/2012 Didehvar et al.
 2013/0313212 A1 11/2013 Lindo et al.
 2014/0319083 A1 10/2014 Stark
 2015/0257533 A1 9/2015 Yang et al.
 2016/0120303 A1 5/2016 Constantino et al.
 2016/0183737 A1 6/2016 Yang et al.

FOREIGN PATENT DOCUMENTS

FR 2549361 1/1985
 JP D1136196 1/2002
 KR 3020030000821 3/2003
 WO WO 2009/097298 8/2009
 WO WO 2013/005462 A1 1/2013
 WO WO 2015/138257 A1 9/2015

OTHER PUBLICATIONS

Magnite—The Magnetic Shower Caddy by Max Hunt, Coroflot product webpage; apparently available Aug. 10, 2012 [retrieved on Feb. 17, 2015 from internet <URL: <http://www.coroflot.com/theha/Magnite-The-Magnetic-Shower-Caddy>].
 White Adjustable Shower Caddy, Simplehuman SKU# BT1015, apparently available Dec. 14, 2007 on the internet at www.simplehuman.com (see <http://web.archive.org/web/20071221125437/www.simplehuman.com/products/bathroom-organization/white-shower-caddy.html>).
 Shower Shelf—Anodized Aluminum, Simplehuman SKU# BT1097, apparently available Dec. 23, 2015 on the internet at www.simplehuman.com (see <http://www.simplehuman.com/shower-shelf-anodized-aluminum>).
 Adjustable Shower Caddy Plus—Stainless Steel + Anodized Aluminum, Simplehuman SKU# BT1099, apparently available Nov. 1,

(56)

References Cited

OTHER PUBLICATIONS

2015 on the internet at www.simplehuman.com (see <http://www.simplehuman.com/adjustable-shower-caddy-plus-stainless-steel-anodized-aluminum>).

Adjustable Shower Caddy—Stainless Steel + Anodized Aluminum, Simplehuman SKU# BT1098, apparently available Mar. 17, 2015 on the internet at www.simplehuman.com (see <http://www.simplehuman.com/adjustable-shower-caddy-stainless-steel-anodized-aluminum2>).

Amazon.com, Simplehuman adjustable shower caddy, stainless steel and anodized aluminum, apparently available Apr. 2015, https://www.amazon.com/simplehuman-adjustable-stainless-anodized-aluminum/dp/B00PR0V2BE/ref=sr_1_2?ie=UTF8&qid=1497983619&sr=8-2&keywords=shower+caddy+simplehuman.

* cited by examiner

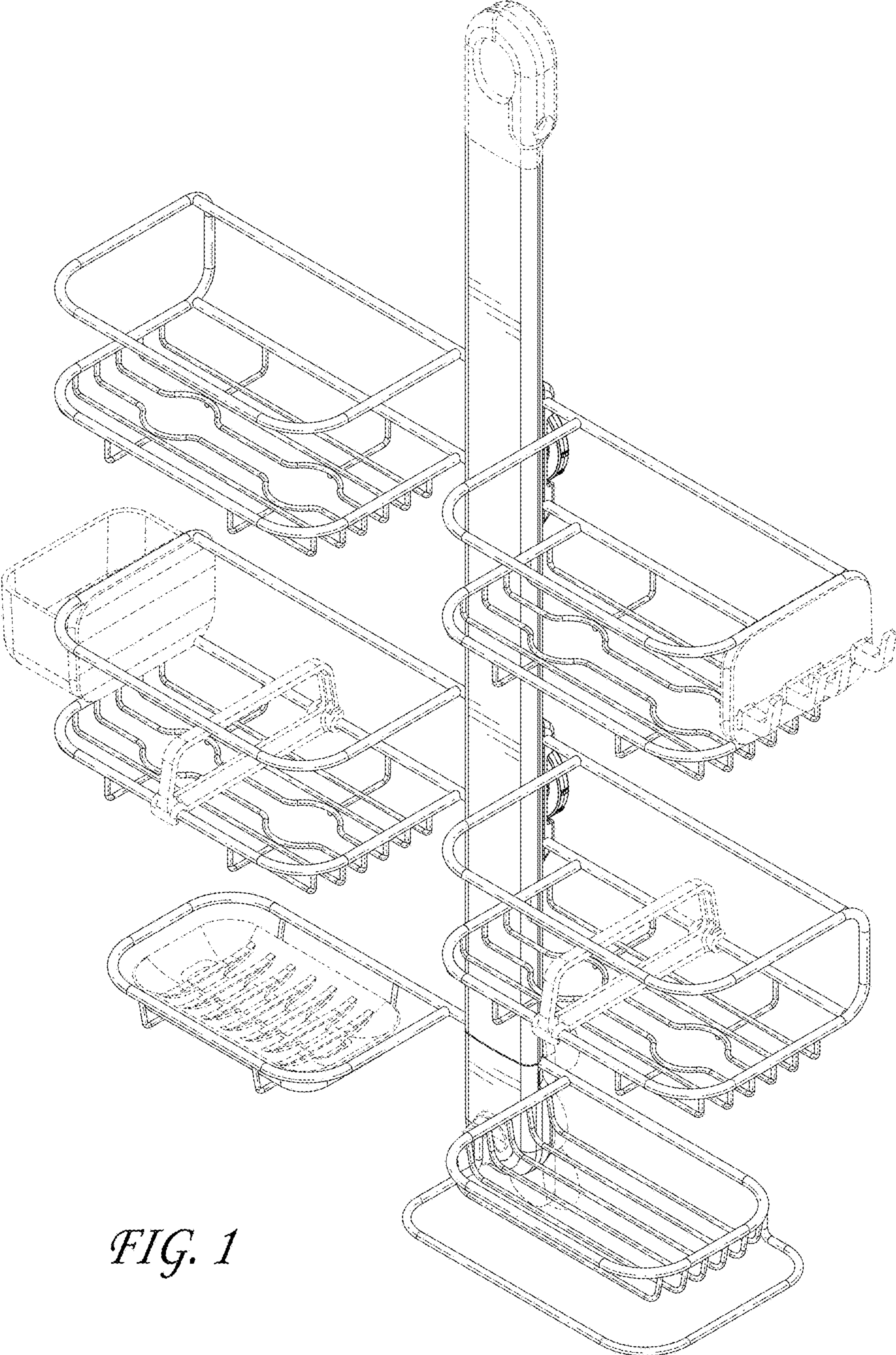


FIG. 1

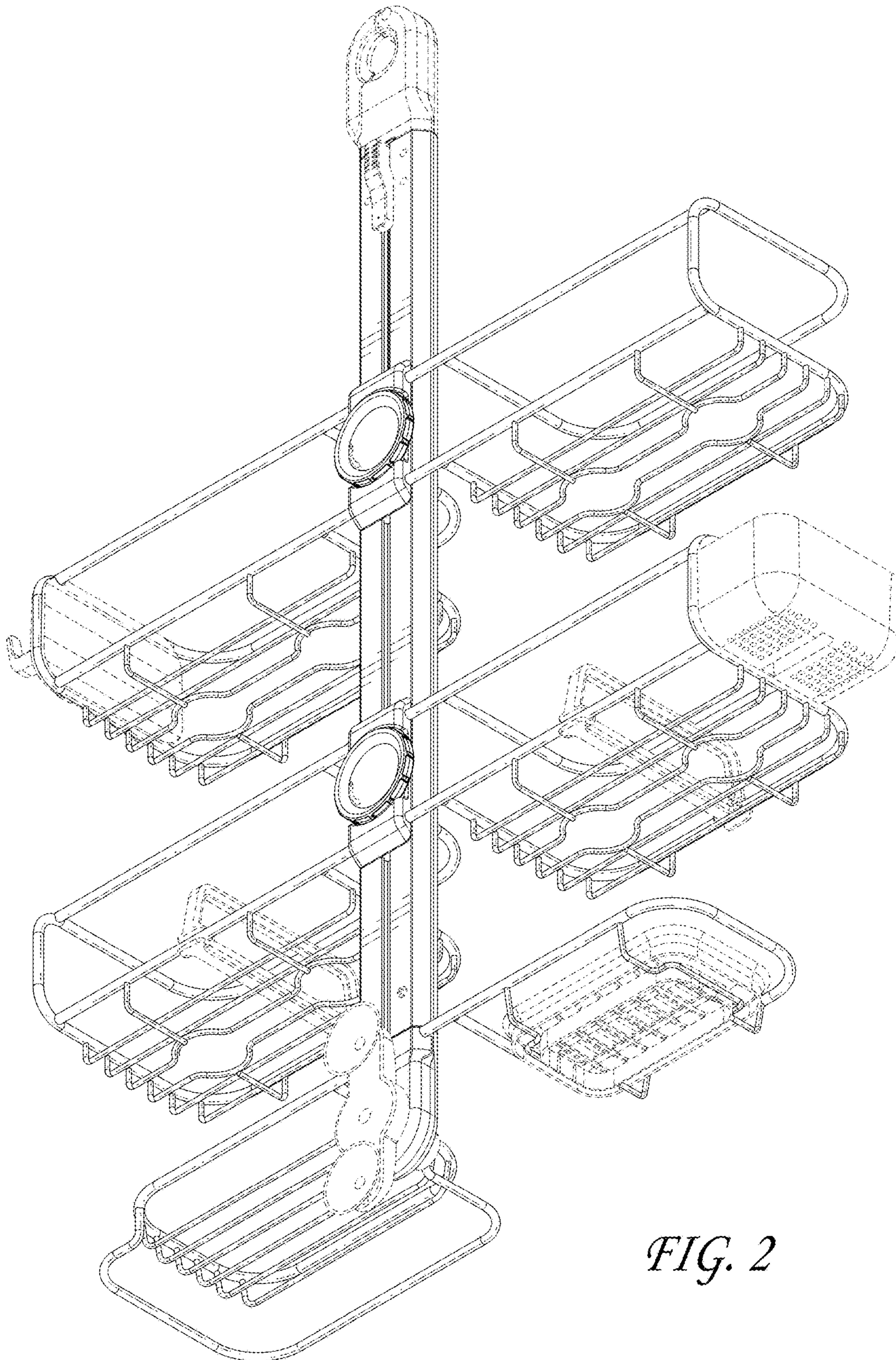


FIG. 2

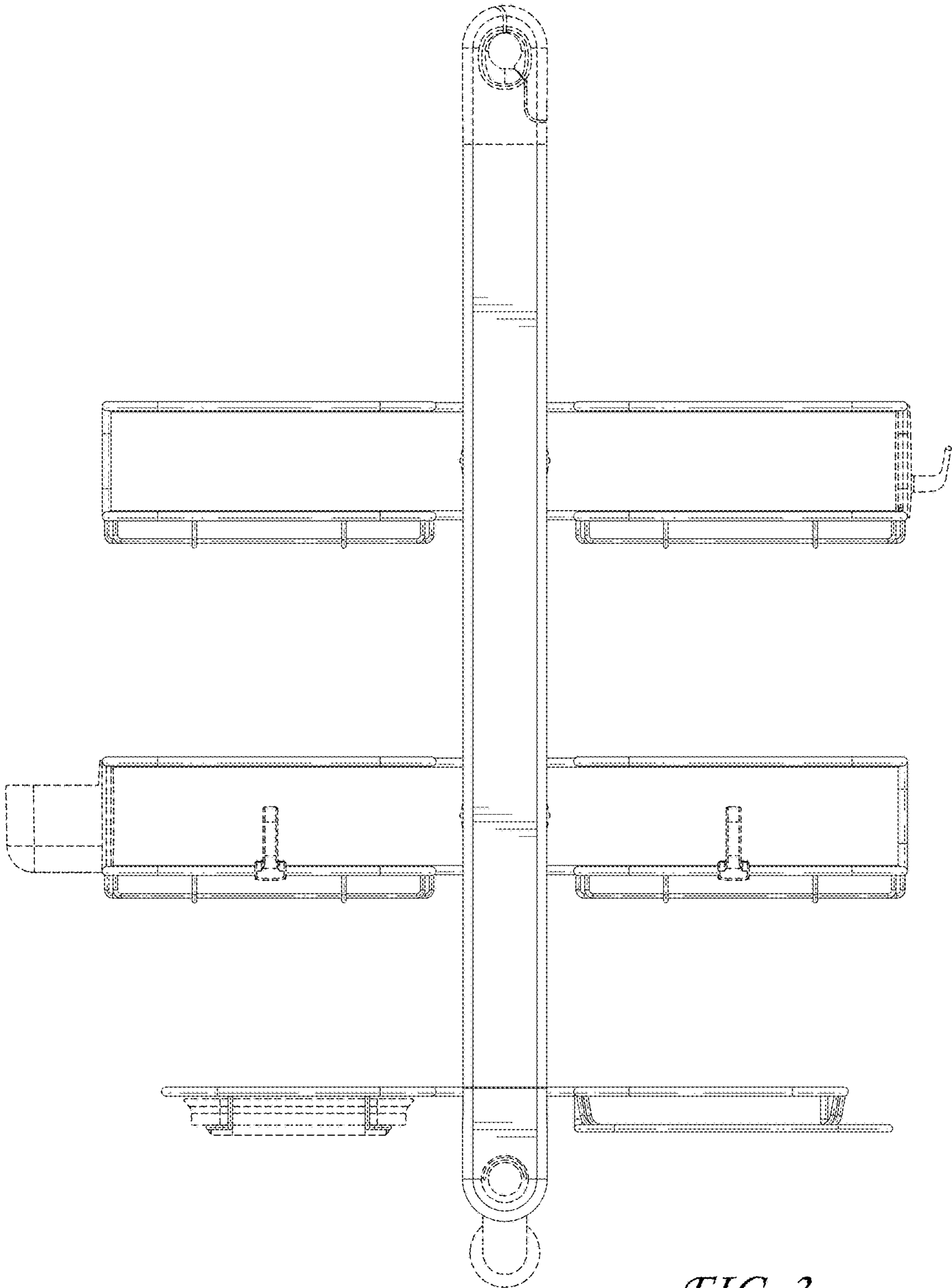


FIG. 3

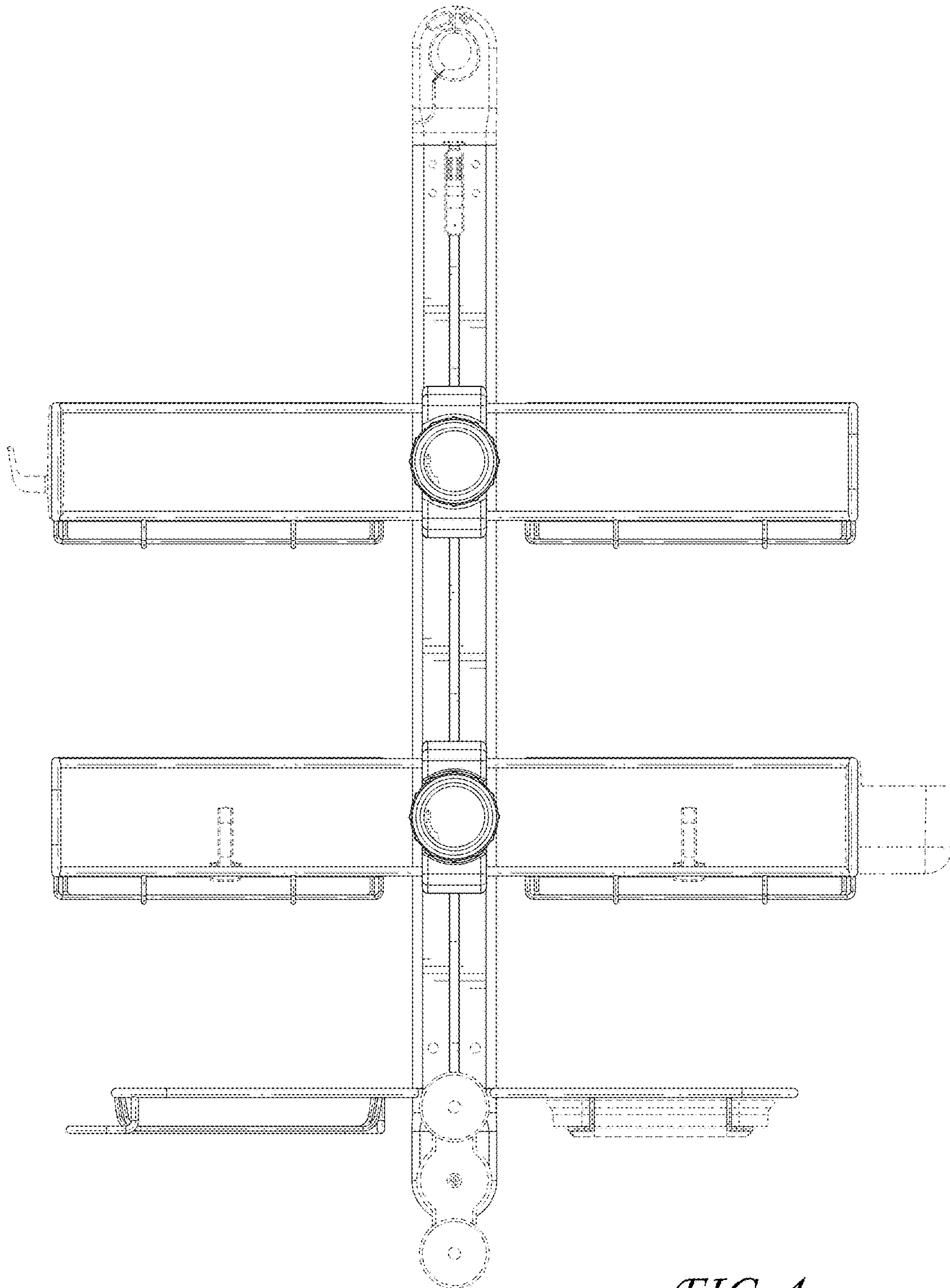


FIG. 4

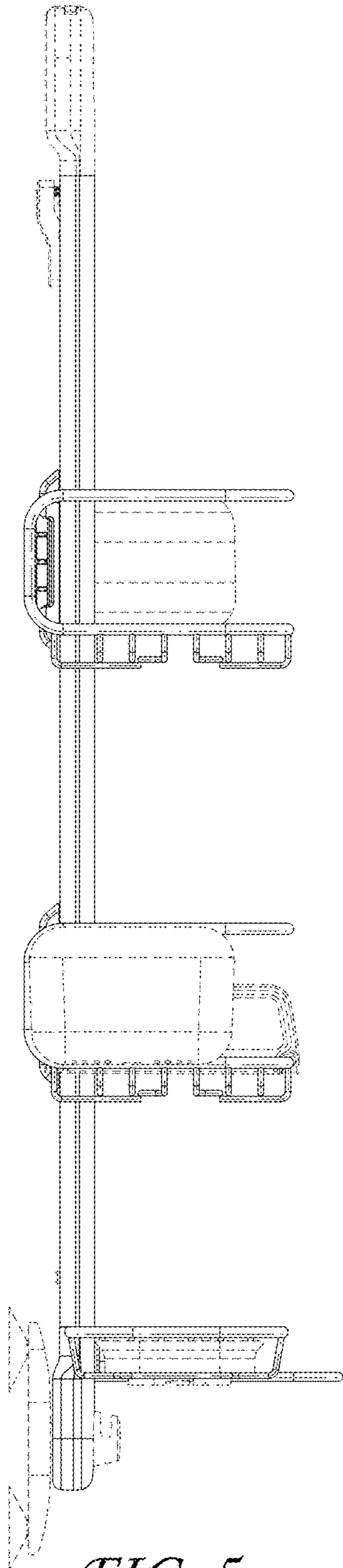


FIG. 5

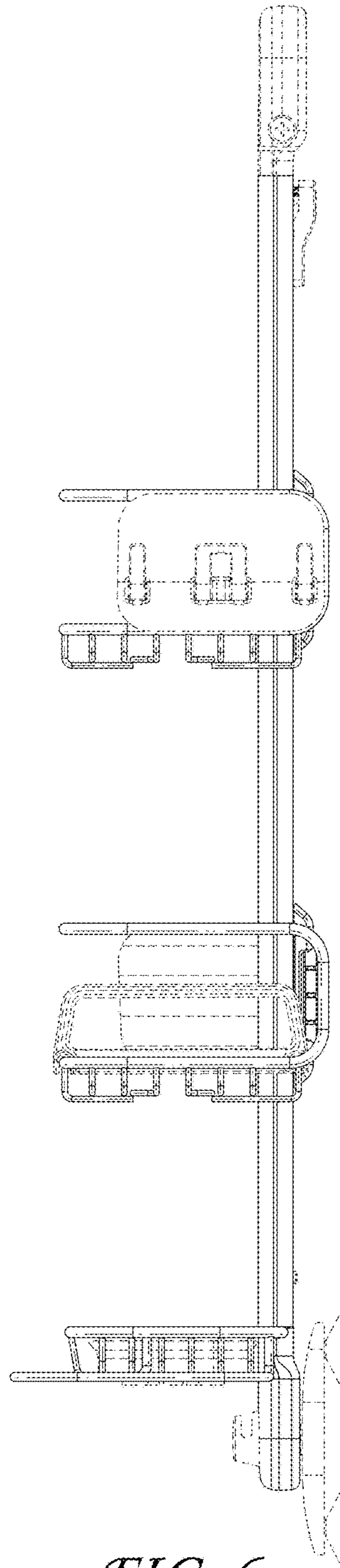


FIG. 6

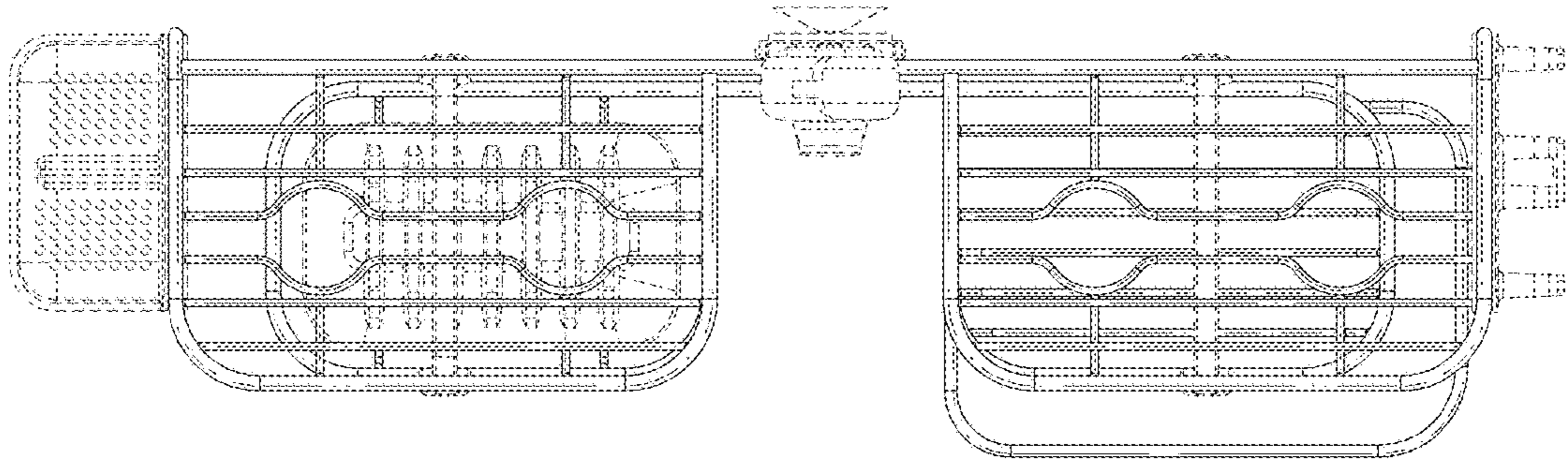


FIG. 7

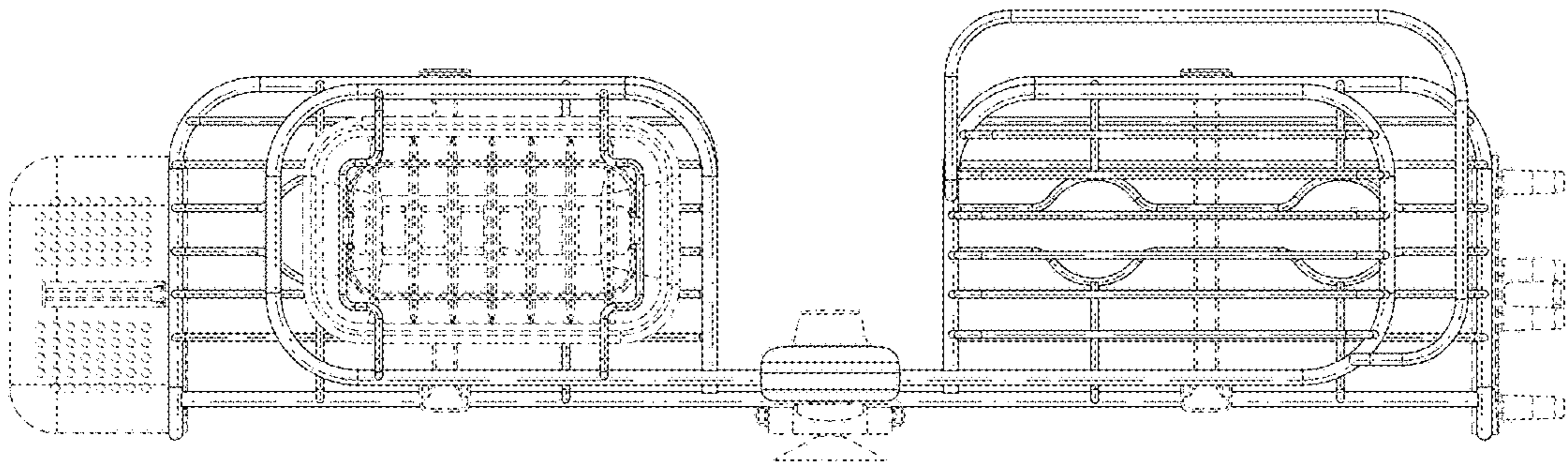


FIG. 8