



US00D824187S

(12) **United States Design Patent**  
**Haarburger**

(10) **Patent No.:** **US D824,187 S**

(45) **Date of Patent:** **\*\* Jul. 31, 2018**

- (54) **REFUSE BAG DISPENSER**
- (71) Applicant: **Nite Ize, Inc.**, Boulder, CO (US)
- (72) Inventor: **Daniel Haarburger**, Boulder, CO (US)
- (73) Assignee: **Nite Ize, Inc.**, Boulder, CO (US)
- (\*\*) Term: **15 Years**
- (21) Appl. No.: **29/589,612**
- (22) Filed: **Jan. 3, 2017**
- (51) **LOC (11) Cl.** ..... **20-02**
- (52) **U.S. Cl.**  
USPC ..... **D6/518**
- (58) **Field of Classification Search**  
USPC ..... D6/515, 518; D3/201, 215; D9/730, 734  
CPC ... B65H 1/00; B65D 85/67; B26F 3/02; B65F  
73/00; A47K 10/24  
See application file for complete search history.

7,850,039 B1 \* 12/2010 Tsengas ..... E01H 1/1206  
206/409  
D654,739 S \* 2/2012 Chin ..... D3/215  
D657,174 S \* 4/2012 Yatscoff ..... D3/215  
D799,853 S \* 10/2017 Cartledge ..... D6/518  
D802,959 S \* 11/2017 Wong ..... D6/515  
2003/0075117 A1 \* 4/2003 Lin ..... A01K 27/006  
119/867  
2007/0267531 A1 \* 11/2007 Petersen ..... B65D 83/0805  
242/588.6  
2008/0110919 A1 \* 5/2008 Lincoln ..... A47F 9/042  
221/45

\* cited by examiner

*Primary Examiner* — Lauren R Calve

(74) *Attorney, Agent, or Firm* — Haynes and Boone, LLP

(57) **CLAIM**

The ornamental design for a refuse bag dispenser, as shown and described.

**DESCRIPTION**

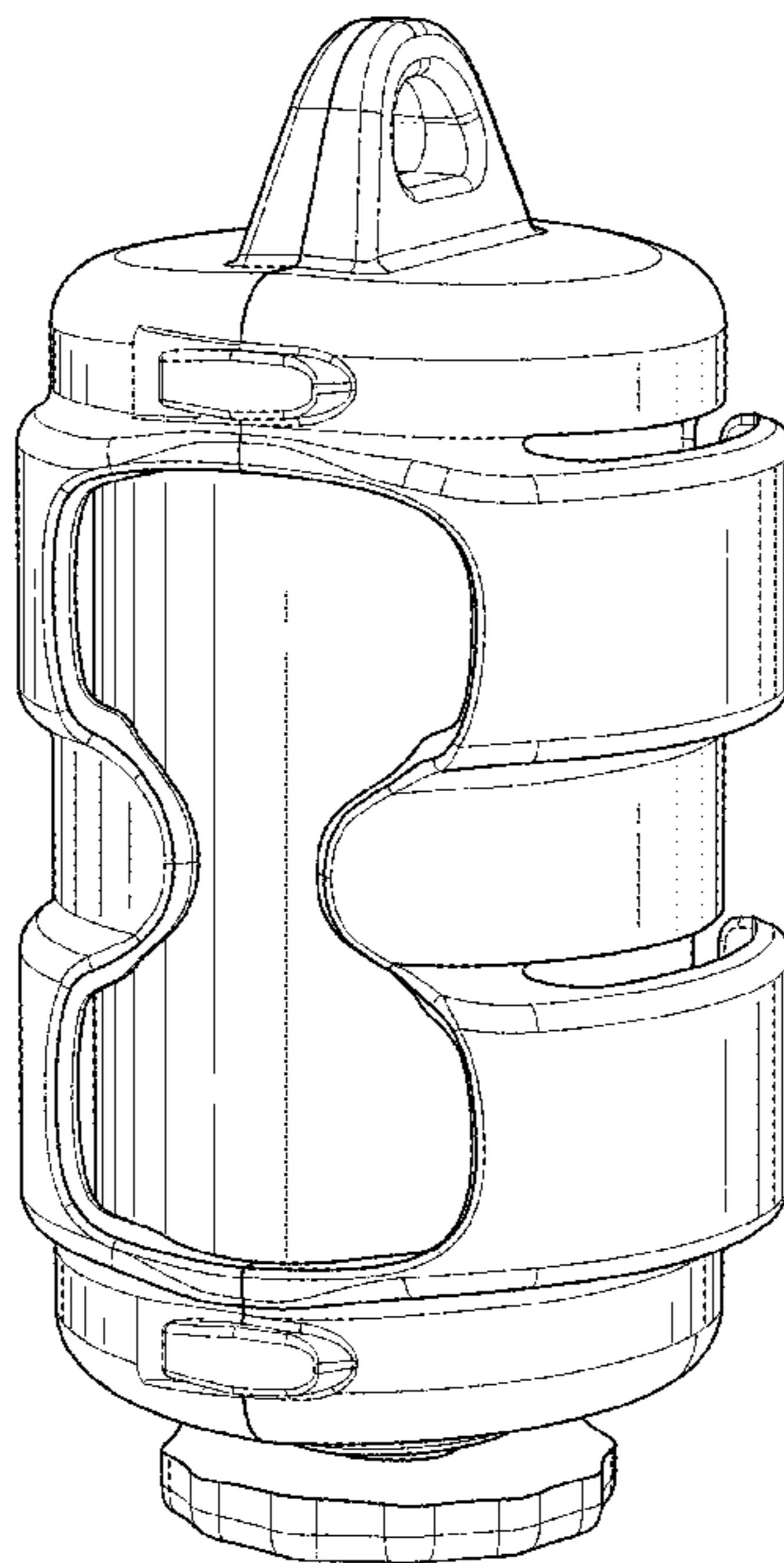
FIG. 1 is a front perspective view of a refuse bag dispenser; FIG. 2 is a rear perspective view of the refuse bag dispenser of FIG. 1; FIG. 3 is a front view of the refuse bag dispenser of FIG. 1; FIG. 4 is a rear view of the refuse bag dispenser of FIG. 1; FIG. 5 is a left side view of the refuse bag dispenser of FIG. 1; FIG. 6 is a right side view of the refuse bag dispenser of FIG. 1; FIG. 7 is a top view of the refuse bag dispenser of FIG. 1; and, FIG. 8 is a bottom view of the refuse bag dispenser of FIG. 1.

(56) **References Cited**

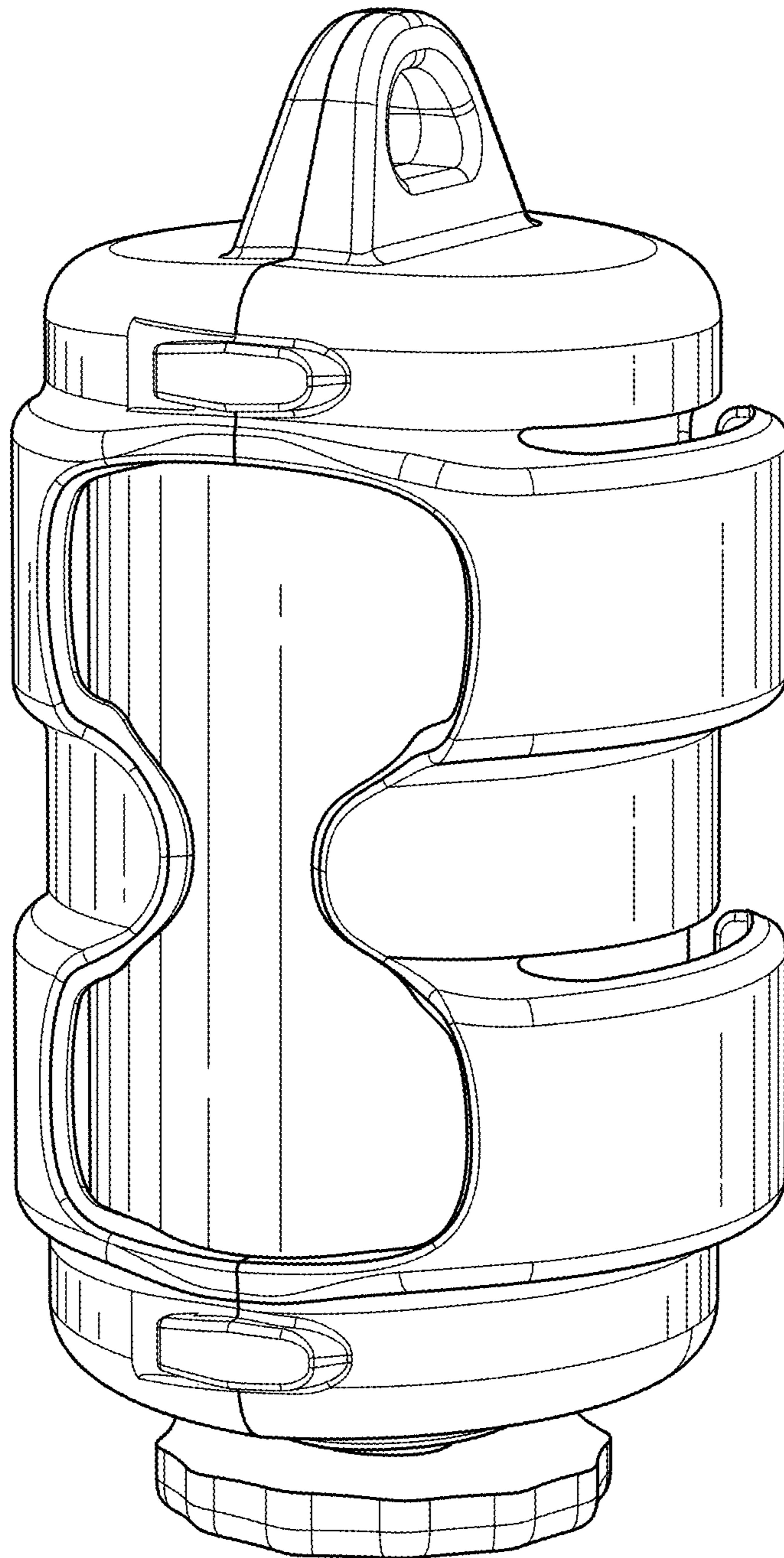
U.S. PATENT DOCUMENTS

- D335,721 S \* 5/1993 Kimball ..... D28/65
- D419,271 S \* 1/2000 Camino ..... D30/152
- 6,076,717 A \* 6/2000 Edwards ..... A01K 27/004  
225/106
- 6,098,836 A \* 8/2000 Gottselig ..... A47K 10/32  
206/204
- 6,446,808 B1 \* 9/2002 Paul ..... A47K 10/3827  
206/205
- D498,955 S \* 11/2004 Edwards ..... D6/515
- D502,622 S \* 3/2005 Berger ..... D6/515
- D530,555 S \* 10/2006 Karraker ..... D6/545
- 7,255,254 B2 \* 8/2007 Tan ..... B26F 3/02  
206/407
- D609,458 S \* 2/2010 Kruse ..... D3/215

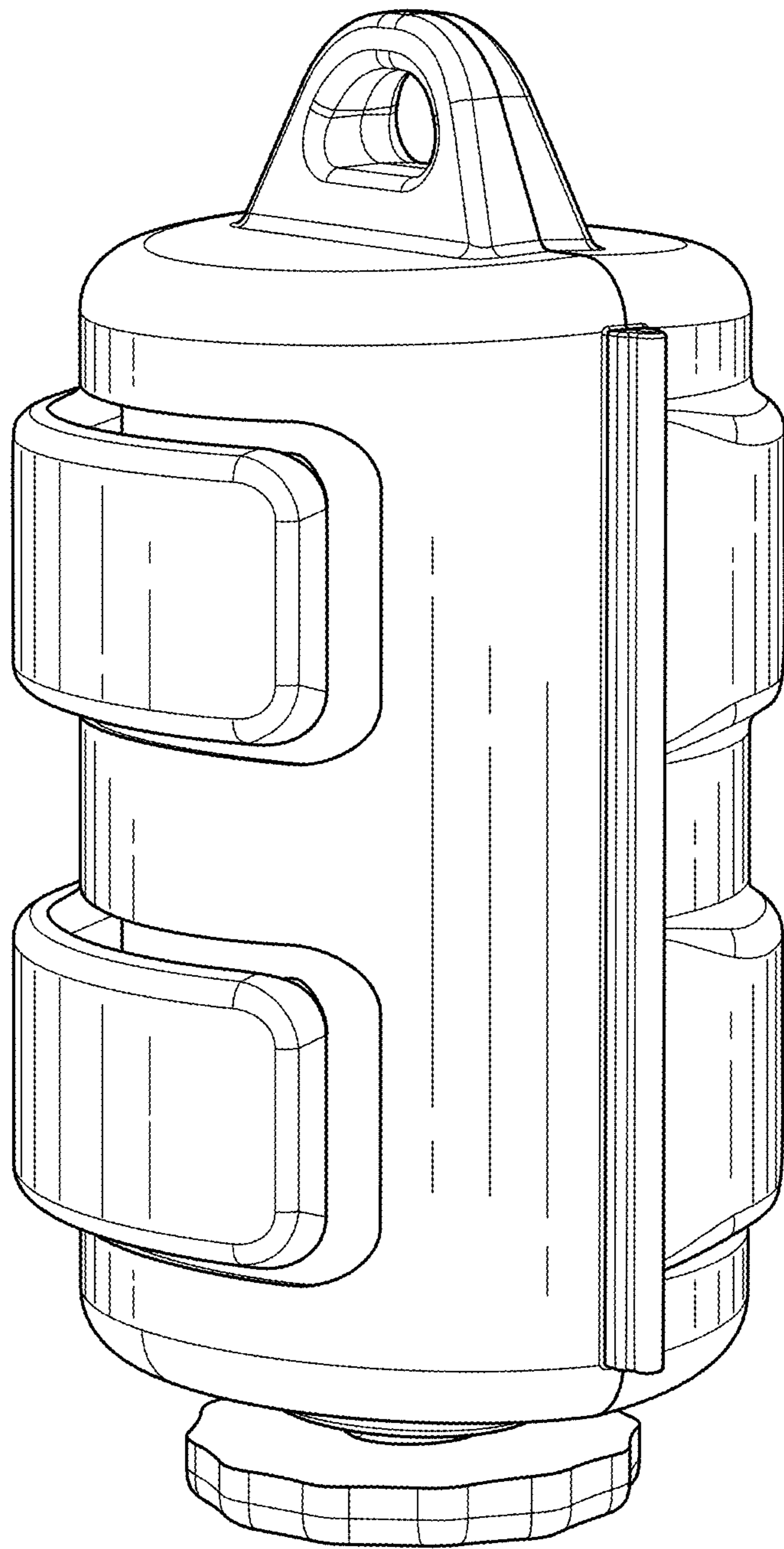
**1 Claim, 7 Drawing Sheets**



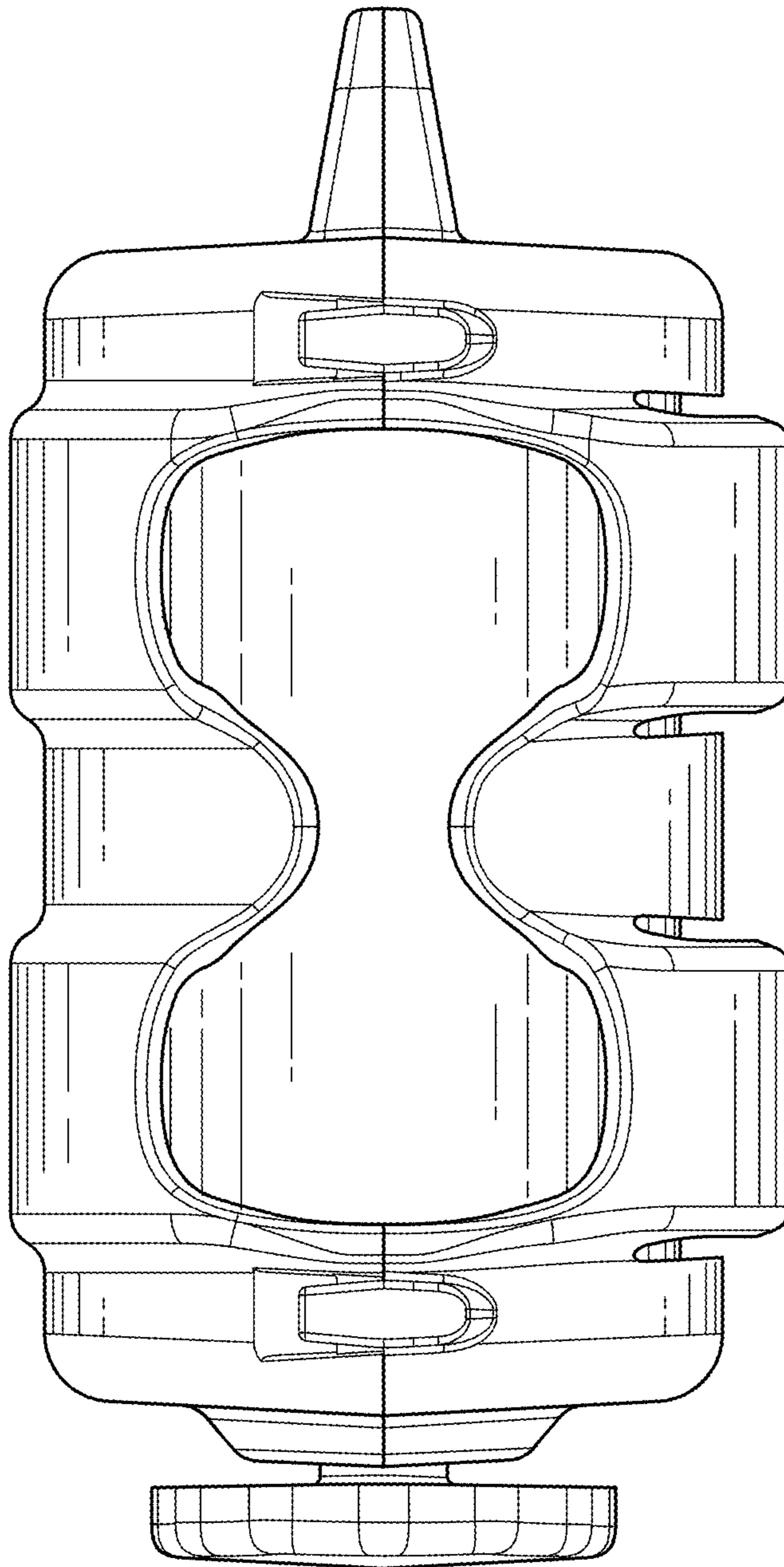
**FIG. 1**



**FIG. 2**

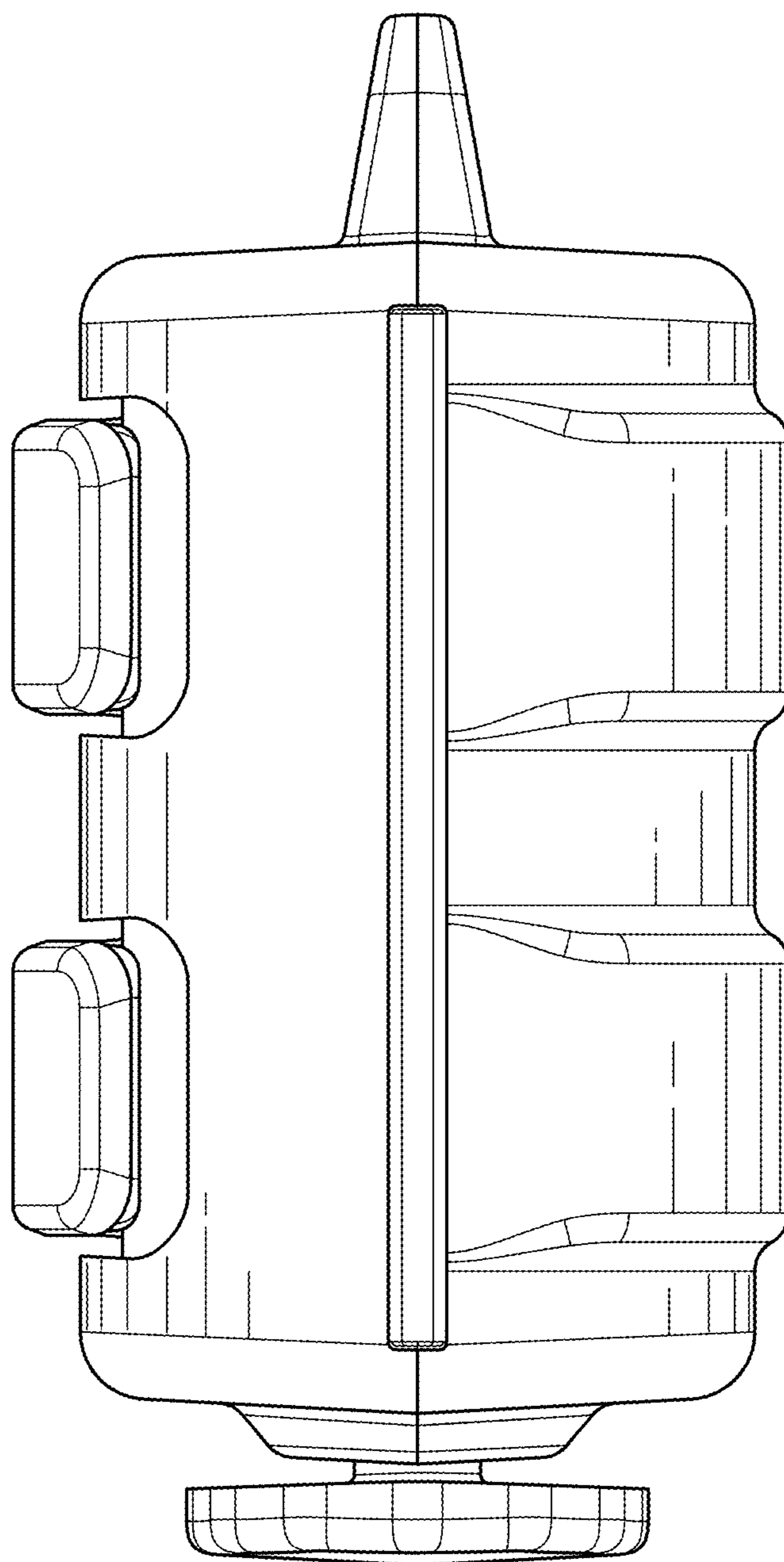


**FIG. 3**

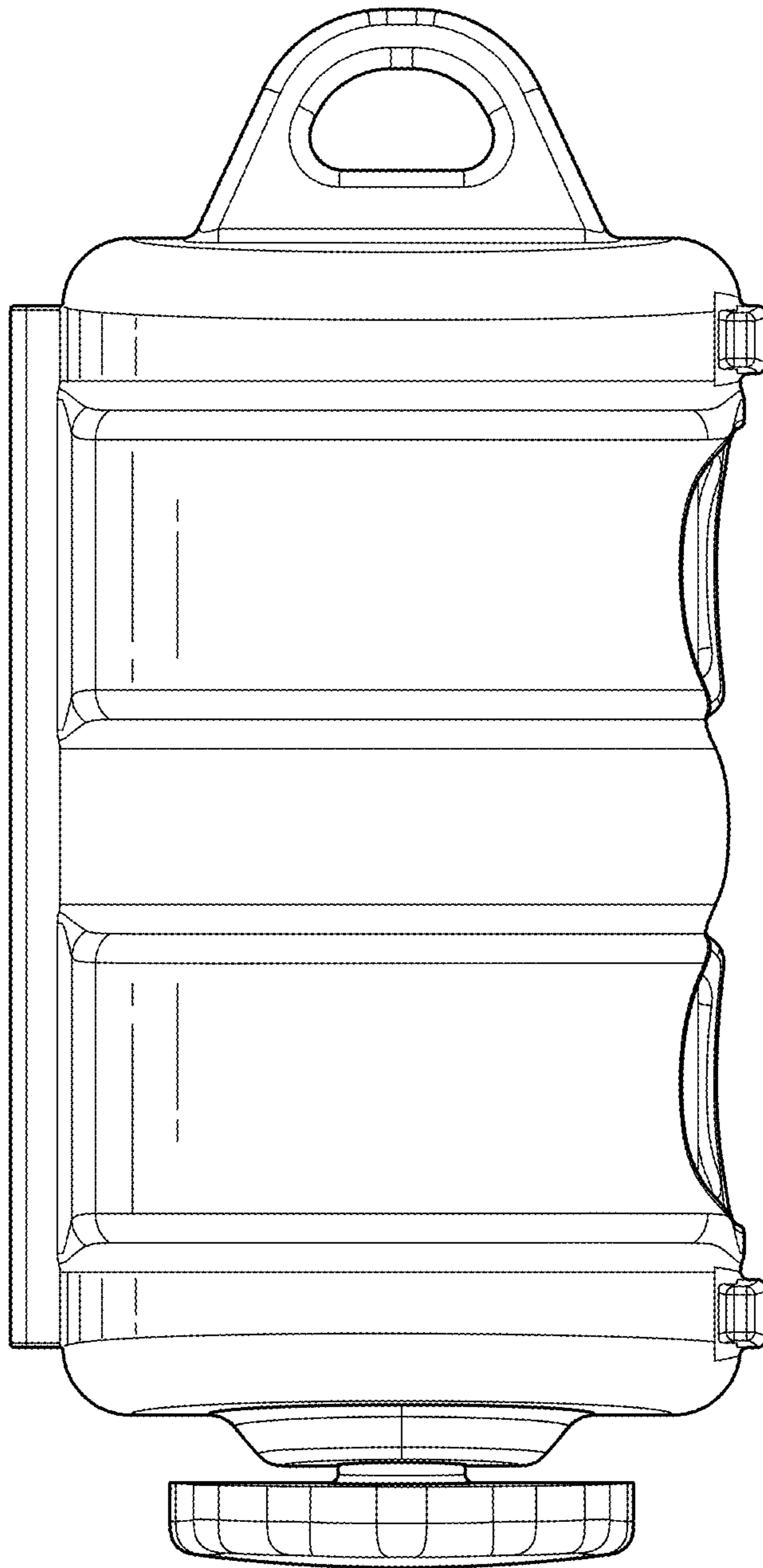




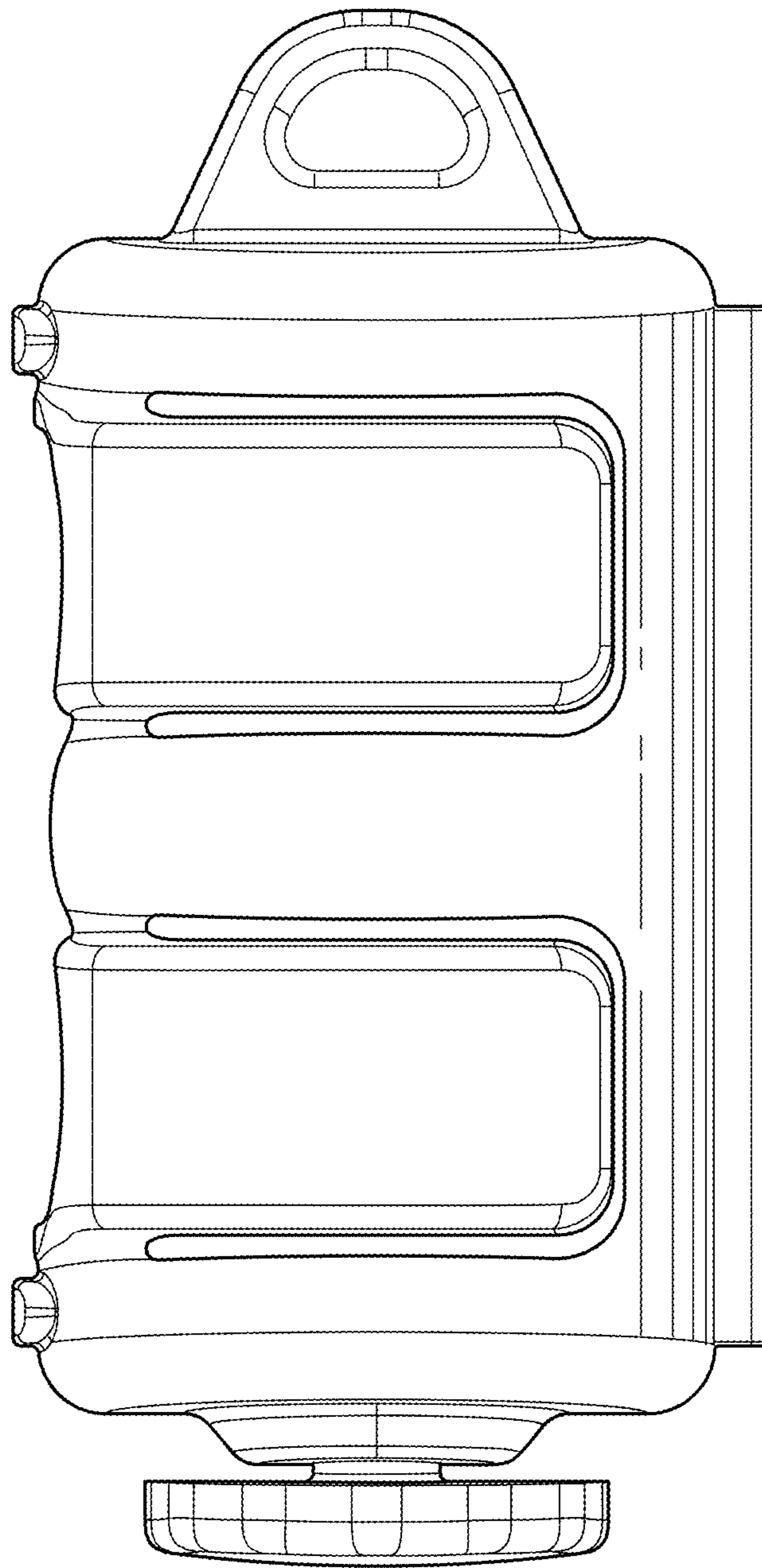
**FIG. 4**



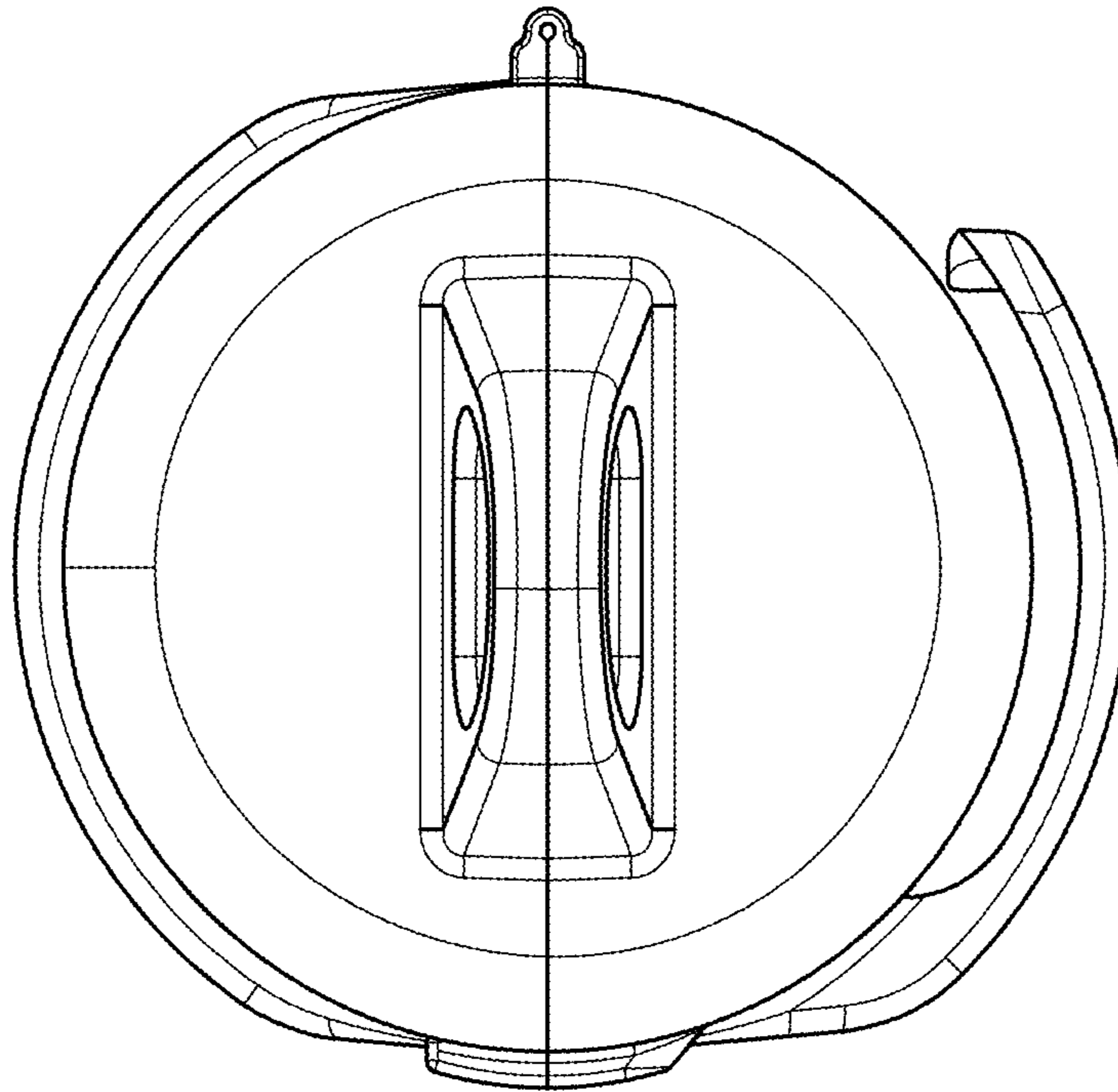
**FIG. 5**



**FIG. 6**



**FIG. 7**



**FIG. 8**

