



US00D824186S

(12) **United States Design Patent**
Barber et al.

(10) **Patent No.:** **US D824,186 S**
(45) **Date of Patent:** **** Jul. 31, 2018**

- (54) **CHAIR**
- (71) Applicant: **DEDON, GmbH**, Lüneburg (DE)
- (72) Inventors: **Edward Barber**, London (GB); **Jay Osgerby**, London (GB)
- (73) Assignee: **DEDON, GmbH**, Lüneburg (DE)
- (**) Term: **15 Years**
- (21) Appl. No.: **29/599,105**
- (22) Filed: **Mar. 31, 2017**
- (51) **LOC (11) Cl.** **06-01**
- (52) **U.S. Cl.**
USPC **D6/379**
- (58) **Field of Classification Search**
USPC D6/334-336, 370, 371, 373, 374, 376,
D6/379, 380, 381, 716.1, 716.2, 716.3,
D6/716.4
CPC .. A47C 11/00; A47C 4/02; A47C 4/03; A47C
4/022; A47C 4/028; A47C 5/04; A47C
5/10; A47C 5/12; A47C 7/16
See application file for complete search history.

- D244,160 S * 5/1977 Friedman D6/381
- D248,260 S * 6/1978 Wilson D6/381
- D252,238 S * 7/1979 Van Sant D6/379
- 4,588,227 A * 5/1986 Austin A47C 4/022
297/440.11
- D296,050 S * 6/1988 Allen D6/379
- D486,663 S * 2/2004 Weaver D6/379
- D566,411 S * 4/2008 Lee D6/370
- D597,334 S * 8/2009 Lee D6/379

* cited by examiner

Primary Examiner — Mimosa De

(74) *Attorney, Agent, or Firm* — MacCord Mason PLLC

(57) **CLAIM**

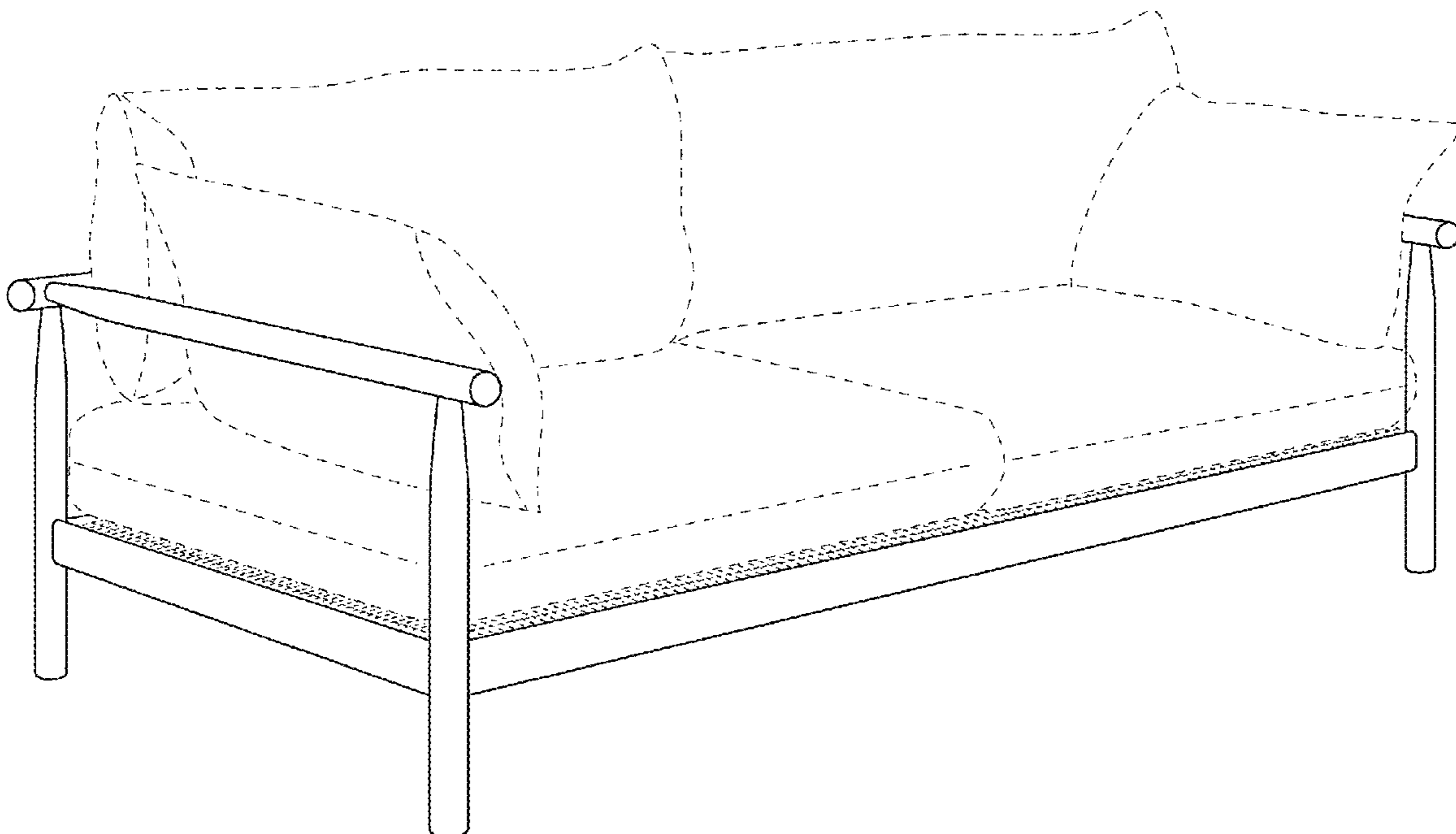
The ornamental design for a chair, as shown and described.

DESCRIPTION

FIG. 1 is a front perspective view of a chair showing my new design;
 FIG. 2 is a front view thereof;
 FIG. 3 is a side view, the opposite side being a mirror image thereof;
 FIG. 4 is a back view thereof; and,
 FIG. 5 is a top view thereof.
 The objects shown in dotted lines depict environment and form no part of the claimed design.

1 Claim, 5 Drawing Sheets

- (56) **References Cited**
U.S. PATENT DOCUMENTS
D211,171 S * 5/1968 Blier D6/379
3,873,154 A * 3/1975 Baker, Jr. A47C 5/12
297/447.4



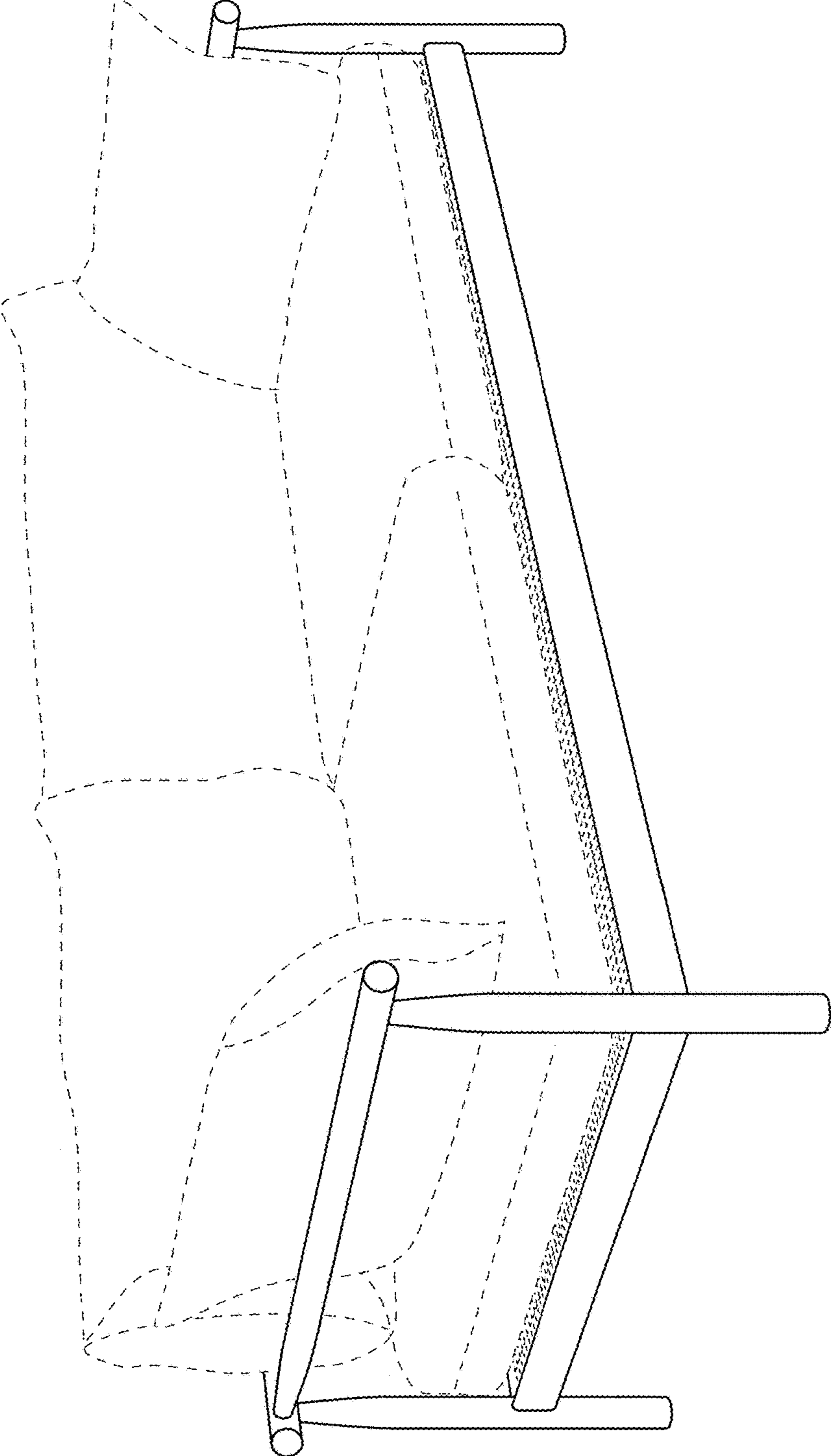


FIG. 1

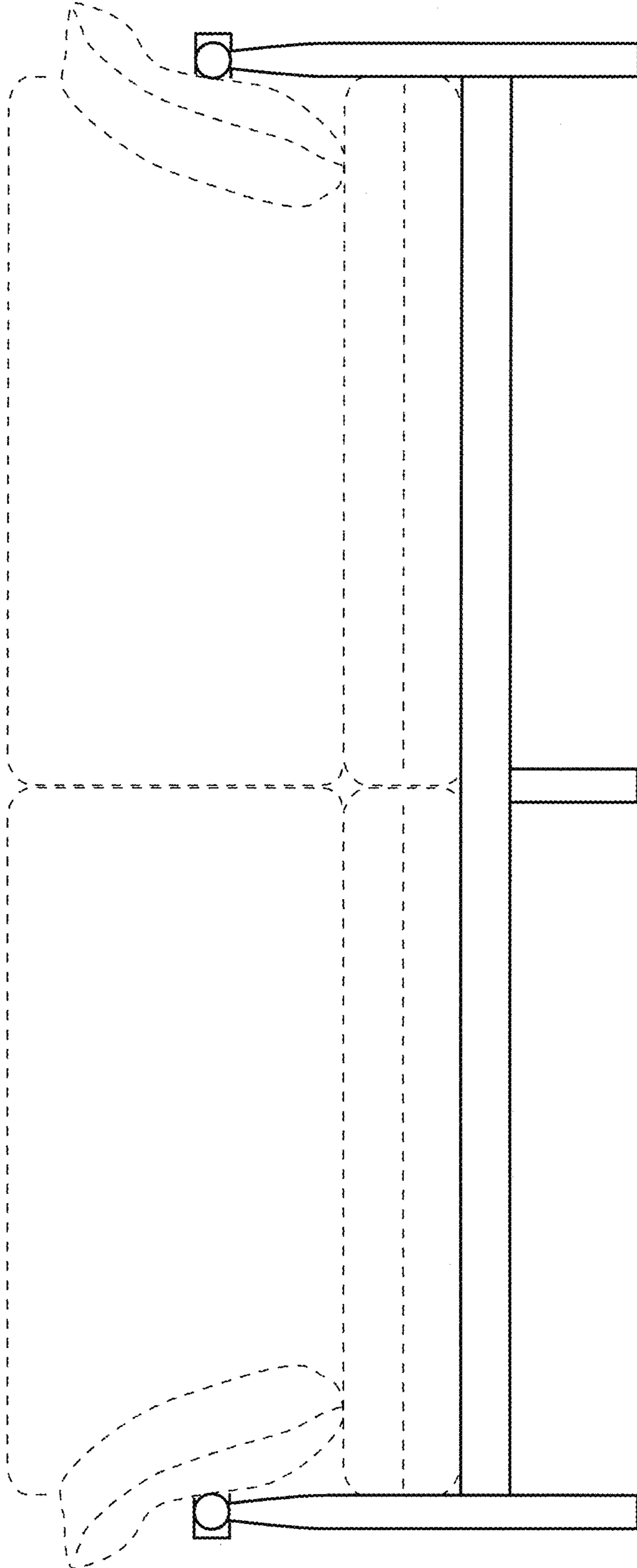


FIG. 2

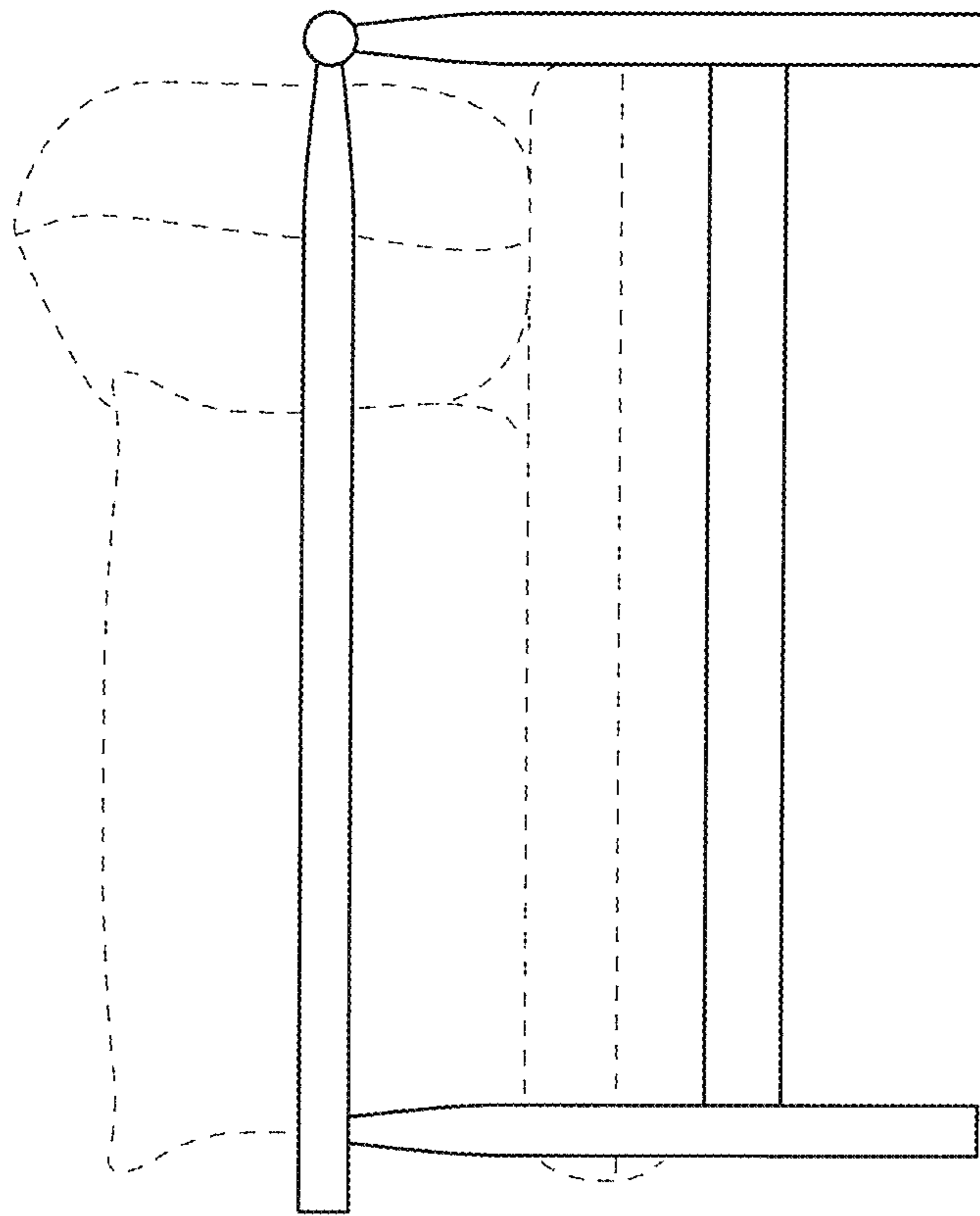


FIG. 3

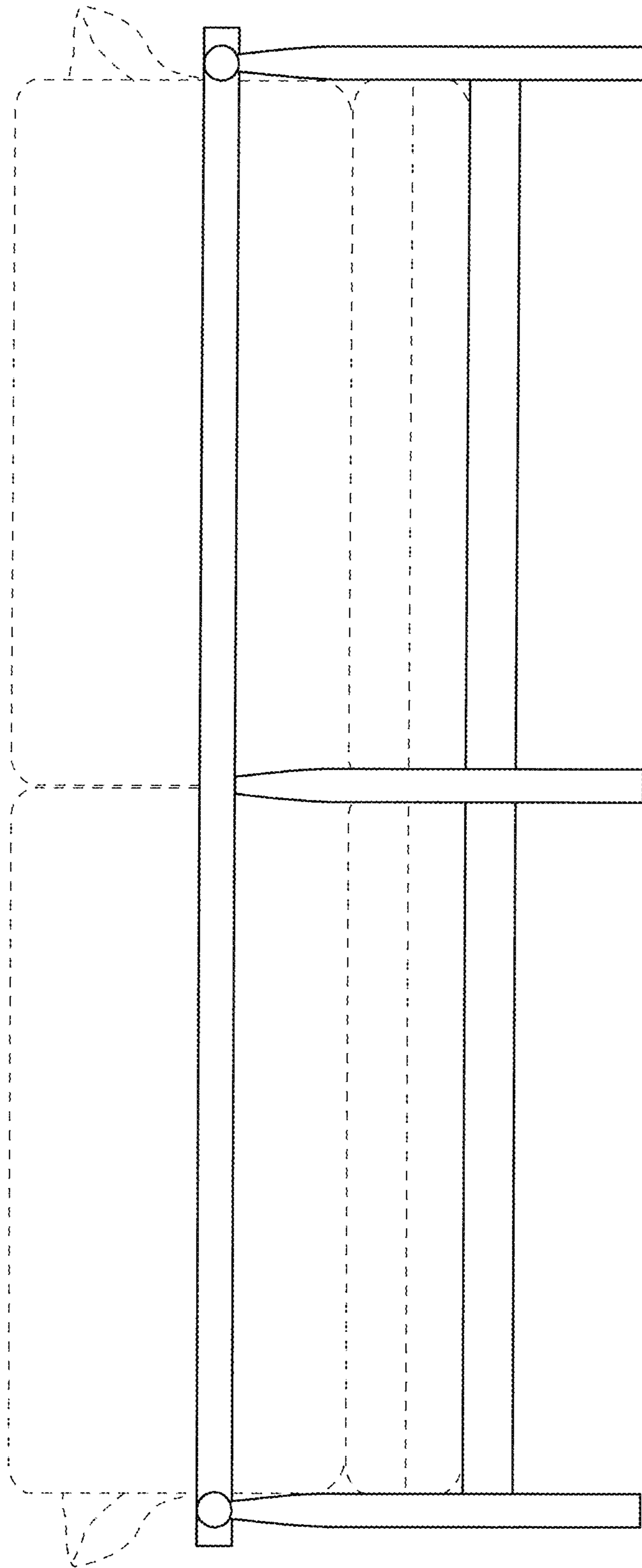


FIG. 4

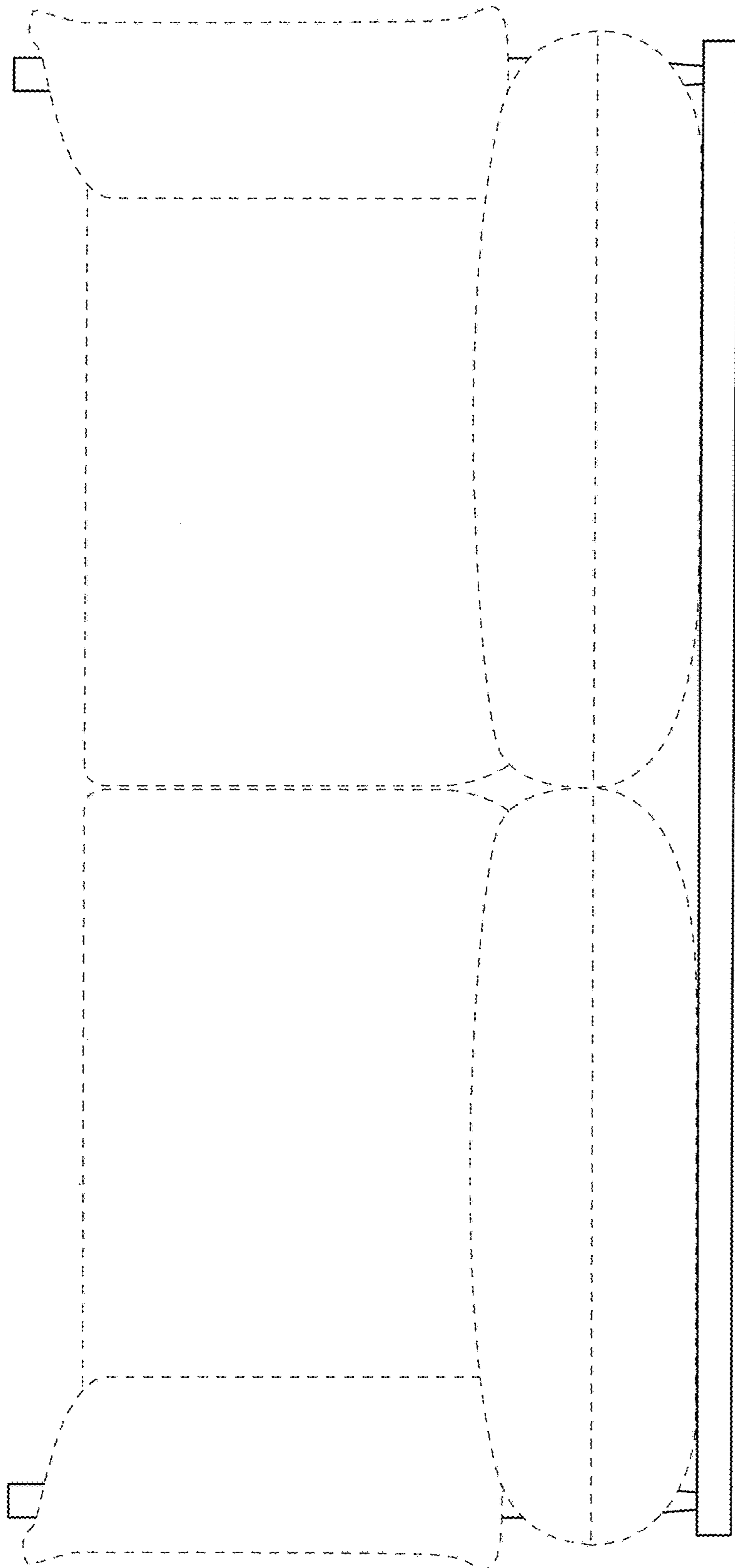


FIG. 5