



US00D824183S

(12) **United States Design Patent** (10) **Patent No.:** **US D824,183 S**
Bryant (45) **Date of Patent:** **** Jul. 31, 2018**

(54) **ENTERTAINMENT CHAIR**

(71) Applicant: **Jerry W. Bryant**, Fort Lauderdale, FL (US)

(72) Inventor: **Jerry W. Bryant**, Fort Lauderdale, FL (US)

(**) Term: **15 Years**

(21) Appl. No.: **29/634,420**

(22) Filed: **Jan. 22, 2018**

D197,497 S *	2/1964	Heidemann	D25/16
D222,806 S *	1/1972	Wise	D6/337
D272,782 S *	2/1984	Shelton	D6/675
D490,118 S *	5/2004	Jackson, Sr.	D21/326
D493,843 S *	8/2004	Jackson, Sr.	D21/326
D500,098 S *	12/2004	Doi	D21/326
D733,440 S *	7/2015	McGarth	D6/335
D733,441 S *	7/2015	McGrath	D6/335
D763,585 S *	8/2016	Morozan	D6/335
D771,273 S *	11/2016	Geier	D25/16
D808,670 S *	1/2018	Bryant	D6/335
2009/0084387 A1 *	4/2009	Casteras Farre	A47C 13/00 128/845

* cited by examiner

Related U.S. Application Data

(62) Division of application No. 29/583,753, filed on Nov. 8, 2016, now Pat. No. Des. 808,670.

(51) **LOC (11) Cl.** **06-01**

(52) **U.S. Cl.**
USPC **D6/335**

(58) **Field of Classification Search**
USPC D6/334, 335, 336, 360, 361, 367, 368,
D6/371-375, 379-381, 716, 716.1-716.8;
D21/326, 327; D25/16
CPC A47C 1/00; A47C 1/12; A47C 3/00; A47C
3/12; A47C 15/008
See application file for complete search history.

(56) **References Cited**

U.S. PATENT DOCUMENTS

D195,024 S *	4/1963	McGee et al.	D25/16
D197,005 S *	12/1963	Beekenkamp et al.	D25/16
D197,215 S *	12/1963	Dreyfuss	52/79.1

Primary Examiner — Deanna L Pratt

(74) *Attorney, Agent, or Firm* — Nancy J. Flint, Attorney at Law, P.A.; Nancy J. Flint, Esq.

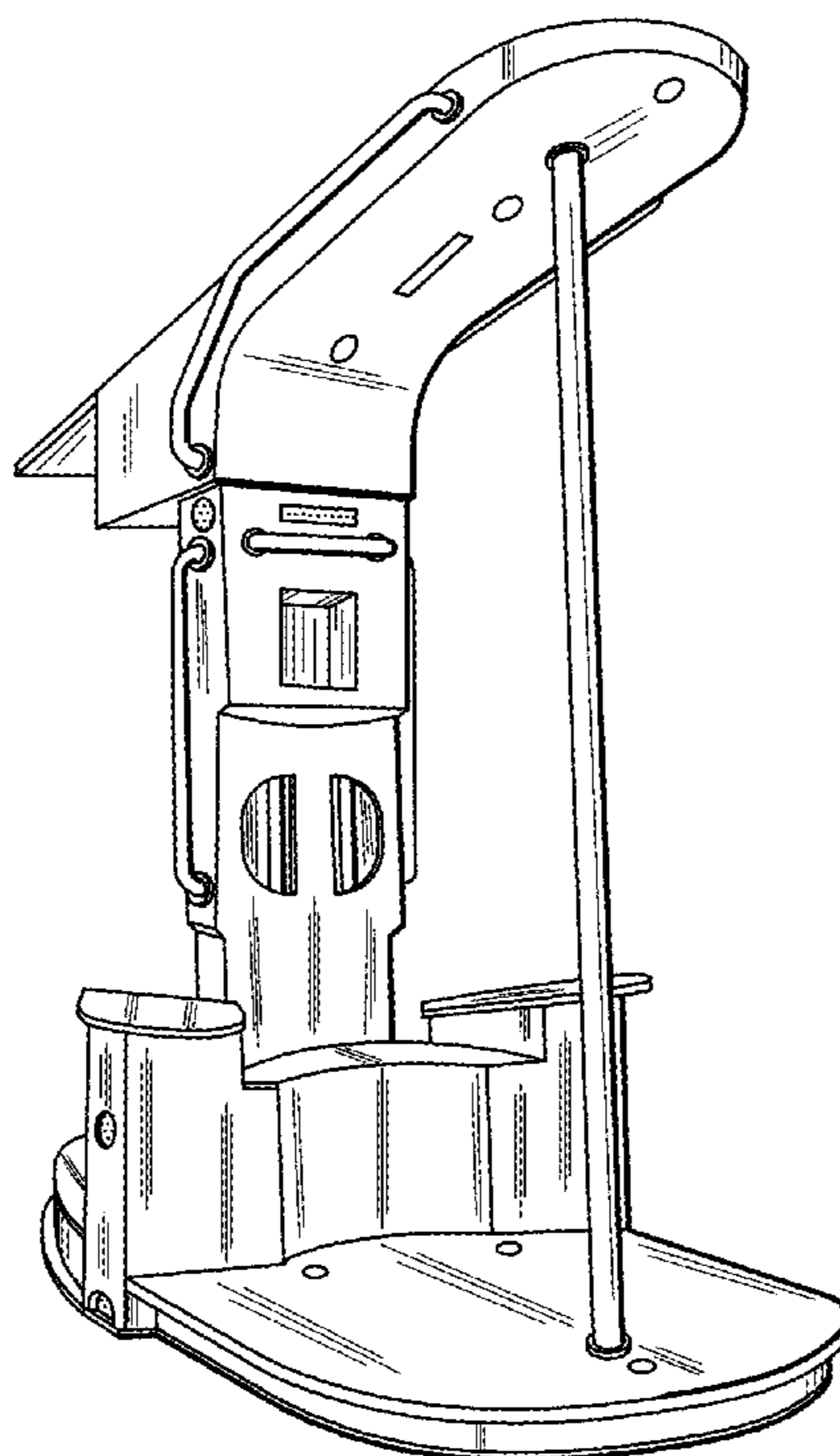
(57) **CLAIM**

The ornamental design for an entertainment chair, as shown and described.

DESCRIPTION

FIG. 1 is a front perspective view of an entertainment chair showing my new design;
FIG. 2 is a front view showing the entertainment chair;
FIG. 3 is a left side view showing the entertainment chair;
FIG. 4 is a rear view showing the entertainment chair; and,
FIG. 5 is a top view showing the entertainment chair.
Right side view not shown is a mirror image of the left side view. Bottom view not shown is not part of the design sought to be patented.

1 Claim, 5 Drawing Sheets



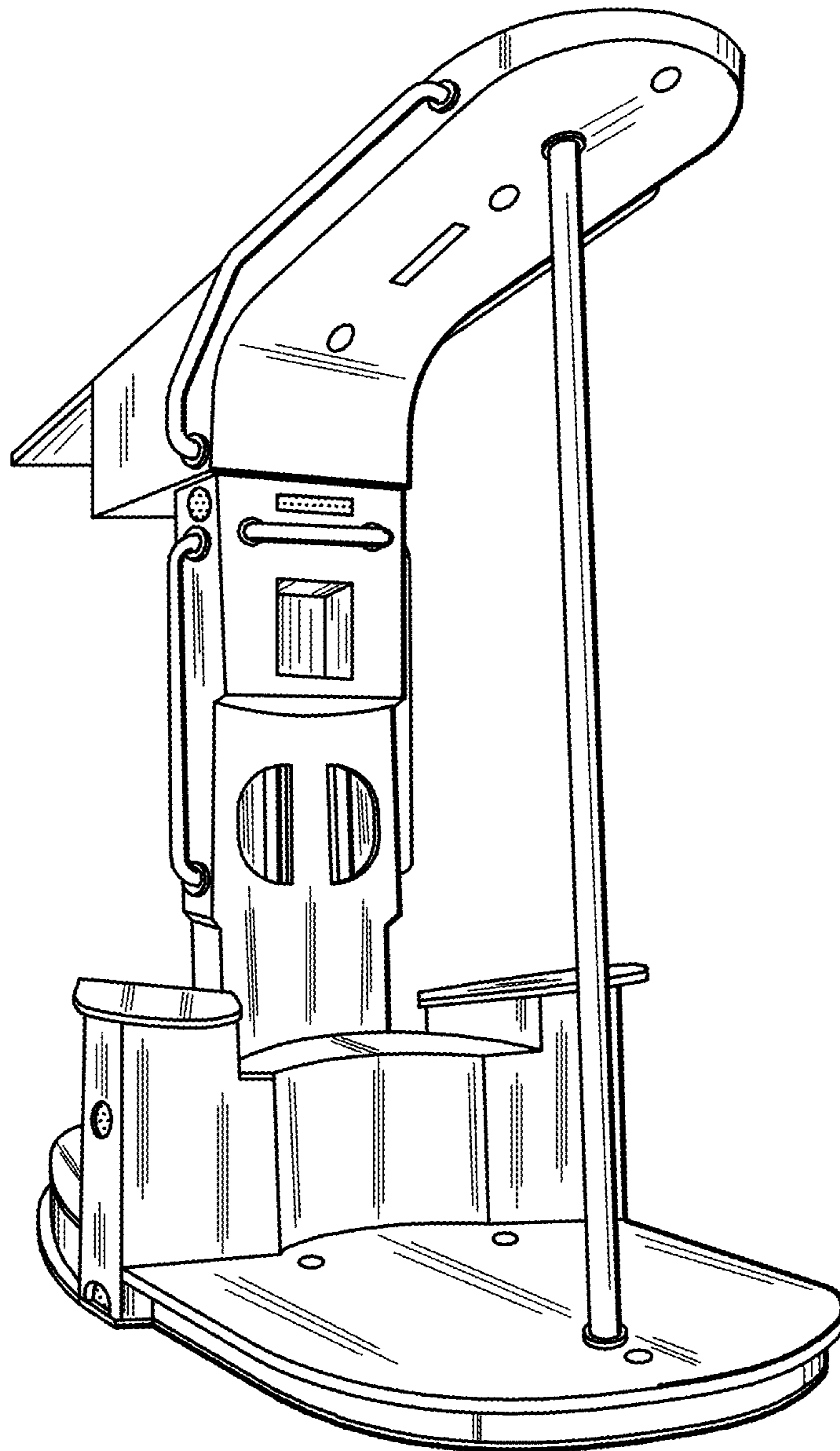


Fig. 1

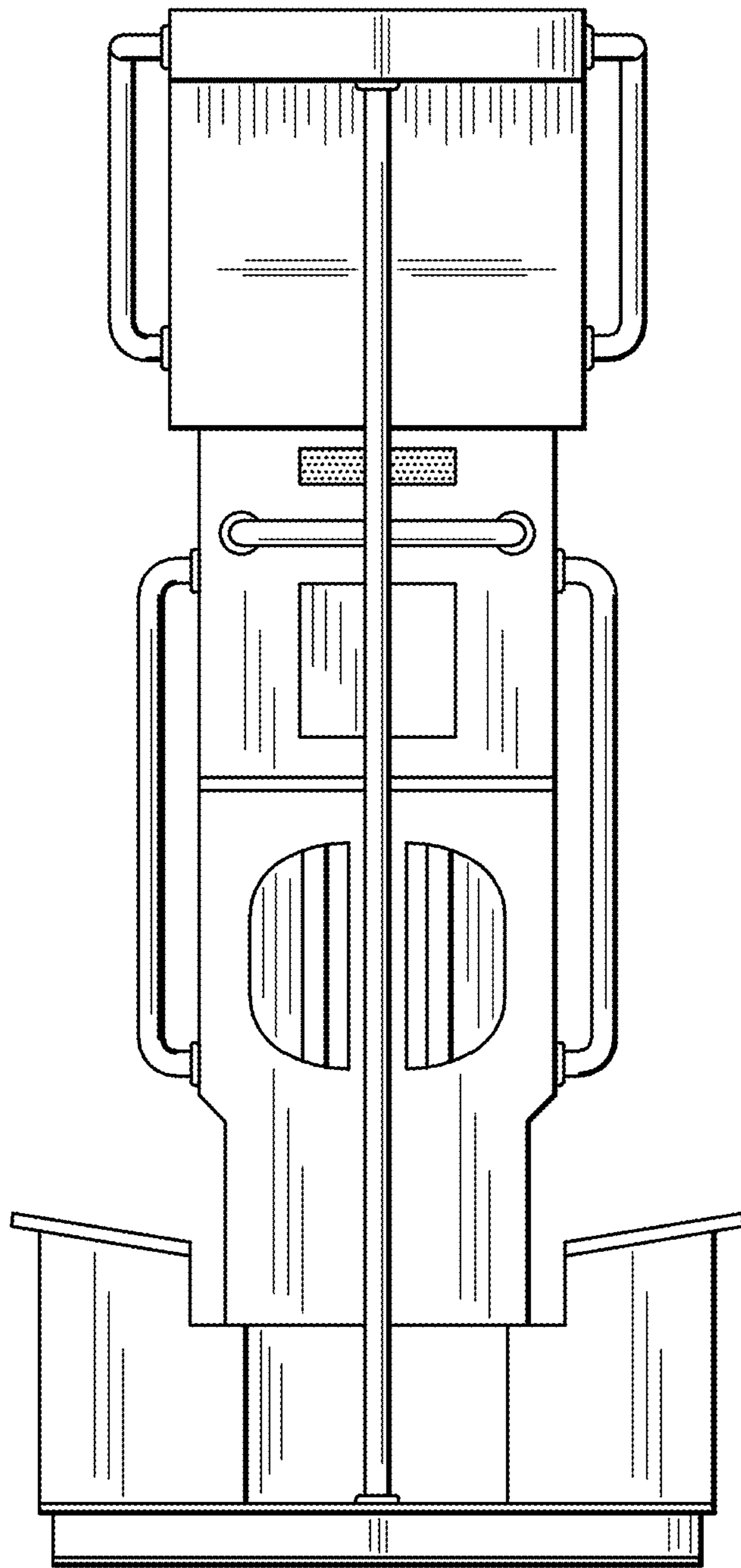


Fig. 2

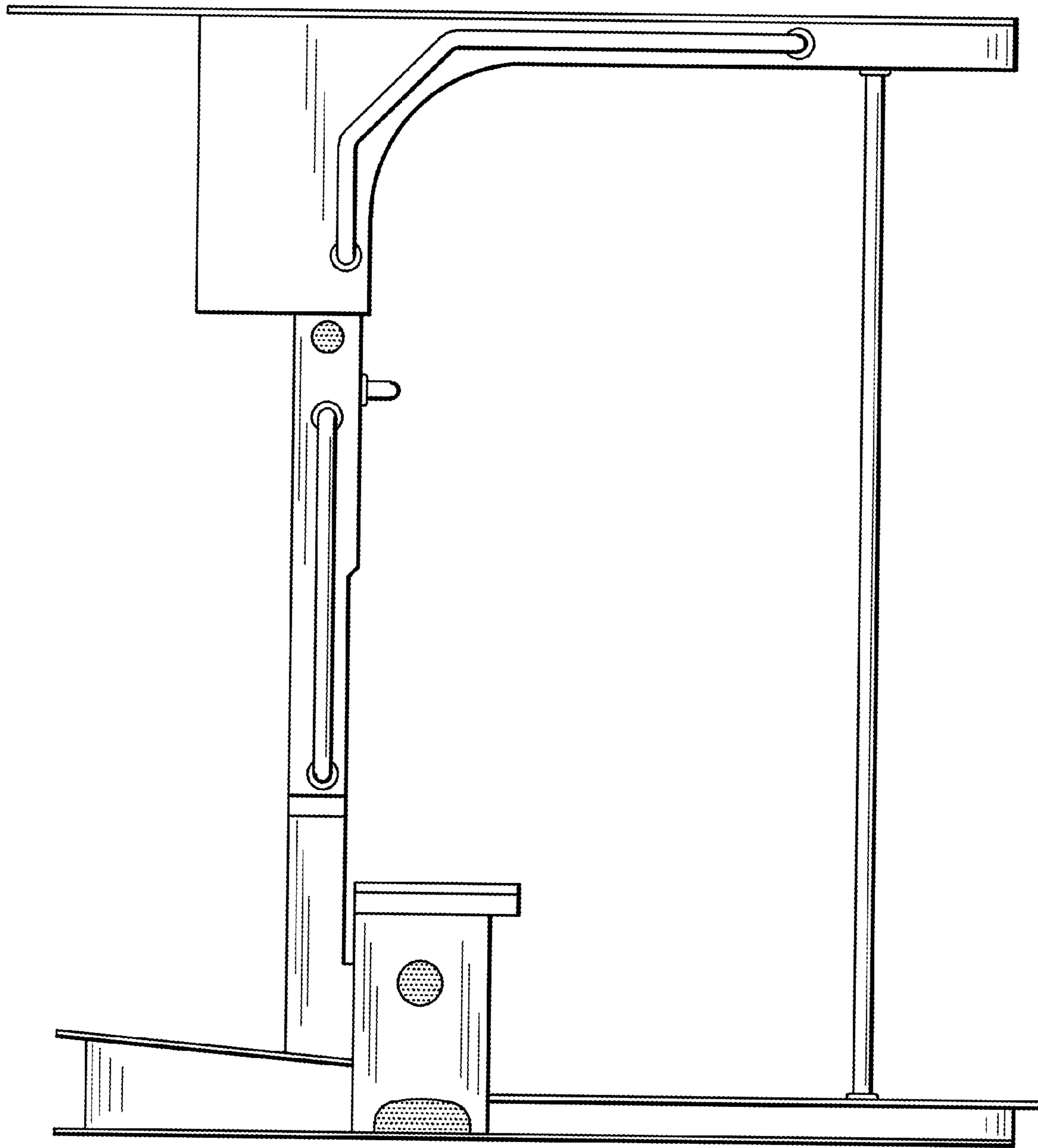


Fig. 3

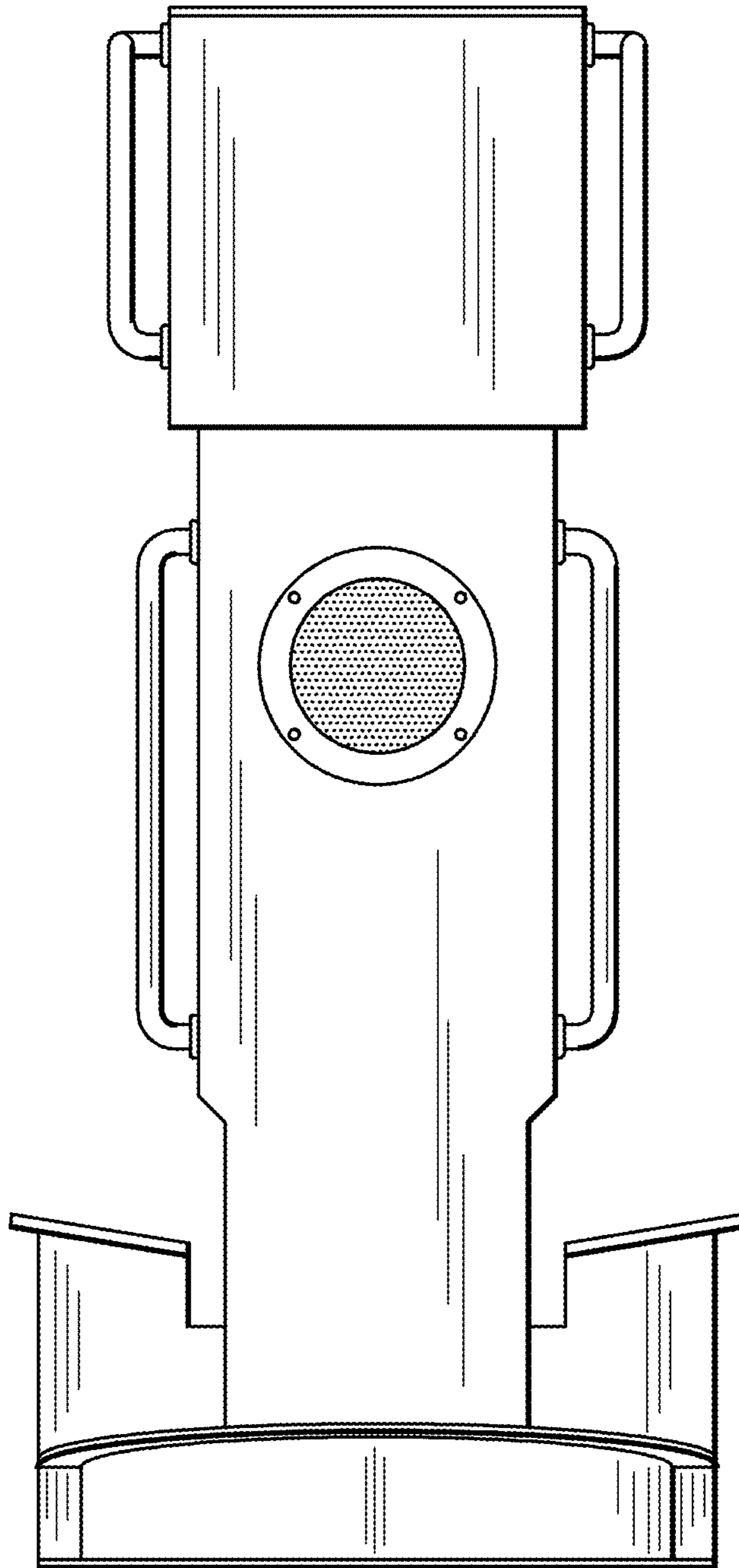


Fig. 4

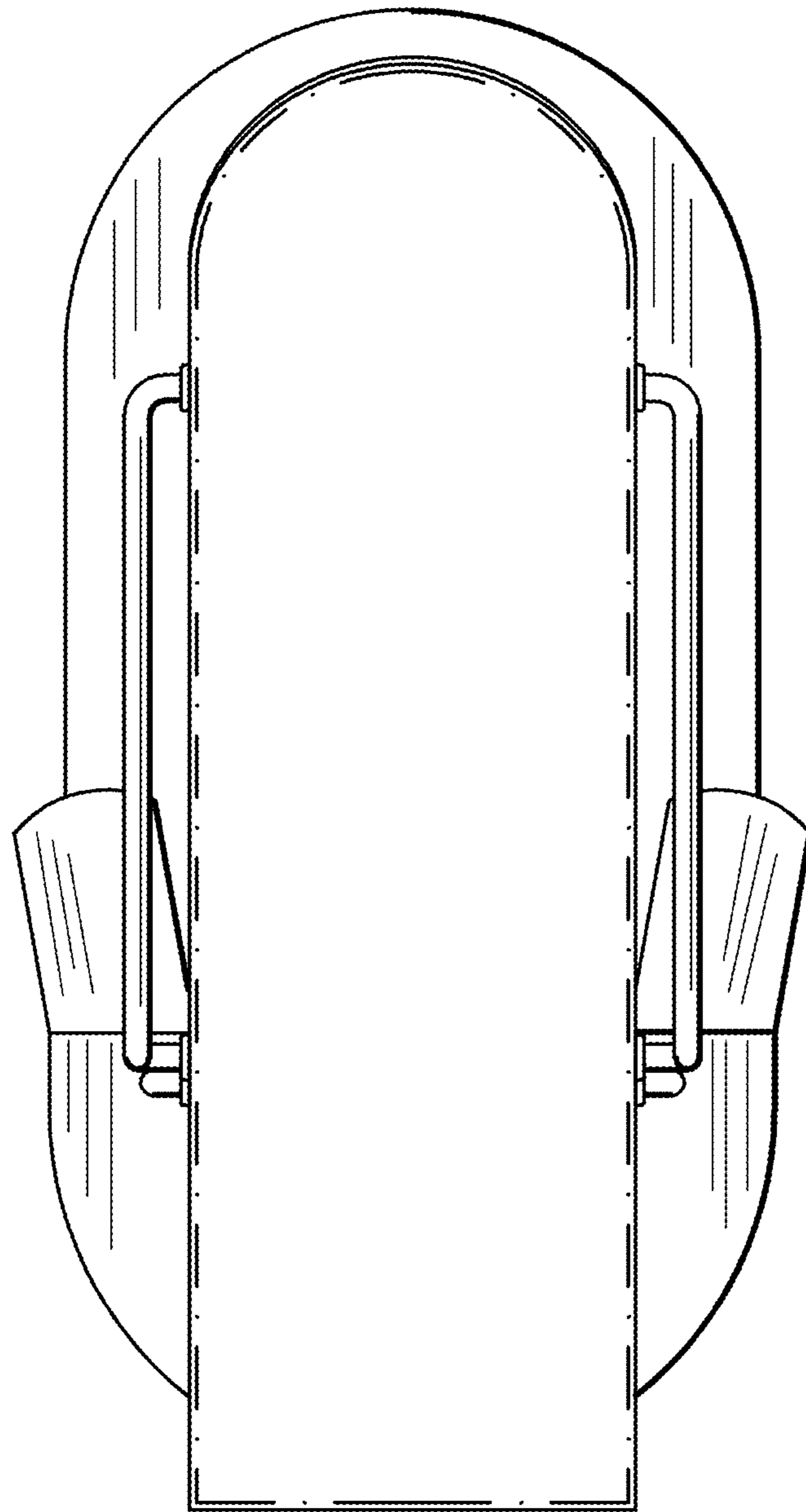


Fig. 5