



US00D824182S

(12) **United States Design Patent** (10) **Patent No.:** **US D824,182 S**
Williams et al. (45) **Date of Patent:** **** Jul. 31, 2018**

(54) **INFANT CAR SEAT**

(71) Applicant: **Wonderland Switzerland AG,**
Steinhausen (CH)

(72) Inventors: **Bruce Williams,** Narvon, PA (US);
Martijn Van Gelderen, Leiderdorp
(NL)

(73) Assignee: **WONDERLAND SWITZERLAND**
AG, Steinhausen (CH)

(**) Term: **15 Years**

(21) Appl. No.: **29/620,898**

(22) Filed: **Aug. 16, 2017**

(51) **LOC (11) Cl.** **06-01**

(52) **U.S. Cl.**
USPC **D6/333**

(58) **Field of Classification Search**
 USPC D6/334–336, 338–339, 491, 333, 716,
 D6/716.1–716.7; D12/129; D21/412,
 D21/419; 280/30–31; 5/94, 98.1, 99.1,
 5/101, 105, 655; 297/183.1–183.4,
 297/184.13, 184.15, 184.17, 250.1, 256.1,
 297/255, 256.15, 256.16, 174 R, 174 CS,
 297/170–173, 136, 148, 27, 61, 68;
 4/572.1
 CPC B60N 2/2821; B60N 2/02; B60N 2/10;
 B60N 2/16; B60N 2/22; B60N 2/26;
 B60N 2002/0212; B60N 2002/0216;
 B60N 2002/022; A47D 13/02; A47D
 13/083; A47D 1/00; A47D 1/002; A47D
 1/004; A47D 1/008; A47D 1/04

See application file for complete search history.

(56) **References Cited**

U.S. PATENT DOCUMENTS

D374,558 S	*	10/1996	Kain	D6/333
D607,652 S	*	1/2010	Karremans	D6/333
D621,171 S	*	8/2010	Xu	D6/333
D695,533 S	*	12/2013	Jane Santamaria	D6/333
D697,323 S	*	1/2014	Williams	D6/333
D764,817 S	*	8/2016	Pos	D6/333
D794,968 S	*	8/2017	Pos	D6/333

* cited by examiner

Primary Examiner — Abraham Bahta

(74) *Attorney, Agent, or Firm* — Bacon & Thomas, PLLC

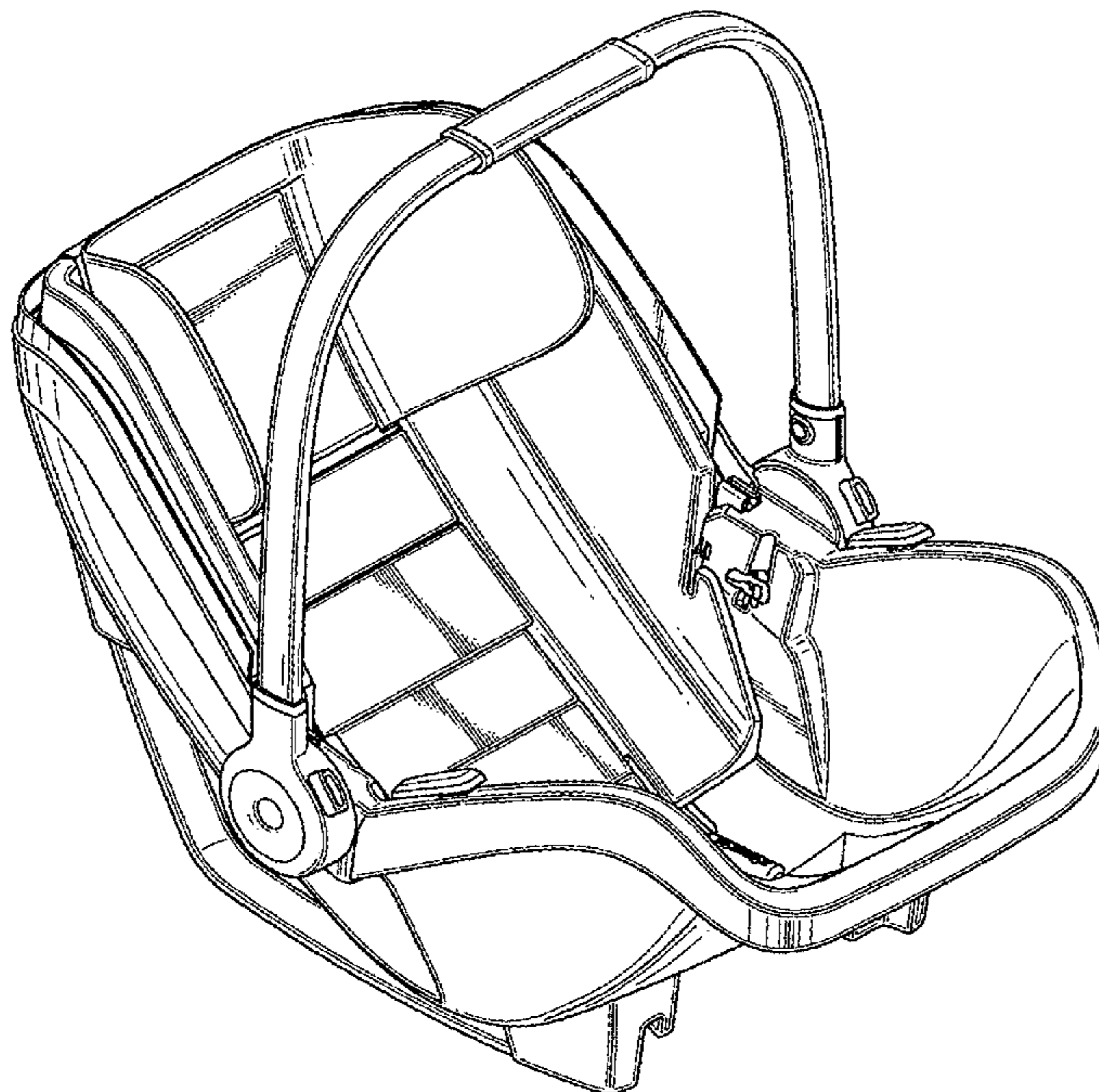
(57) **CLAIM**

The ornamental design for an infant car seat, as shown and described.

DESCRIPTION

FIG. 1 is a perspective view of an infant car seat in accordance with an embodiment of our new design;
 FIG. 2 is a front view of FIG. 1;
 FIG. 3 is a rear view of FIG. 1;
 FIG. 4 is a top view of FIG. 1;
 FIG. 5 is a bottom view of FIG. 1;
 FIG. 6 is a left side view of FIG. 1; and,
 FIG. 7 is a view showing the infant car seat shown in FIG. 1 in use.
 The right side view is a mirror image of the left side view. The broken lines shown in FIG. 7 show environmental structures of the infant car seat and form no part of the claimed design.

1 Claim, 7 Drawing Sheets



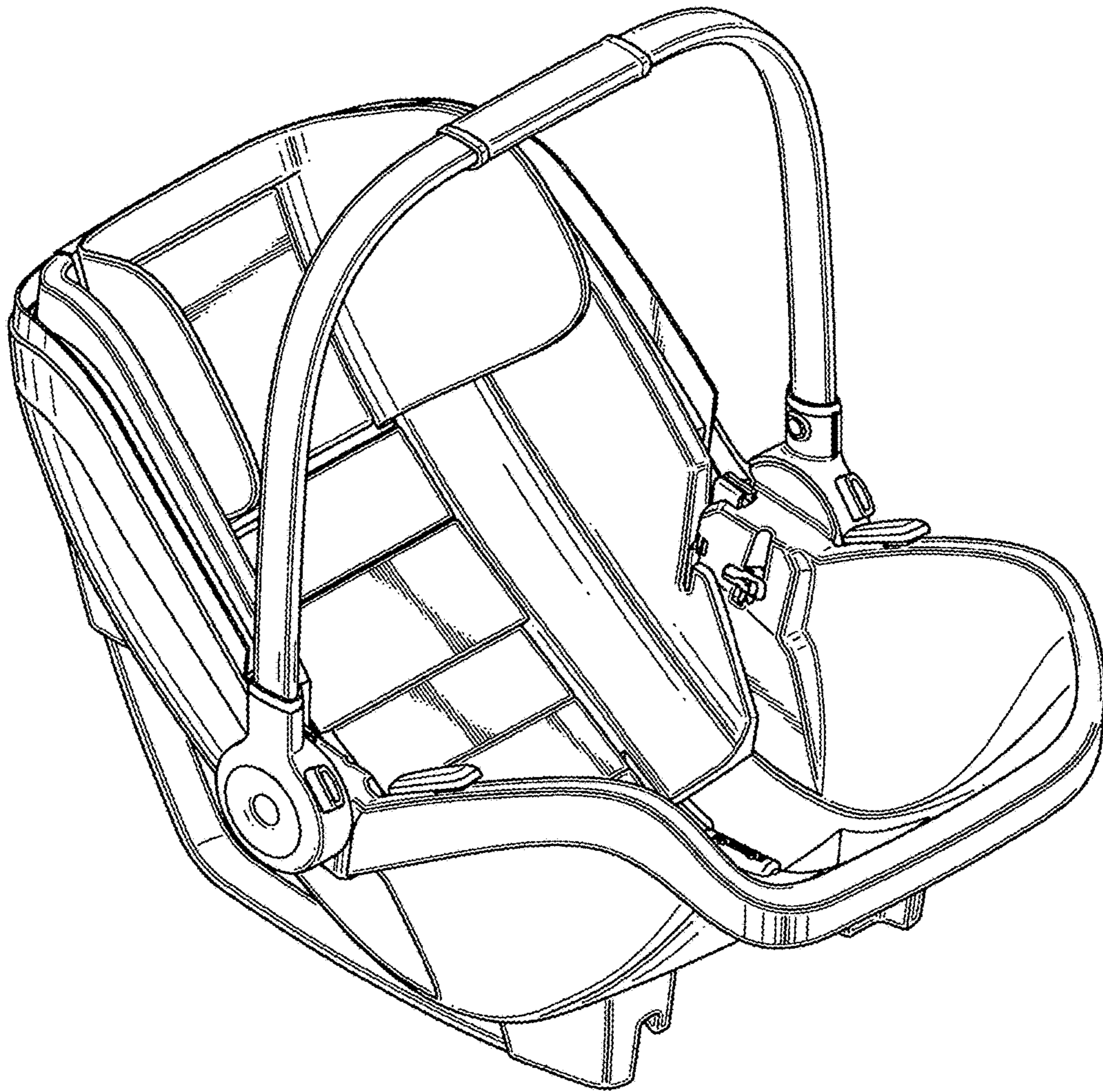


FIG. 1

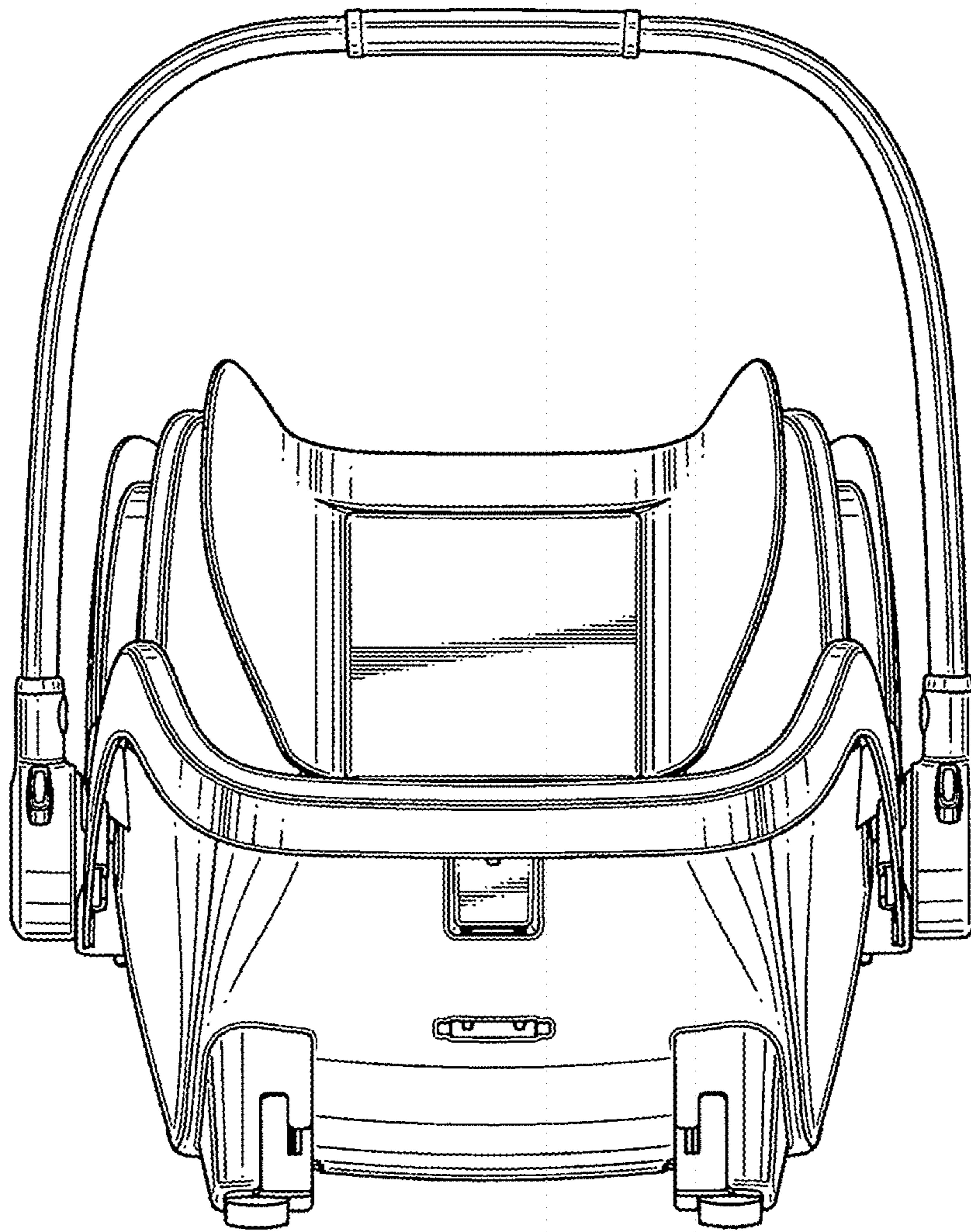


FIG. 2

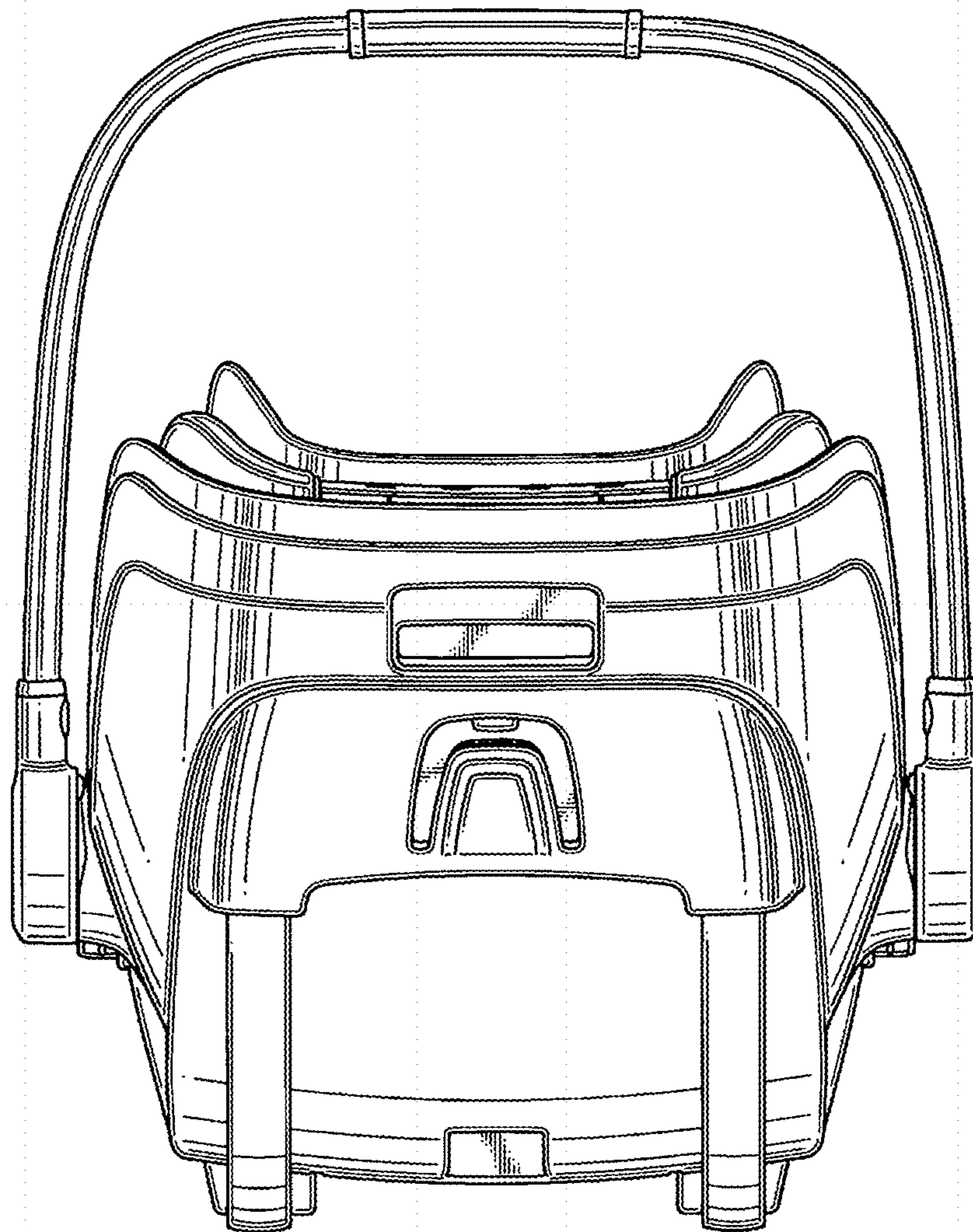


FIG. 3

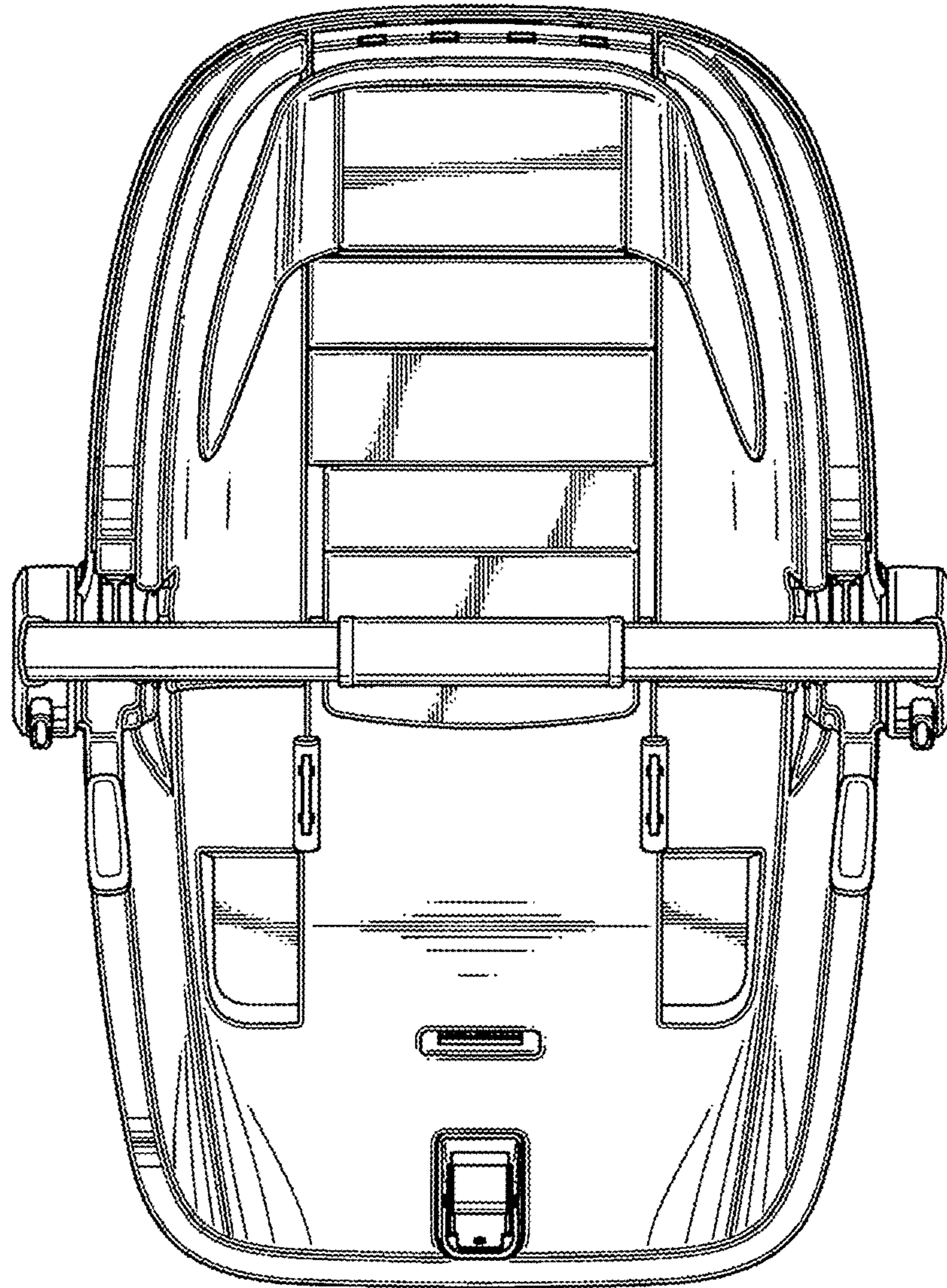


FIG. 4

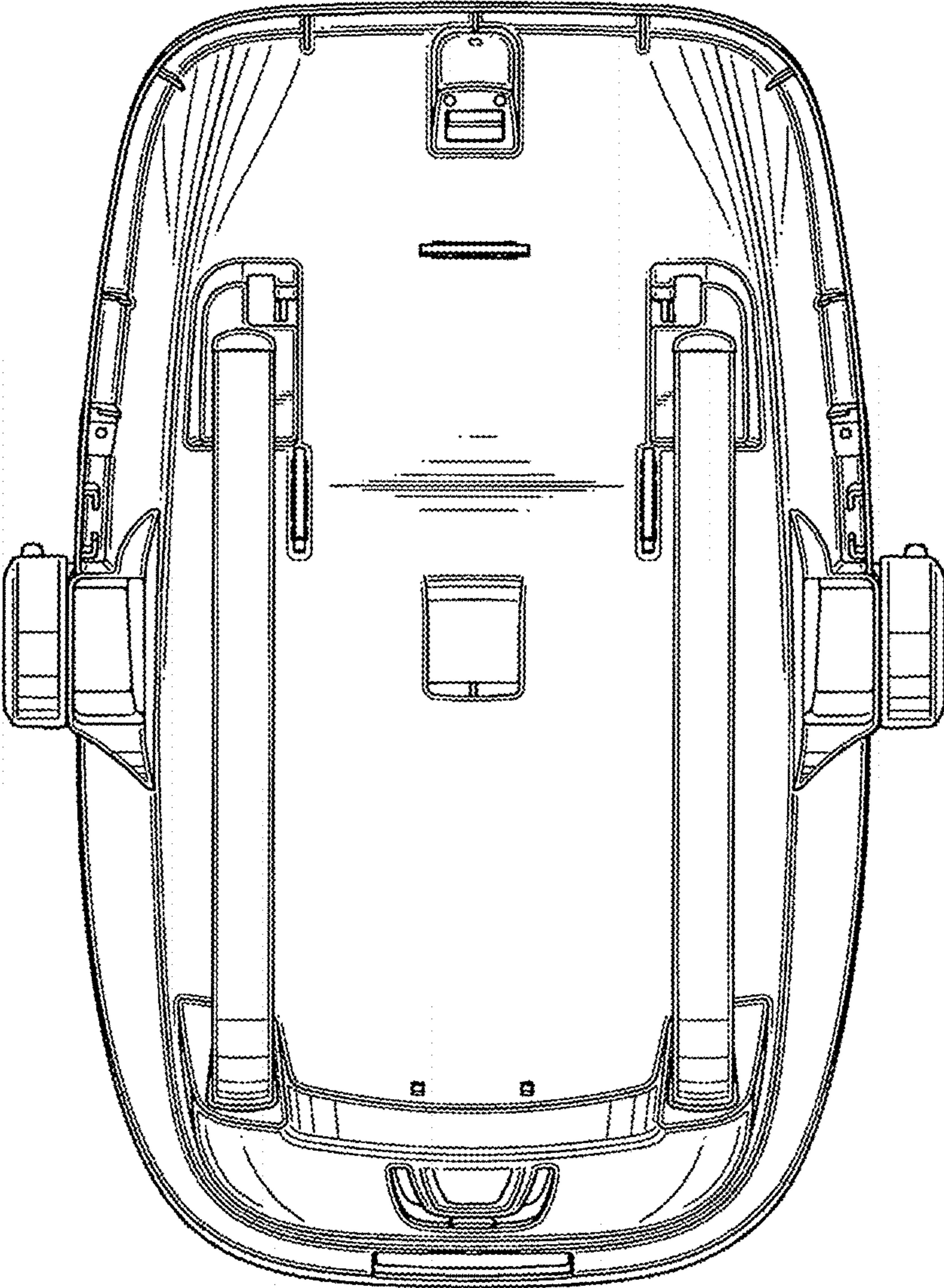


FIG. 5

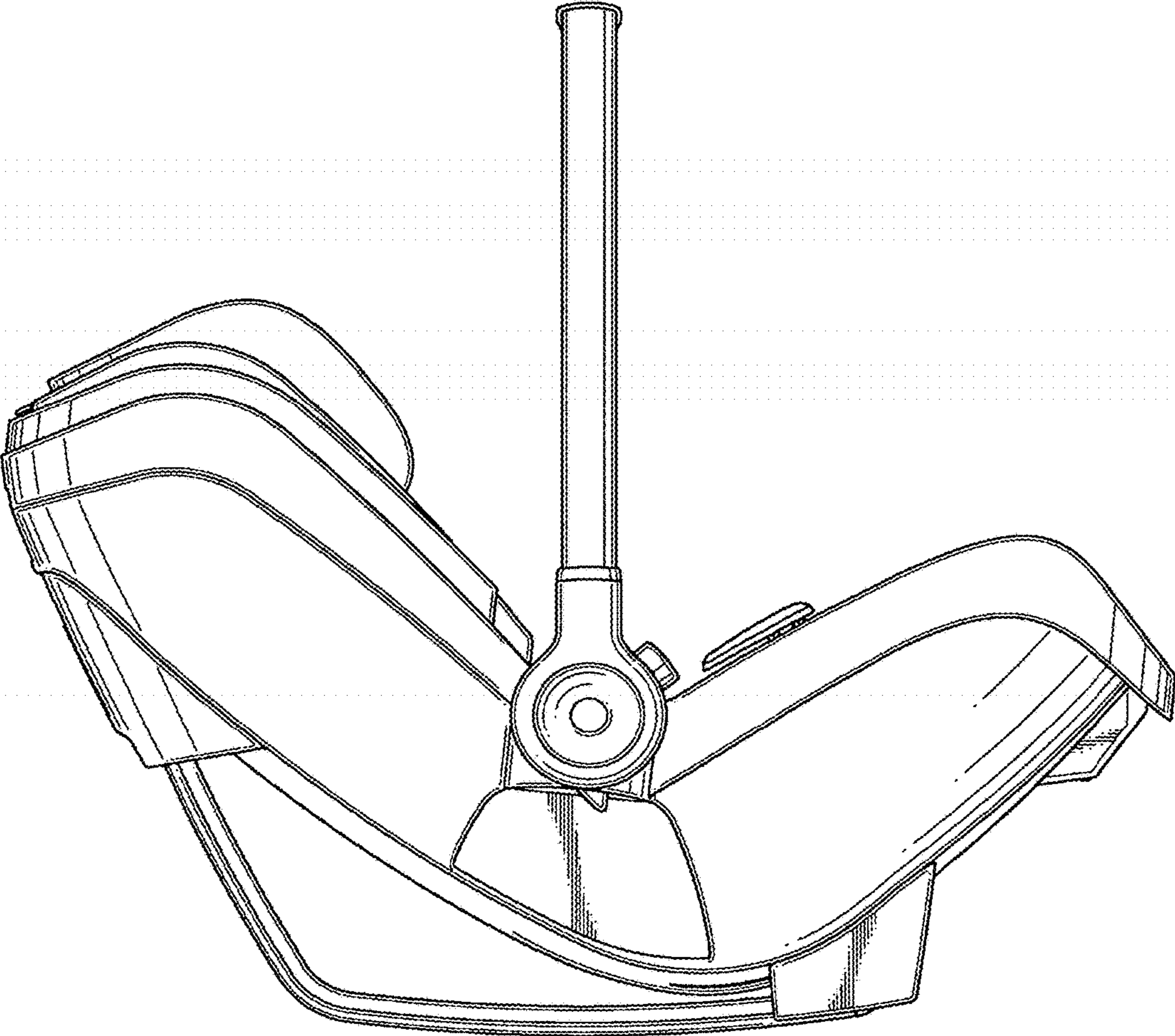


FIG. 6

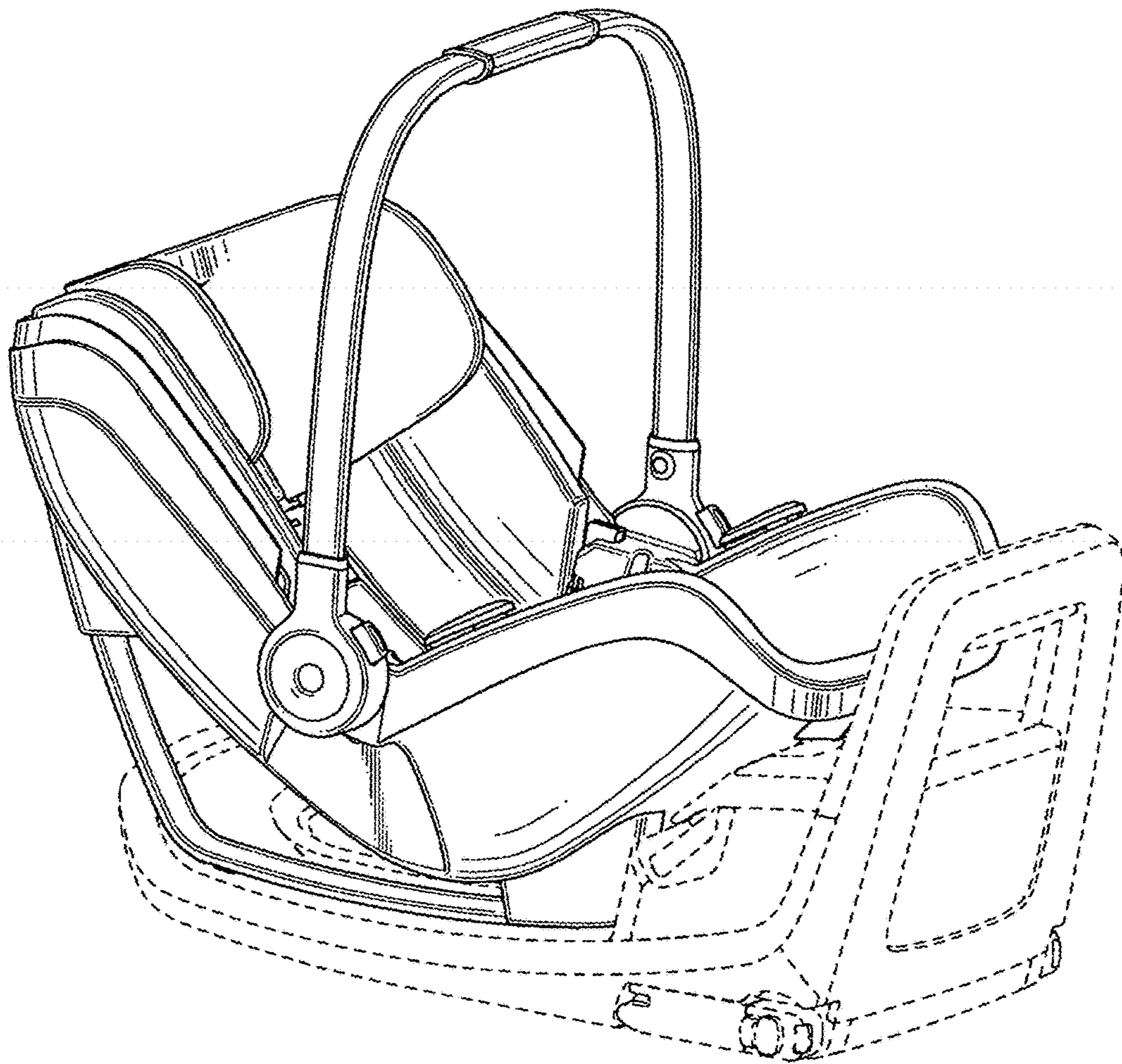


FIG. 7