



US00D824176S

(12) **United States Design Patent** (10) **Patent No.:** **US D824,176 S**  
**Kawasaki et al.** (45) **Date of Patent:** **\*\* Jul. 31, 2018**

(54) **CLEANING TOOL**  
(71) Applicant: **3M INNOVATIVE PROPERTIES COMPANY**, St. Paul, MN (US)  
(72) Inventors: **Shingo Kawasaki**, Tokyo (JP); **Hitoshi Ono**, Kanagawa (JP)  
(73) Assignee: **3M INNOVATIVE PROPERTIES COMPANY**, St. Paul, MN (US)  
(\*\*) Term: **15 Years**  
(21) Appl. No.: **29/572,399**  
(22) Filed: **Jul. 27, 2016**  
(51) **LOC (11) Cl.** ..... **04-99**  
(52) **U.S. Cl.**  
USPC ..... **D4/137**; D32/15  
(58) **Field of Classification Search**  
USPC ..... D4/118, 132-134, 136-138, 128, 119;  
D32/51, 19, 20, 49; D28/63  
CPC .... A46B 5/02; A46B 9/04; A46B 3/18; A61C  
15/00  
See application file for complete search history.

D625,924 S \* 10/2010 Juergens ..... D4/128  
D632,085 S \* 2/2011 Kroehl ..... D4/128  
D655,093 S \* 3/2012 Raven ..... D4/138  
2008/0156680 A1\* 7/2008 Lai ..... A47K 17/00  
206/361  
2011/0225751 A1\* 9/2011 Chapman ..... A46B 15/0055  
15/114  
2015/0374183 A1\* 12/2015 Henry ..... A47K 11/10  
15/104.94

**FOREIGN PATENT DOCUMENTS**

JP D1394743 8/2010  
JP D1432412 1/2012  
JP D1493894 3/2014  
JP D1527606 6/2015  
JP D1534969 10/2015  
JP D1580457 7/2017

\* cited by examiner

*Primary Examiner* — Michelle E Wilson  
(74) *Attorney, Agent, or Firm* — Irina Hass

(57) **CLAIM**

The ornamental design for a cleaning tool, as shown and described.

**DESCRIPTION**

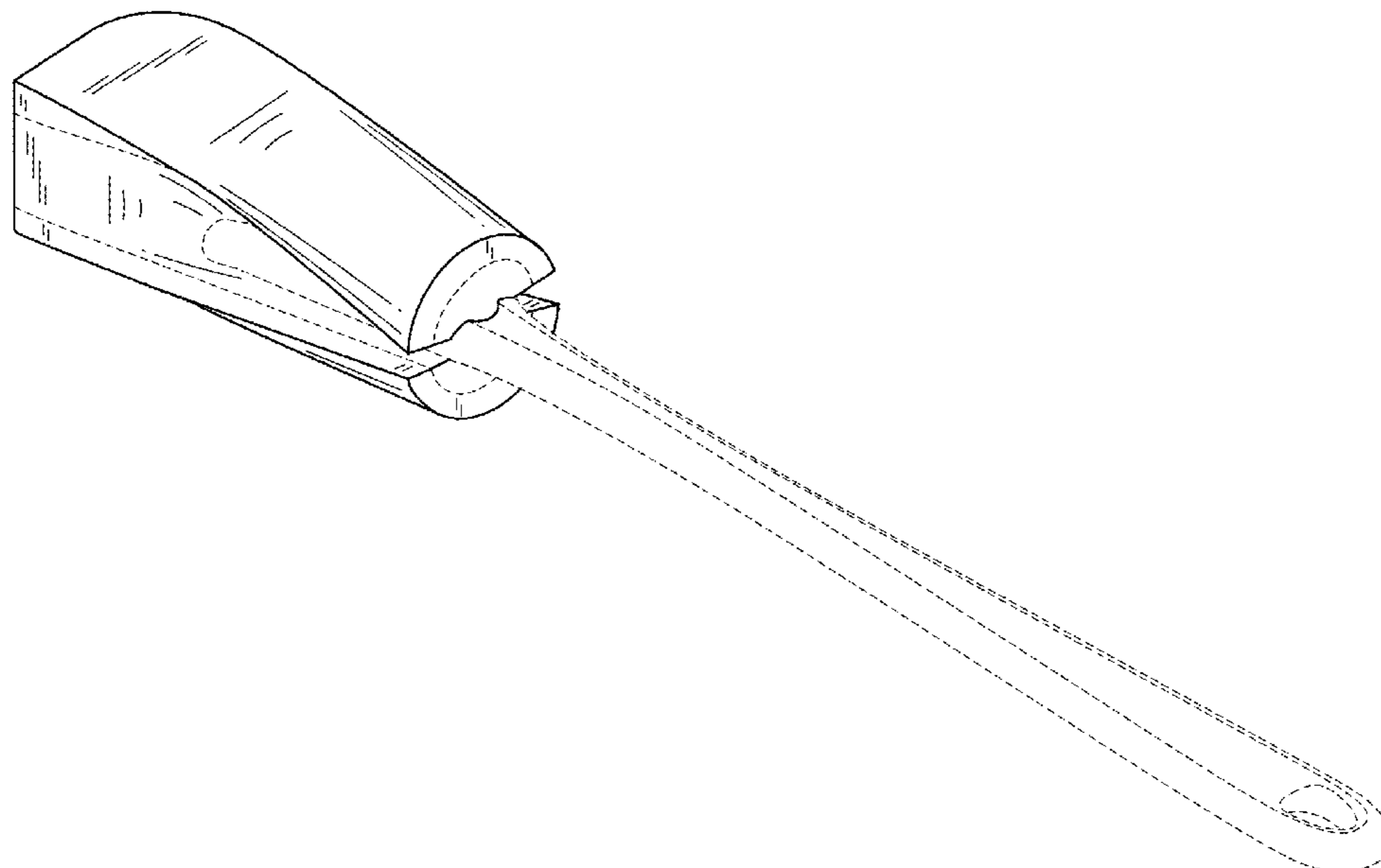
FIG. 1 is a perspective view showing the new design for a cleaning tool;  
FIG. 2 is a top view thereof;  
FIG. 3 is a front view thereof, a rear view being a mirror image thereof;  
FIG. 4 is a bottom view thereof;  
FIG. 5 is a right side view thereof; and,  
FIG. 6 is a left side view thereof.  
The portions of the cleaning tool in FIGS. 1-6 shown in broken lines are included to show features that form no part of the claimed design.

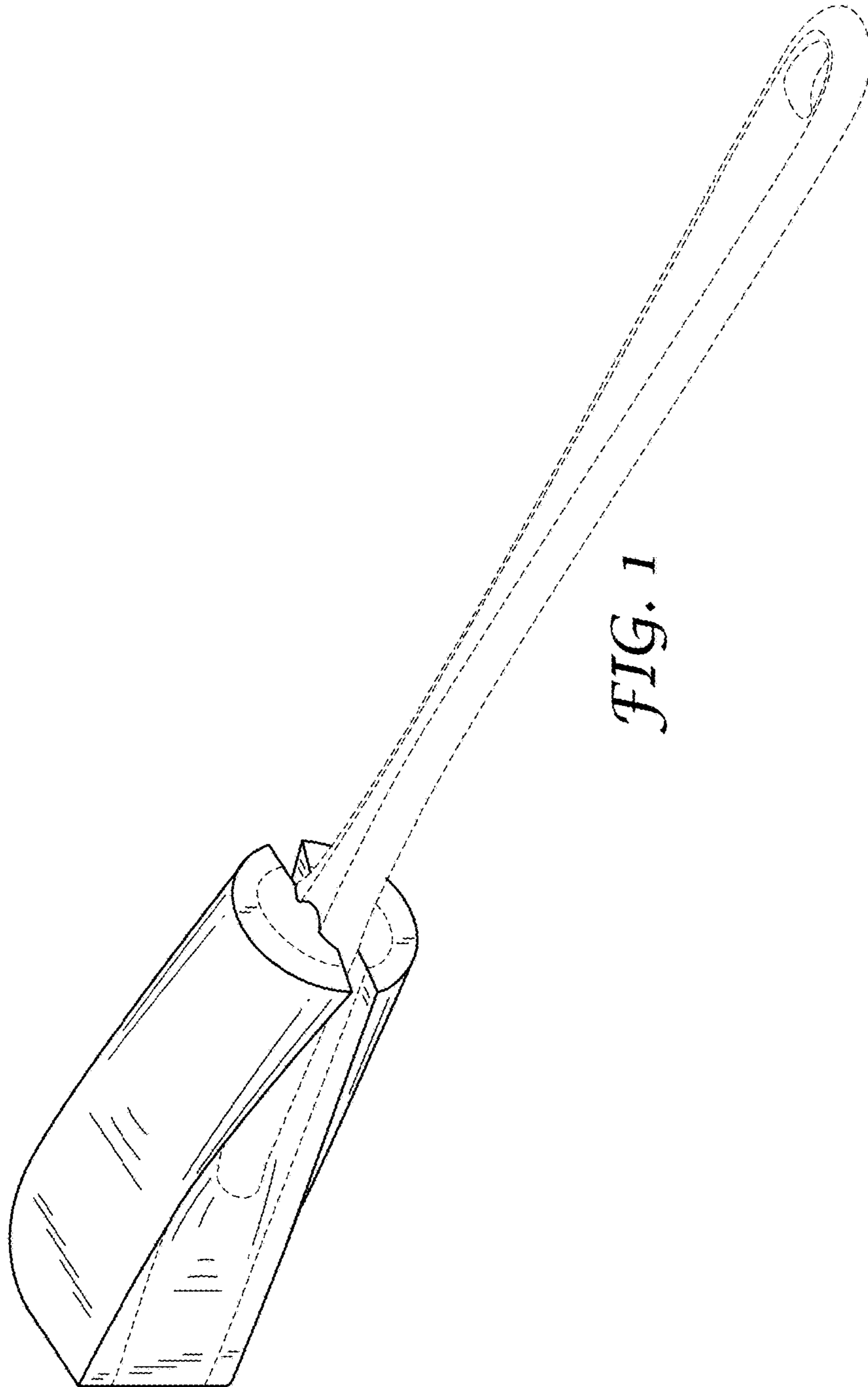
**1 Claim, 2 Drawing Sheets**

(56) **References Cited**

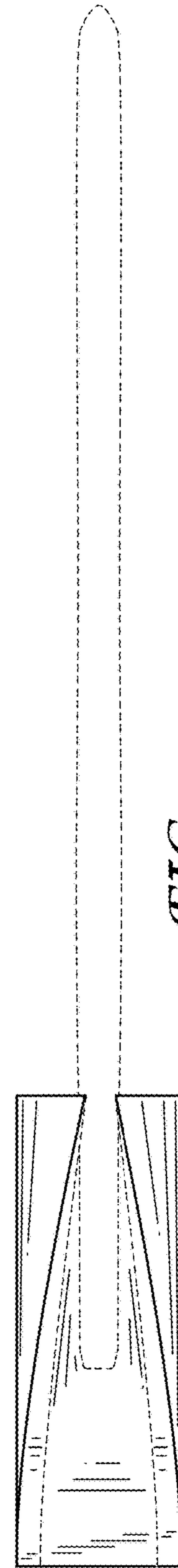
**U.S. PATENT DOCUMENTS**

D266,035 S \* 9/1982 Thompson ..... D4/128  
D281,743 S \* 12/1985 Thompson ..... D4/121  
D308,443 S \* 6/1990 Vetter ..... D4/131  
D315,989 S \* 4/1991 Levien ..... D32/40  
D404,924 S \* 2/1999 Schmidt ..... D32/51  
D446,671 S \* 8/2001 Thurston-Chartraw ..... D6/551  
D448,176 S \* 9/2001 Petner ..... D4/119  
D468,112 S \* 1/2003 Libman ..... D4/138  
D508,608 S \* 8/2005 Huff ..... D32/45  
7,430,779 B1 \* 10/2008 Garry ..... A46B 7/023  
15/104.05





*FIG. 1*



*FIG. 2*

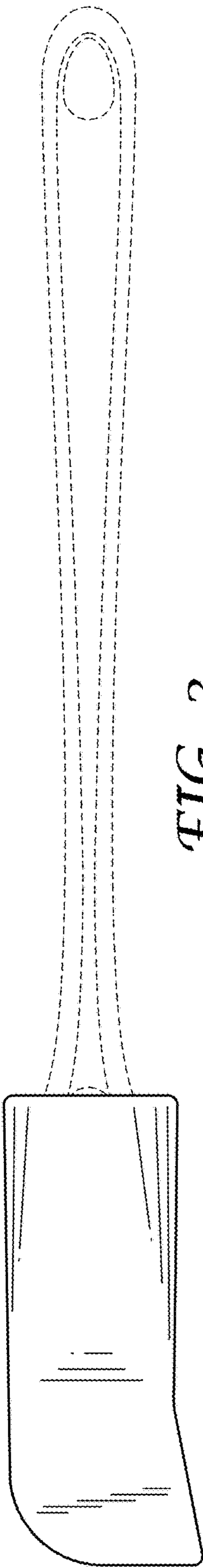


FIG. 3

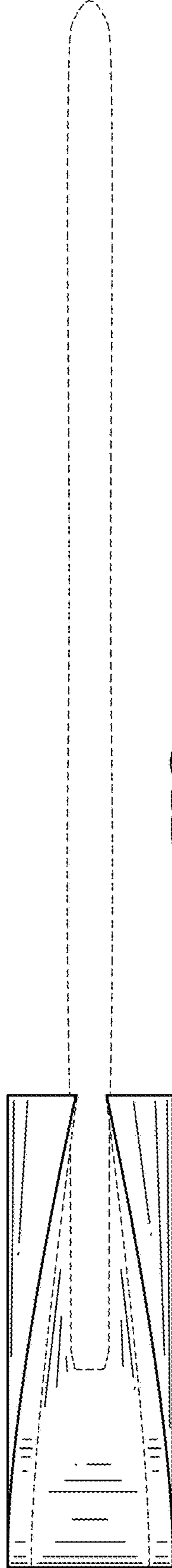


FIG. 4

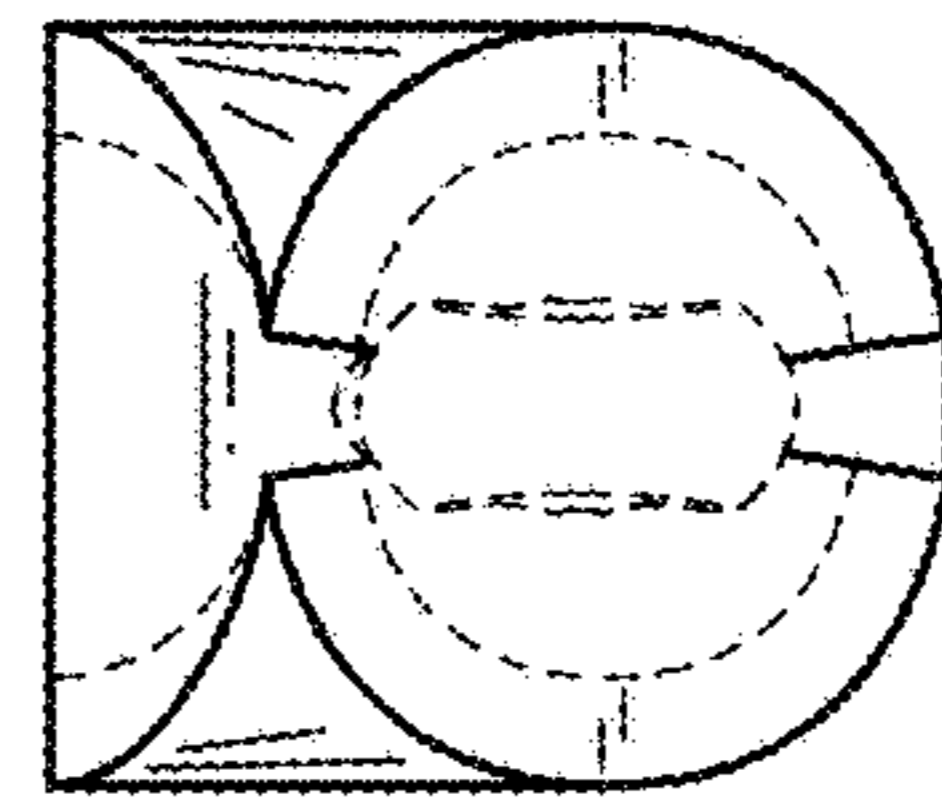


FIG. 5

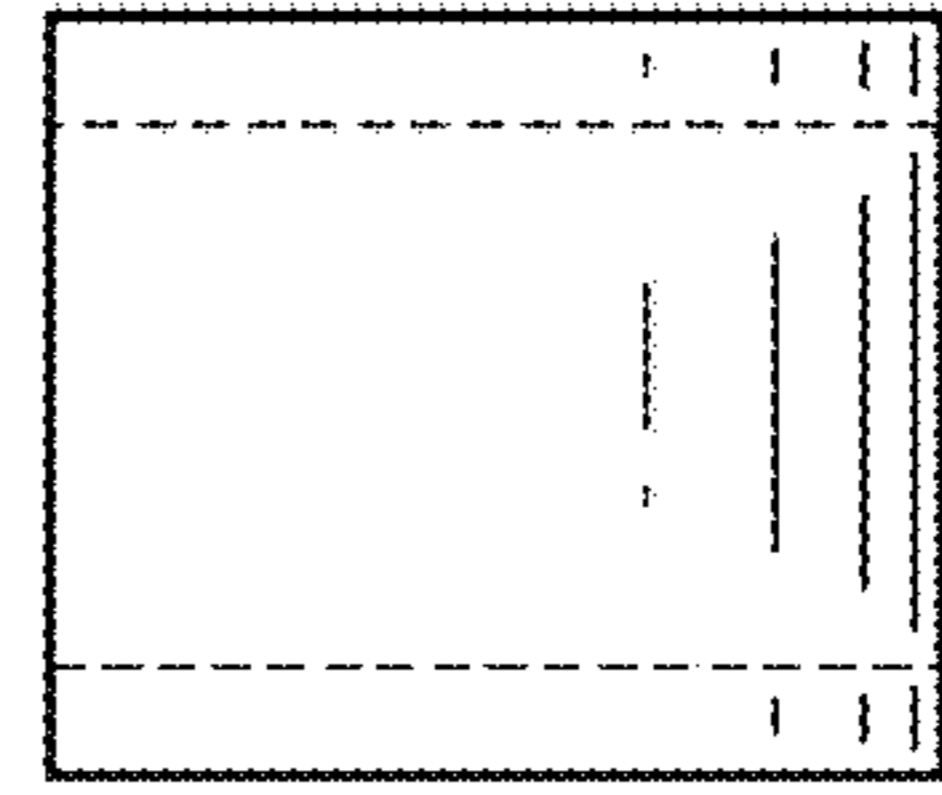


FIG. 6