



US00D824175S

(12) **United States Design Patent** (10) **Patent No.:** **US D824,175 S**
Yan (45) **Date of Patent:** **** Jul. 31, 2018**

(54) **ELECTRIC TOOTHBRUSH**

FOREIGN PATENT DOCUMENTS

(71) Applicant: **Guangdong Roman Technology Co., Ltd.**, Dongguan (CN)

EM 003418144-0001 * 10/2016

(72) Inventor: **Youchun Yan**, Dongguan (CN)

OTHER PUBLICATIONS

(73) Assignee: **GUANGDONG ROMAN TECHNOLOGY CO., LTD.**, Dongguan (CN)

Sonic Electric Toothbrush Portable, Rechargeable Electric Toothbrush Adult, [on-line]; [Internet publication date unknown]; [retrieved from the Internet on Dec. 26, 2017]; URL: refer to the first page of the provided copy. (4 pgs). (Year: 2017).*

(**) Term: **15 Years**

* cited by examiner

(21) Appl. No.: **29/581,345**

Primary Examiner — Karen S Acker

(22) Filed: **Oct. 18, 2016**

Assistant Examiner — Jasmine Mlinarcik

(51) **LOC (11) Cl.** **28-03**

(74) *Attorney, Agent, or Firm* — Ming Chow; Sinorica, LLC

(52) **U.S. Cl.**

USPC **D4/101**

(58) **Field of Classification Search**

(57) **CLAIM**

USPC D4/100, 101, 102, 104, 108, 112, 113;
D24/119, 152, 176

The ornamental design for an electric toothbrush, as shown and described.

CPC .. A46B 5/00; A46B 5/021; A46B 9/04; A46B 9/10; A46B 2200/106

See application file for complete search history.

DESCRIPTION

(56) **References Cited**

FIG. 1 is a perspective view of the electric toothbrush showing my new design;

U.S. PATENT DOCUMENTS

D220,239 S	*	3/1971	Rams et al.	D4/101
D343,064 S	*	1/1994	Reno	D4/104
D490,981 S	*	6/2004	Hoffecker	D4/101
D533,349 S	*	12/2006	Jimenez	D4/101
D580,173 S	*	11/2008	Beedham	D4/101
D630,854 S	*	1/2011	Lozov	D4/101
D719,737 S	*	12/2014	Adriaenssen	D4/101
D749,853 S	*	2/2016	Cessot	D4/101
D759,381 S	*	6/2016	Watkins	D4/101
D773,822 S	*	12/2016	Sikora	D4/101

FIG. 2 is a front elevation view thereof;

FIG. 3 is a rear elevation view thereof;

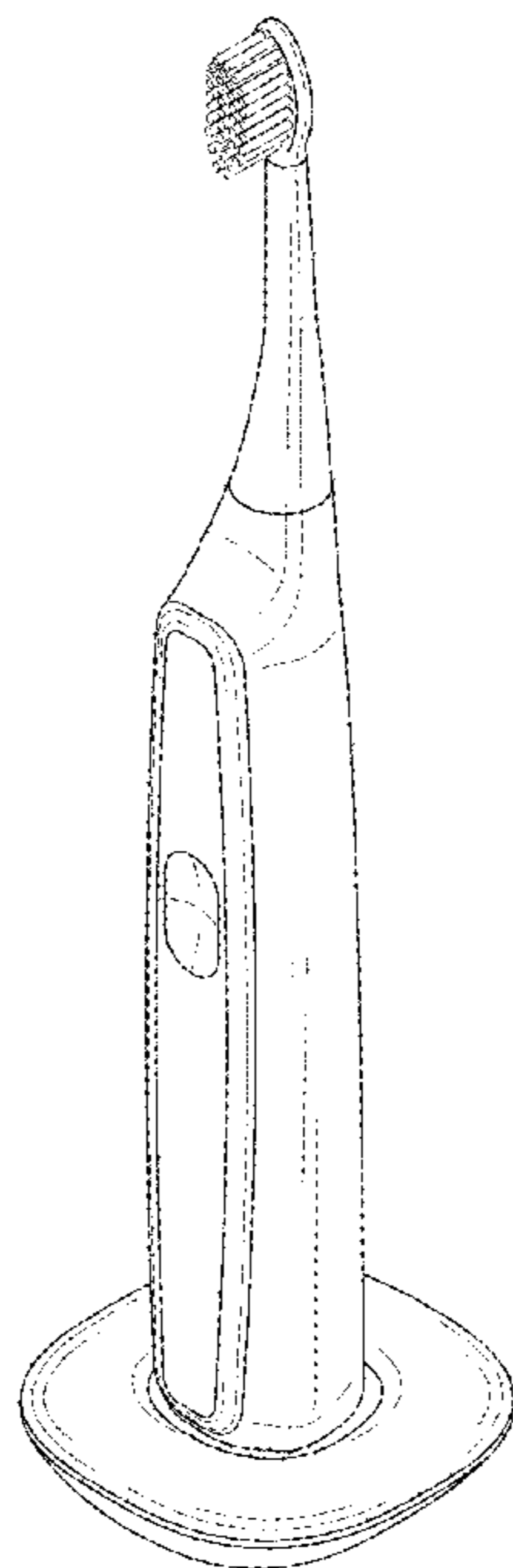
FIG. 4 is left side view thereof;

FIG. 5 is a top plan view thereof; and,

FIG. 6 is a bottom plan view thereof.

The broken line and the area within it in FIG. 6 depict portions of the electric toothbrush that form no part of the claimed design.

1 Claim, 6 Drawing Sheets



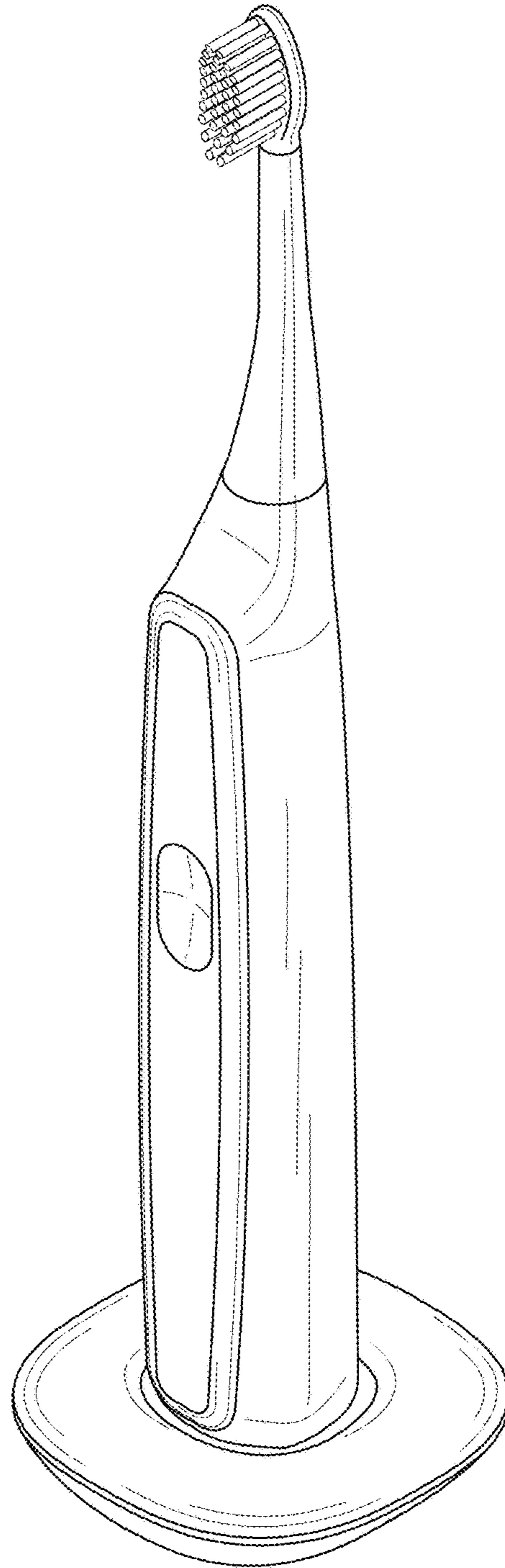


FIG.1

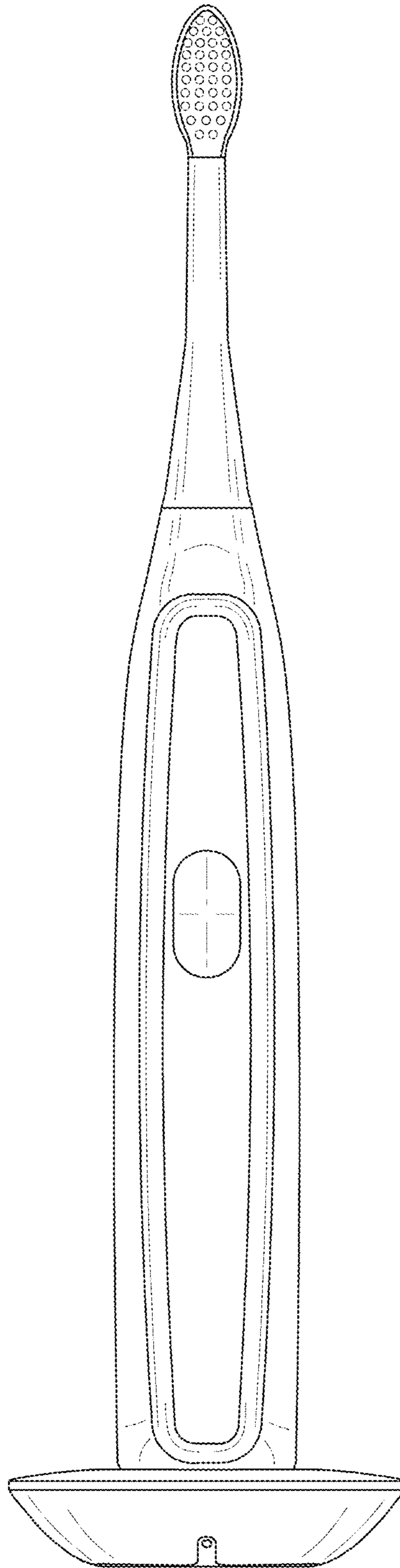


FIG.2

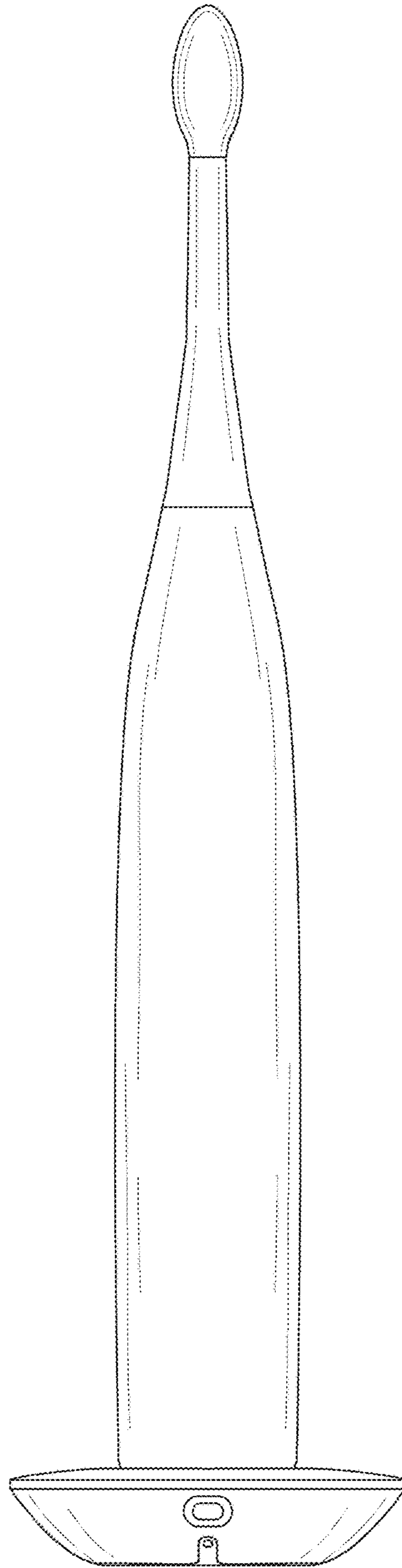


FIG. 3

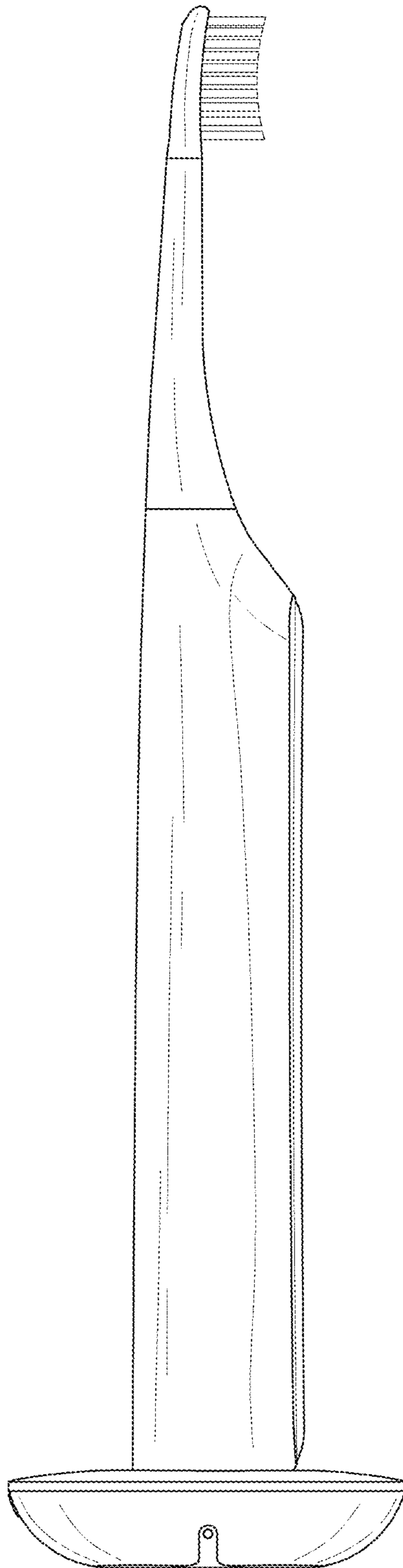


FIG.4

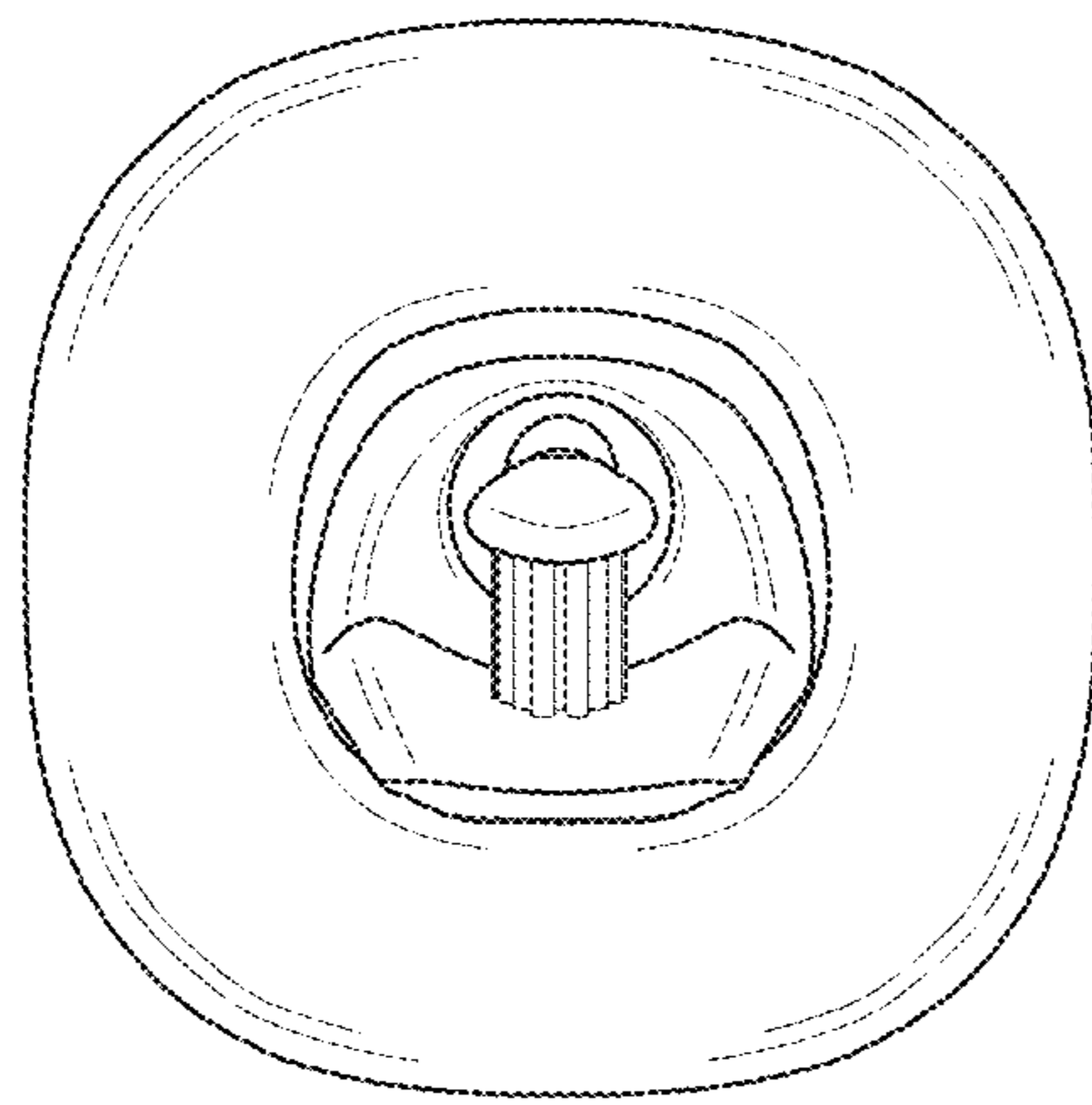


FIG.5

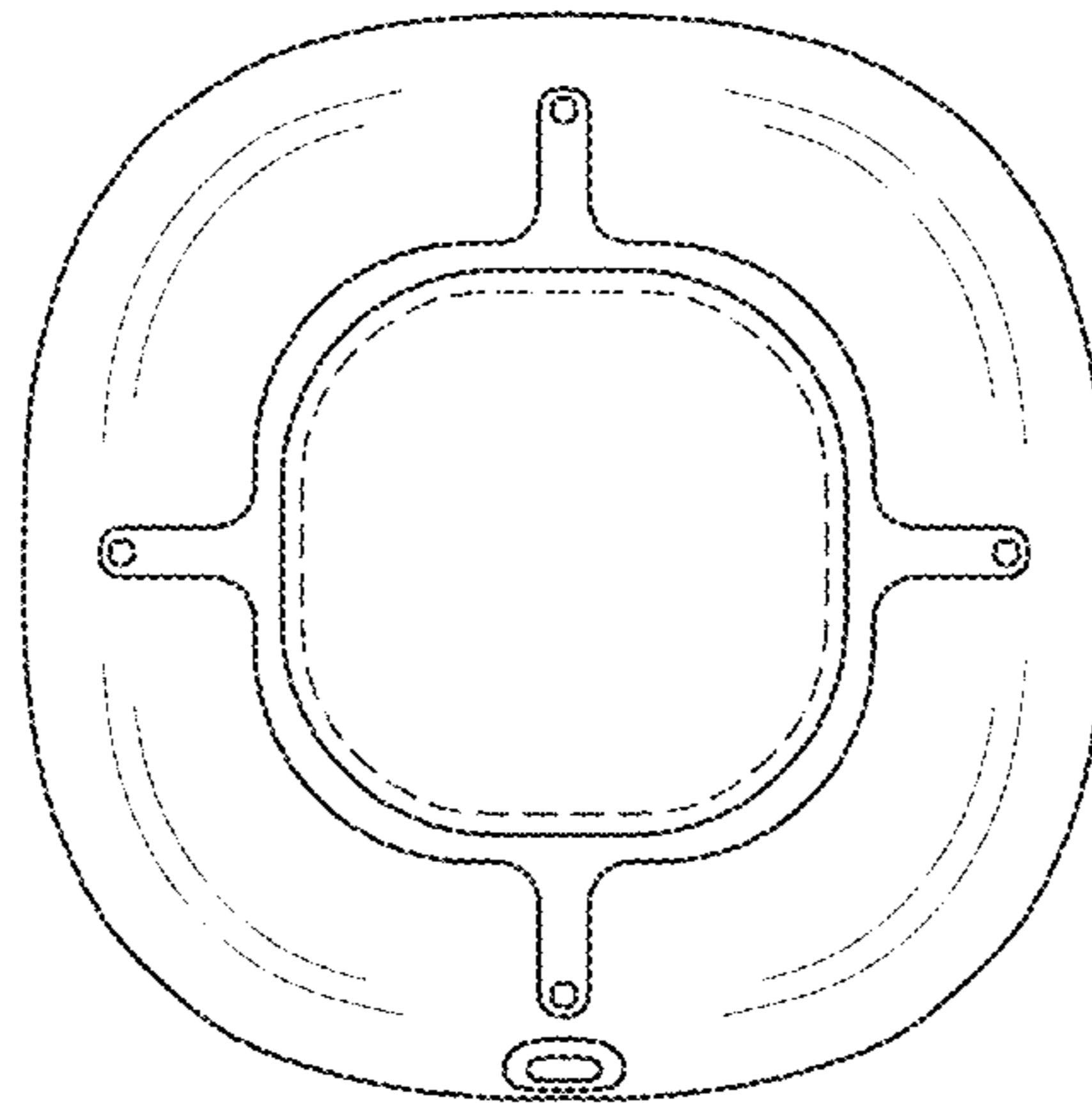


FIG. 6