

US00D824174S

(12) **United States Design Patent** (10) **Patent No.:** **US D824,174 S**  
**Altmann et al.** (45) **Date of Patent:** **\*\* Jul. 31, 2018**

(54) **TOOTHBRUSH HEAD**  
(71) Applicant: **Braun GmbH**, Kronberg (DE)  
(72) Inventors: **Niclas Altmann**, Schoeneck (DE);  
**Anke Renz**, Schwalbach (DE); **Bianka  
Becker-Salzsäuler**, Liederbach (DE);  
**Heidrun Schmelcher**, Kronberg (DE);  
**Fritz Schubert**, Bad Camberg (DE);  
**Ulrich Stoerkel**, Bad Nauheim (DE)

(73) Assignee: **BRAUN GMBH**, Kronberg (DE)

(\*\*) Term: **15 Years**

(21) Appl. No.: **29/561,313**

(22) Filed: **Apr. 14, 2016**

(51) **LOC (11) Cl.** ..... **04-02**

(52) **U.S. Cl.**

USPC ..... **D4/101**

(58) **Field of Classification Search**

USPC ..... D4/100, 104, 116, 119, 121, 127, 129,  
D4/130, 136, 137, 138, 101, 105-112;  
D24/133, 152; D28/21, 33, 58, 59;  
D30/138, 139

CPC ..... A46B 15/0081; A46B 2200/1026; A46B  
3/22; A46B 9/005; A46B 9/026; A46B  
9/06; A46B 15/0055; A46B 15/0075

See application file for complete search history.

(56) **References Cited**

**U.S. PATENT DOCUMENTS**

D278,481 S \* 4/1985 Ditgen ..... D4/104  
D361,209 S \* 8/1995 Curtis ..... D4/104  
D459,892 S \* 7/2002 Eliav ..... D4/101  
D465,926 S \* 11/2002 Eliav ..... D4/101  
D480,875 S \* 10/2003 De Salvo ..... D4/101  
D483,183 S \* 12/2003 De Salvo ..... D4/101  
D485,439 S \* 1/2004 Breit ..... D4/101  
D487,636 S \* 3/2004 De Salvo ..... D4/101

D501,605 S \* 2/2005 Brown, Jr. .... D4/101  
D509,362 S \* 9/2005 Maeda ..... D4/101  
D577,199 S \* 9/2008 Zhuan ..... D4/101  
D579,664 S \* 11/2008 Fisher ..... D4/101  
D589,256 S \* 3/2009 Taylor ..... D4/101  
D611,712 S \* 3/2010 Stoerkel ..... D4/104  
D612,611 S \* 3/2010 Brown, Jr. .... D4/101  
D632,894 S \* 2/2011 Shigeno ..... D4/101  
D652,626 S \* 1/2012 Gebski ..... D4/101  
D657,565 S \* 4/2012 Gebski ..... D4/101  
D676,660 S \* 2/2013 Crossman ..... D4/101  
D688,045 S \* 8/2013 Key ..... D4/101  
D689,698 S \* 9/2013 Dickie ..... D4/101  
D703,443 S \* 4/2014 Gatzemeyer ..... D4/101  
D706,033 S \* 6/2014 Dickie ..... D4/101  
D724,845 S \* 3/2015 Yoshida ..... D4/101  
D759,383 S \* 6/2016 Watkins ..... D4/101  
2009/0007357 A1 \* 1/2009 Meadows ..... A46B 9/005  
15/167.1

(Continued)

**FOREIGN PATENT DOCUMENTS**

CN 304108476 \* 4/2017  
KR 300878586.0000 \* 10/2016  
WO WOD093822-001 \* 11/2016

*Primary Examiner* — Caron D Veynar  
*Assistant Examiner* — Katrina N Gonzalez

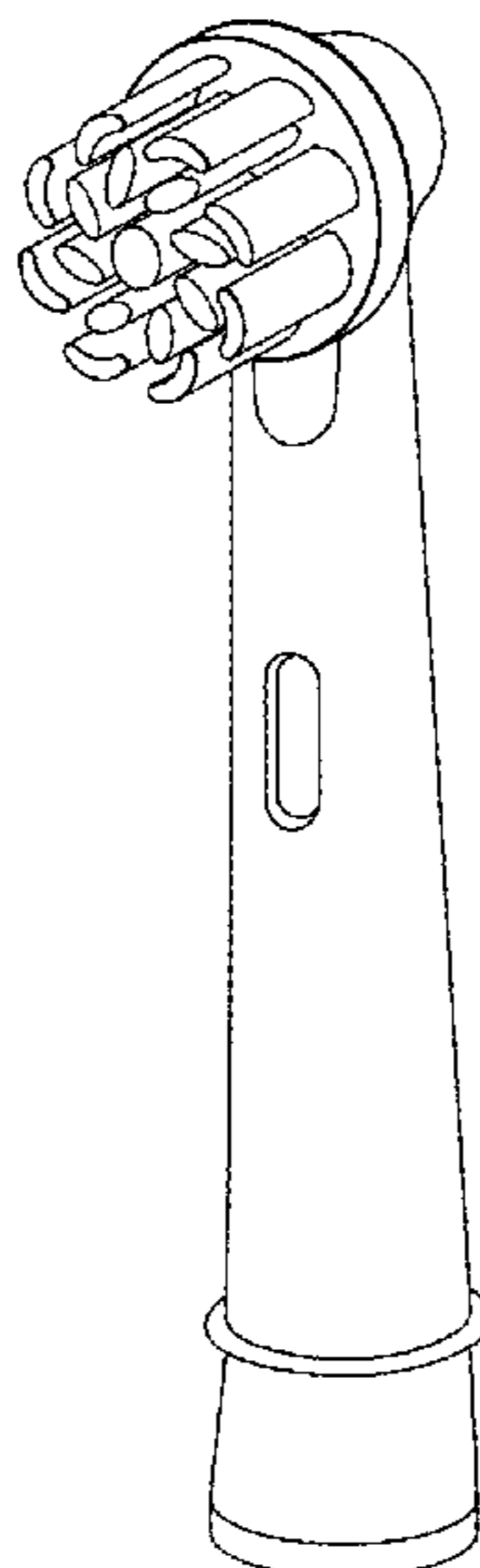
(57) **CLAIM**

The ornamental design for a toothbrush head or the like, as shown and described.

**DESCRIPTION**

FIG. 1 is a perspective view of a toothbrush head;  
FIG. 2 is a front view thereof;  
FIG. 3 is a right side view thereof;  
FIG. 4 is a rear view thereof;  
FIG. 5 is a left side view thereof;  
FIG. 6 is a top plan view thereof; and,  
FIG. 7 is a bottom view thereof.

**1 Claim, 2 Drawing Sheets**



(56)

**References Cited**

U.S. PATENT DOCUMENTS

2017/0128178 A1\* 5/2017 Schmidt ..... A61C 17/222

\* cited by examiner

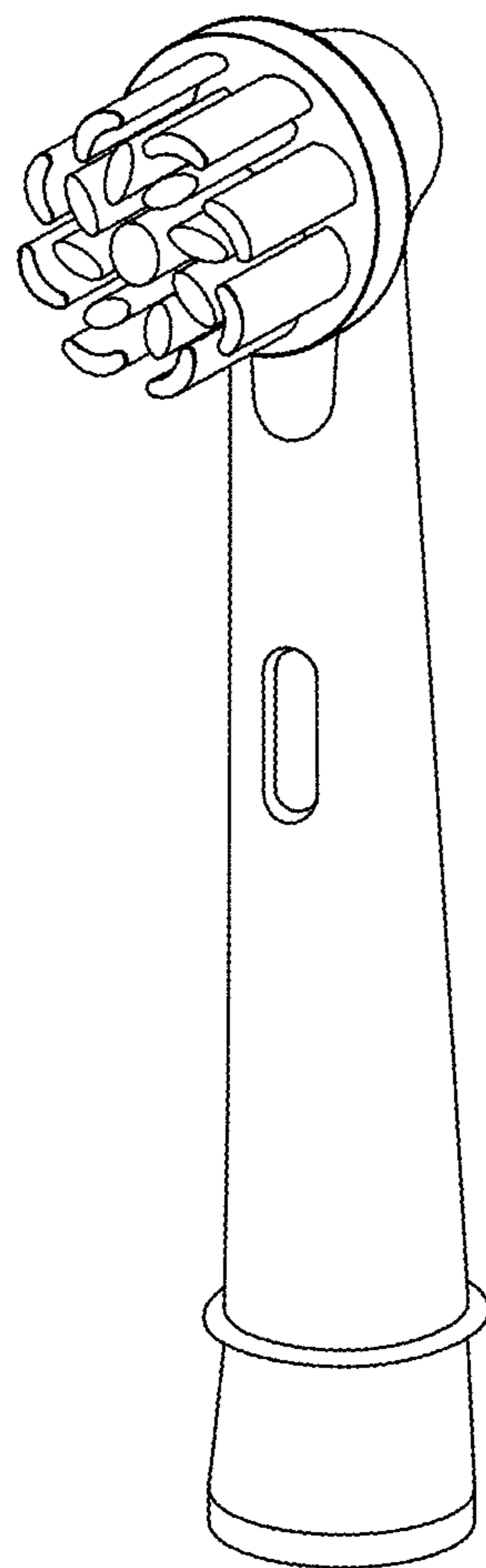


FIG. 1

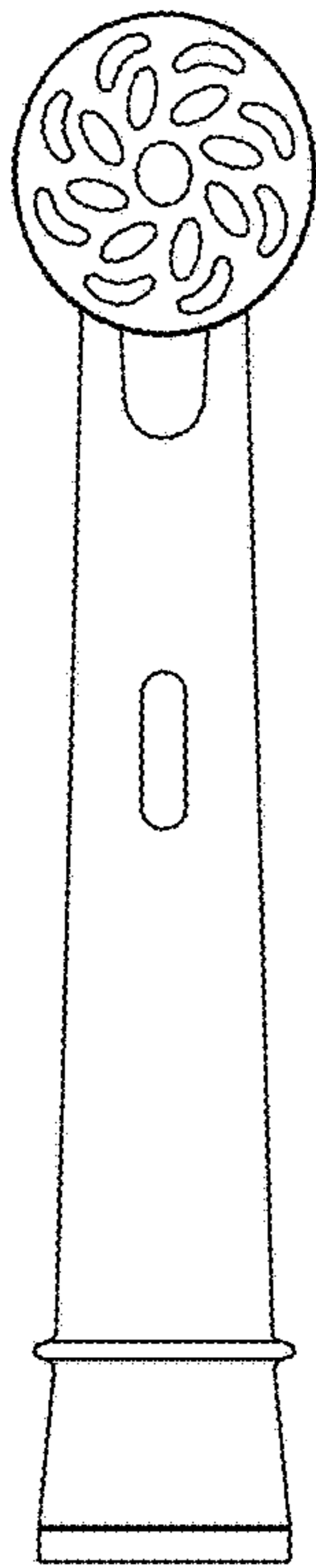


FIG. 2

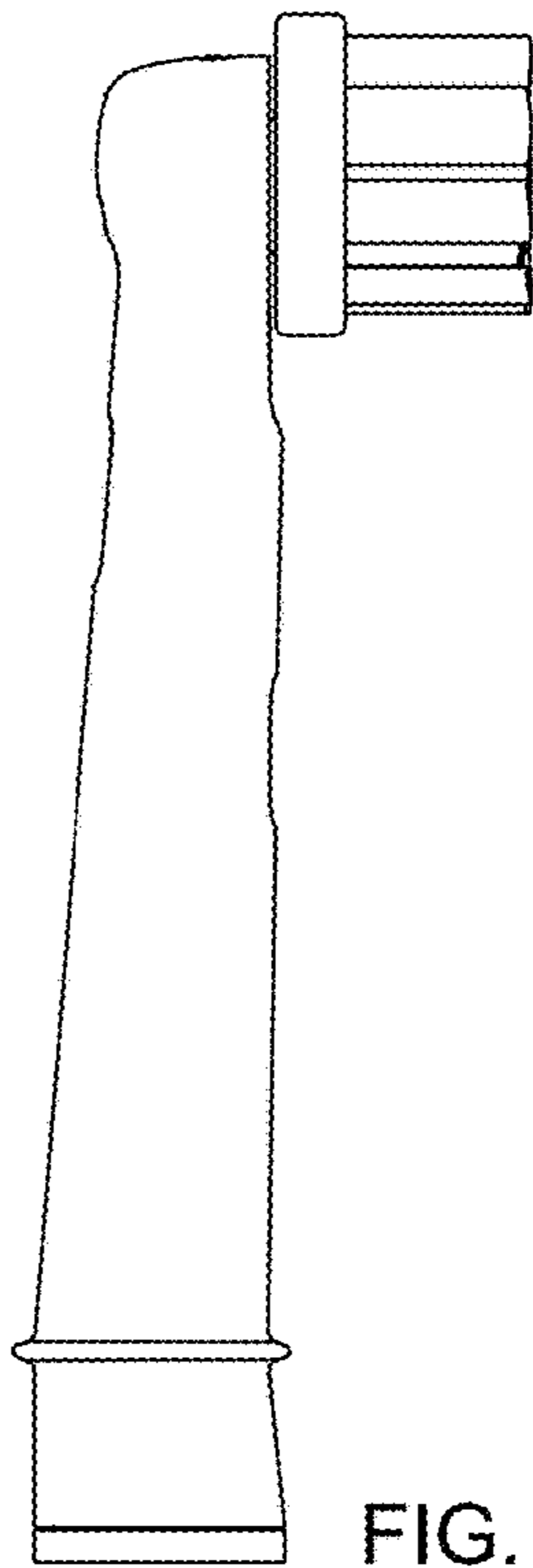


FIG. 3

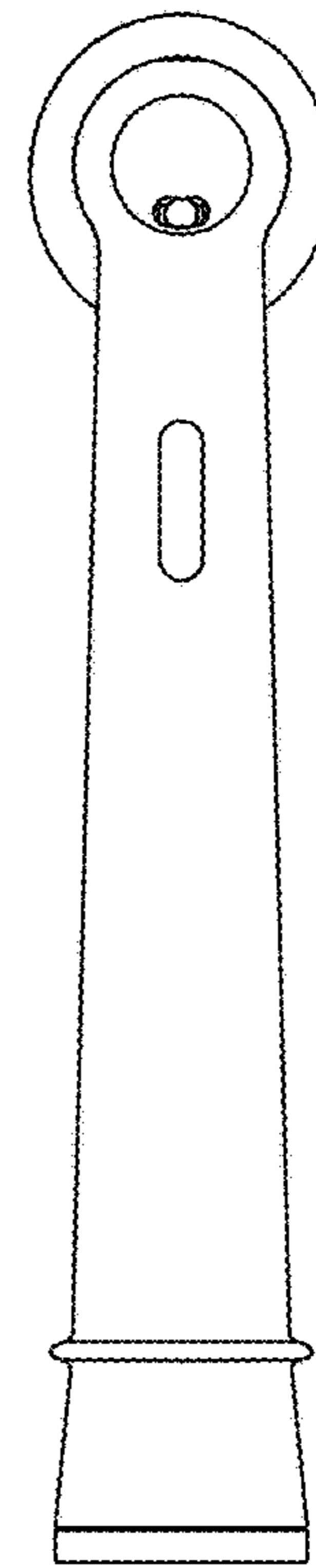


FIG. 4

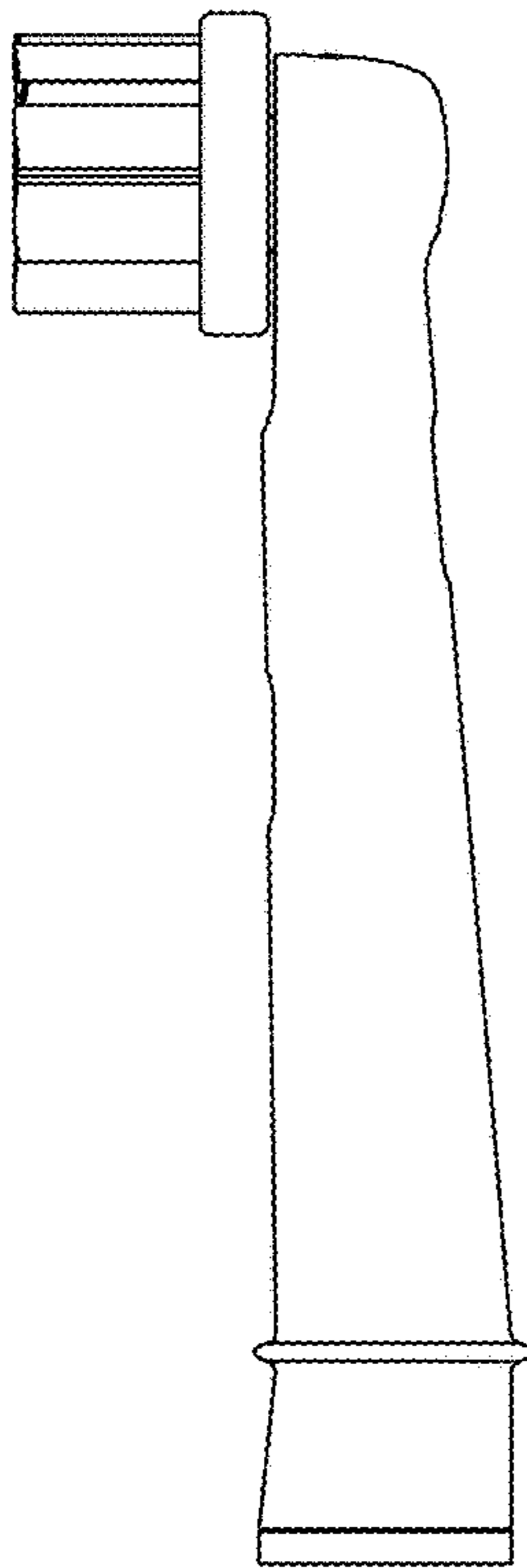


FIG. 5

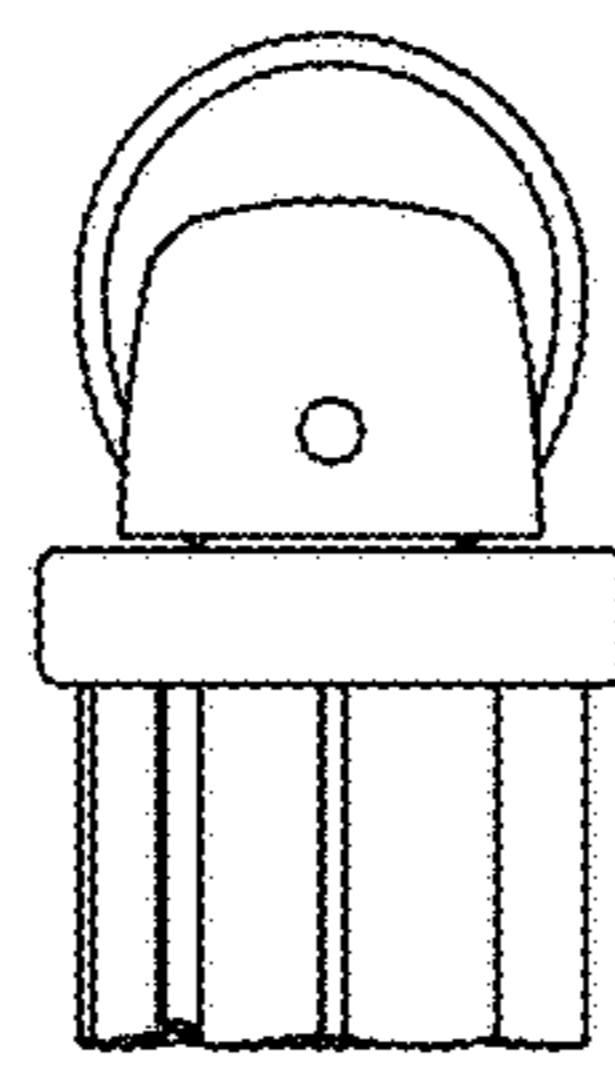


FIG. 6

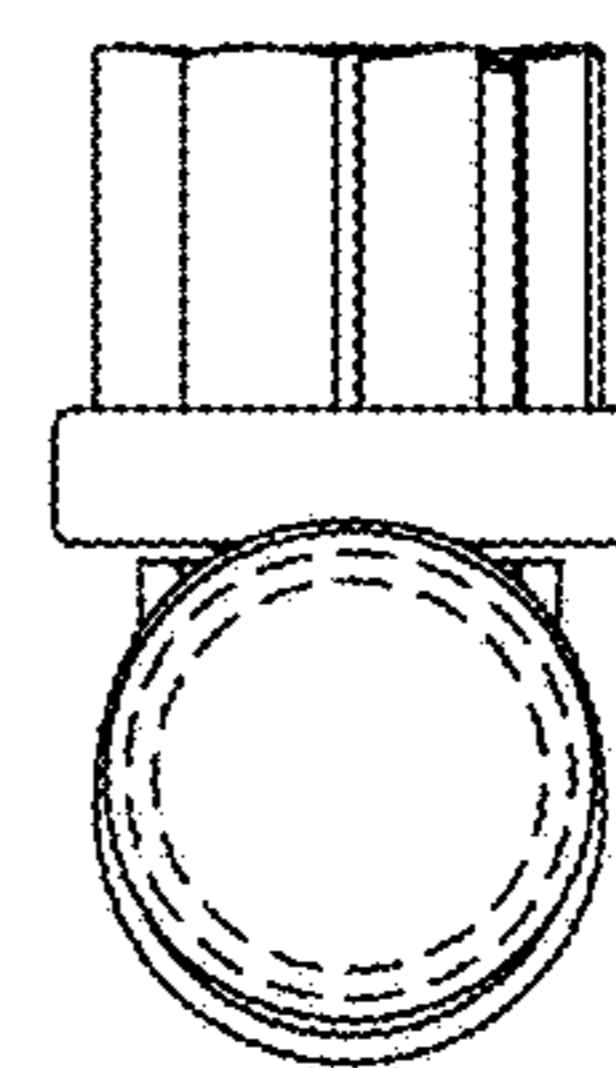


FIG. 7