



US00D824173S

(12) **United States Design Patent** (10) **Patent No.:** **US D824,173 S**  
**Richmond et al.** (45) **Date of Patent:** **\*\* Jul. 31, 2018**

(54) **HAIR STYLER**

- (71) Applicant: **TRADE BOX, LLC**, Culver City, CA (US)
- (72) Inventors: **David J. Richmond**, Culver City, CA (US); **Howard C. Richmond**, Los Angeles, CA (US); **Gregory S. Thüne**, Glendale, CA (US)
- (73) Assignee: **Trade Box, LLC**, Culver City, CA (US)
- (\*\*) Term: **15 Years**
- (21) Appl. No.: **29/609,165**
- (22) Filed: **Jun. 28, 2017**

**Related U.S. Application Data**

- (63) Continuation-in-part of application No. 15/411,865, filed on Jan. 20, 2017.
- (51) **LOC (11) Cl.** ..... **04-02**
- (52) **U.S. Cl.**  
USPC ..... **D4/100; D28/35**
- (58) **Field of Classification Search**  
USPC ..... D4/100, 114, 115, 116, 120, 128, 133, D4/136; D28/10, 13, 15, 18, 35  
See application file for complete search history.

**References Cited**

**U.S. PATENT DOCUMENTS**

- 205,774 A \* 7/1878 Walker et al. .... A46B 3/20 15/186
- 756,842 A \* 4/1904 Emmons ..... A45D 2/00 132/212

(Continued)

**FOREIGN PATENT DOCUMENTS**

- AU 2016100897 A4 7/2016
- FR 2427805 A1 1/1980

(Continued)

**OTHER PUBLICATIONS**

Web pages printout from <http://www.amazon.com> for "Heat Straight Ultimate Straightening Brush Model No. B950," dated Jan. 20, 2016 (5 pages).

(Continued)

*Primary Examiner* — Karen E Eldridge Powers  
(74) *Attorney, Agent, or Firm* — Jeffrey G. Sheldon; Cislo & Thomas, LLP

(57) **CLAIM**

The ornamental design for a hair styler, as shown and described.

**DESCRIPTION**

FIG. 1 is a perspective view of a first version of the invention, shown in an open position;  
 FIG. 2 is another perspective view of the invention of FIG. 1, shown in an open position;  
 FIG. 3 is a top plan view of the invention of FIG. 1, shown in an open position;  
 FIG. 4 is a bottom plan view of the invention of FIG. 1, shown in an open position;  
 FIG. 5 is a side elevation view of the invention of FIG. 1, shown in an open position, the unshown opposite side elevation view being a mirror image thereof;  
 FIG. 6 is a rear elevation view of the invention of FIG. 1, shown in an open position;  
 FIG. 7 is a front elevation view of the invention of FIG. 1, shown in an open position;  
 FIG. 8 is a perspective view of the first version of the invention, shown in a closed position;  
 FIG. 9 is a perspective view of a second version of the invention, shown in an open position;  
 FIG. 10 is another perspective view of the invention of FIG. 9, shown in an open position;  
 FIG. 11 is a top plan view of the invention of FIG. 9, shown in an open position;  
 FIG. 12 is a bottom plan view of the invention of FIG. 9, shown in an open position;

(Continued)

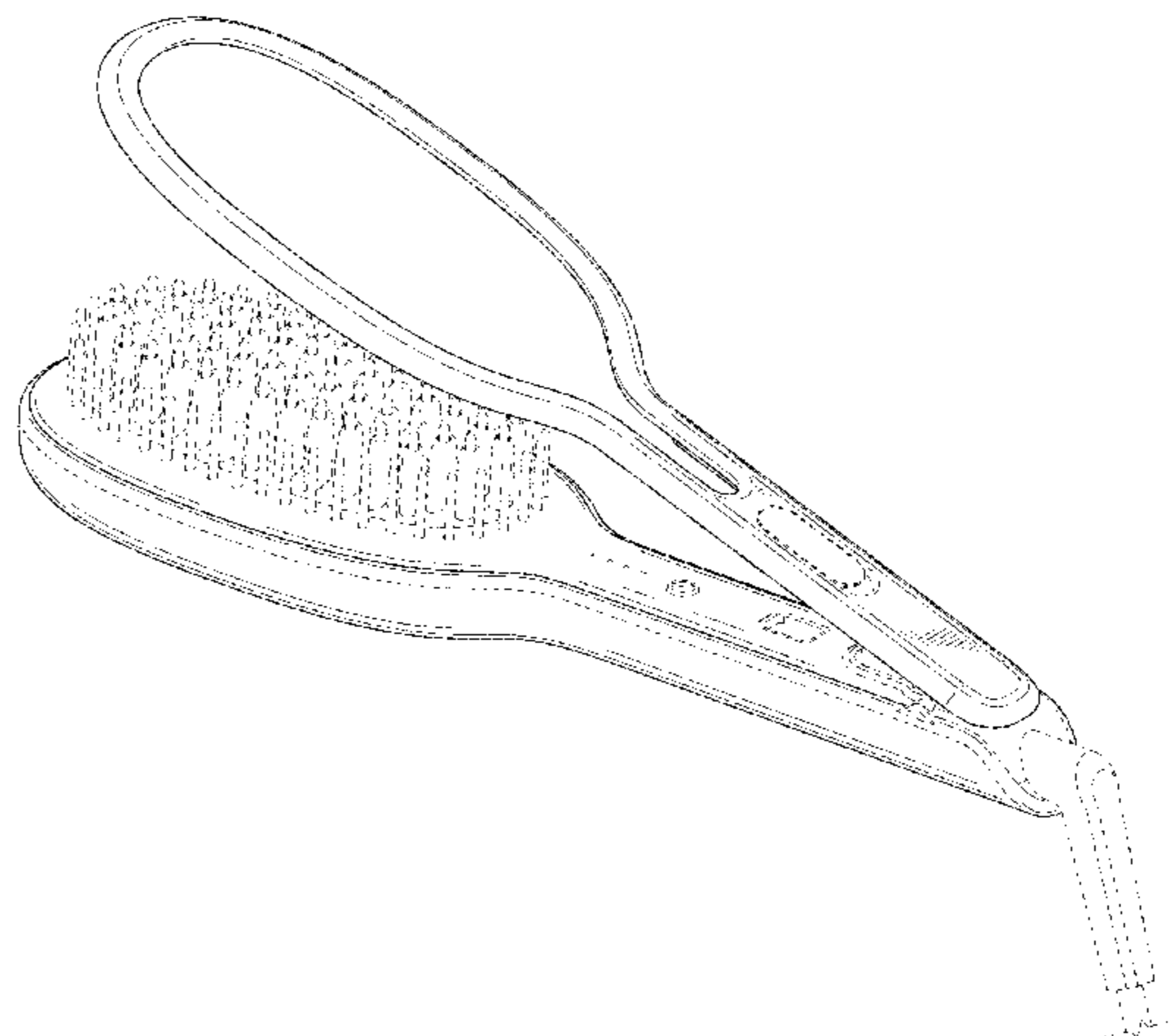
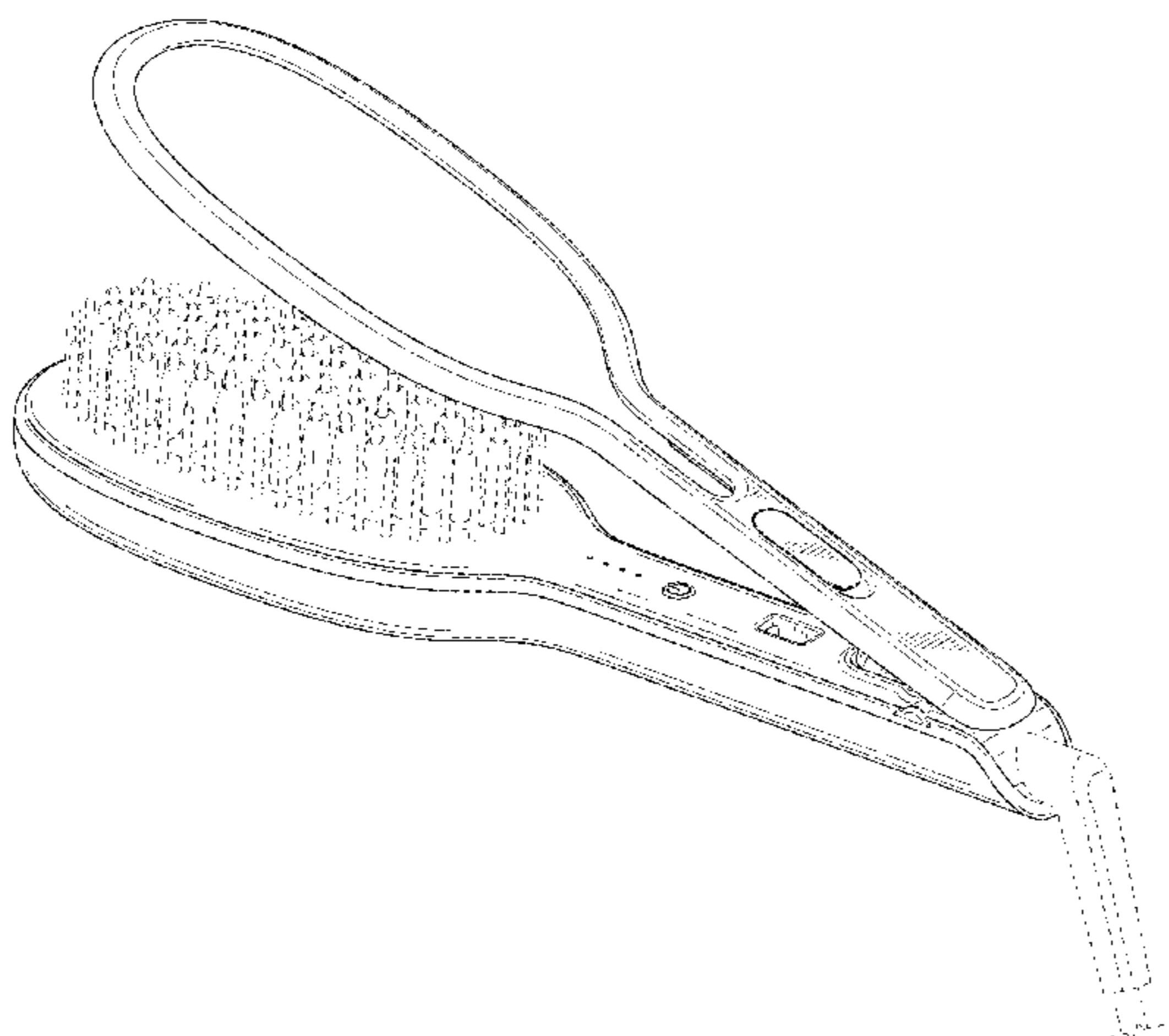


FIG. 13 is a side elevation view of the invention of FIG. 9, shown in an open position, the unshown opposite side elevation view being a mirror image thereof;

FIG. 14 is a rear elevation view of the invention of FIG. 9, shown in an open position;

FIG. 15 is a front elevation view of the invention of FIG. 9, shown in an open position; and,

FIG. 16 is a perspective view of the second version of the invention, shown in a closed position.

All portions of the drawings shown in dashed or broken lines are for illustrating portions of the article that form no part of the claim.

**1 Claim, 12 Drawing Sheets**

(56)

**References Cited**

U.S. PATENT DOCUMENTS

1,221,447	A	4/1917	Henderson	
1,436,957	A	11/1922	Harvey	
2,770,827	A *	11/1956	Brandenburg	A46B 11/063 401/291
2,895,487	A	7/1959	Hazzard	
D240,167	S *	6/1976	Rinaldi	D28/35
4,114,222	A *	9/1978	Serediuk	A46B 3/08 132/151
D280,954	S *	10/1985	Rittenhouse	D28/24
4,593,708	A	6/1986	Goeller et al.	
4,625,738	A	12/1986	Skovdal et al.	
D317,083	S *	5/1991	Chou	D4/115
5,865,188	A *	2/1999	Marquez	A45D 2/001 132/132
6,047,707	A	4/2000	Johnson	
6,070,596	A *	6/2000	Altamore	A45D 1/04 132/224
D455,905	S *	4/2002	McCurrach	D28/10
D457,730	S *	5/2002	McCurrach	D28/10
D474,343	S *	5/2003	Cammarano	D4/120
6,935,350	B2 *	8/2005	Nakamura	A45D 20/525 132/144

D509,363	S	9/2005	Kampel et al.	
D557,863	S *	12/2007	Tukulj-Popovic	D28/35
7,526,829	B2 *	5/2009	Chang	A46B 17/06 132/119
D601,807	S *	10/2009	Choi	D4/114
D638,221	S	5/2011	Liao et al.	
D643,974	S *	8/2011	Renault	D28/35
D649,288	S *	11/2011	Koehler	D28/35
D650,130	S *	12/2011	Hein	D28/35
D650,941	S *	12/2011	Sidebotham	D28/35
8,220,100	B2	7/2012	Diamond	
D665,947	S *	8/2012	Bachmann	D28/35
D672,087	S *	12/2012	Julemont	D28/35
D716,496	S *	10/2014	Fung	D28/35
D735,477	S *	8/2015	Anderson	D4/116
9,516,938	B2 *	12/2016	Richmond	A45D 20/10
D776,345	S *	1/2017	Tang	D28/13
D785,243	S *	4/2017	Zhang	D28/35
D787,122	S *	5/2017	Chen	D28/35
D791,408	S *	7/2017	Brady	D28/35
D795,595	S *	8/2017	Exley	D4/121
2007/0169787	A1	7/2007	Kim	
2008/0283081	A1 *	11/2008	Habibi	A45D 1/04 132/224
2015/0135455	A1 *	5/2015	Reusche	A46B 9/06 15/160
2015/0289620	A1 *	10/2015	Nuzzo	A45D 2/002 132/211
2016/0095424	A1 *	4/2016	Sommer	A46B 9/023 15/160
2016/0157593	A1 *	6/2016	Sze	A46B 3/005 15/160

FOREIGN PATENT DOCUMENTS

JP	2004089266	A	3/2004
JP	2010252991	A	11/2010

OTHER PUBLICATIONS

Web pages printout from <http://www.aliexpress.com> for "Professional Hair Straighten Comb Hair Dressing Tool Duplex Brush Hair Straightening Combs Care Clamp of DIY Hair-Styling Tools," dated Jan. 20, 2016, (6 pages).

\* cited by examiner

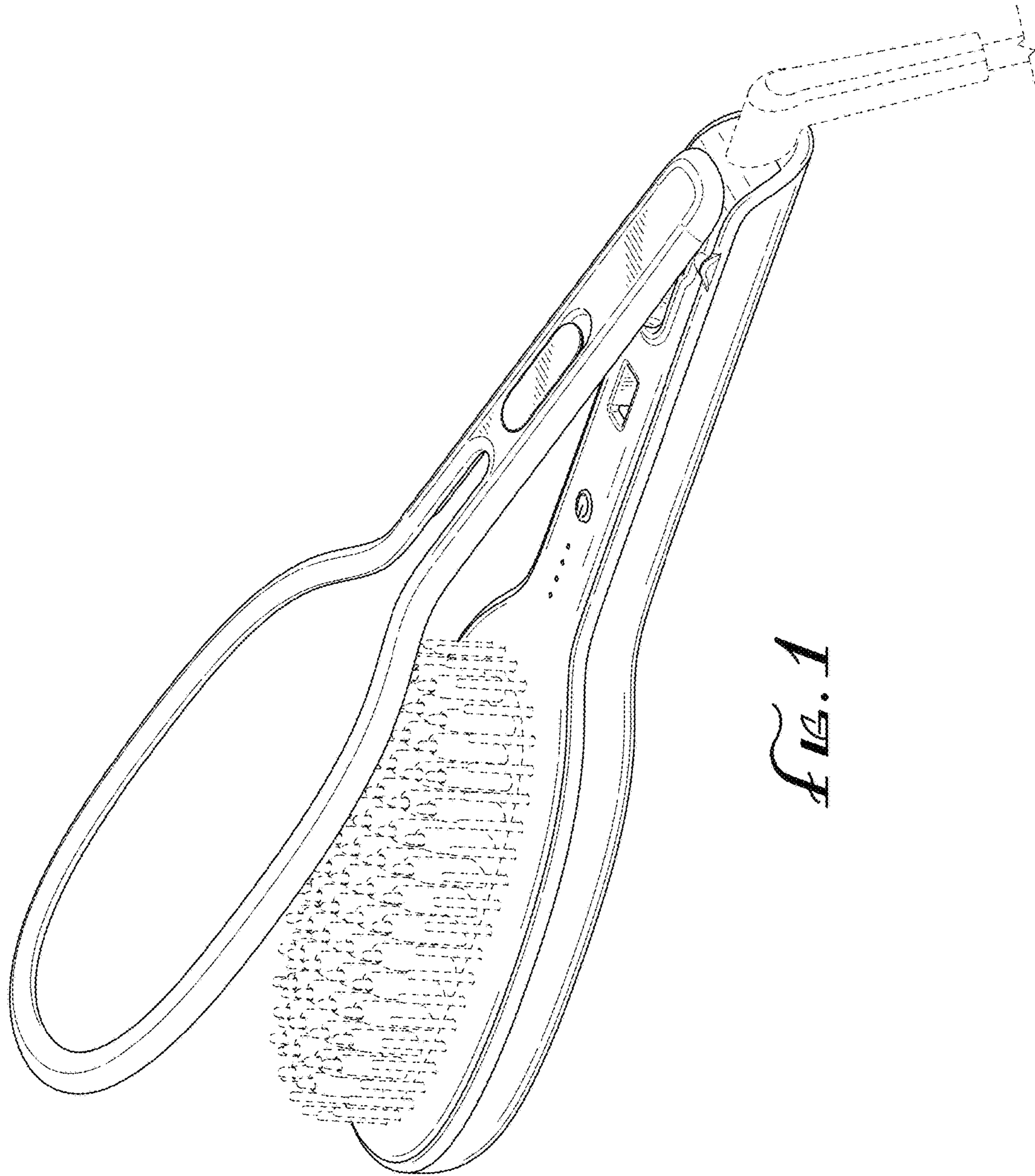


FIG. 1

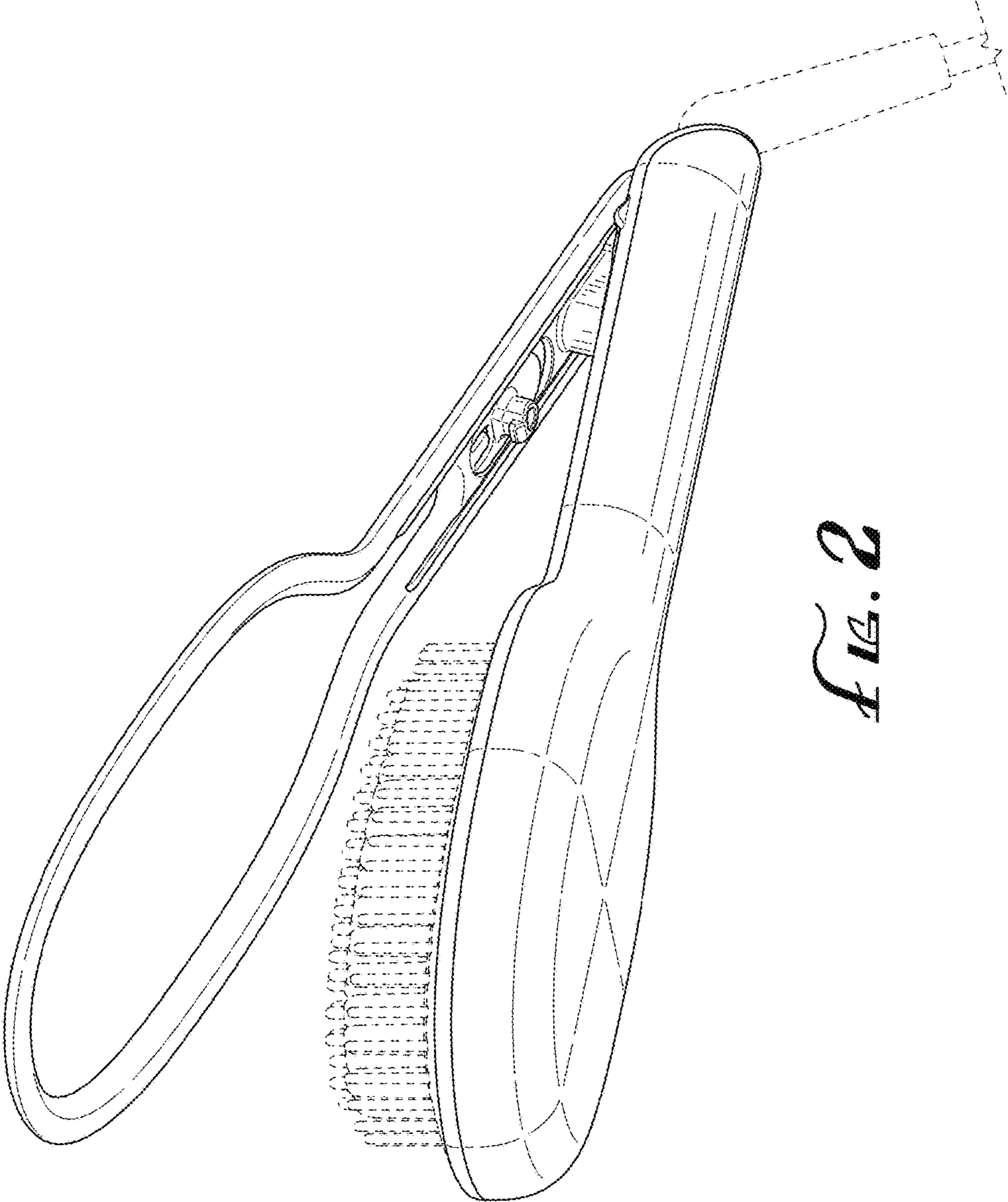


FIG. 2

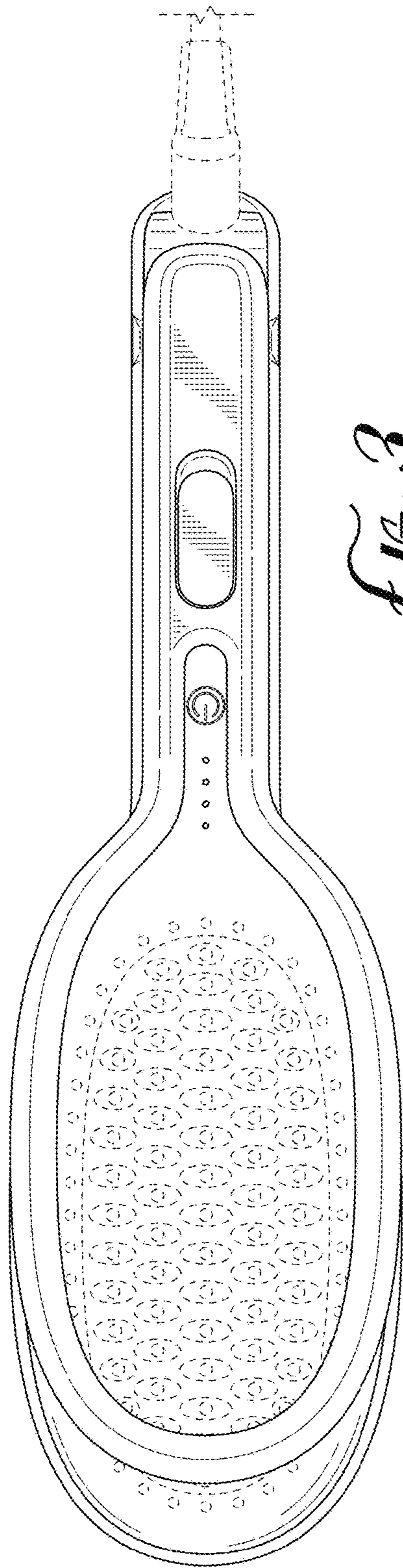


FIG. 3

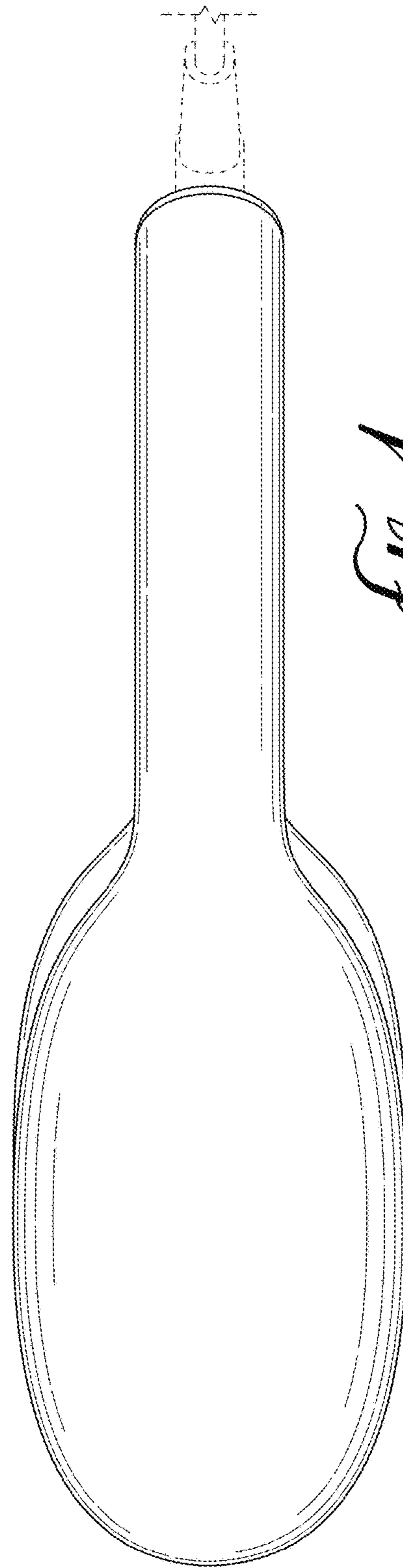


FIG. 4

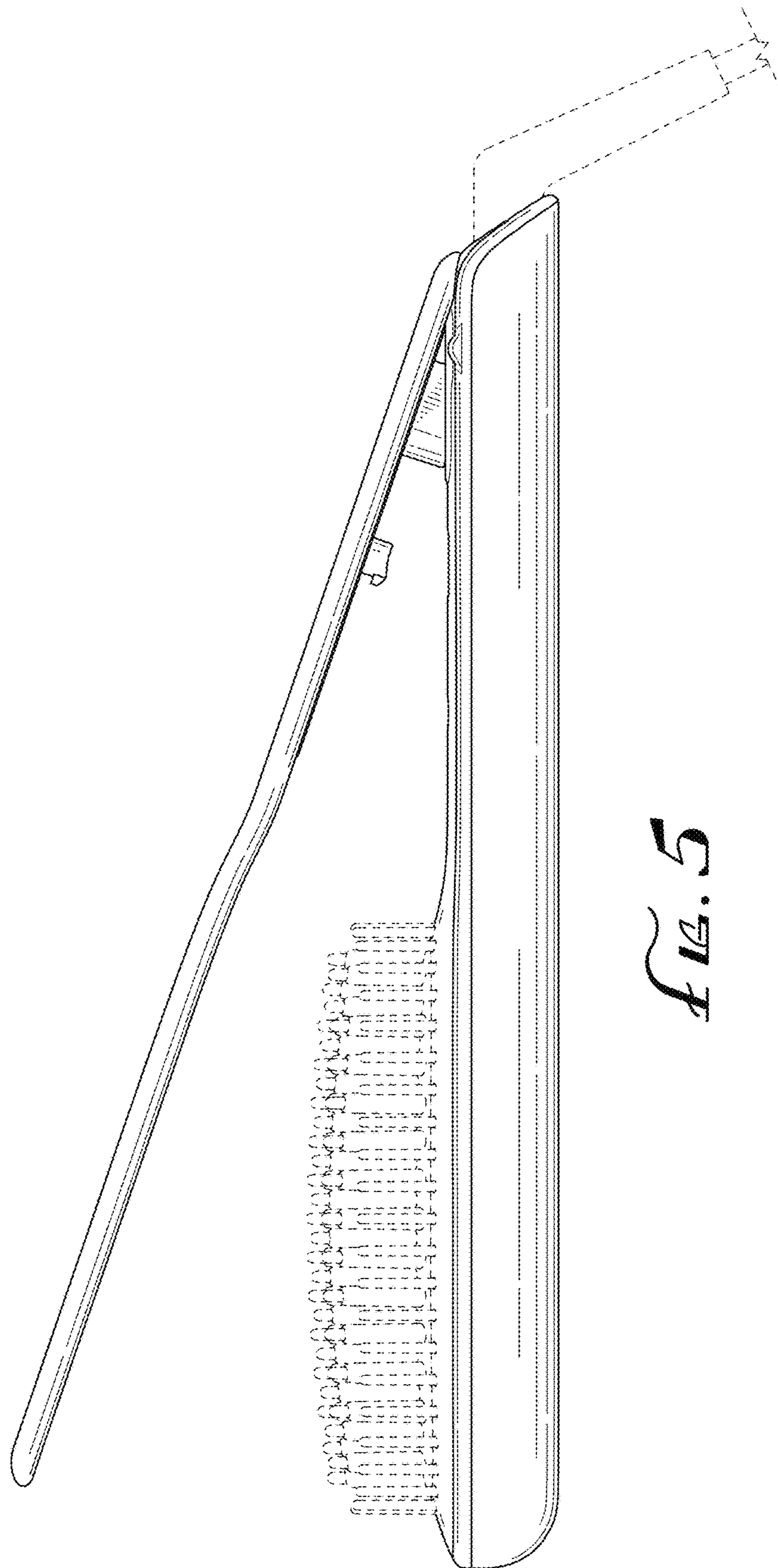


FIG. 5

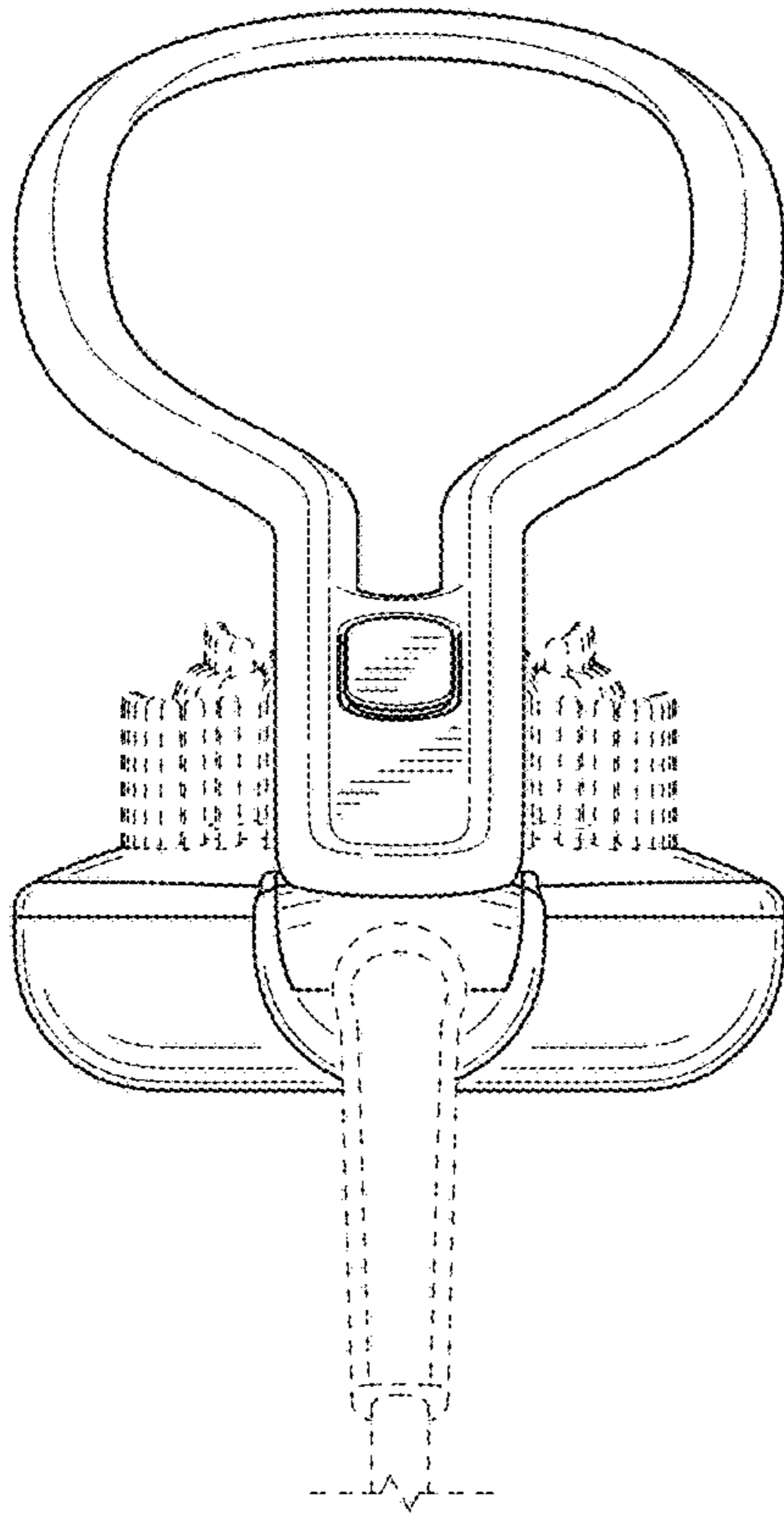


FIG. 6

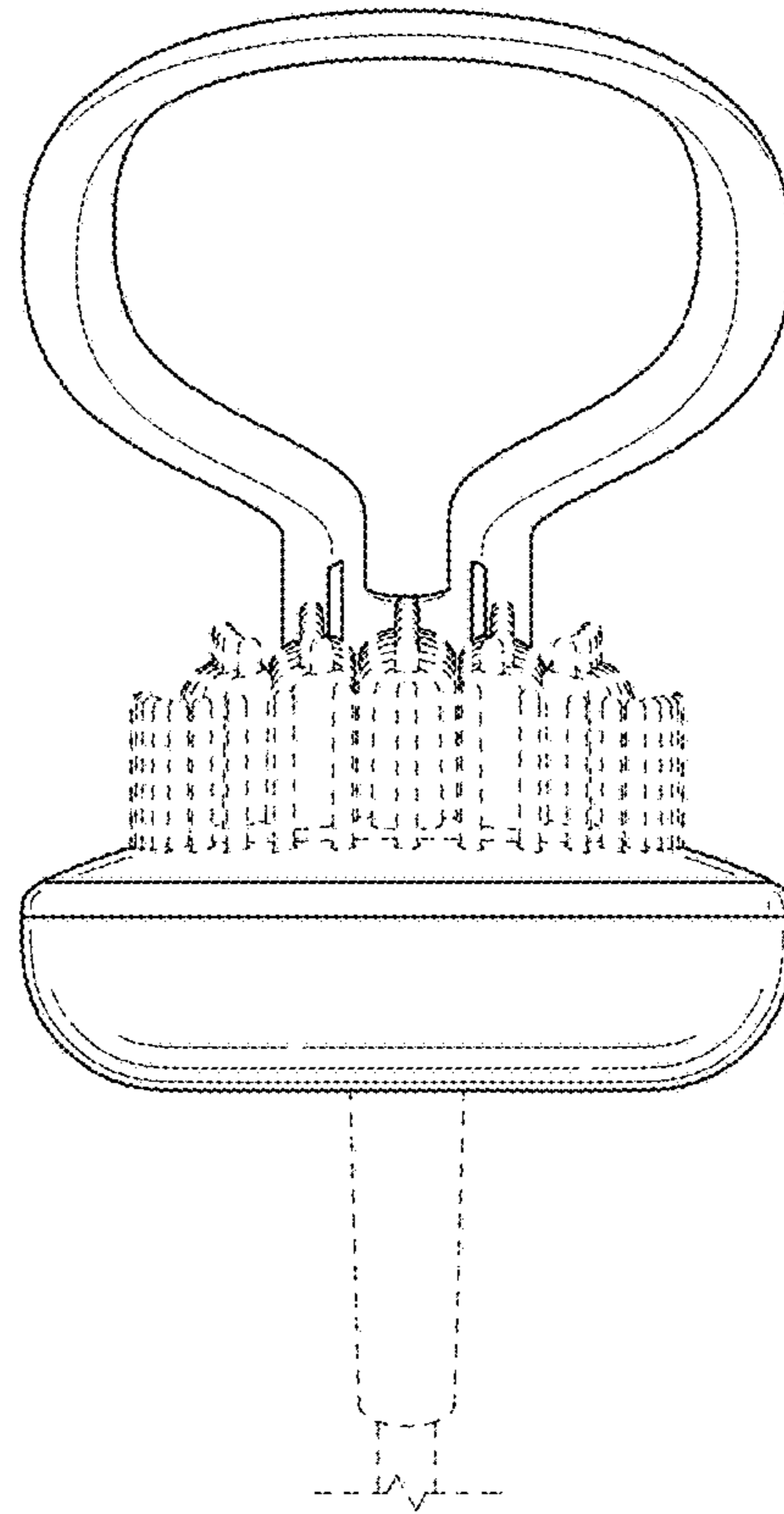


FIG. 7

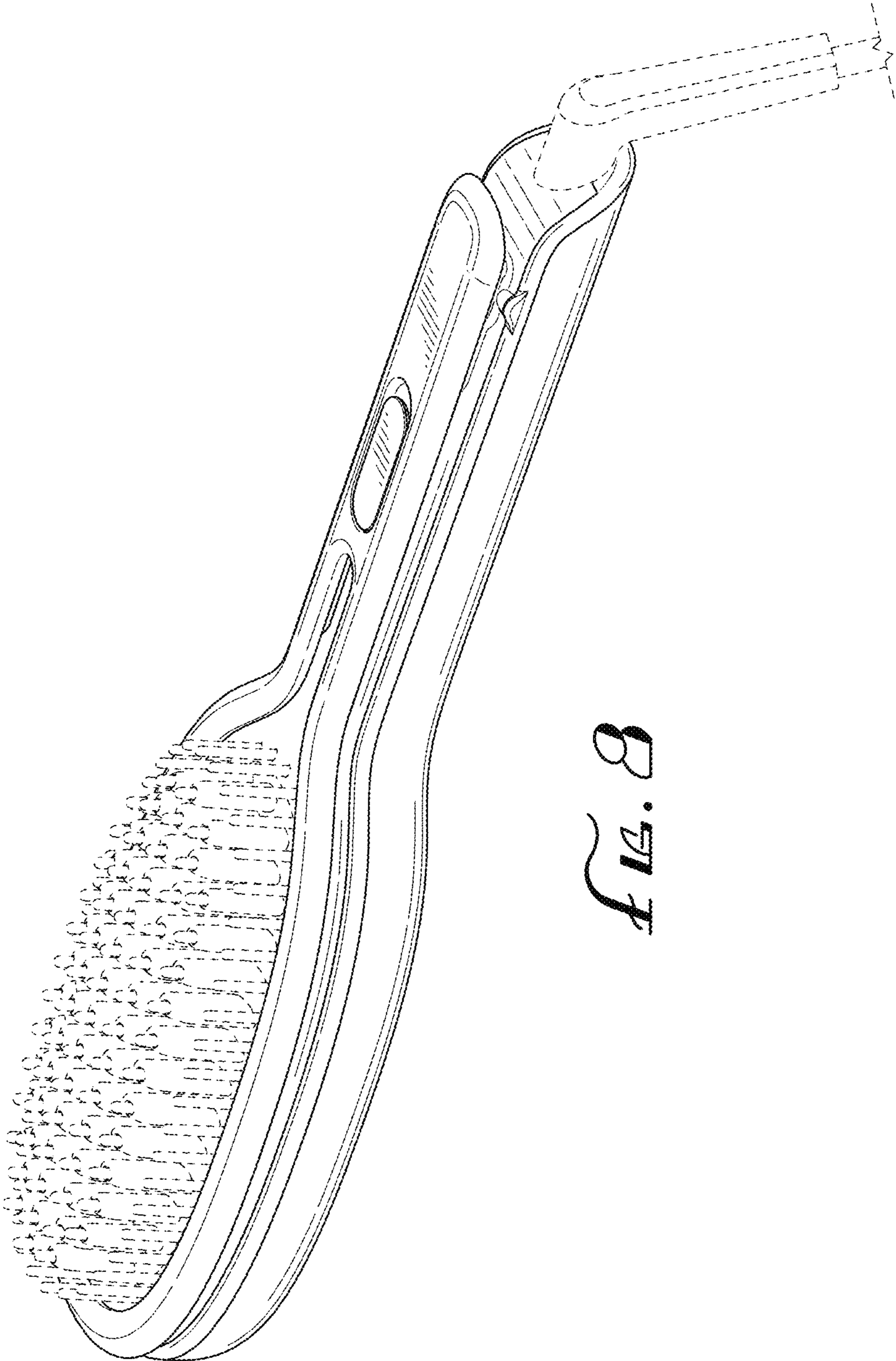


Fig. 8



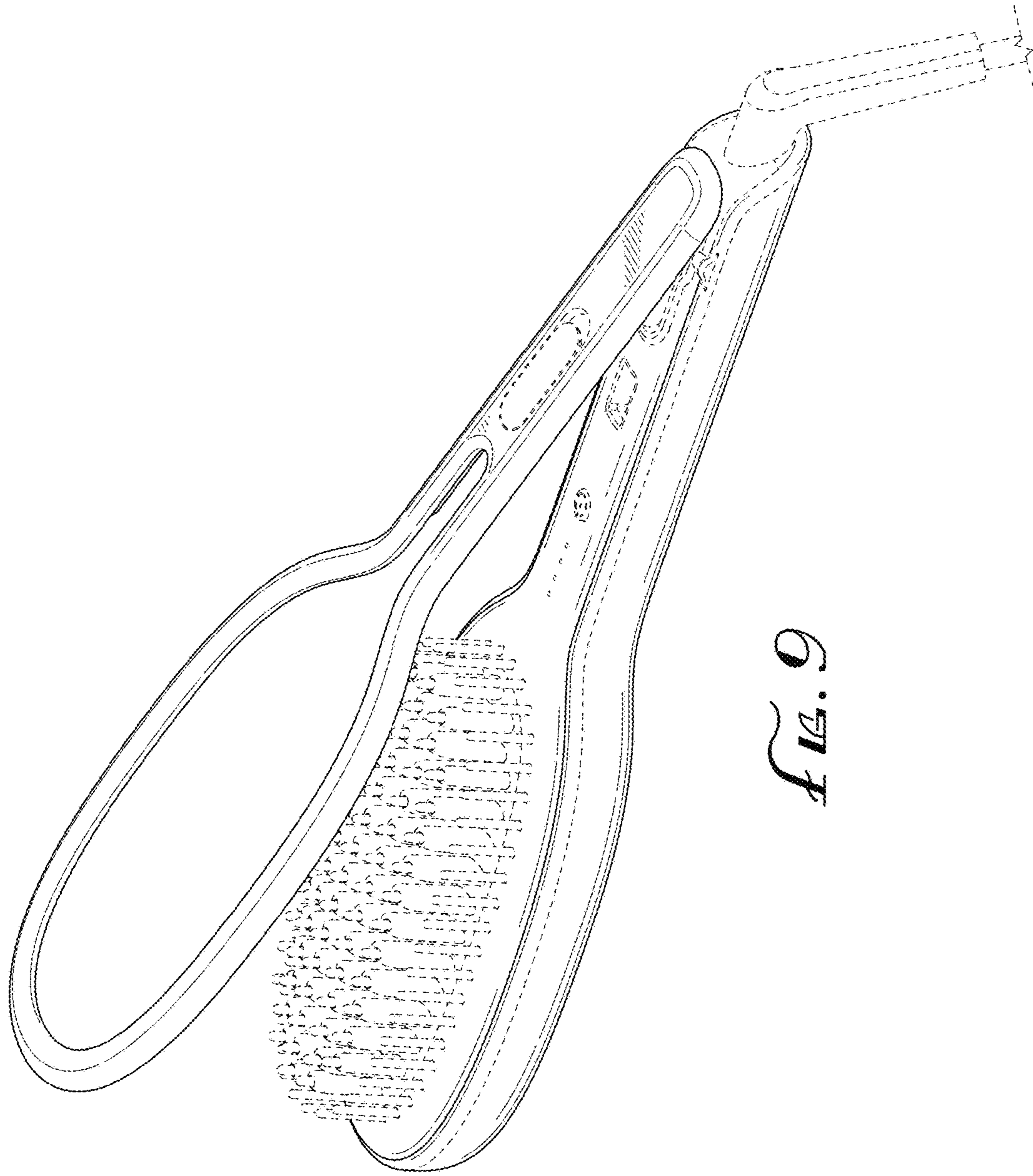


FIG. 9

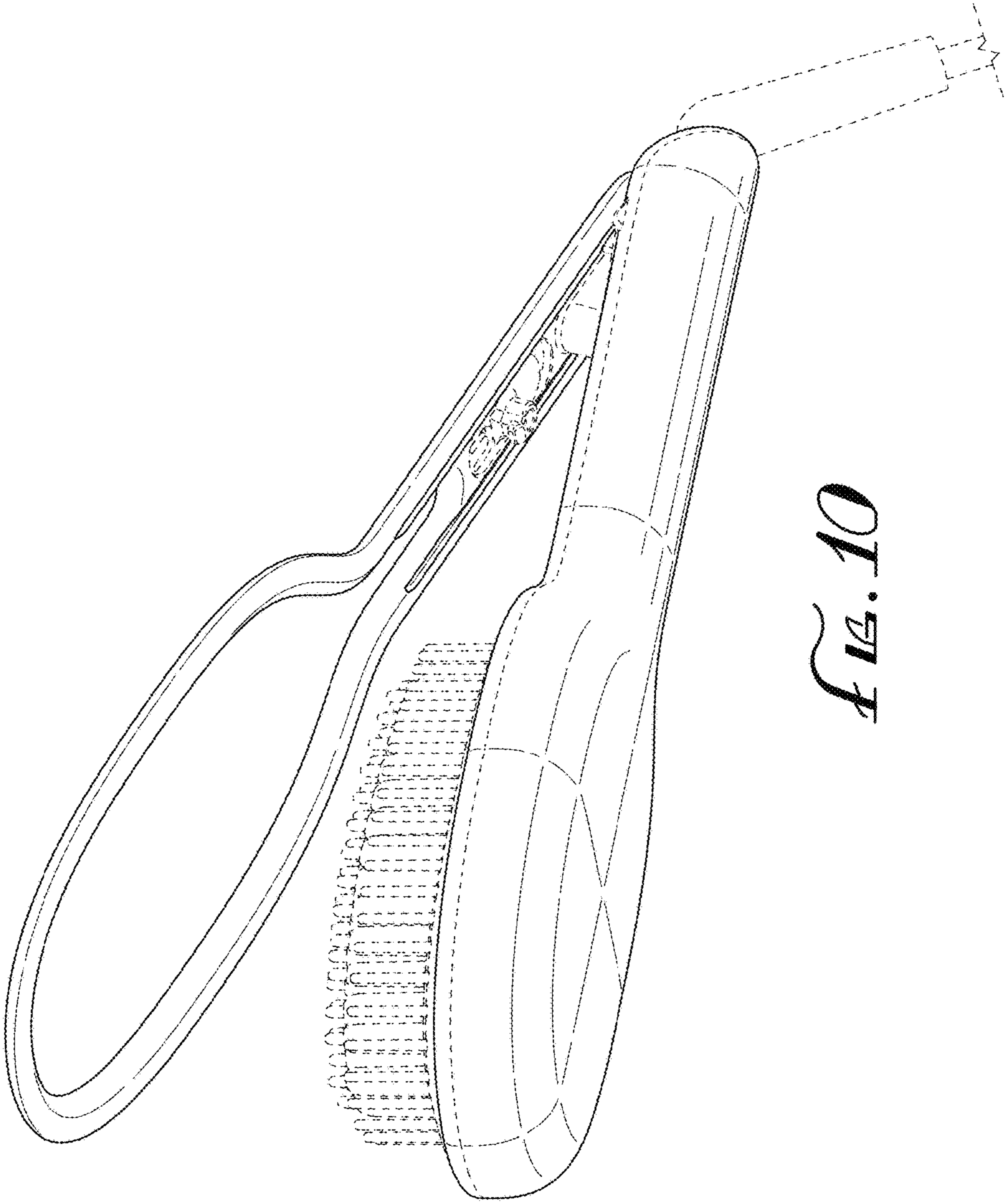
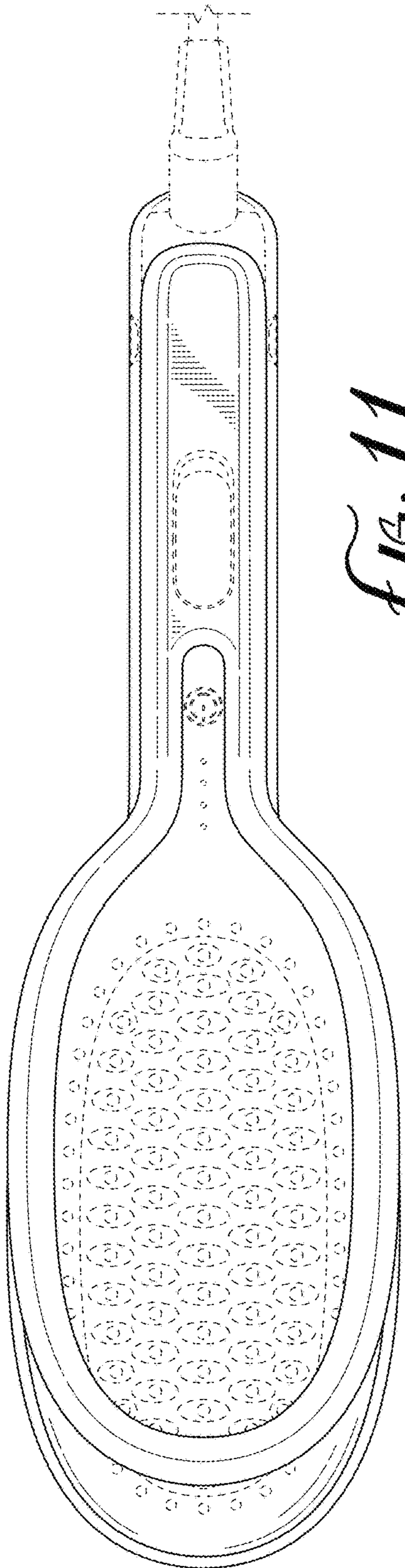
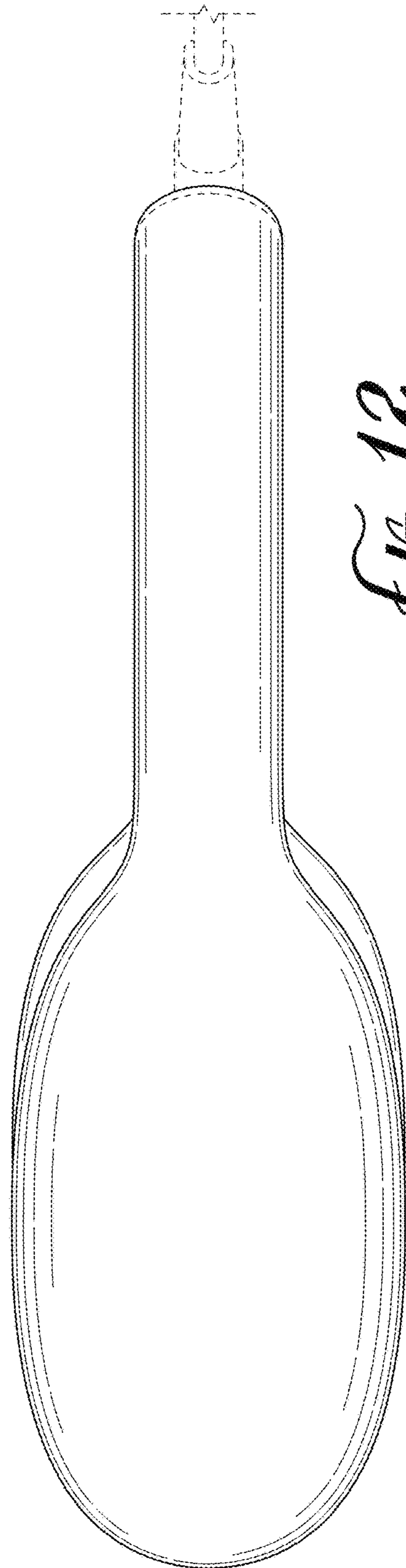


FIG. 10



*FIG. 11*



*FIG. 12*

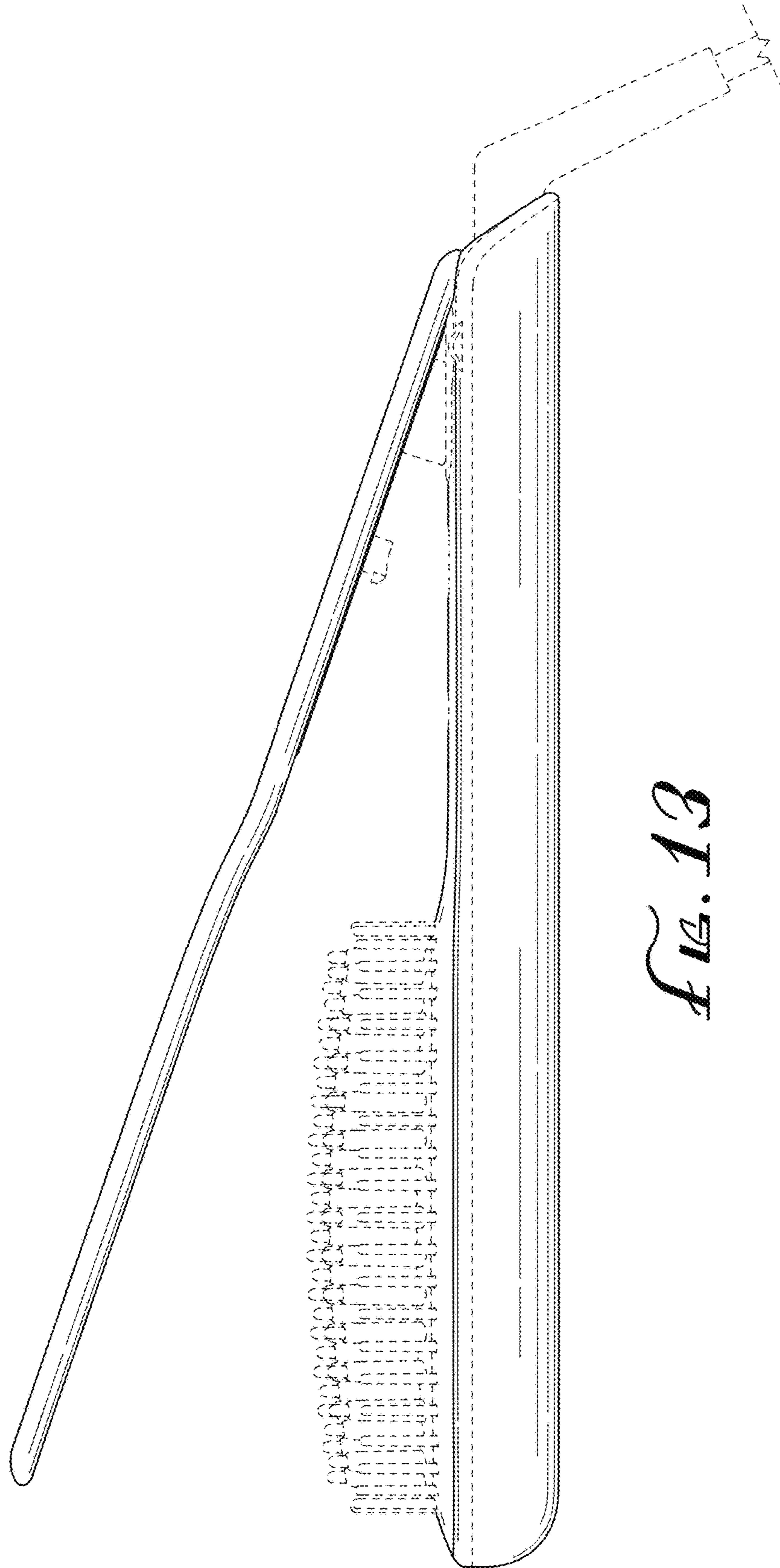
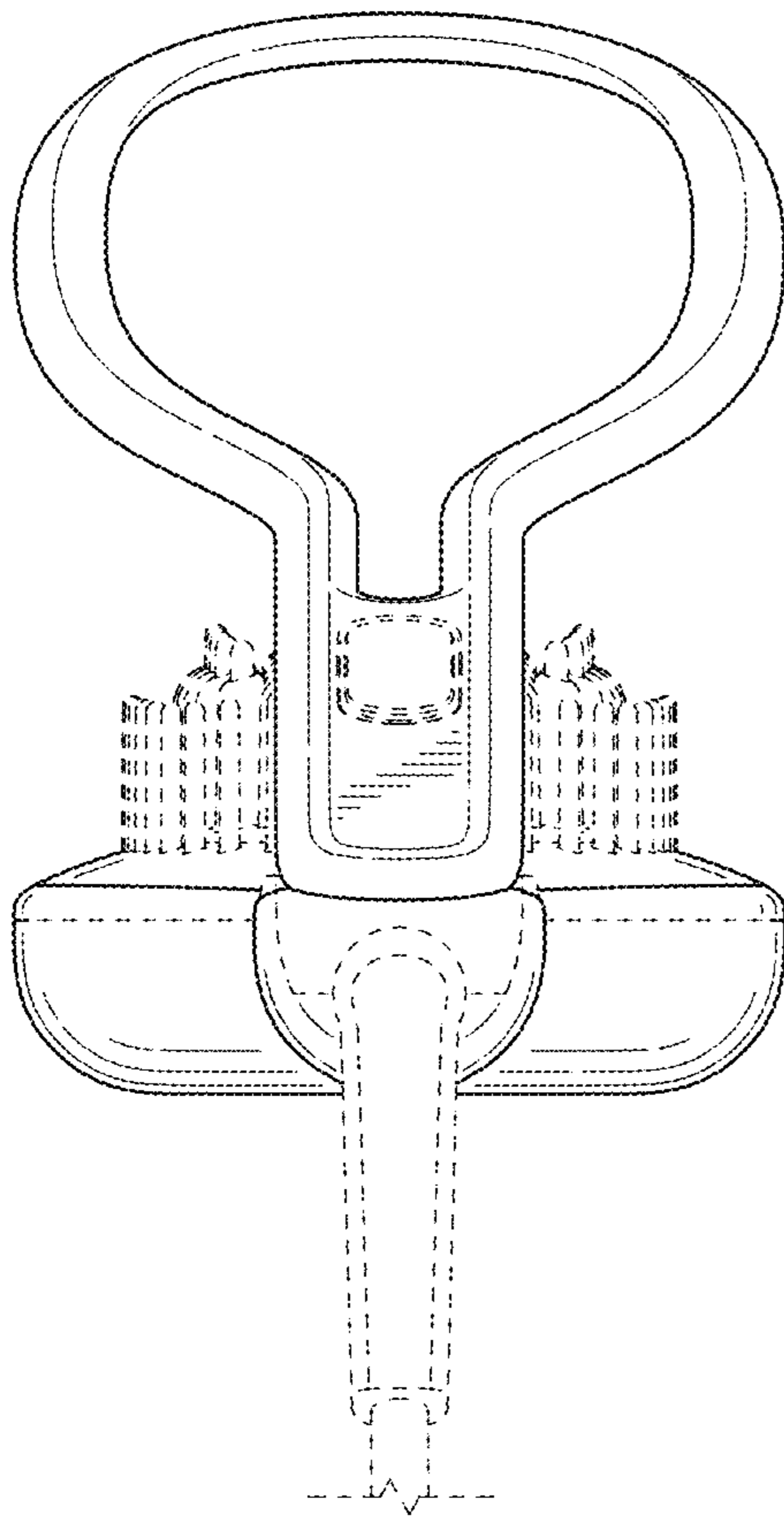
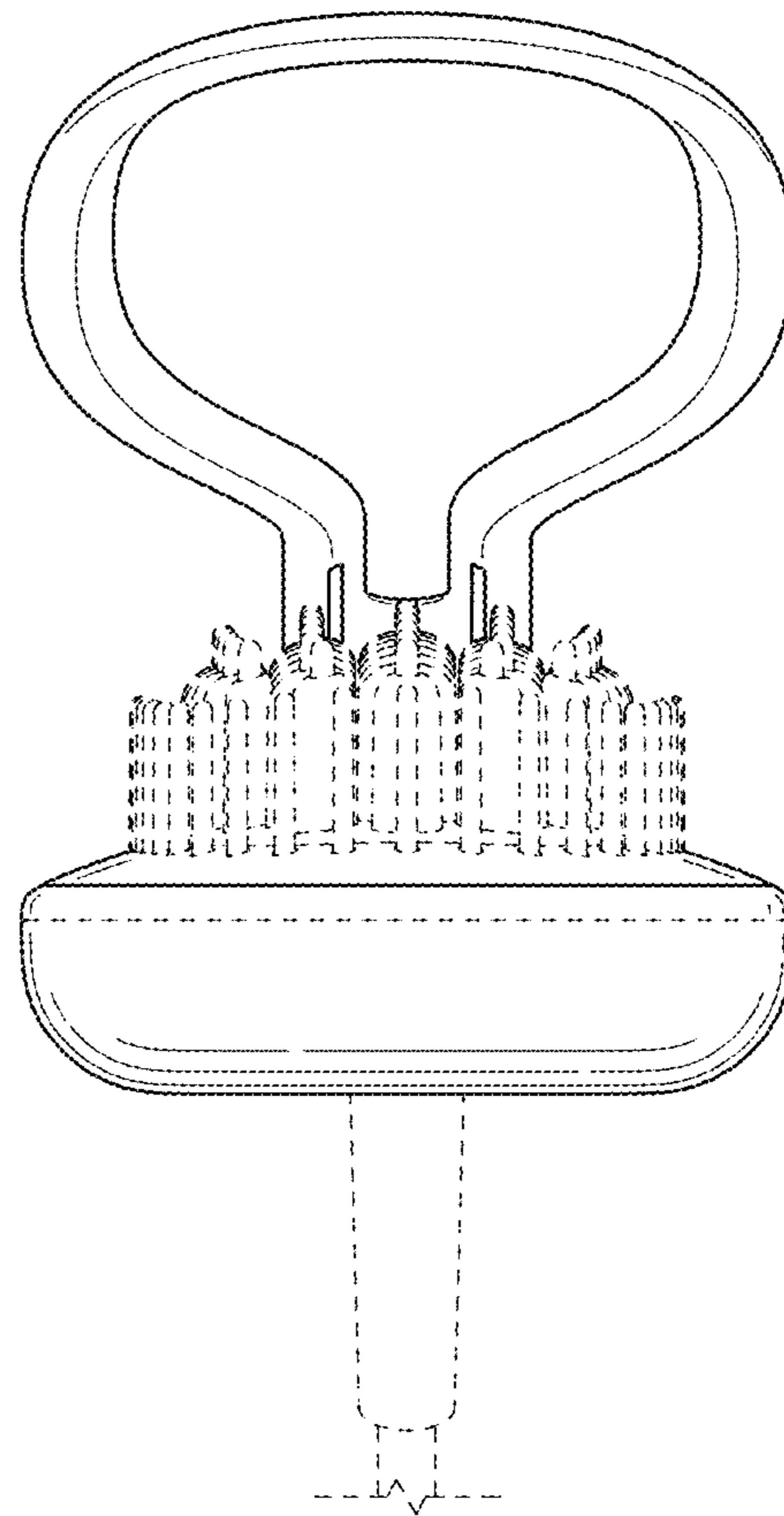


FIG. 13



*FIG. 14*



*FIG. 15*

