



US00D824170S

(12) **United States Design Patent** (10) **Patent No.:** **US D824,170 S**
Tobias (45) **Date of Patent:** **** *Jul. 31, 2018**

(54) **BRIEFCASE** 2,316,328 A * 4/1943 Guenther A45C 3/02
190/103
(71) Applicant: **PUSERS IP HOLDINGS LTD.,** D329,330 S * 9/1992 Pardo D3/290
Tortola (VG) 5,211,716 A * 5/1993 Tobias A45C 3/02
150/108
(72) Inventor: **Charles Tobias,** Tortola (VG) D415,893 S 11/1999 Inbert
D416,681 S * 11/1999 Imbert D3/290
D422,410 S 4/2000 Bischoff
(73) Assignee: **PUSERS IP HOLDINGS LTD.,** Road 6,237,766 B1 5/2001 Hollingsworth
Town, Tortola (VG) (Continued)

(*) Notice: This patent is subject to a terminal disclaimer.
(**) Term: **15 Years**
(21) Appl. No.: **29/611,984**
(22) Filed: **Jul. 27, 2017**

Related U.S. Application Data

(63) Continuation-in-part of application No. 29/561,472, filed on Apr. 15, 2016, now Pat. No. Des. 804,820.
(51) **LOC (11) Cl.** **03-01**
(52) **U.S. Cl.**
USPC **D3/283; D3/301; D3/900**
(58) **Field of Classification Search**
USPC D3/274, 273, 276, 283, 284, 285, 287,
D3/288, 289, 290, 905, 203.1, 203.6, 205,
D3/215, 243, 244, 299, 902, 267, 900
CPC A45C 3/04; A45C 5/005; A45C 2005/10;
A45C 2007/0004; A45C 7/0036; A45C
2009/007; A45C 9/00; A45C 2011/003;
A45C 11/20; A45C 3/02
See application file for complete search history.

References Cited

(56) **U.S. PATENT DOCUMENTS**
296,993 A * 4/1884 Mofly B65D 85/48
190/107
1,727,954 A * 9/1929 Beehler A45C 3/02
190/102
2,047,914 A 7/1936 Lifton

OTHER PUBLICATIONS

Bluefly, "Salvatore Ferragamo Black Textured Calfskin 'revival' Accordion Briefcase" Accessed Feb. 1, 2017. (<http://www.bluefly.com/salvatore-ferragamo-black-textured-calfskin-revival-accordion-briefcase/p/375958>).

Primary Examiner — Jennifer Rivard
Assistant Examiner — April Rivas
(74) *Attorney, Agent, or Firm* — Birch, Stewart, Kolasch & Birch, LLP

CLAIM

(57) The ornamental design for a briefcase, as shown and described.

DESCRIPTION

FIG. 1 is a front perspective view of a briefcase showing my new design;
FIG. 2 is a rear perspective view thereof;
FIG. 3 is a front elevational view thereof with the closure flap in an open position;
FIG. 4 is a front elevational view thereof with the closure flap in a closed configuration;
FIG. 5 is a rear elevational thereof;
FIG. 6 is a left side elevational view thereof, the right side being a mirror image thereof;
FIG. 7 is a top plan view thereof; and,
FIG. 8 is a bottom plan view thereof.
The broken lines representing stitching are part of the claimed design.

1 Claim, 7 Drawing Sheets



(56)

References Cited

U.S. PATENT DOCUMENTS

D456,135	S	4/2002	Shapiro	
D468,101	S	1/2003	Hassett	
D469,606	S *	2/2003	Su	D3/276
D472,386	S *	4/2003	Bauer	D3/276
D504,229	S *	4/2005	Duvigneau	D3/243
7,036,642	B2 *	5/2006	Hoberman	A45C 13/02 190/109
D530,091	S *	10/2006	Chang	D3/284
D535,101	S	1/2007	Suppangig	
D554,704	S *	11/2007	Krepak	D19/86
D650,989	S *	12/2011	Littleton	D3/299
D654,267	S *	2/2012	Littleton	D3/243
D672,959	S	12/2012	Denzinger	
D677,466	S	3/2013	Passavant	
D755,511	S	5/2016	Maier	
D759,970	S	6/2016	Dumas	
D761,564	S	7/2016	Rhodes	
D771,942	S	11/2016	Wu	
D775,825	S	1/2017	Chehebar et al.	
D795,571	S *	8/2017	Nair	D3/243
2012/0240521	A1	9/2012	Johnson	
2015/0359307	A1	12/2015	Kandel	

* cited by examiner



FIG. 1

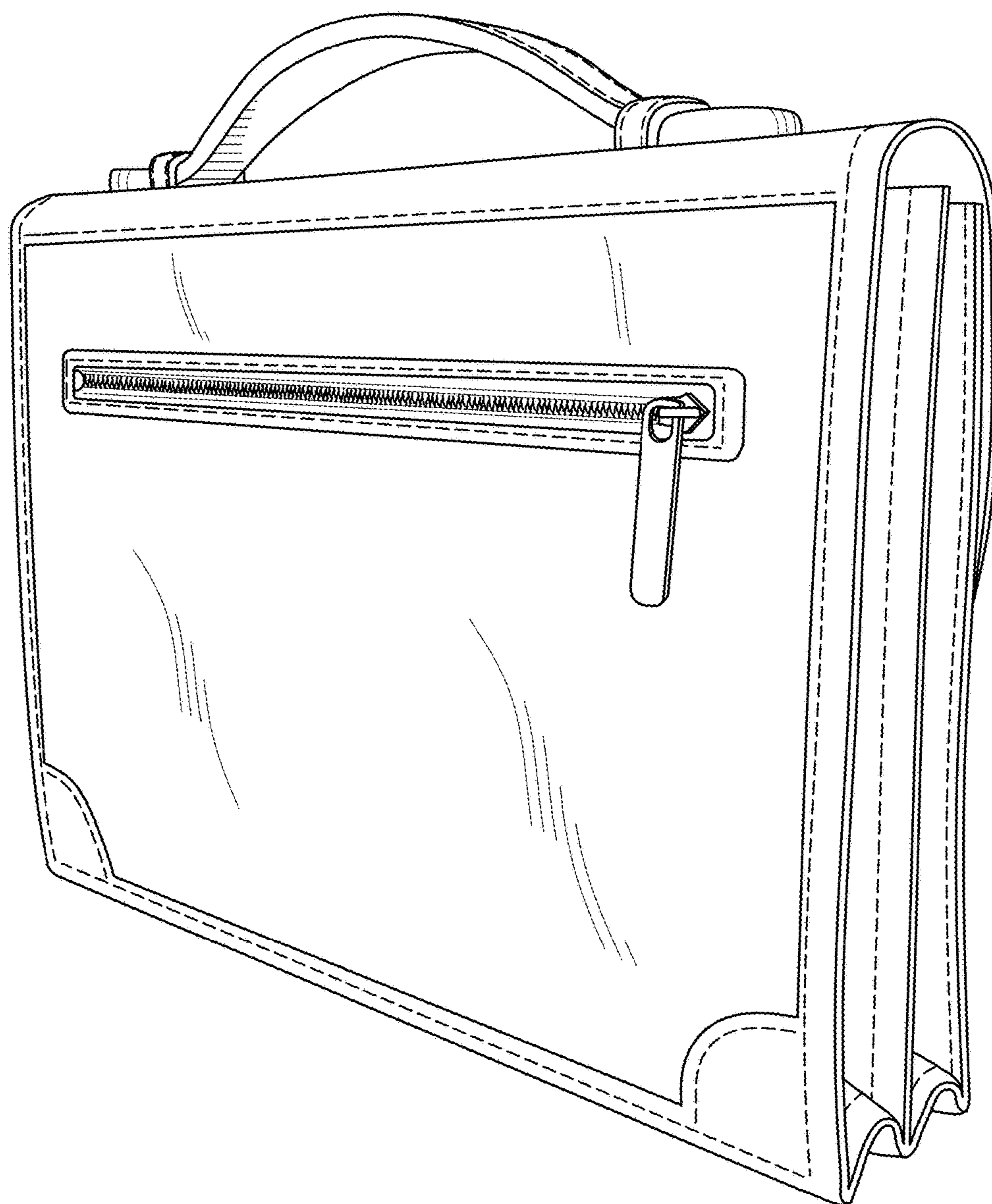


FIG. 2

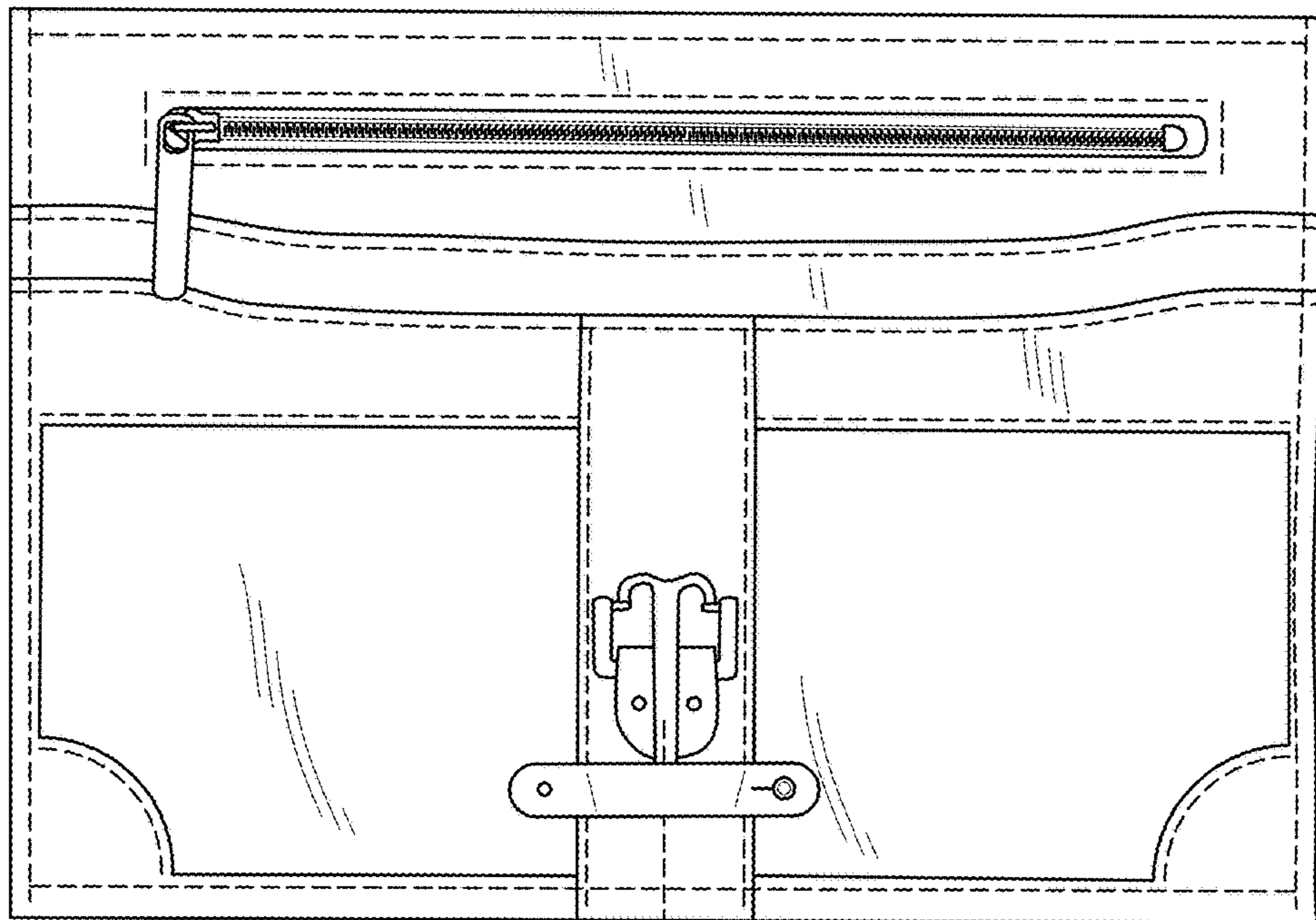


FIG. 3

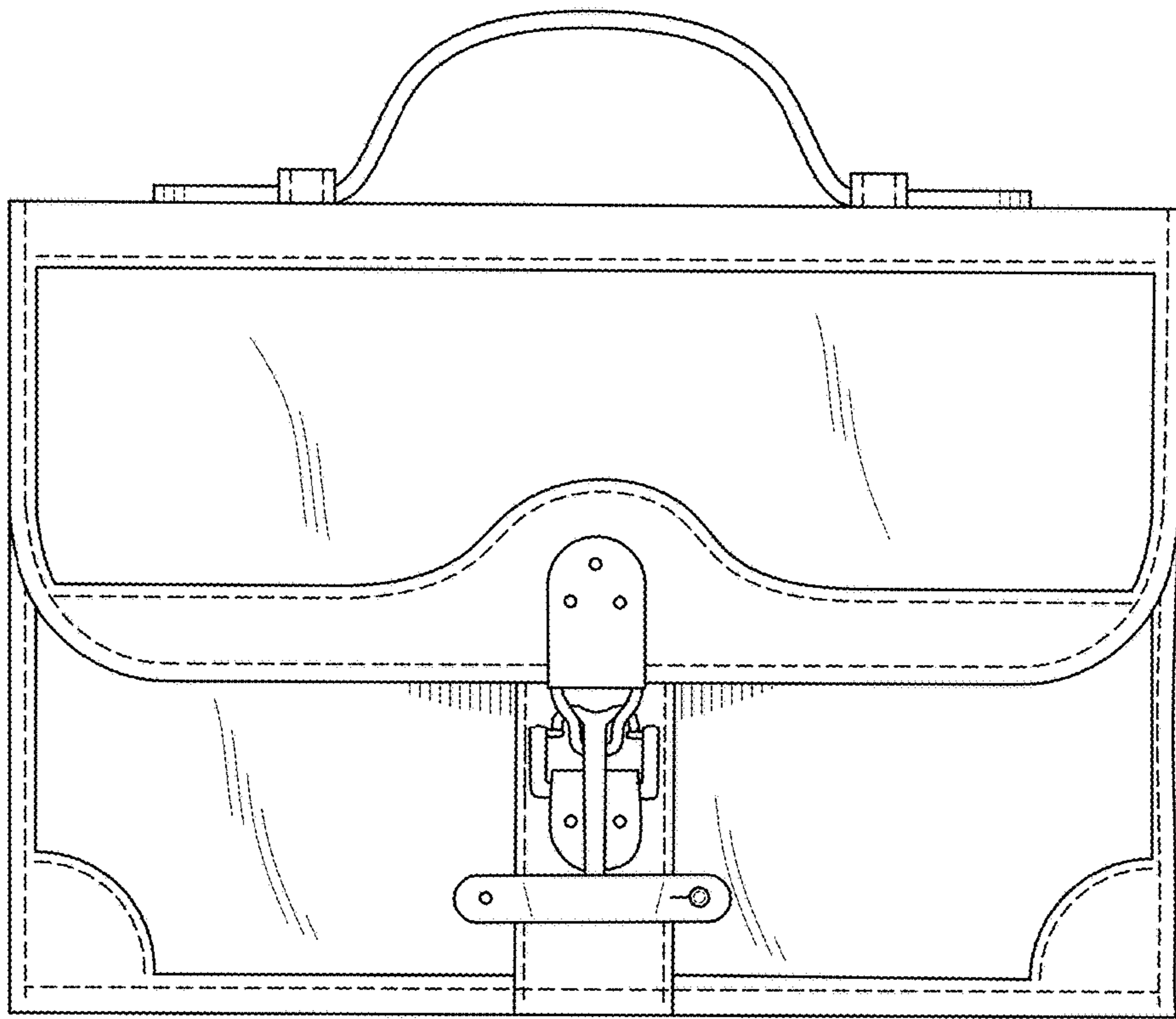


FIG. 4

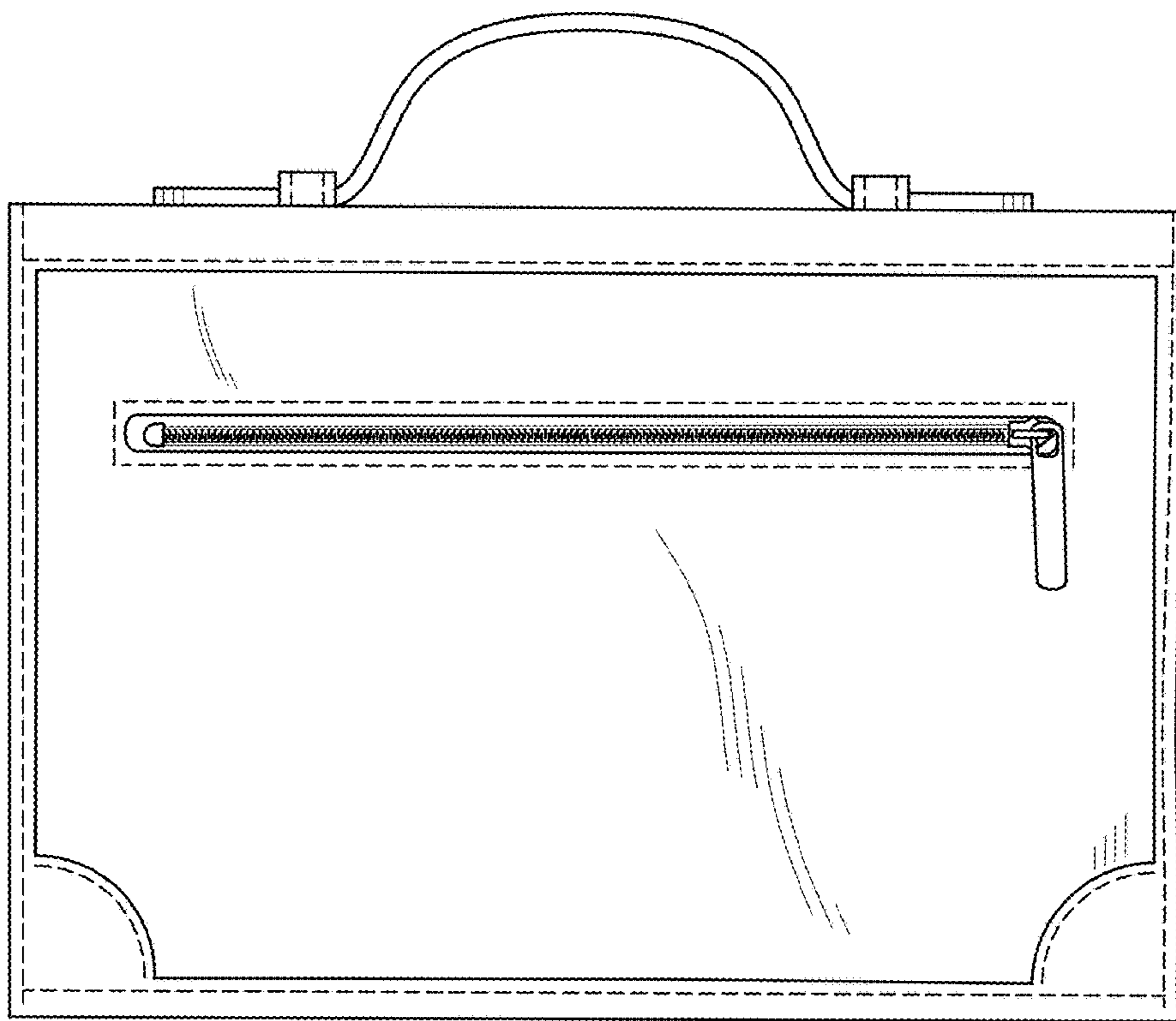


FIG. 5

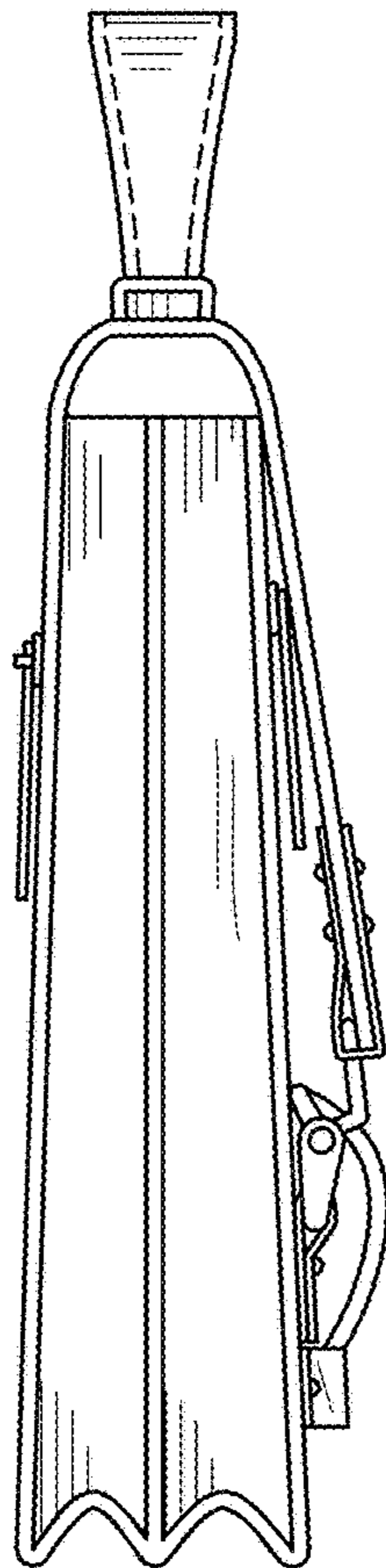


FIG. 6

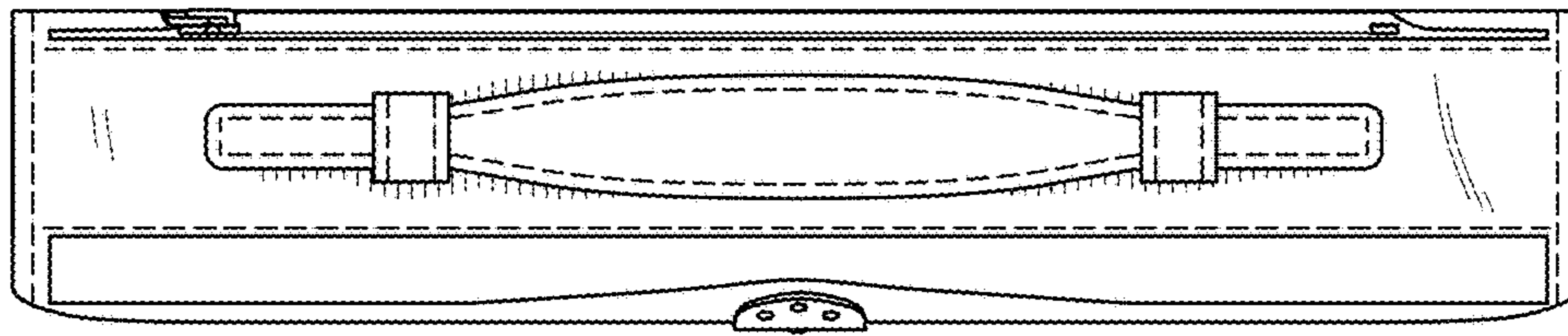


FIG. 7

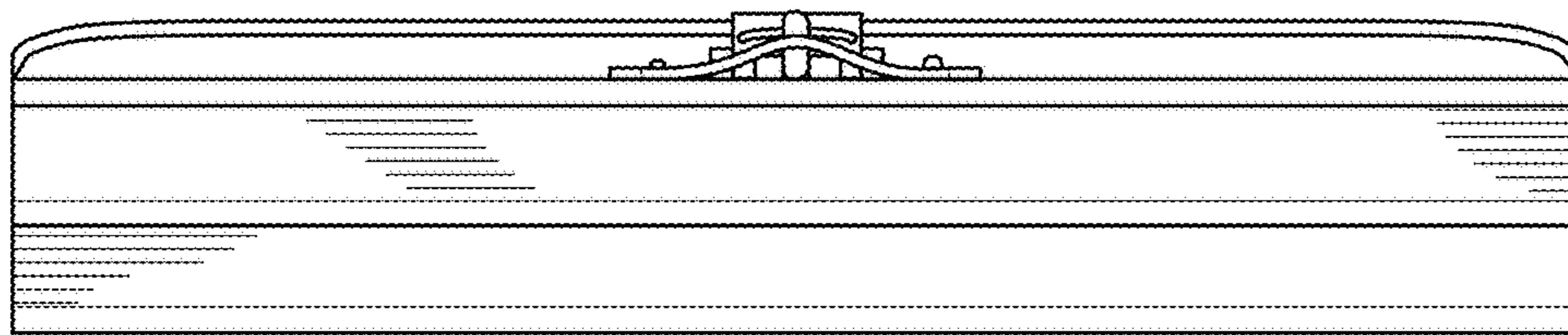


FIG. 8