



US00D824166S

(12) **United States Design Patent** (10) **Patent No.:** **US D824,166 S**  
**Sevi** (45) **Date of Patent:** **\*\* Jul. 31, 2018**

(54) **PHONE WALLET CASE**

FOREIGN PATENT DOCUMENTS

(71) Applicant: **MAGNUS INDUSTRIAL ART ERA INC., Port Moody (CA)**

CN 202375316 8/2012  
CN 202618662 12/2012  
CN 202979067 6/2013

(72) Inventor: **Bonaventure Joel Sevi, Port Moody (CA)**

(Continued)

(73) Assignee: **MAGNUS INDUSTRIAL ART ERA, INC. (CA)**

OTHER PUBLICATIONS

Canadian Office Action dated Jul. 5, 2016.

(\*\*) Term: **15 Years**

*Primary Examiner* — Holly H Baynham

(21) Appl. No.: **29/597,227**

(74) *Attorney, Agent, or Firm* — Ryan T. Grace; Advent, LLP

(22) Filed: **Mar. 15, 2017**

(57) **CLAIM**

(51) **LOC (11) Cl.** ..... **03-01**

The ornamental design for a phone wallet case, as shown and described.

(52) **U.S. Cl.**

**DESCRIPTION**

USPC ..... **D3/249**

(58) **Field of Classification Search**

USPC ..... D3/247, 249–253

CPC ..... A45C 11/00; A45C 2011/002; A45C 2011/003; A45C 1/06; A45C 3/08

See application file for complete search history.

FIG. 1 is a top plan view of a phone wallet case.

FIG. 2 is a bottom view of the phone wallet case of FIG. 1.

FIG. 3 is a front elevation view of the phone wallet case of FIG. 1.

FIG. 4 is a rear elevation view of the phone wallet case of FIG. 1.

FIG. 5 is a left side elevation view of the phone wallet case of FIG. 1.

FIG. 6 is a right side elevation view of the phone wallet case of FIG. 1.

FIG. 7 is an isometric view of the phone wallet case of FIG. 1.

FIG. 8 is another isometric view of the phone wallet case of FIG. 1; and,

FIG. 9 is a further isometric view of the phone wallet case of FIG. 1.

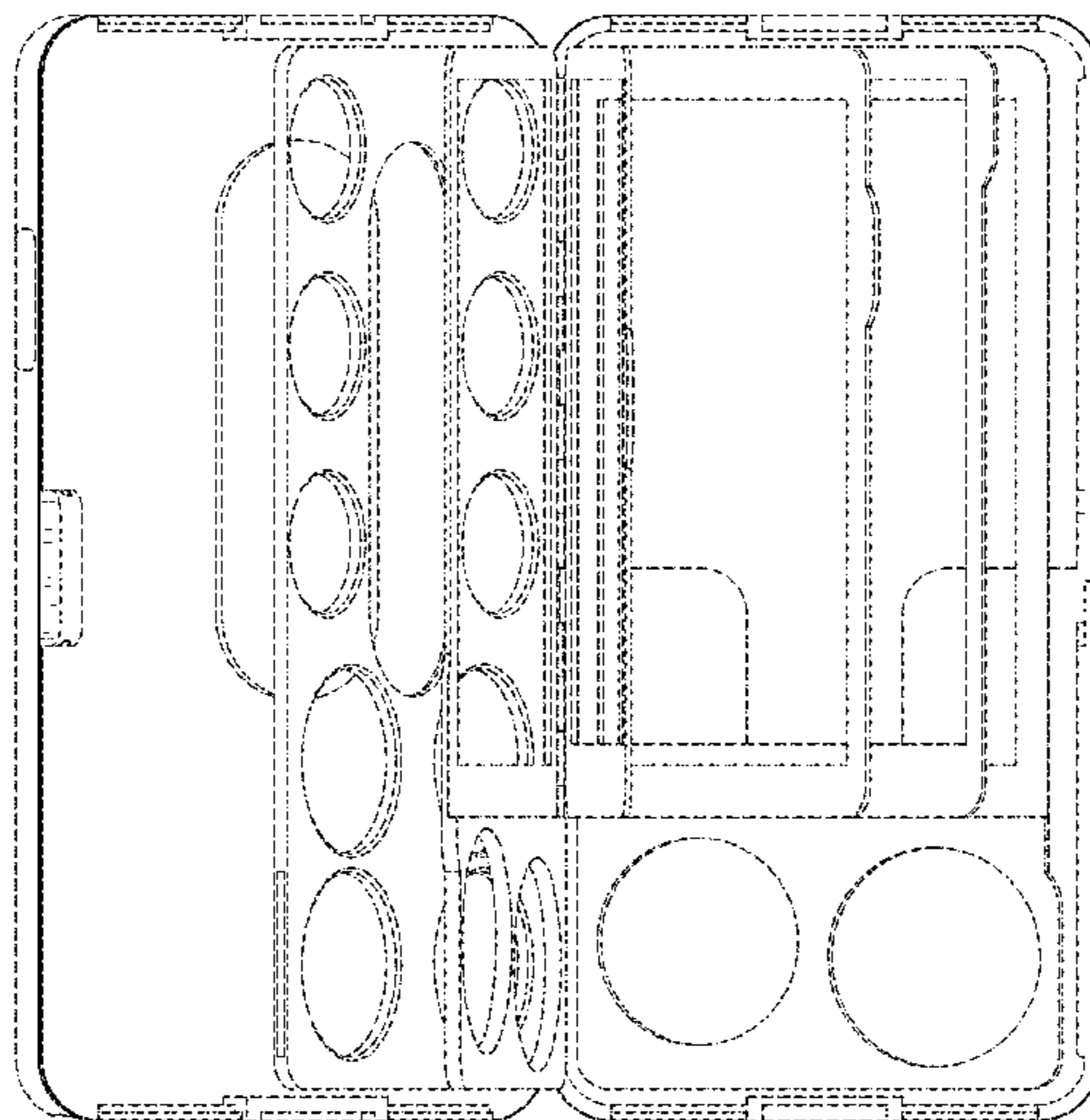
Portions of FIGS. 1 through 9 are shown in broken lines illustrating portions of the article that form no part of the claimed design.

(56) **References Cited**

U.S. PATENT DOCUMENTS

D528,302 S *	9/2006	Moon	.....	D3/318
D583,564 S *	12/2008	Wu	.....	D3/318
D637,398 S *	5/2011	Jiang	.....	D3/318
D651,803 S *	1/2012	Wu	.....	D3/318
D663,526 S *	7/2012	Wu	.....	A45C 13/262
				D3/318
D677,896 S *	3/2013	Wu	.....	D3/318
8,596,449 B2	12/2013	Mongan et al.		
D730,057 S *	5/2015	Tong	.....	D3/318
9,027,746 B2	5/2015	Smith		
9,031,623 B2	5/2015	Yoo		
D738,620 S *	9/2015	Schmole	.....	D3/249
D759,966 S *	6/2016	Pignotti	.....	D3/247
D767,888 S *	10/2016	Kim	.....	D3/249

**1 Claim, 9 Drawing Sheets**



(56)

**References Cited**

FOREIGN PATENT DOCUMENTS

CN	203194822	9/2013
CN	203278945	11/2013
CN	203302518	11/2013
CN	103607487	2/2014
CN	203446781	2/2014
CN	104038595	9/2014
CN	203969547	12/2014
CN	204181117	3/2015
CN	204245379	4/2015

\* cited by examiner

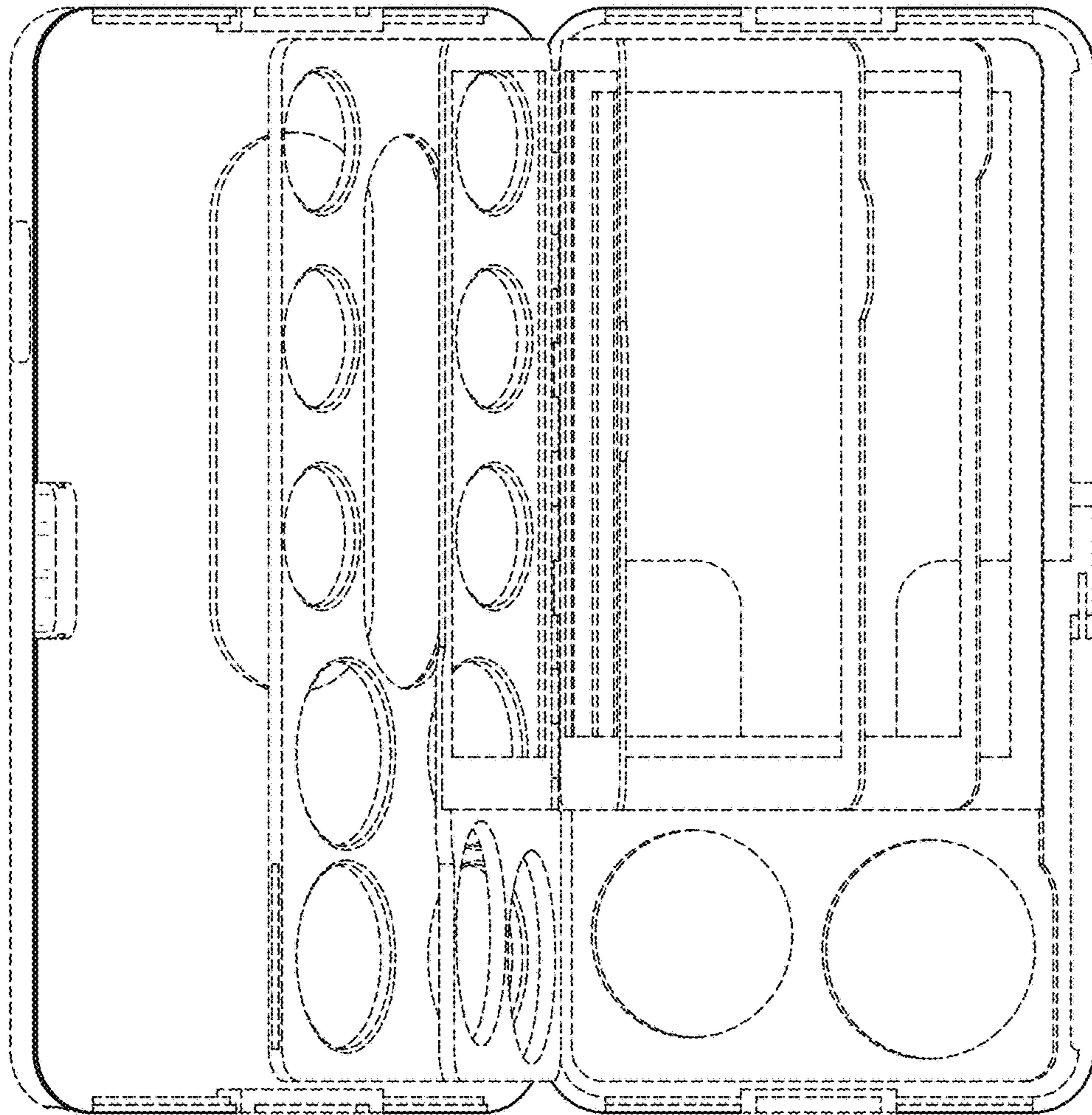


FIG. 1

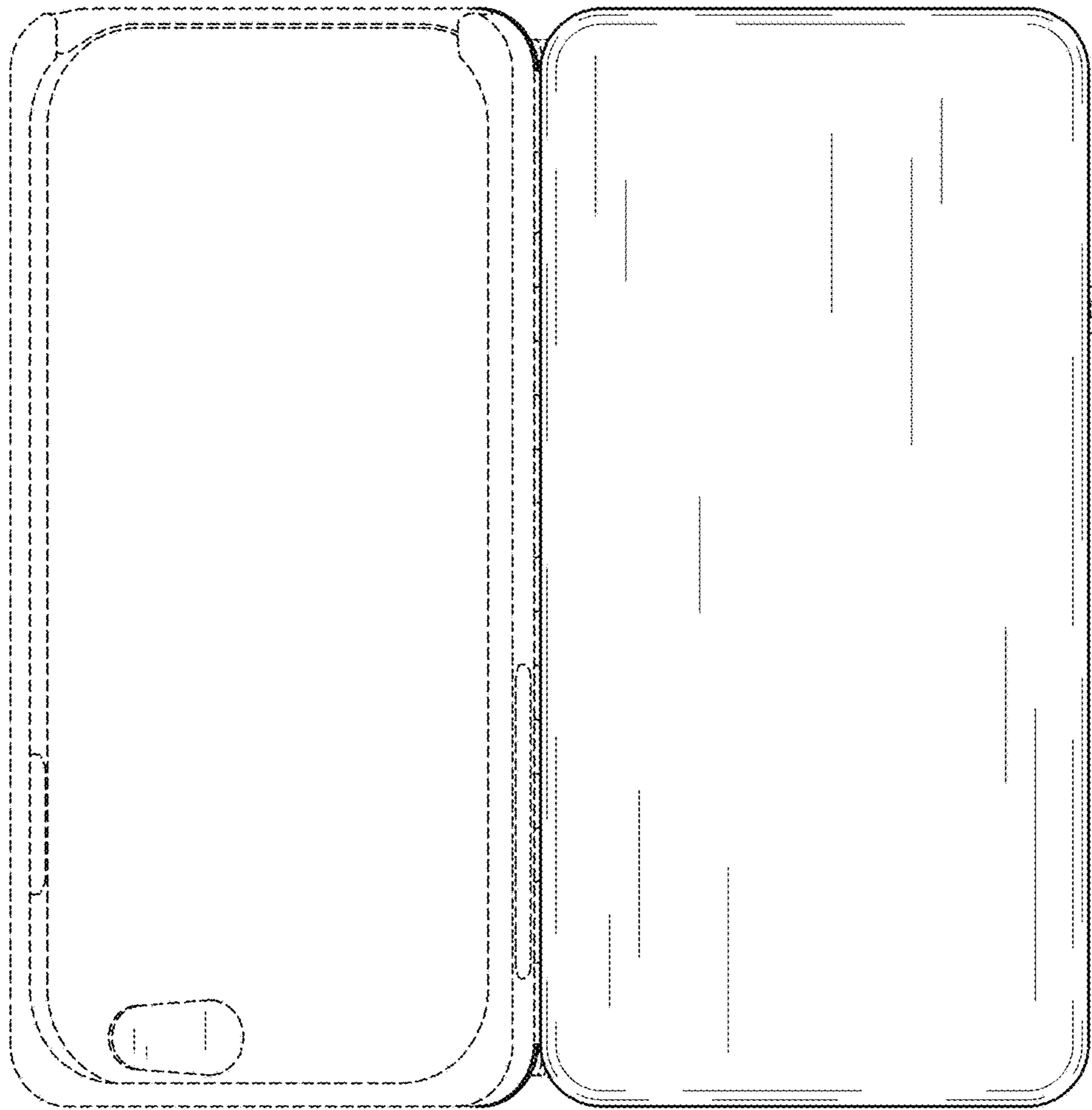


FIG. 2

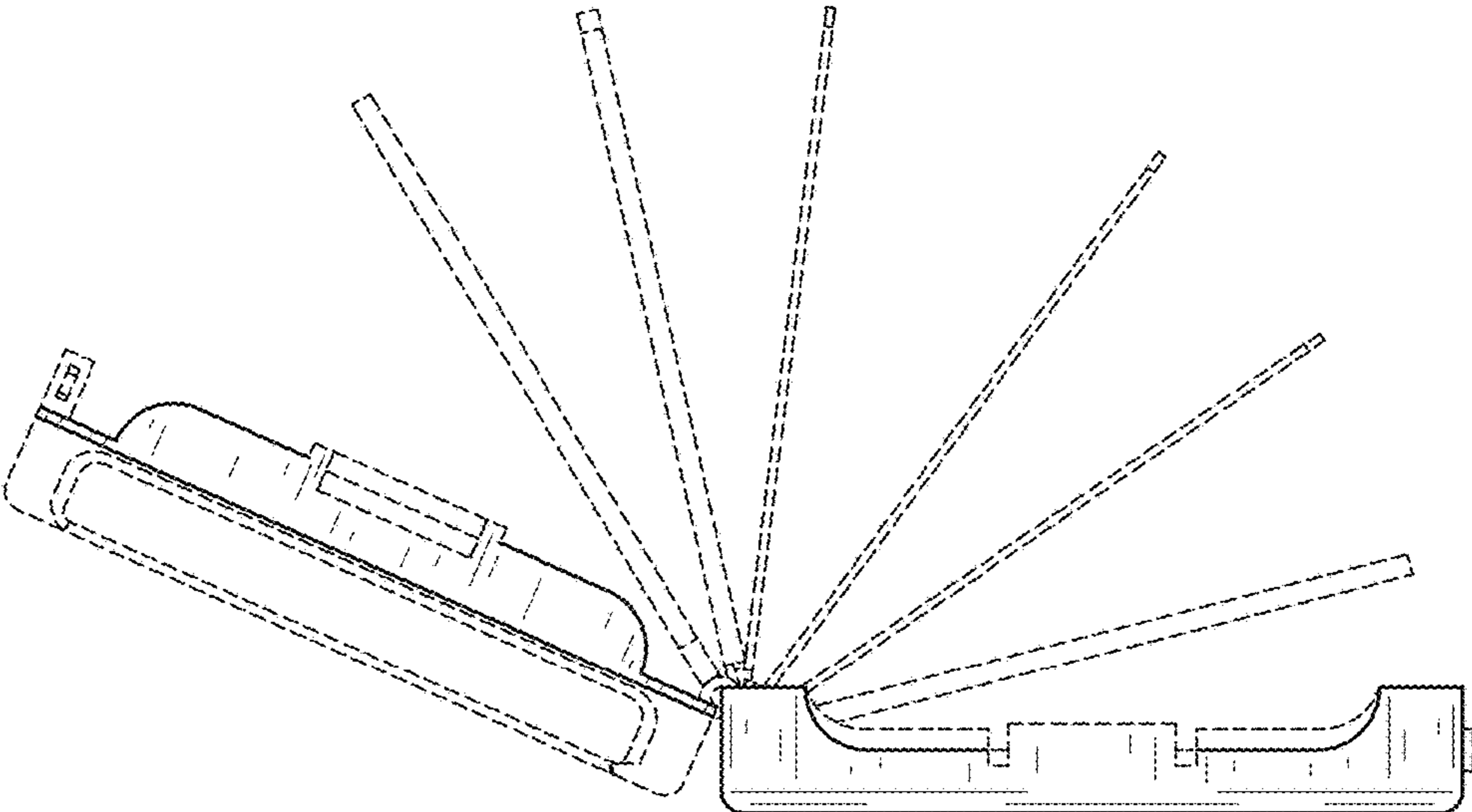


FIG. 3

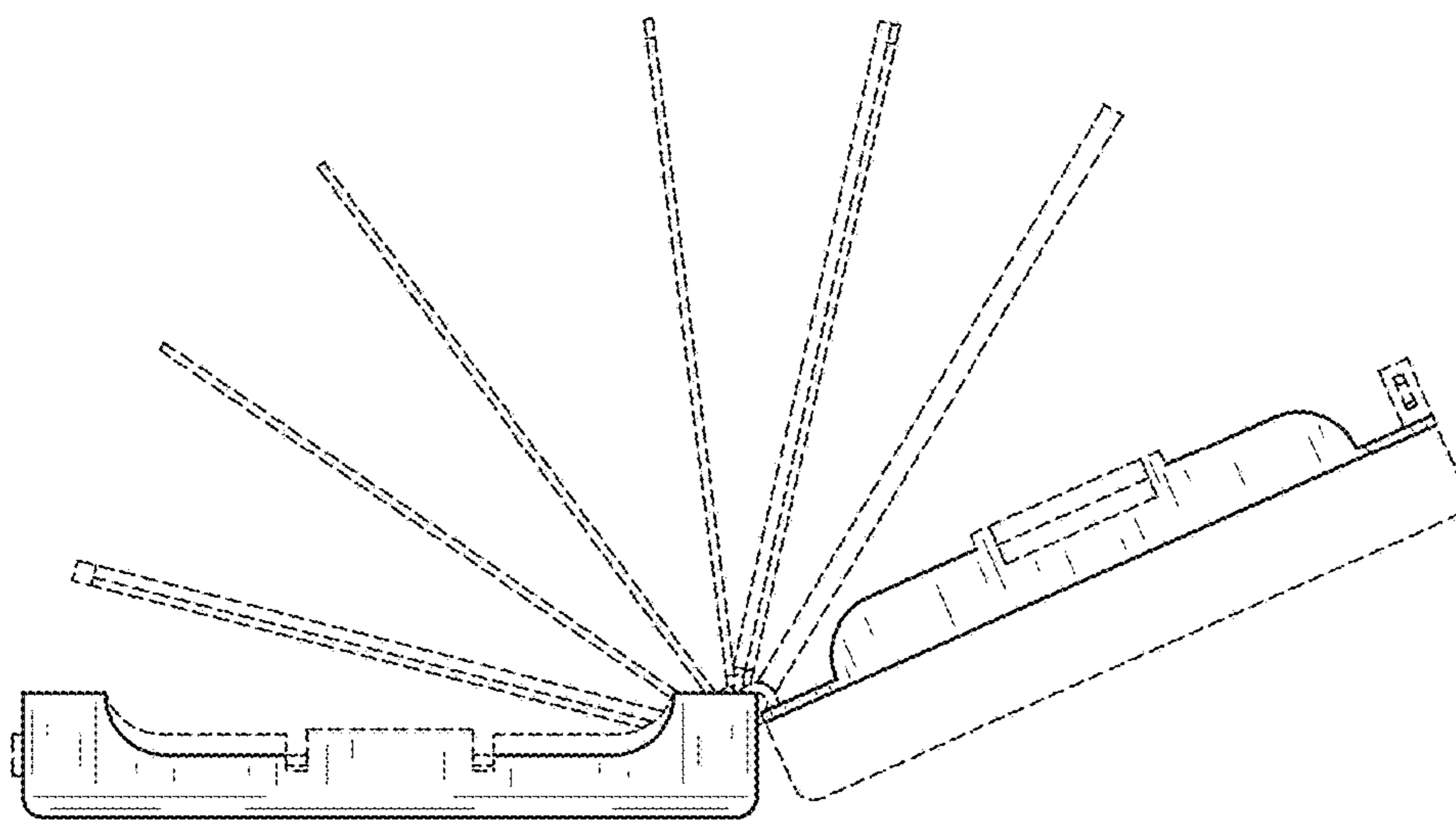


FIG. 4

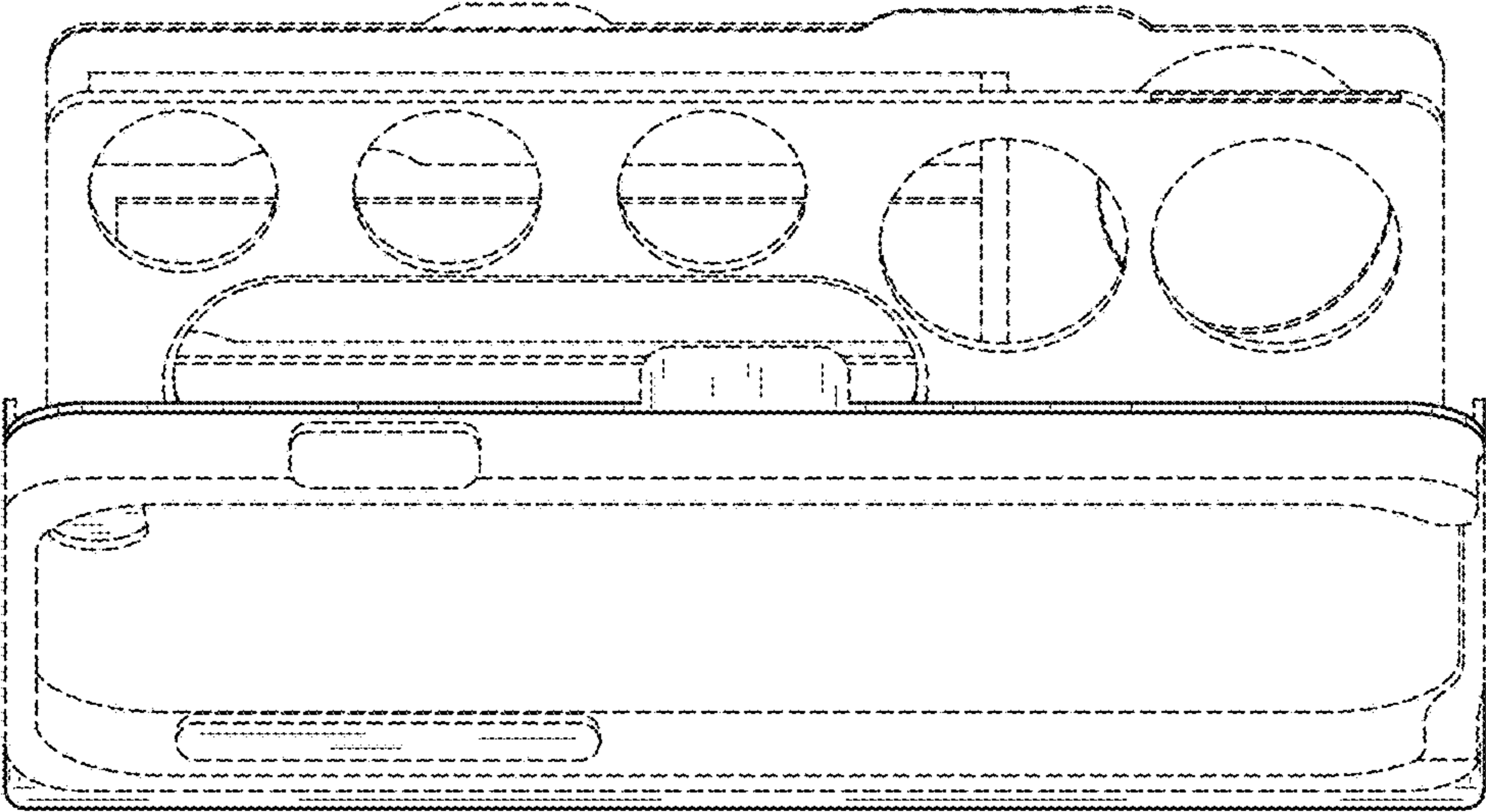


FIG. 5

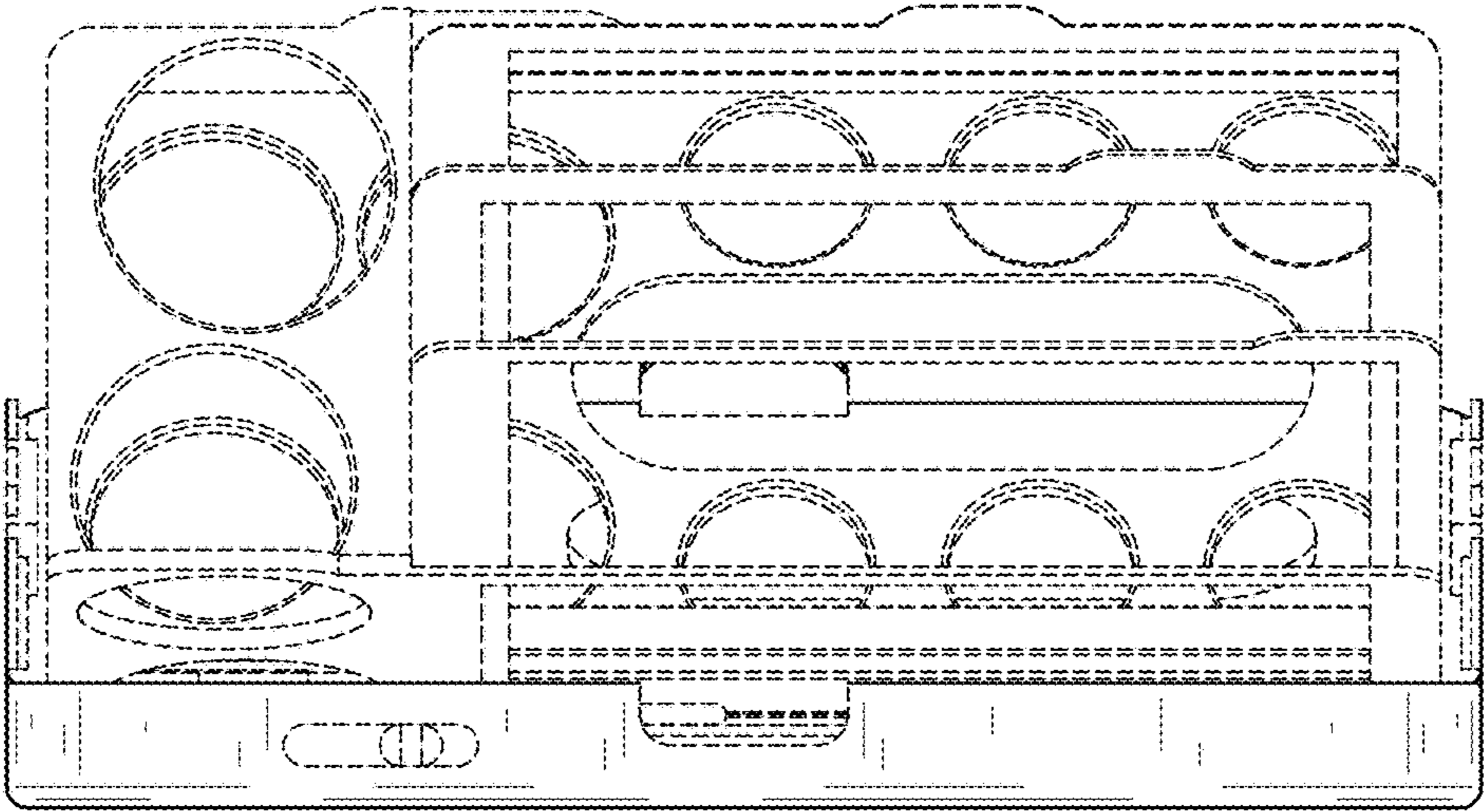


FIG. 6



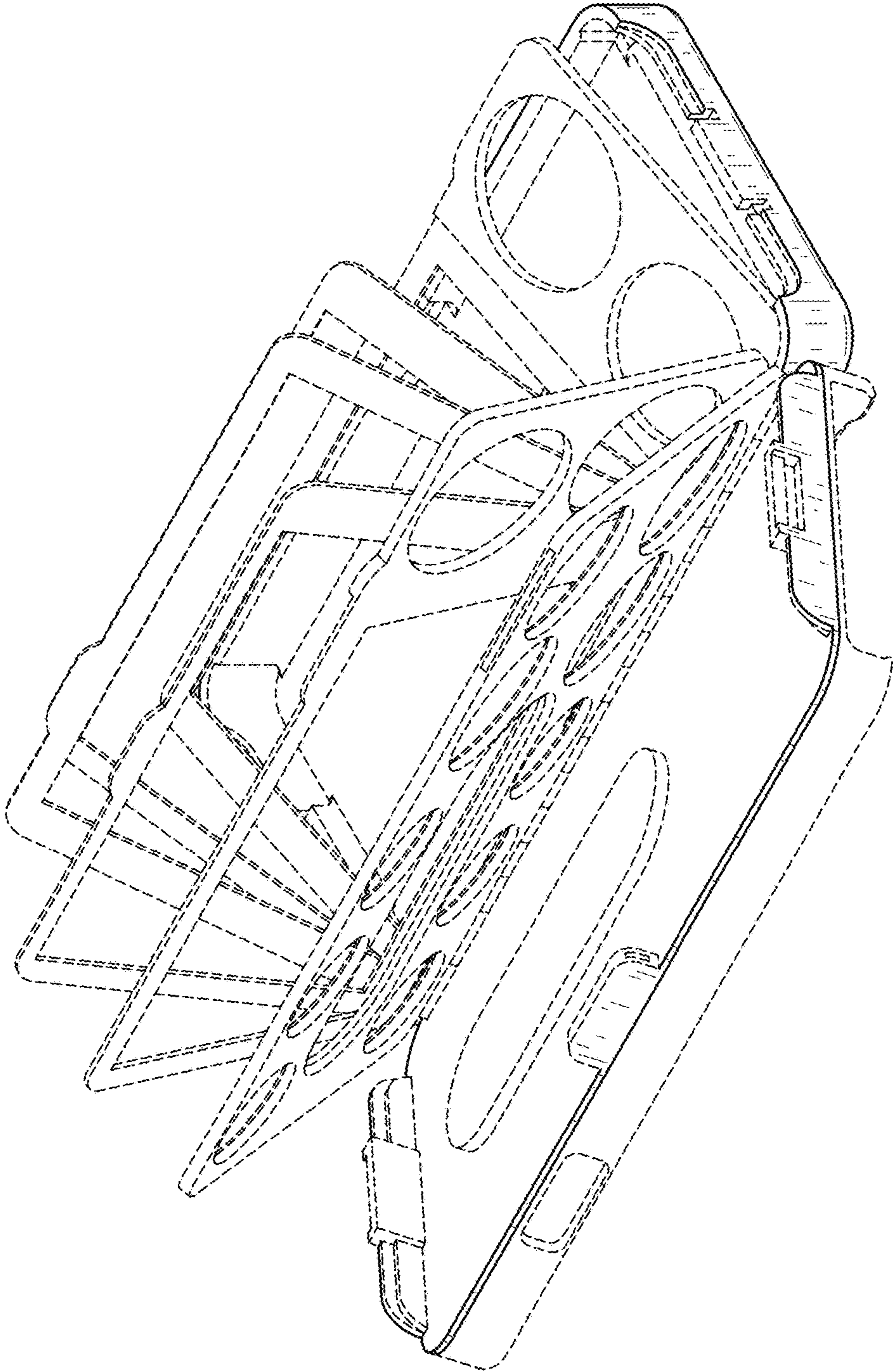


FIG. 7

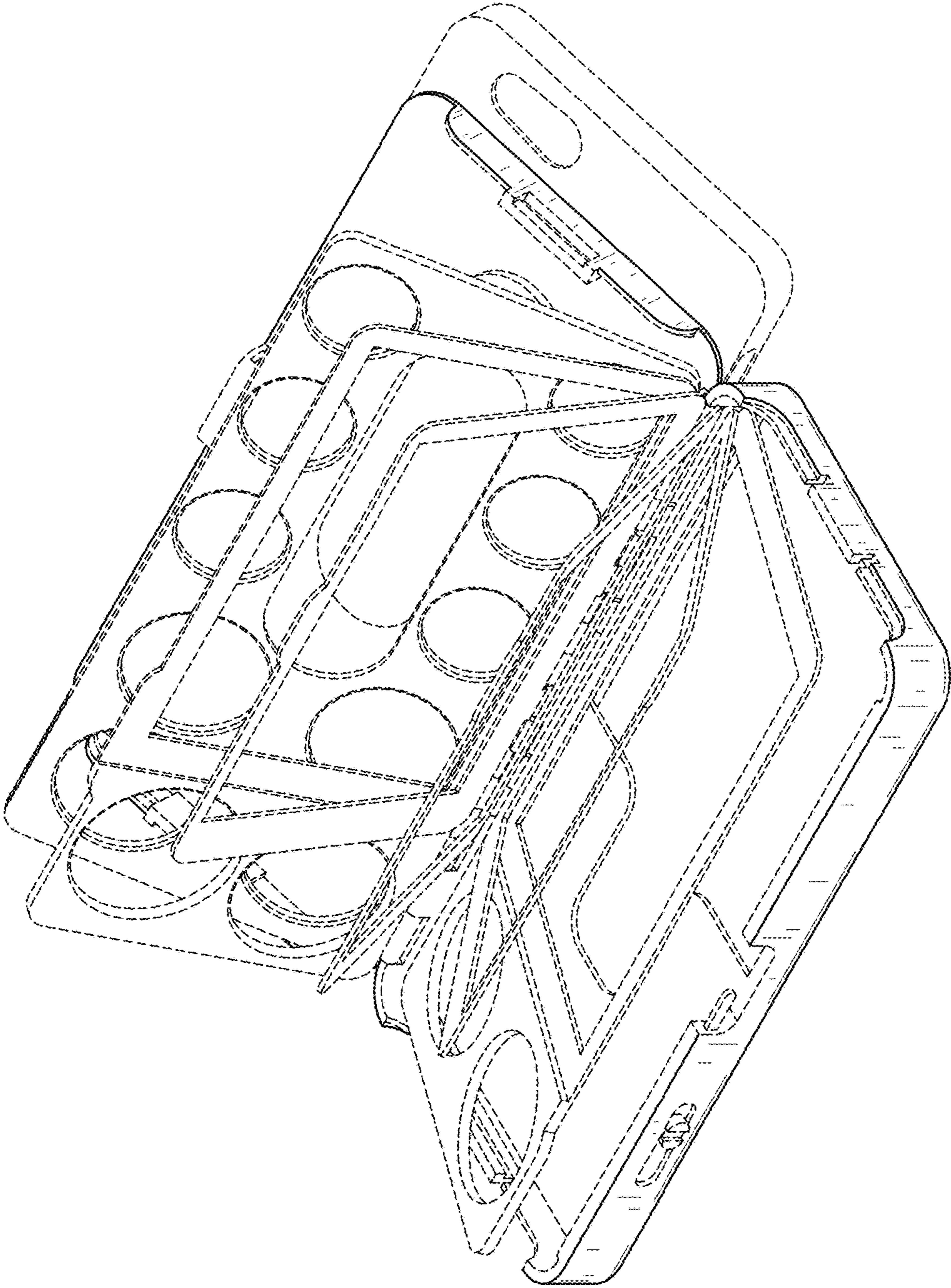


FIG. 8

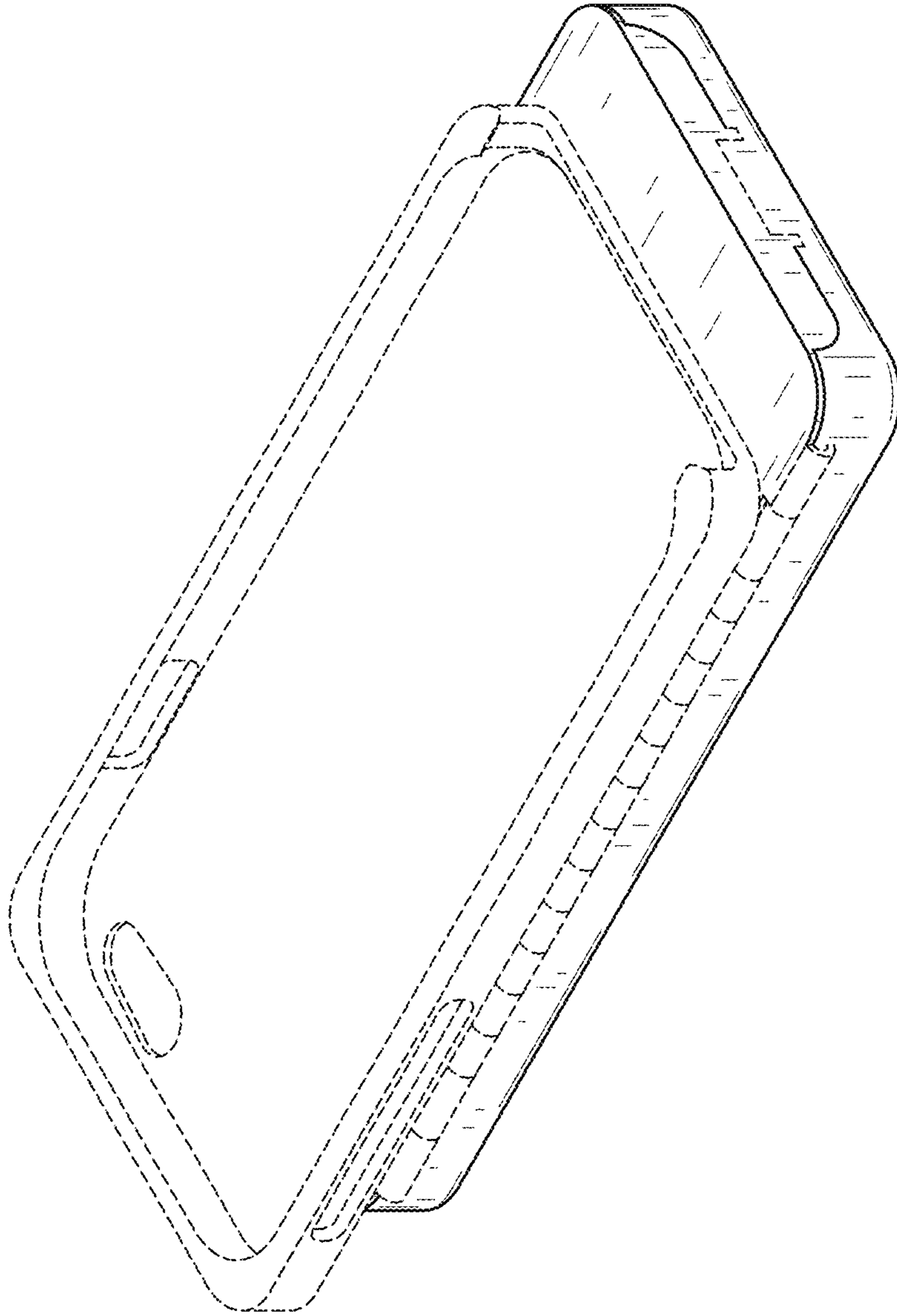


FIG. 9