



US00D824165S

(12) **United States Design Patent** (10) **Patent No.:** **US D824,165 S**
Dumas (45) **Date of Patent:** **** Jul. 31, 2018**

- (54) **BAG**
- (71) Applicant: **Hermes Sellier (Societe Par Actions Simplifree)**, Paris (FR)
- (72) Inventor: **Pierre-Alexis Dumas**, Paris (FR)
- (73) Assignee: **Hermes Sellier (Societe Par Actions Simplifree)**, Paris (FR)
- (**) Term: **15 Years**
- (21) Appl. No.: **29/575,624**
- (22) Filed: **Aug. 26, 2016**

(30) **Foreign Application Priority Data**

Feb. 29, 2016 (WO) DM/089592

- (51) **LOC (11) Cl.** **03-01**
- (52) **U.S. Cl.**
USPC **D3/246**

- (58) **Field of Classification Search**
USPC D3/201, 205, 206, 226, 231-247, 258,
D3/273, 299, 301, 303, 318, 901, 903;
D30/121
CPC A45C 1/024; A45C 7/0077; A45C 3/04;
A45C 3/06; A45C 13/02; A45C 13/04;
A45C 13/08; A45C 13/26
See application file for complete search history.

(56) **References Cited**

U.S. PATENT DOCUMENTS

- 2,504,124 A * 4/1950 Hicks A47J 47/18
383/102
- 2,635,664 A * 4/1953 Cohen A45C 3/06
150/103
- D493,614 S * 8/2004 Peng D3/246
- D647,305 S * 10/2011 Hermanson D3/318
- D650,580 S * 12/2011 Borghi D3/245

- D651,401 S * 1/2012 Borghi D3/245
- D680,328 S * 4/2013 Alexandre D3/232
- D712,661 S * 9/2014 McDonnell D3/319
- 2006/0126969 A1 * 6/2006 Paller A45C 3/00
383/38

(Continued)

OTHER PUBLICATIONS

CCSutlery, Cavalry Feed Bag, webarchive on May 3, 2015, [online], [site visited on Oct. 27, 2017]. Available from Internet, <URL: <https://web.archive.org/web/20150503152634/http://www.ccsutlery.com/store/cavalry-feedbag.html>> (Year: 2015).*

(Continued)

Primary Examiner — Sheryl Lane
Assistant Examiner — Samantha N Wood
(74) *Attorney, Agent, or Firm* — Foley & Lardner LLP

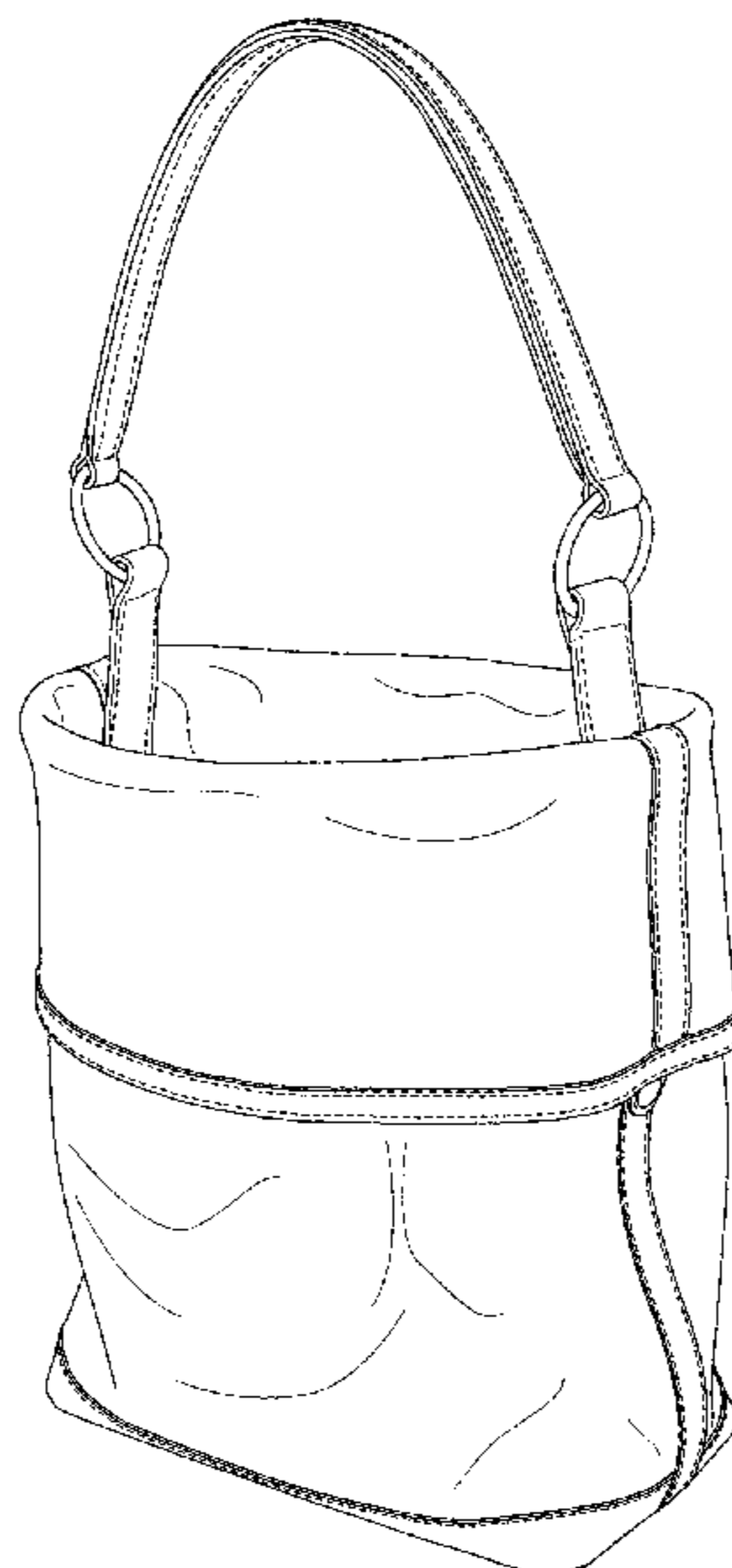
(57) **CLAIM**

I claim the ornamental design for a bag, as shown and described.

DESCRIPTION

FIG. 1 is a front perspective view of a bag of the claimed design;
FIG. 2 is a front elevational view of the bag shown in FIG. 1;
FIG. 3 is a rear elevational view of the bag shown in FIG. 1;
FIG. 4 is a right side elevational view of the bag shown in FIG. 1;
FIG. 5 is a left side elevational view of the bag shown in FIG. 1;
FIG. 6 is a top plan view of the bag shown in FIG. 1; and, FIG. 7 is a bottom plan view of the bag shown in FIG. 1. The claimed design is shown in the figures by solid lines as well as by dashed lines that represent stitching. The dot-dashed lines shown in FIG. 6 are for illustrative purposes only and form no part of the claimed design.

1 Claim, 7 Drawing Sheets



(56)

References Cited

U.S. PATENT DOCUMENTS

2007/0209742 A1* 9/2007 Morgan A45C 3/08
150/105
2007/0241145 A1* 10/2007 Williams A45C 7/0077
224/148.7

OTHER PUBLICATIONS

Etsy, Vintage Canvas Lineman's Bag, anonymous like on May 16, 2011, [online], [site visited on Oct. 27, 2017]. Available from Internet, <URL: <https://www.etsy.com/shop/OctaviaBrown/reviews?ref=pagination&page=3>> (Year: 2011).*

Kinekelly, Sac de Pansage Hermes, posted on Apr. 17, 2013, [online], [site visited on Oct. 27, 2017]. Available from Internet, <URL: <http://kinekelly.over-blog.com/sac-de-pansage-herm%C3%A8s>> (Year: 2013).*

* cited by examiner

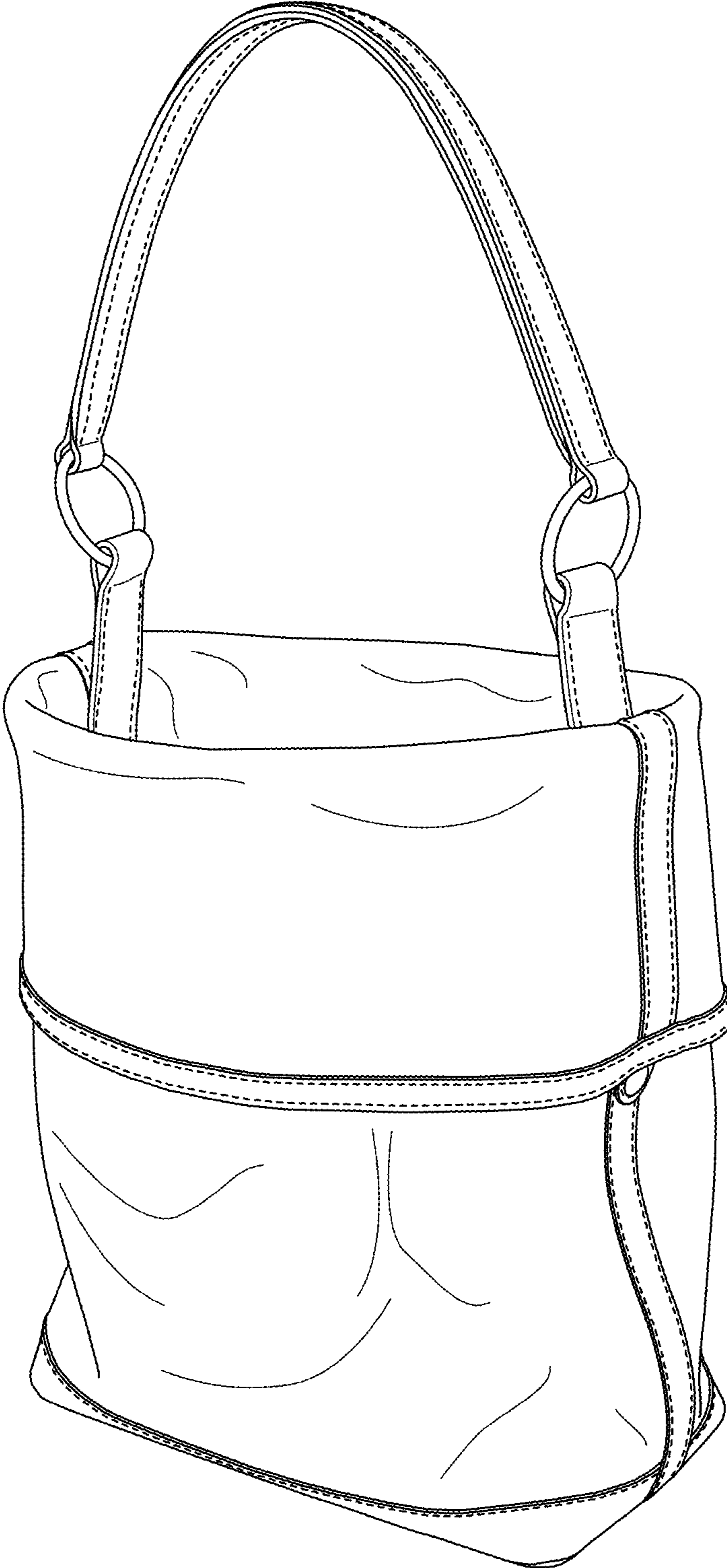


FIG. 1

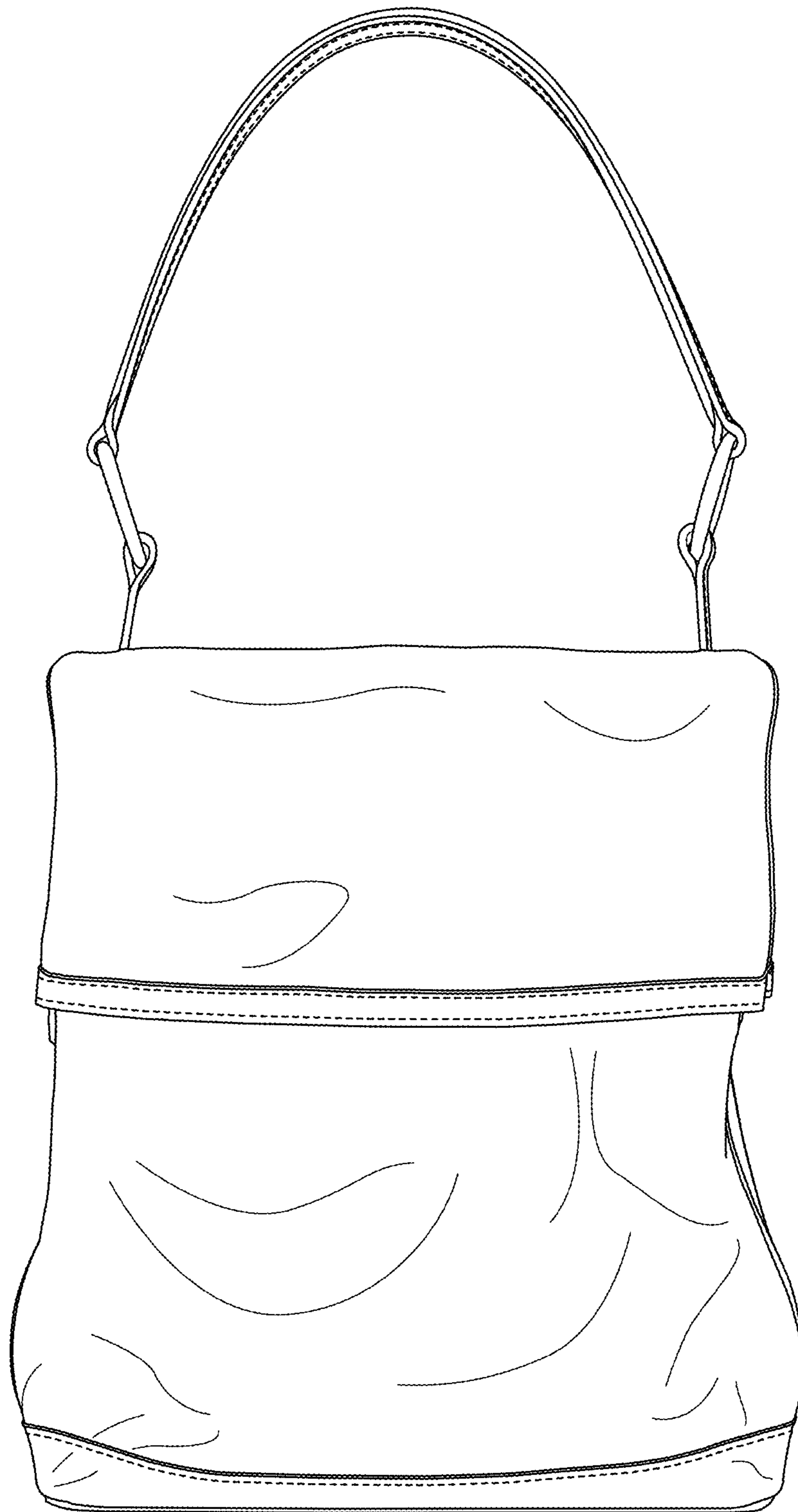


FIG. 2

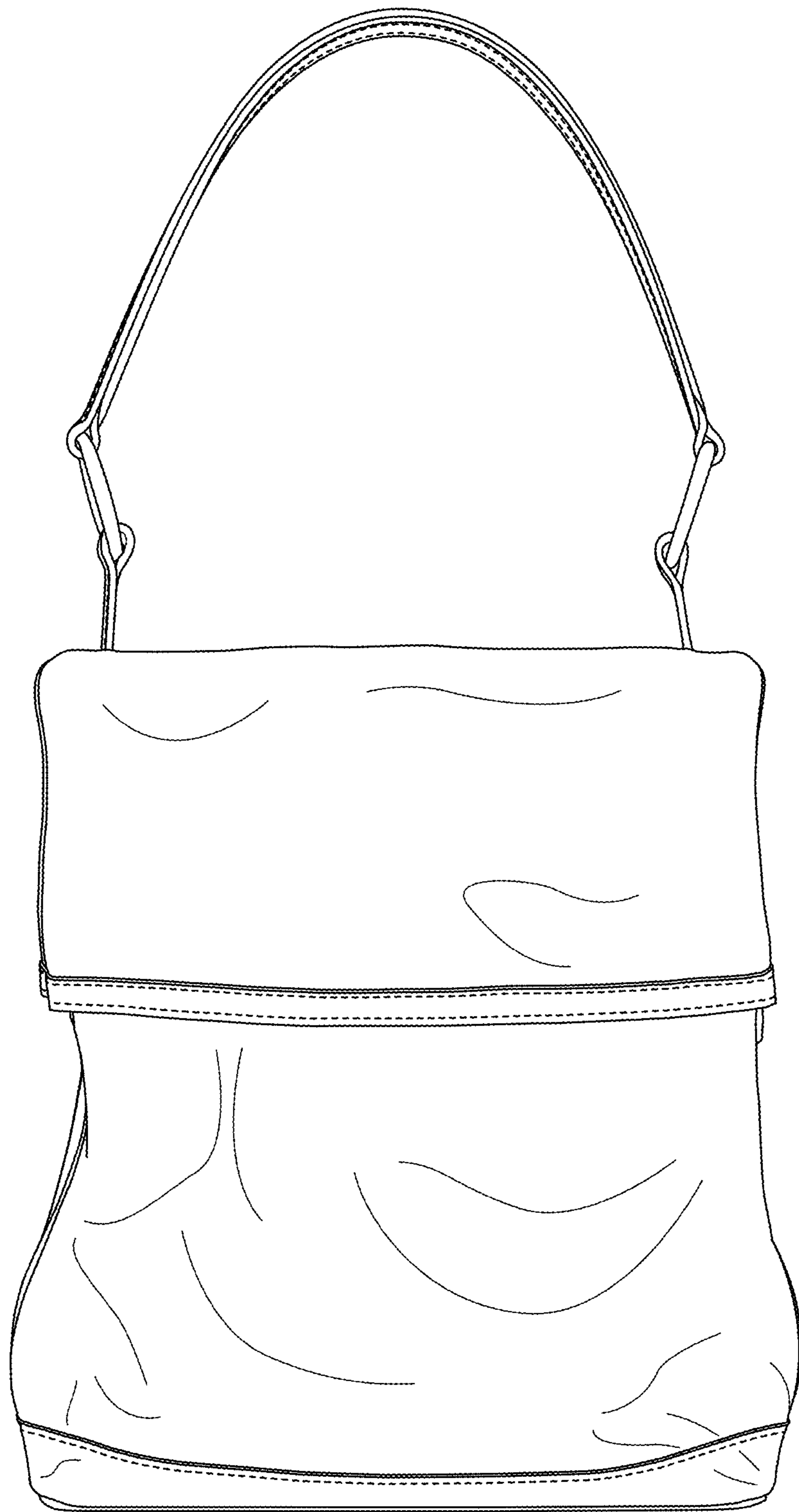


FIG. 3

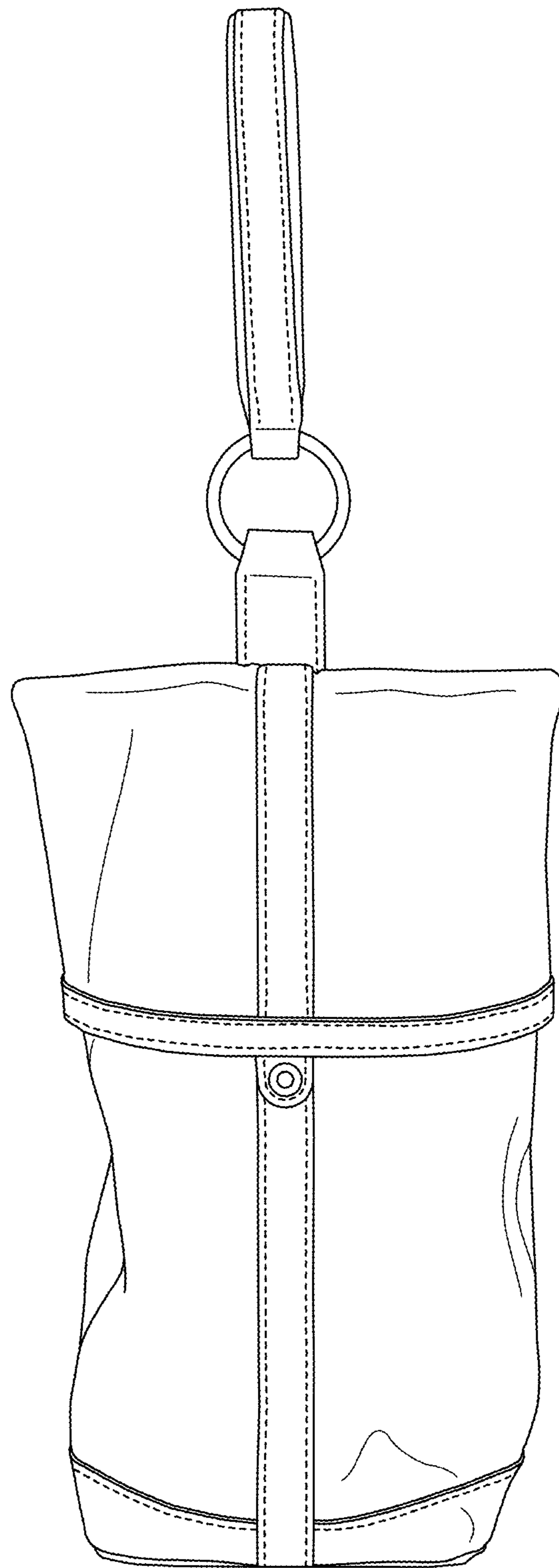


FIG. 4

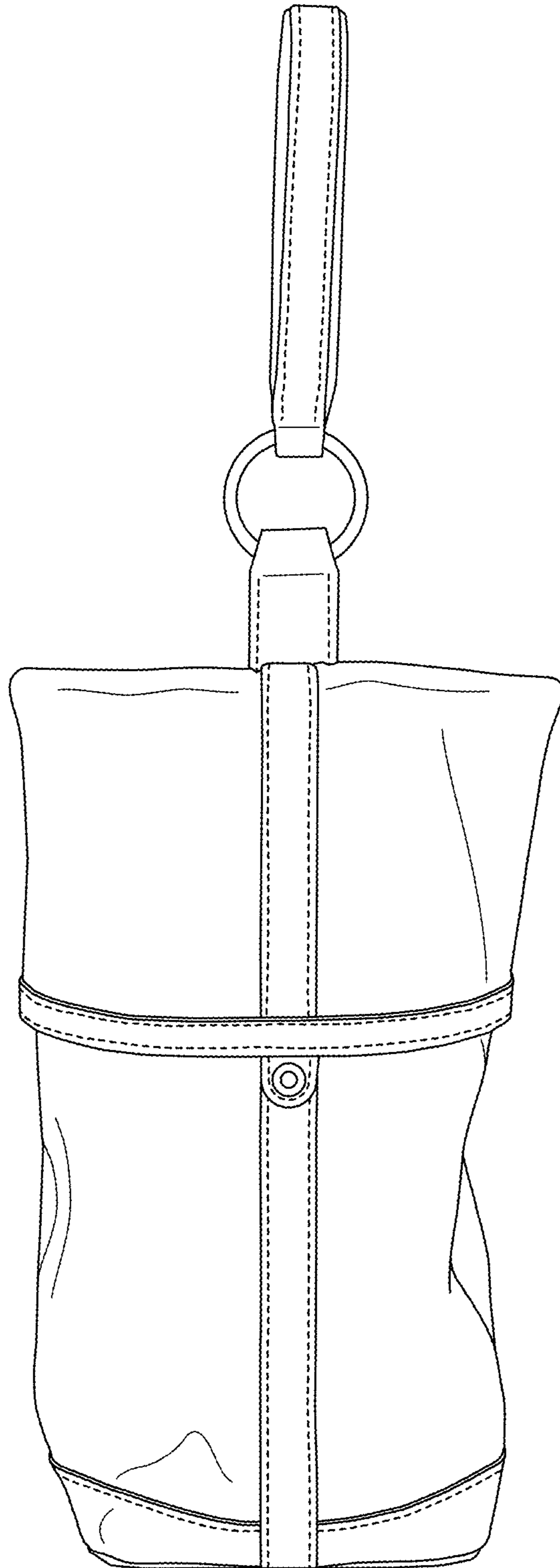


FIG. 5

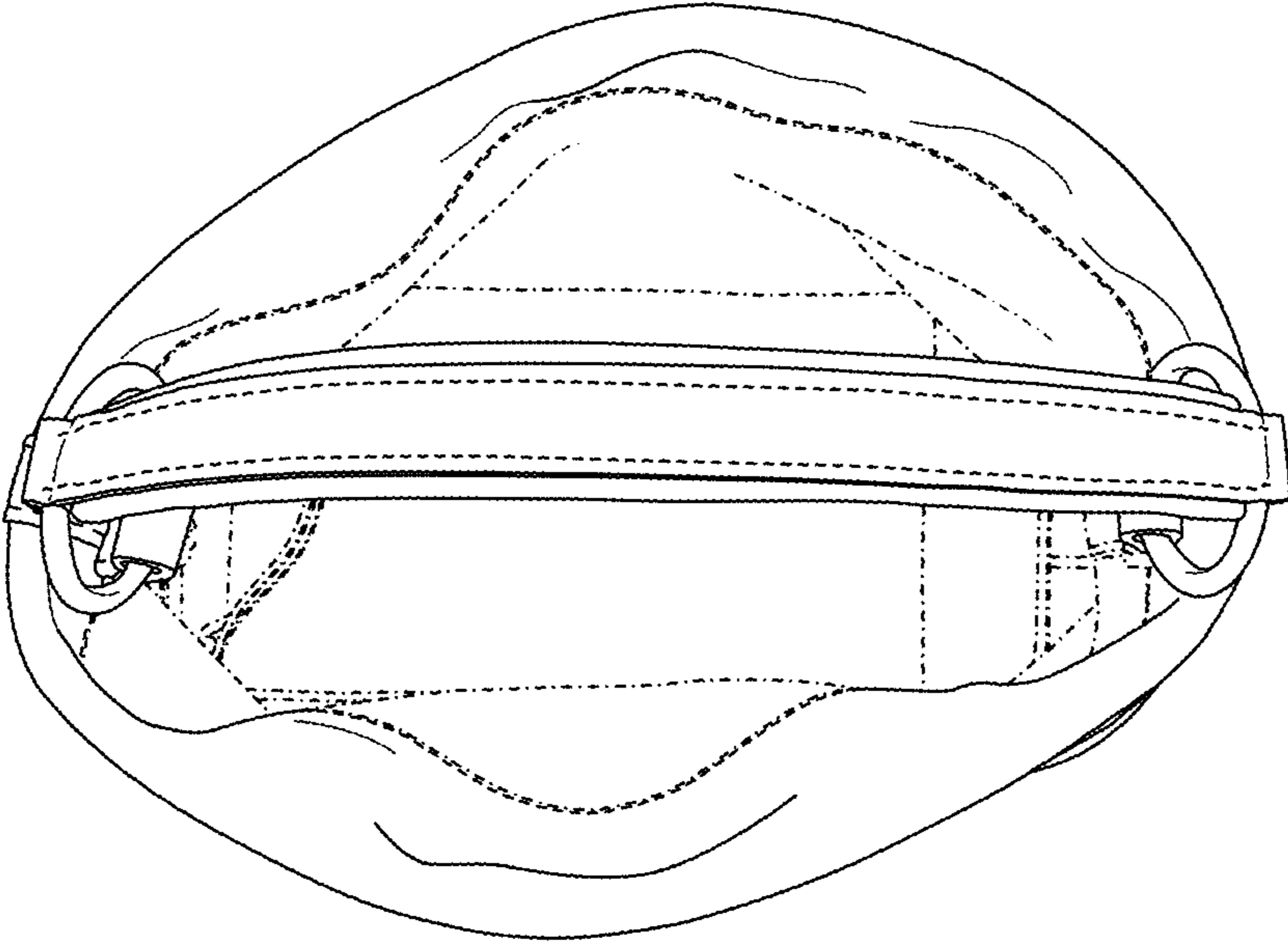


FIG. 6

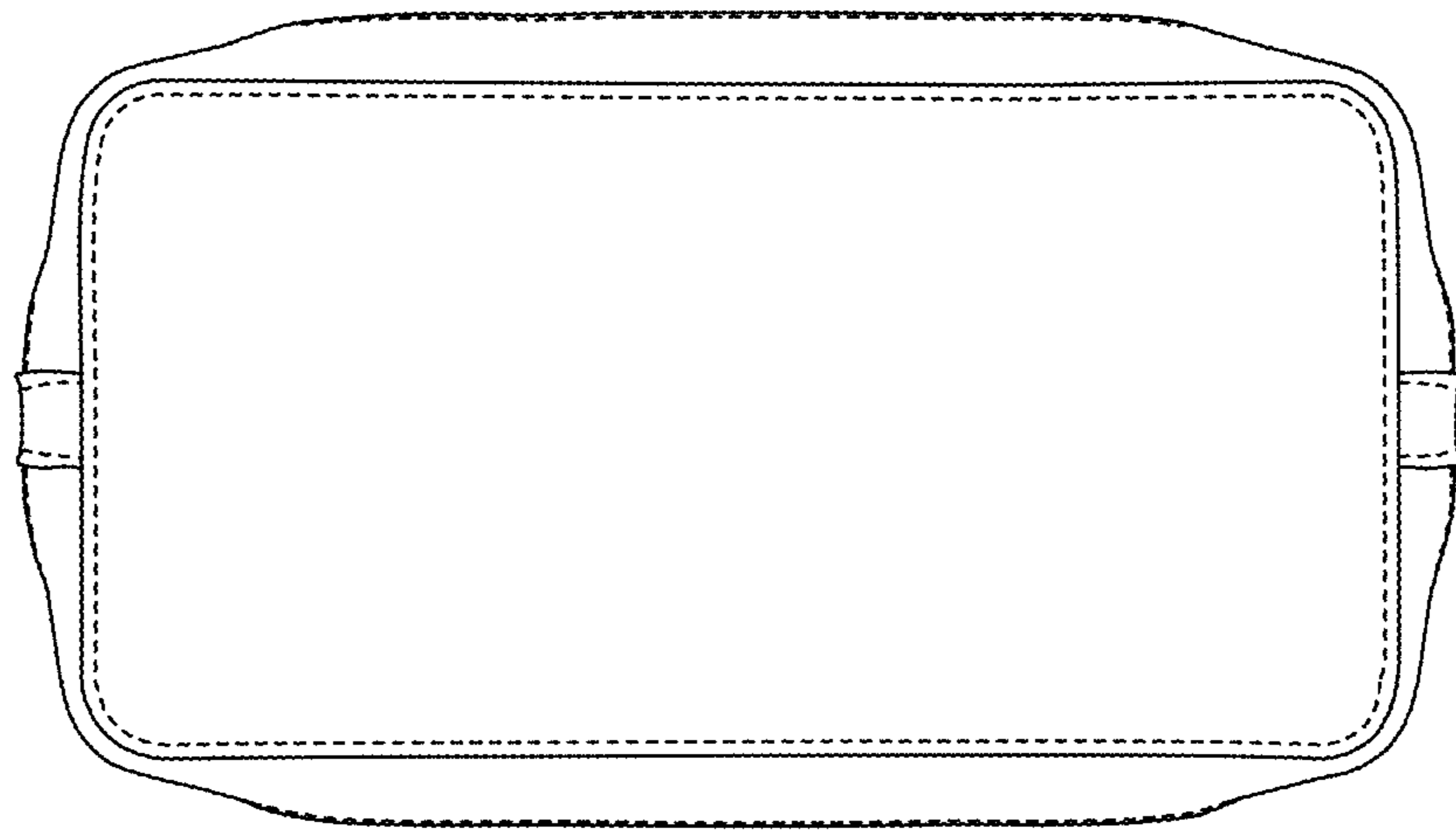


FIG. 7