



US00D824163S

(12) **United States Design Patent**  
**Cheng**

(10) **Patent No.:** **US D824,163 S**

(45) **Date of Patent:** **\*\* Jul. 31, 2018**

(54) **BATON HOLDER**

(71) Applicant: **KANTAS PRODUCTS CO., LTD.**,  
Taipei (TW)

(72) Inventor: **Yang-Fu Cheng**, Taipei (TW)

(73) Assignee: **KANTAS PRODUCTS CO., LTD.**,  
Taipei (TW)

(\*\*) Term: **15 Years**

(21) Appl. No.: **29/608,886**

(22) Filed: **Jun. 27, 2017**

(30) **Foreign Application Priority Data**

Jun. 3, 2017 (TW) ..... 106303015

(51) **LOC (11) Cl.** ..... **03-01**

(52) **U.S. Cl.**  
USPC ..... **D3/229**

(58) **Field of Classification Search**  
USPC ..... D3/229, 228, 215, 221; 224/236, 245,  
224/251, 256, 672, 675-676, 901.4,  
224/901.6, 914  
CPC ..... F41B 15/02  
See application file for complete search history.

(56) **References Cited**

**U.S. PATENT DOCUMENTS**

4,953,769 A \* 9/1990 Parsons ..... A45F 5/02  
224/247  
4,955,518 A \* 9/1990 Parsons ..... A45F 5/02  
224/247

5,217,151 A \* 6/1993 Parsons ..... A45F 5/021  
224/245  
D386,612 S \* 11/1997 Starrett ..... D3/229  
D405,258 S \* 2/1999 Newbould, Jr. .... D3/229  
D518,633 S \* 4/2006 Hestvik ..... D3/229  
D535,471 S \* 1/2007 Parsons ..... D22/117  
D785,320 S \* 5/2017 Kostal ..... D3/229

\* cited by examiner

*Primary Examiner* — Catherine R Oliver-Garcia

(74) *Attorney, Agent, or Firm* — Bacon & Thomas, PLLC

(57) **CLAIM**

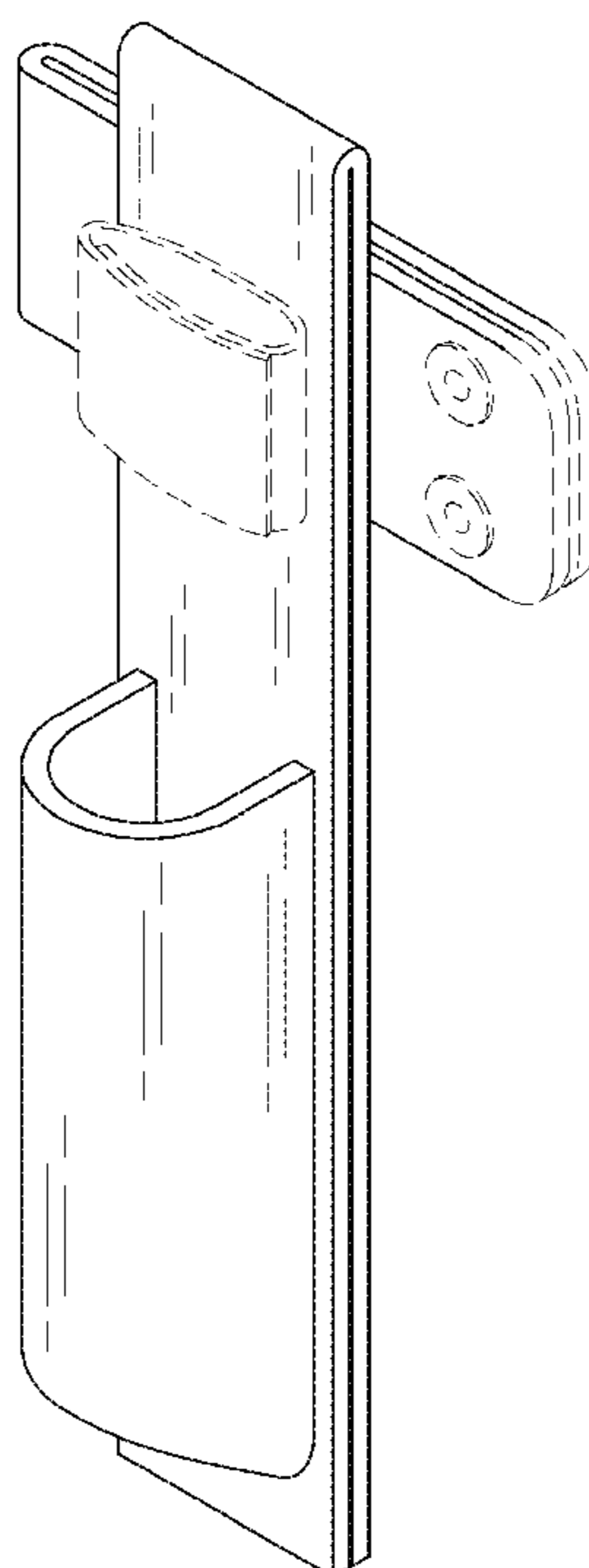
The ornamental design for the baton holder, as shown and described above.

**DESCRIPTION**

FIG. 1 is a perspective view of a baton holder showing the new design;  
FIG. 2 is a front elevational view thereof;  
FIG. 3 is a rear elevational view thereof;  
FIG. 4 is a left side elevational view thereof;  
FIG. 5 is a right side elevational view thereof;  
FIG. 6 is a top plan view thereof;  
FIG. 7 is a bottom plan view thereof; and,  
FIG. 8 is a perspective view showing the rotatable part of the design been rotated to vertical direction.

The dash-dash broken lines throughout the figures depict environmental subject matter that forms no part of the claimed design. The broken lines and the regions bounded by broken lines showing partial portions of the baton holder are for illustrative purpose only and form no part of the claimed design.

**1 Claim, 7 Drawing Sheets**



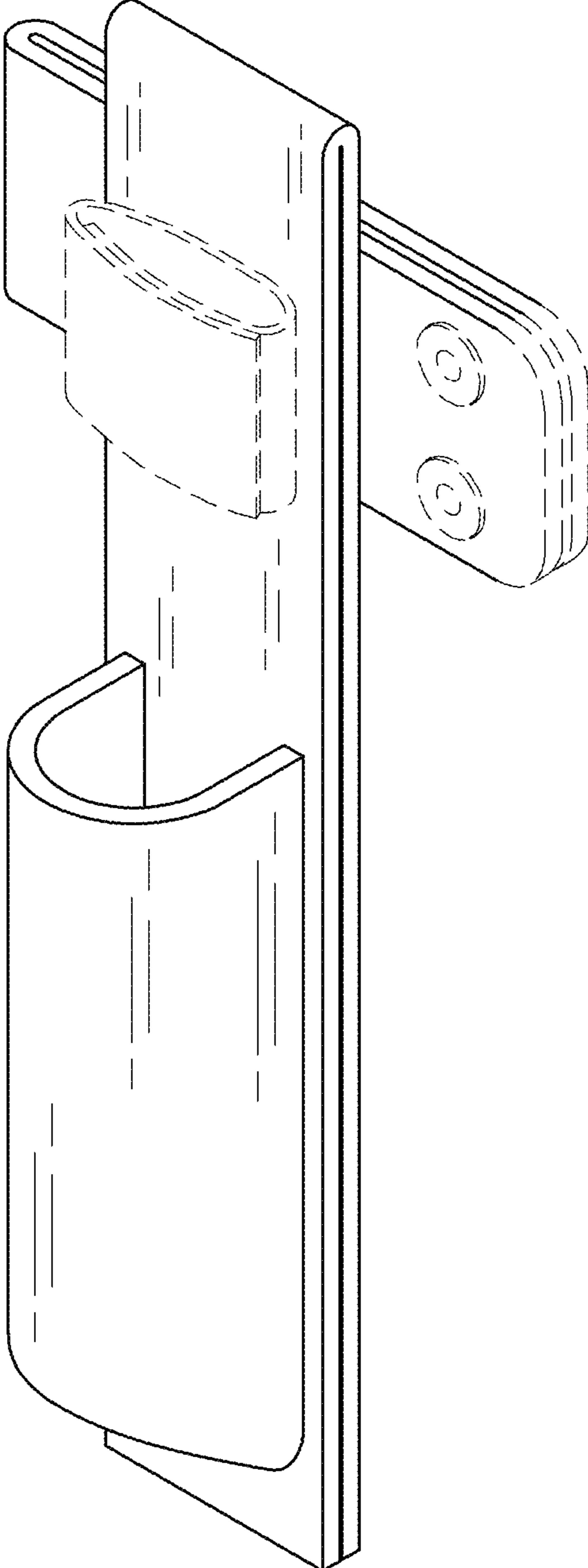


FIG. 1

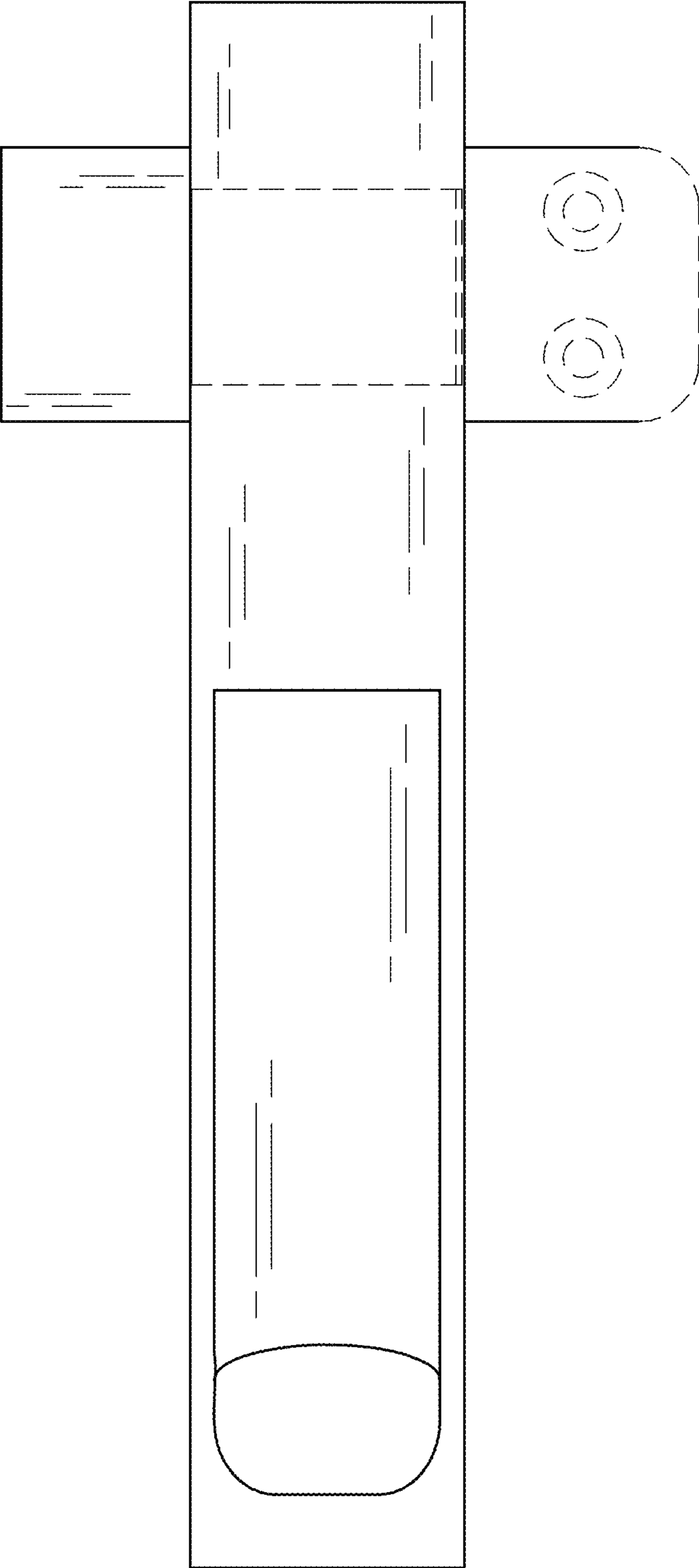


FIG. 2

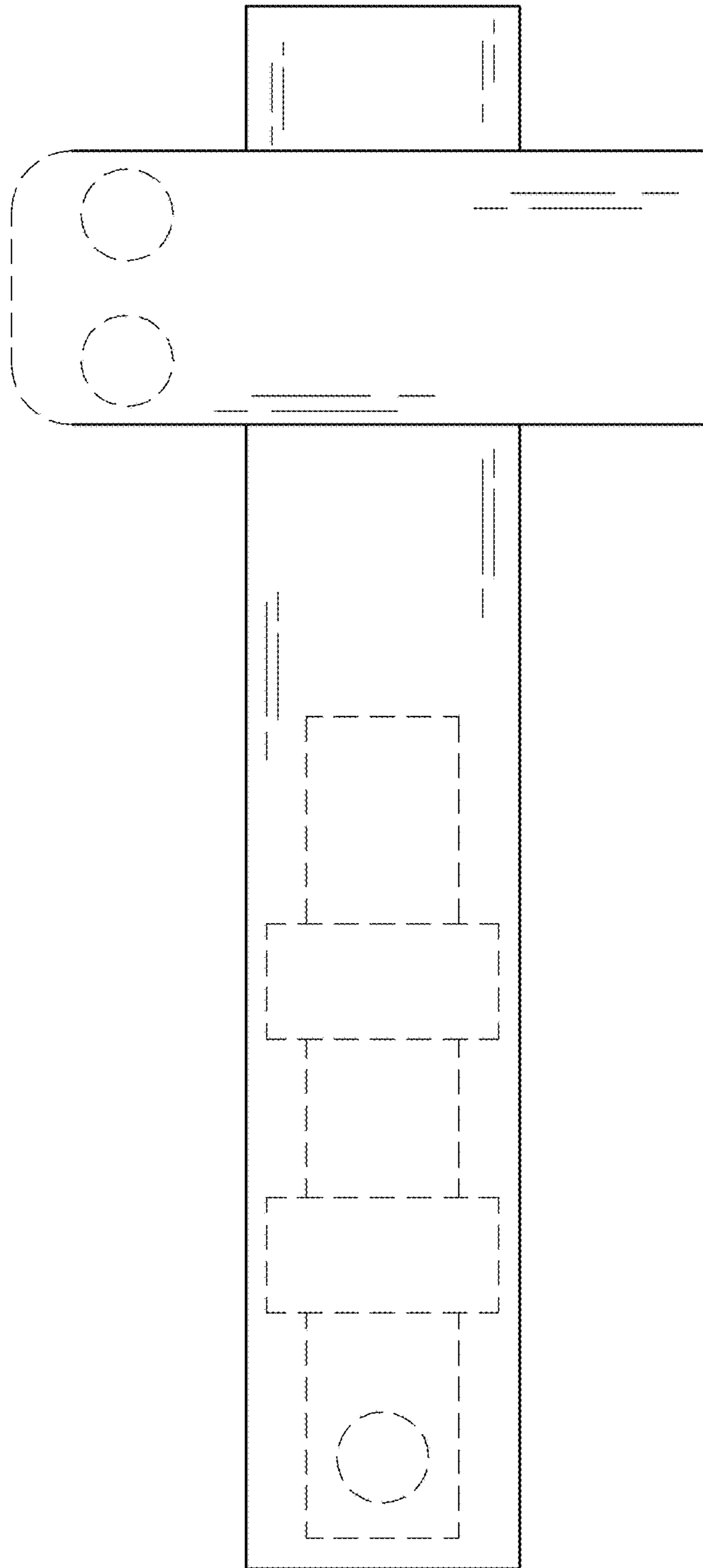


FIG. 3

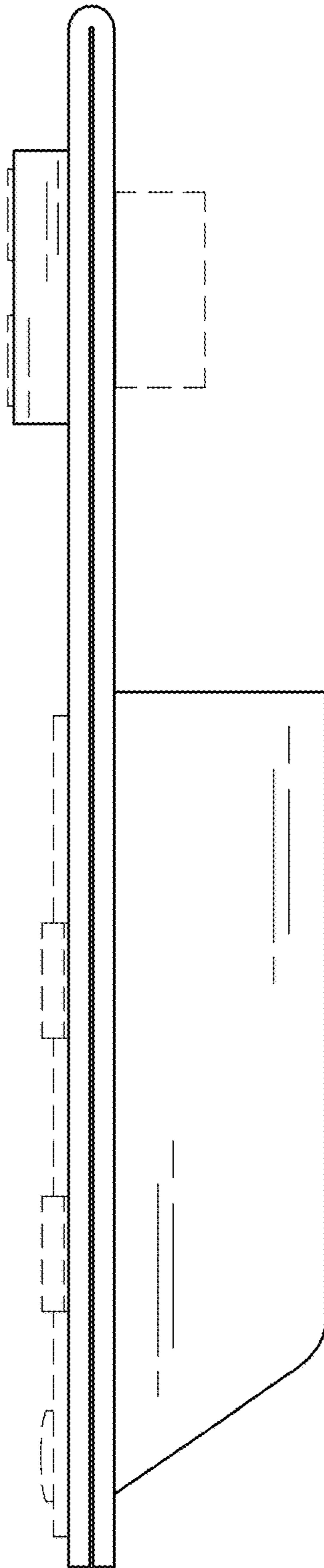


FIG. 4

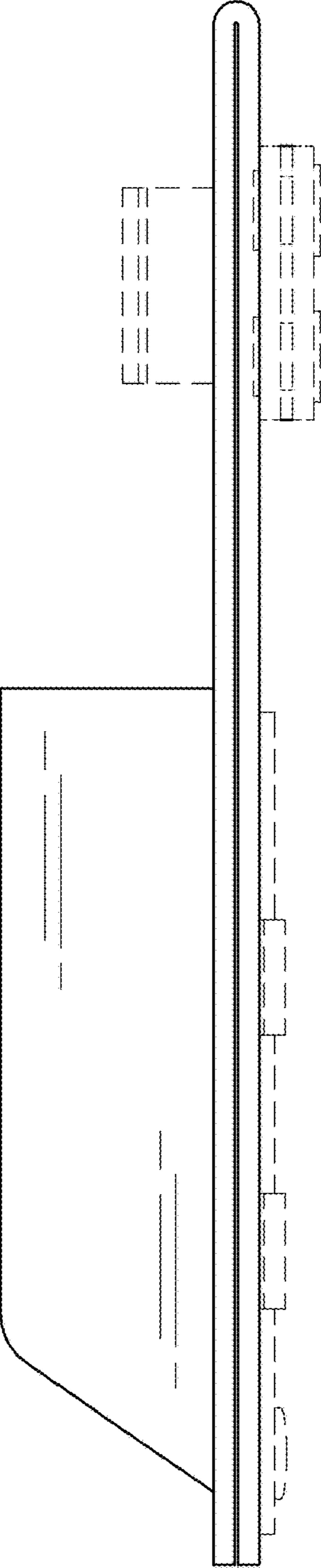


FIG. 5

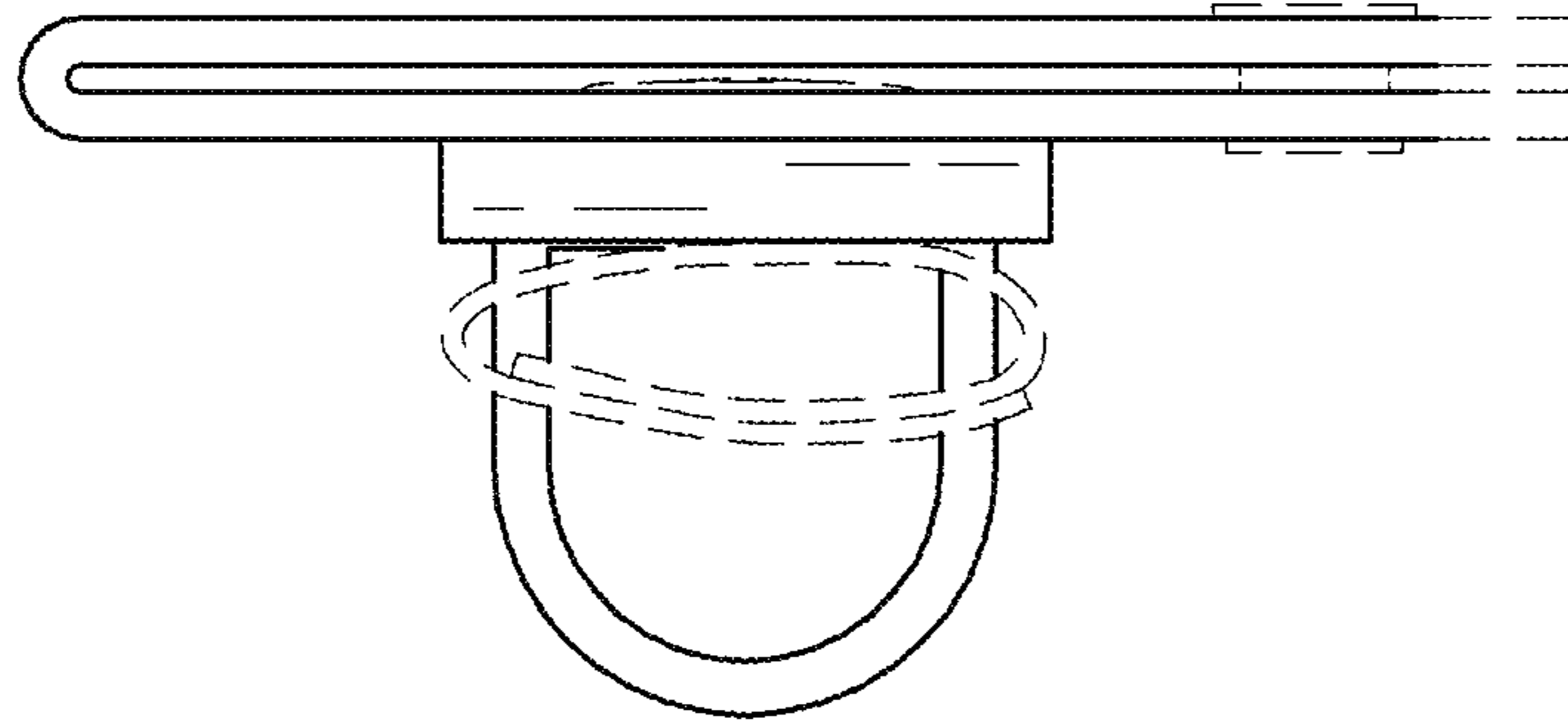


FIG. 6

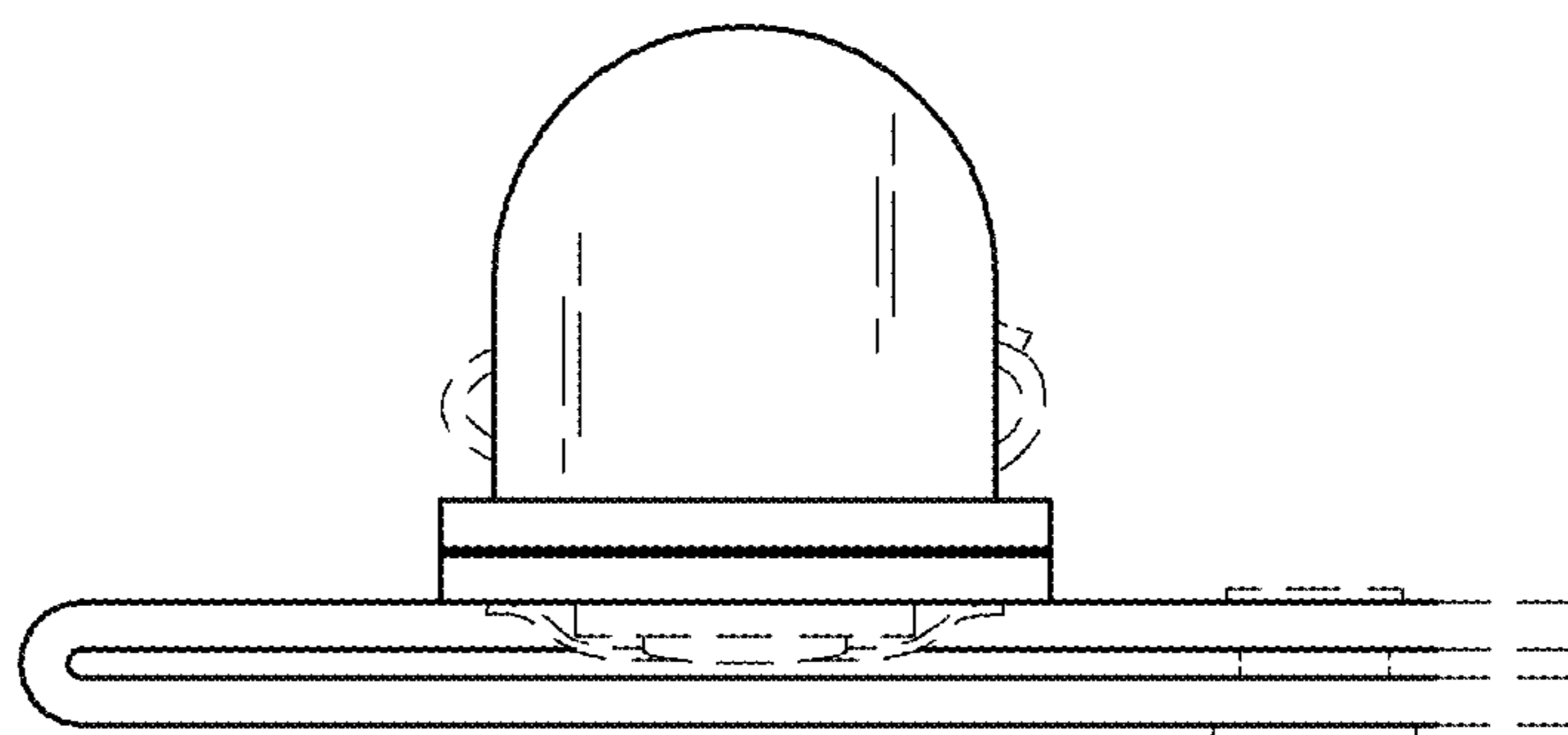


FIG. 7

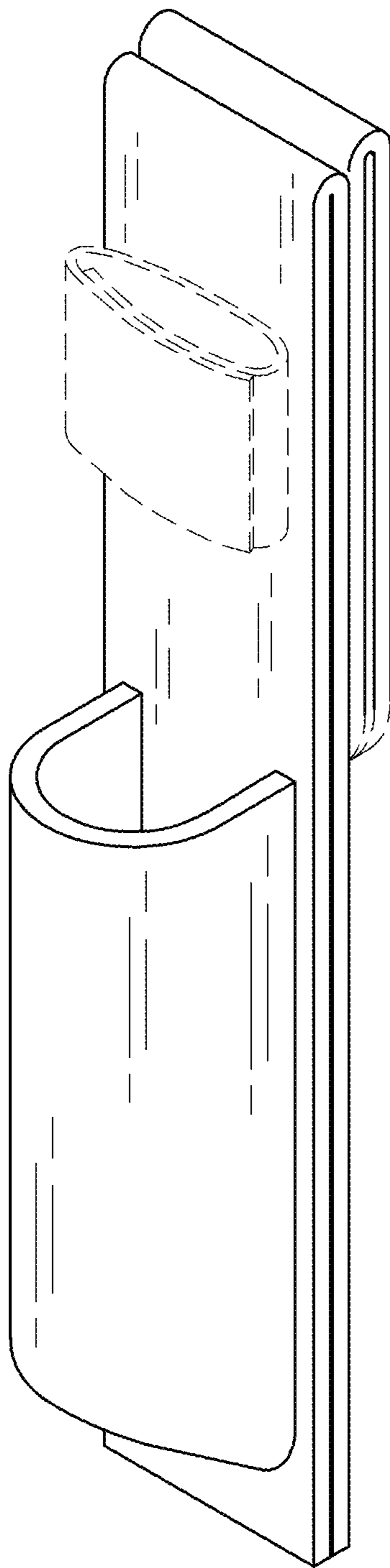


FIG. 8