



US00D824135S

(12) **United States Design Patent** (10) **Patent No.:** **US D824,135 S**
Gvasalia (45) **Date of Patent:** **** Jul. 31, 2018**

(54) **GARMENT COLLAR**

(74) *Attorney, Agent, or Firm* — Donald J. Ranft; Collen

(71) Applicant: **BALENCIAGA**, Paris (FR)

(57) **CLAIM**

(72) Inventor: **Demna Gvasalia**, Paris (FR)

The ornamental design for a garment collar, as shown and described.

(73) Assignee: **BALENCIAGA**, Paris (FR)

(**) Term: **15 Years**

DESCRIPTION

(21) Appl. No.: **29/607,194**

FIG. 1 is a left perspective view of a garment collar showing my new design buttoned;
FIG. 2 is a rear right perspective view thereof;
FIG. 3 is a front view thereof;
FIG. 4 is a rear view thereof;
FIG. 5 is a right side view thereof;
FIG. 6 is a top view thereof;
FIG. 7 is a bottom view thereof;
FIG. 8 is a rear right perspective view thereof, showing the garment collar unbuttoned;
FIG. 9 is a right side view thereof;
FIG. 10 is a top view thereof; and
FIG. 11 is a front view thereof.
FIG. 12 is a buttoned front left perspective view of a second embodiment of a garment collar showing my new design;
FIG. 13 is a rear right perspective view thereof;
FIG. 14 is a front view thereof;
FIG. 15 is a rear view thereof;
FIG. 16 is a left side view thereof;
FIG. 17 is a right side view thereof;
FIG. 18 is a top view thereof;
FIG. 19 is a bottom view thereof;
FIG. 20 is an unbuttoned rear right perspective view thereof;
FIG. 21 is a front view thereof.
FIG. 22 is a left side view thereof;
FIG. 23 is a right side view thereof; and
FIG. 24 is a top view thereof.
The garment shown in broken lines depicts environment included to show the garment collar in positions of use and forms no part of the claimed design.

(22) Filed: **Jun. 12, 2017**

(30) **Foreign Application Priority Data**

Jan. 26, 2017 (CN) 2017 3 0031012
Jan. 26, 2017 (CN) 2017 3 0031013

(51) **LOC (11) Cl.** **02-01**

(52) **U.S. Cl.**
USPC **D2/602; D2/840**

(58) **Field of Classification Search**
USPC D2/600, 602, 605, 717, 720, 724, 725,
D2/739, 828, 829, 834, 840, 841, 842,
D2/845, 847, 849, 853, 854, 858
CPC A41B 1/00; A41B 1/06; A41B 1/08; A41B
9/06; A41D 1/02; A41D 1/04; A41D
1/18; A41D 13/0015
See application file for complete search history.

(56) **References Cited**

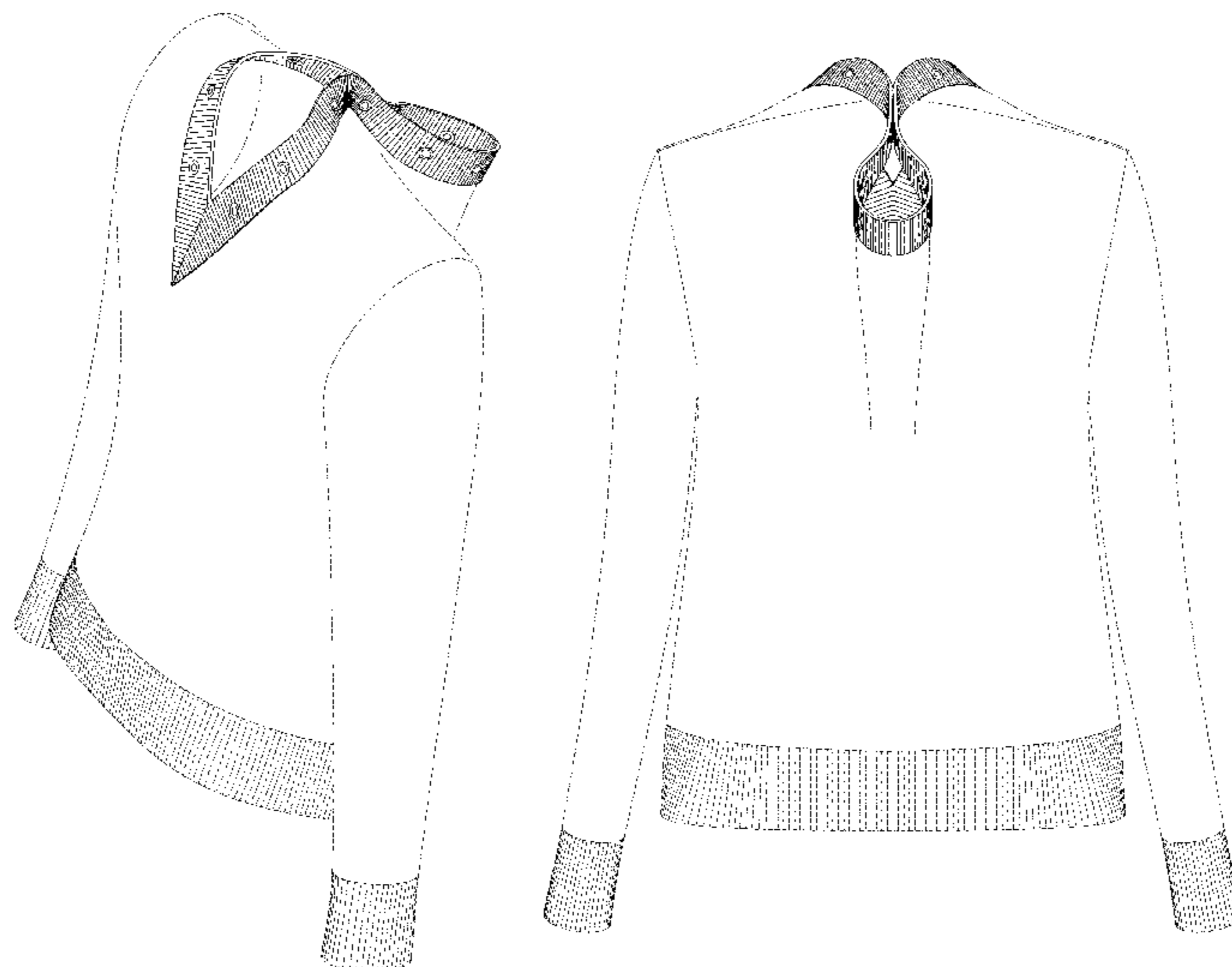
U.S. PATENT DOCUMENTS

805,259 A * 11/1905 Brown A41D 1/04
2/90
1,388,563 A * 8/1921 Hanson A41D 1/02
2/102
2,072,050 A * 2/1937 Sharps A41D 1/04
2/90

(Continued)

Primary Examiner — Karen S Acker
Assistant Examiner — Jasmine Mlinarcik

1 Claim, 22 Drawing Sheets



(56)

References Cited

U.S. PATENT DOCUMENTS

3,393,406	A *	7/1968	Hollinger	A41B 3/00 2/127
5,584,074	A *	12/1996	Battle-Smith	A41D 1/04 2/108
D390,337	S *	2/1998	Mixon	D2/717
D499,230	S *	12/2004	Young	D2/602
D509,947	S *	9/2005	Fortune	D2/840
D526,764	S *	8/2006	Toomey	D2/840
D747,073	S *	1/2016	Medeiros	D2/720
D788,405	S *	6/2017	Walrich	D2/739
D814,144	S *	4/2018	Meng	D2/750
2014/0259262	A1 *	9/2014	Schreiber, Sr.	A41B 3/18 2/46

* cited by examiner

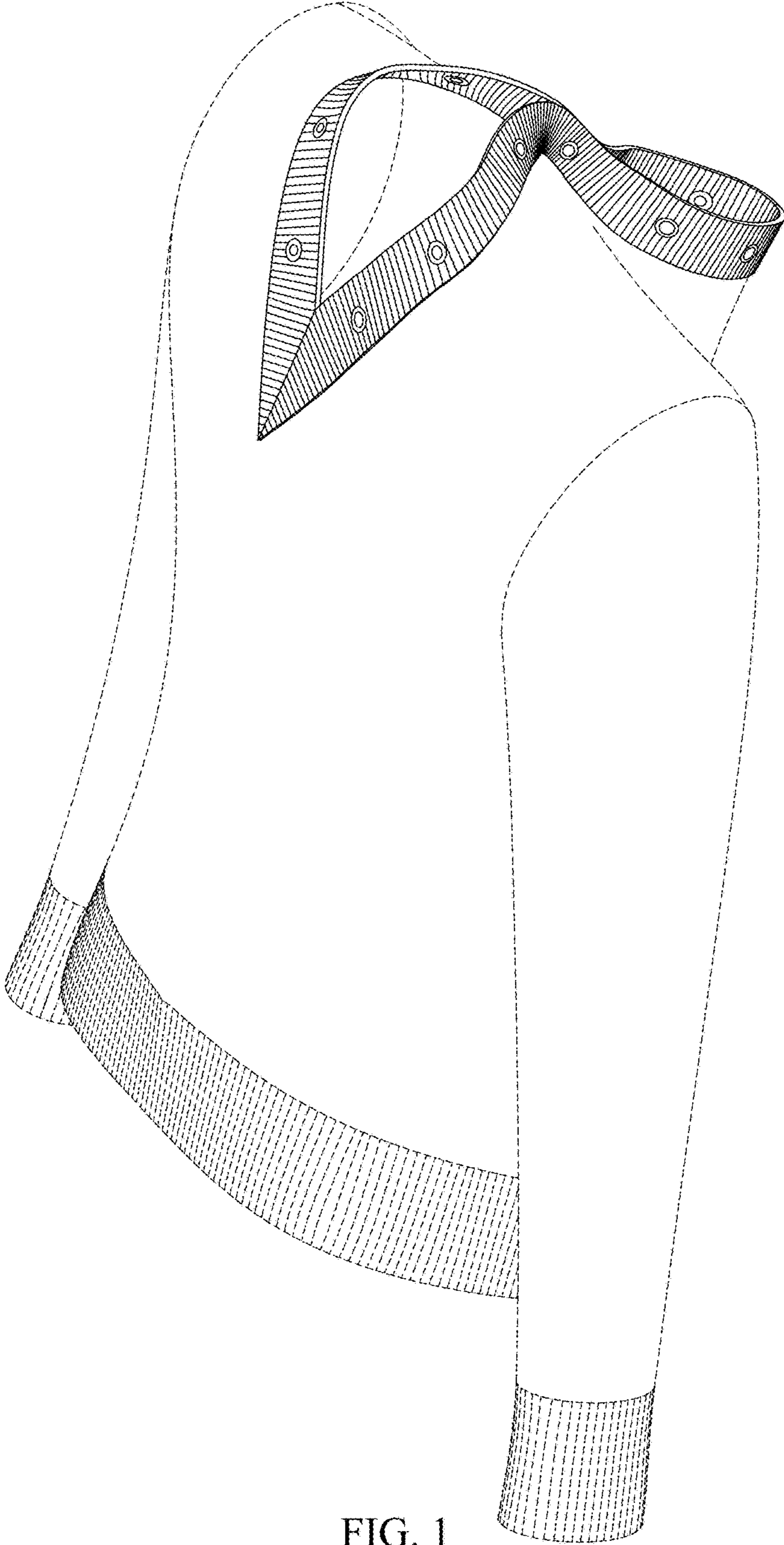


FIG. 1

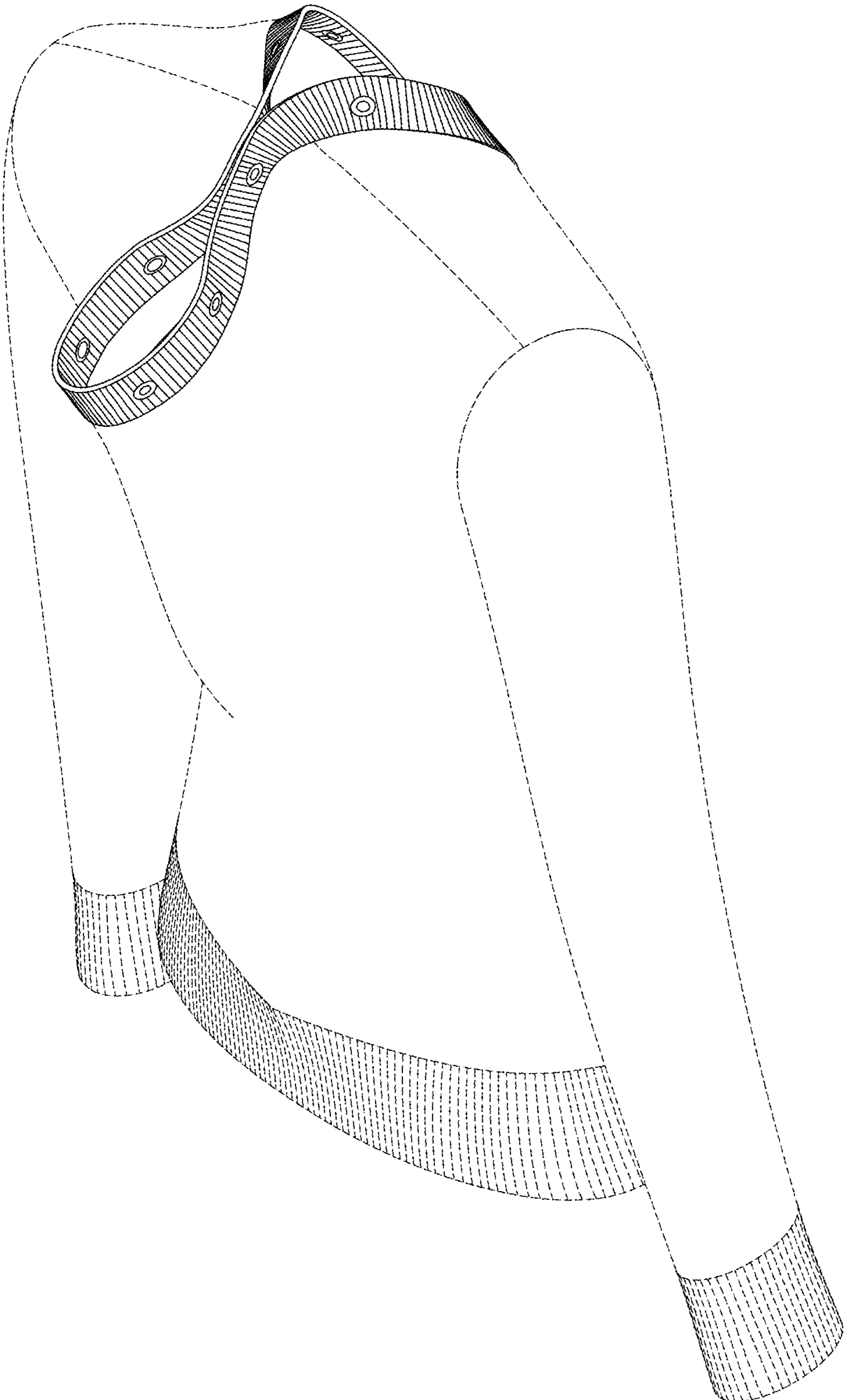


FIG. 2

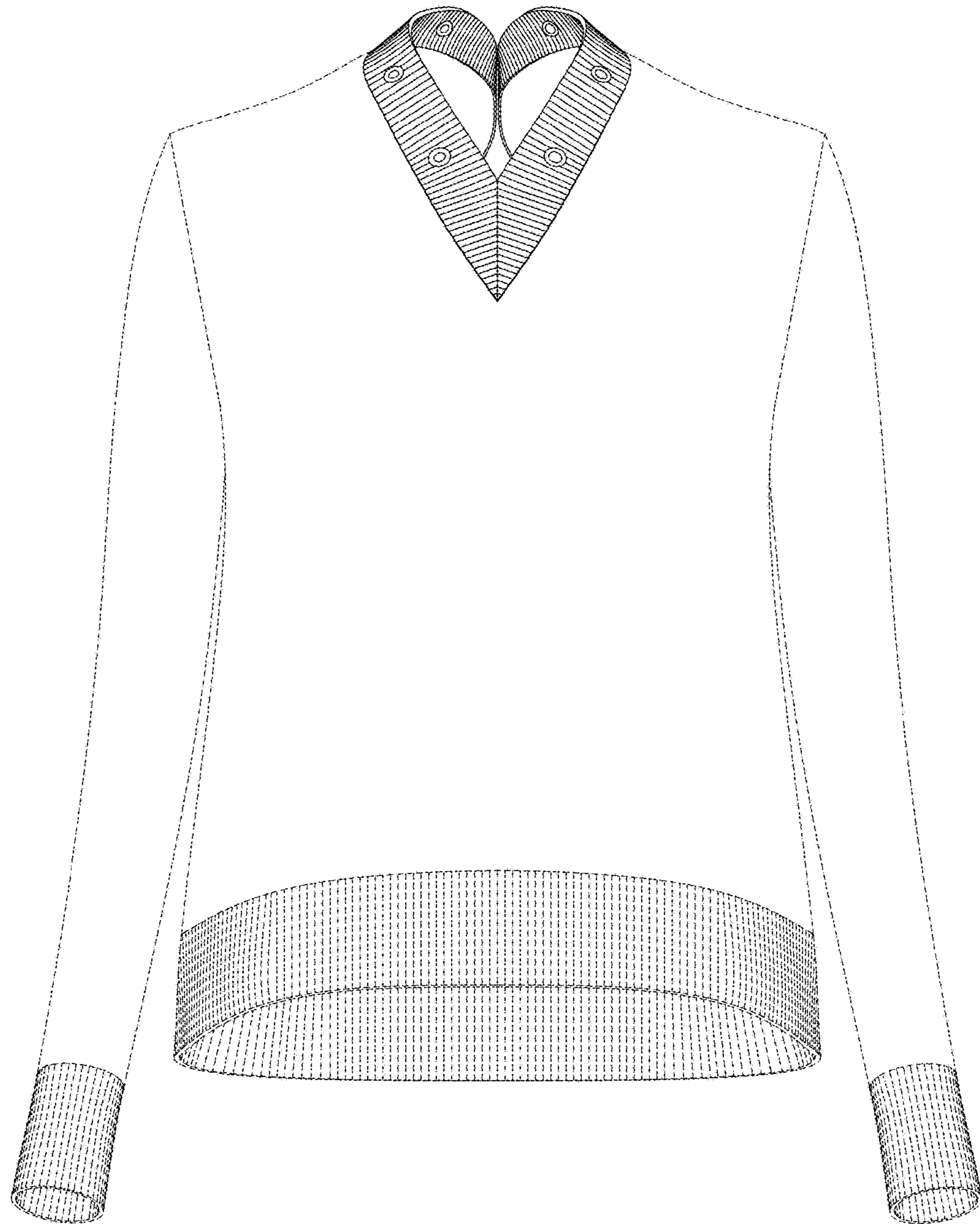


FIG. 3

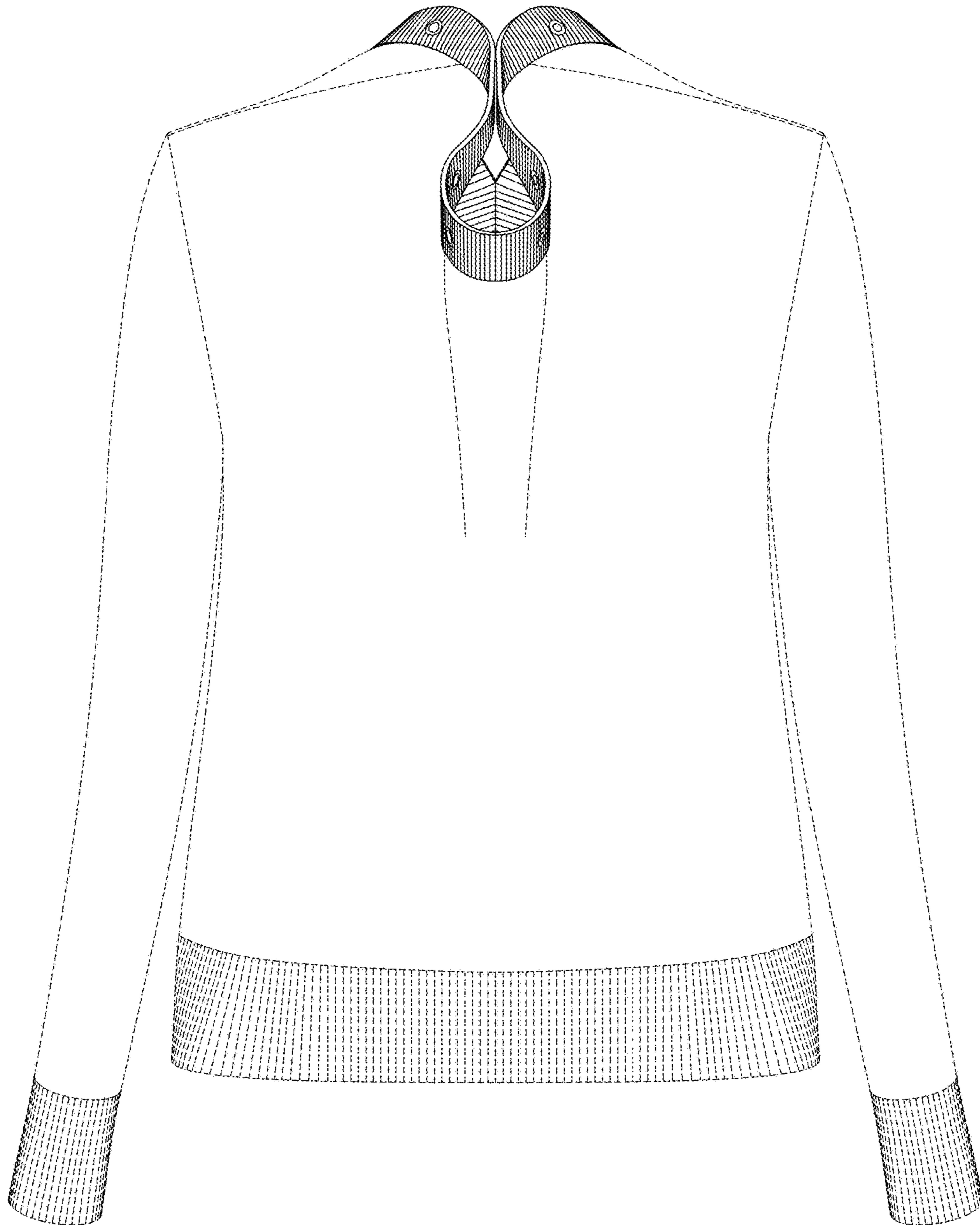


FIG. 4

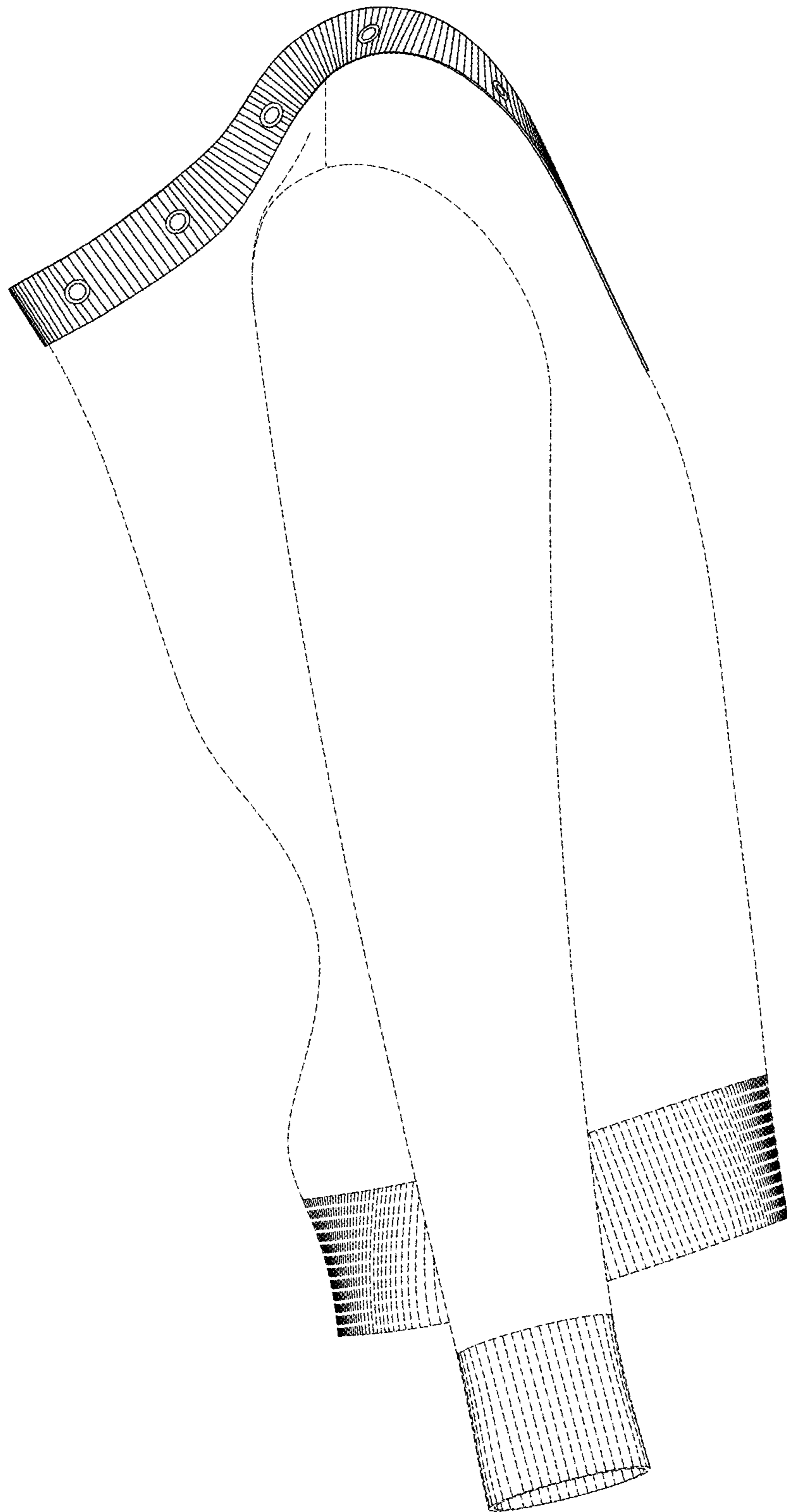


FIG. 5

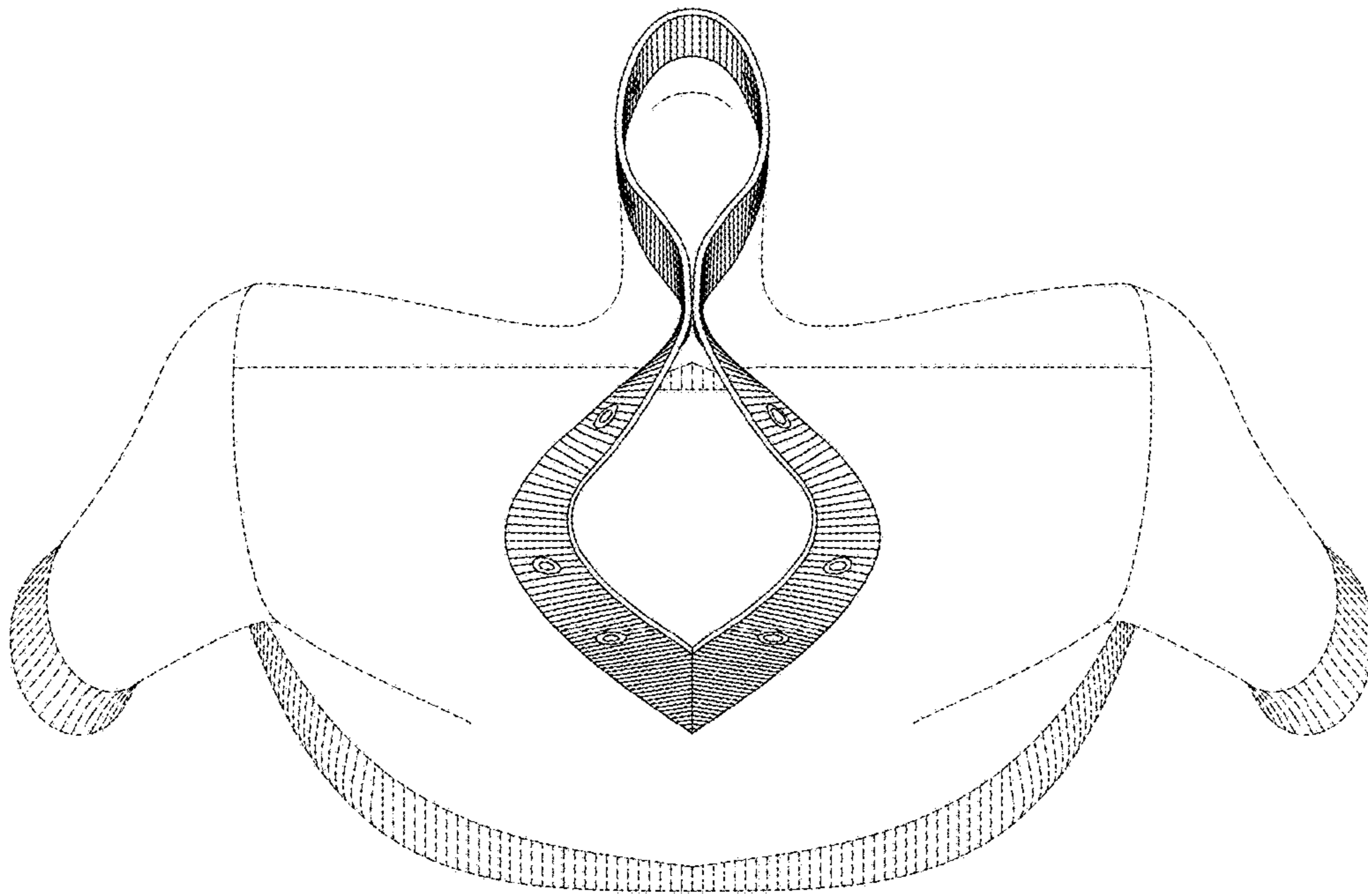


FIG. 6

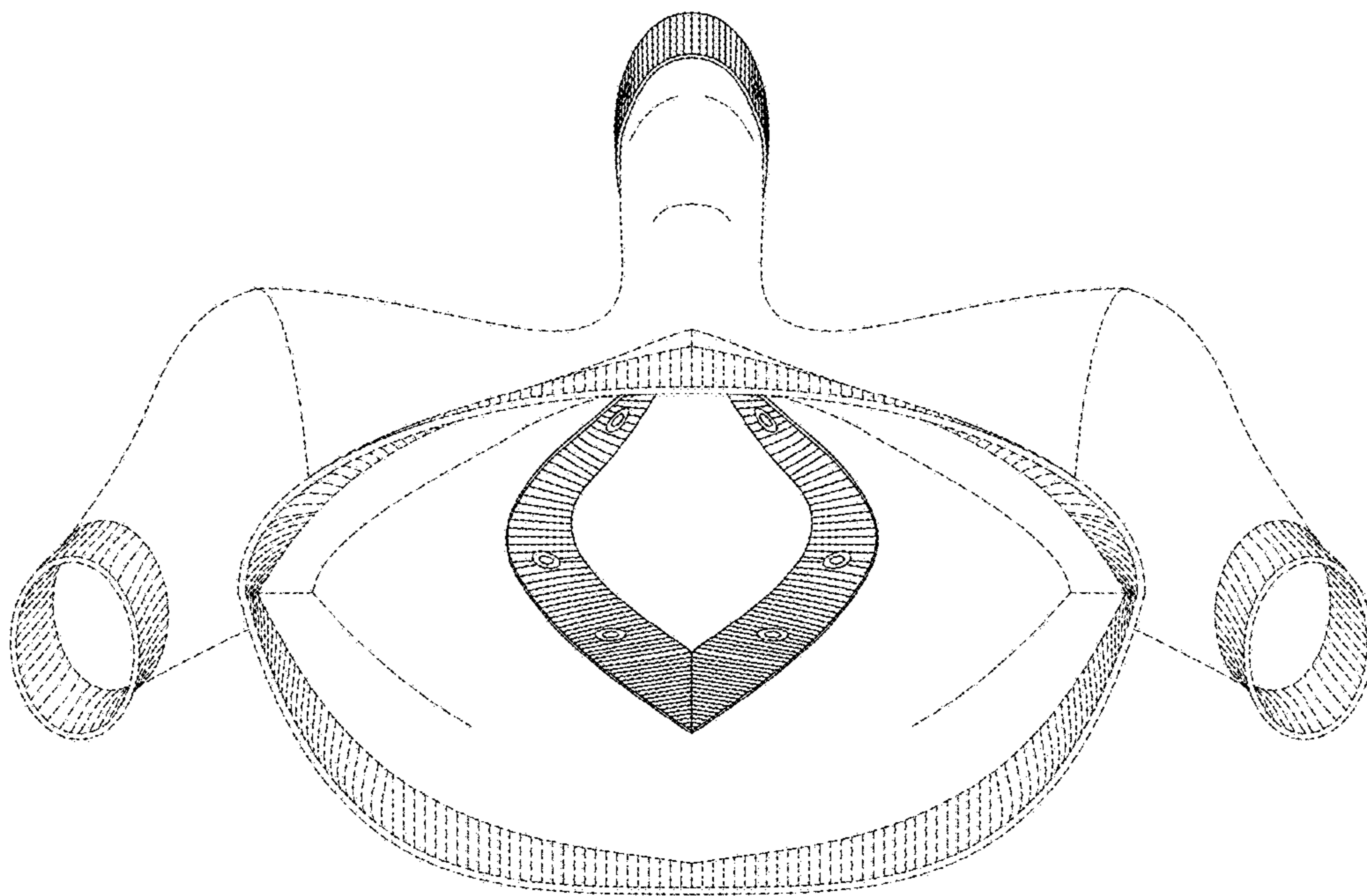


FIG. 7

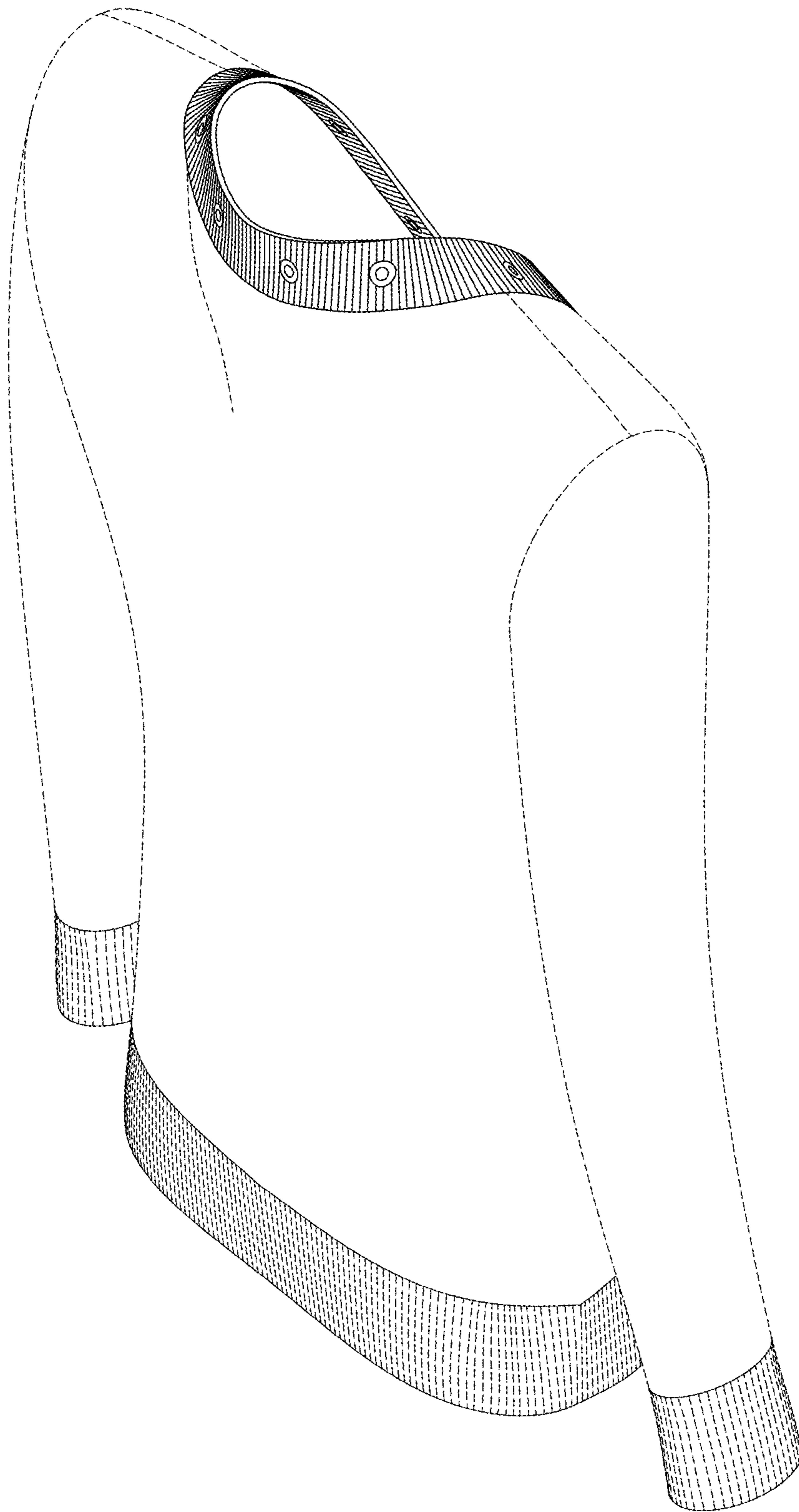


FIG. 8

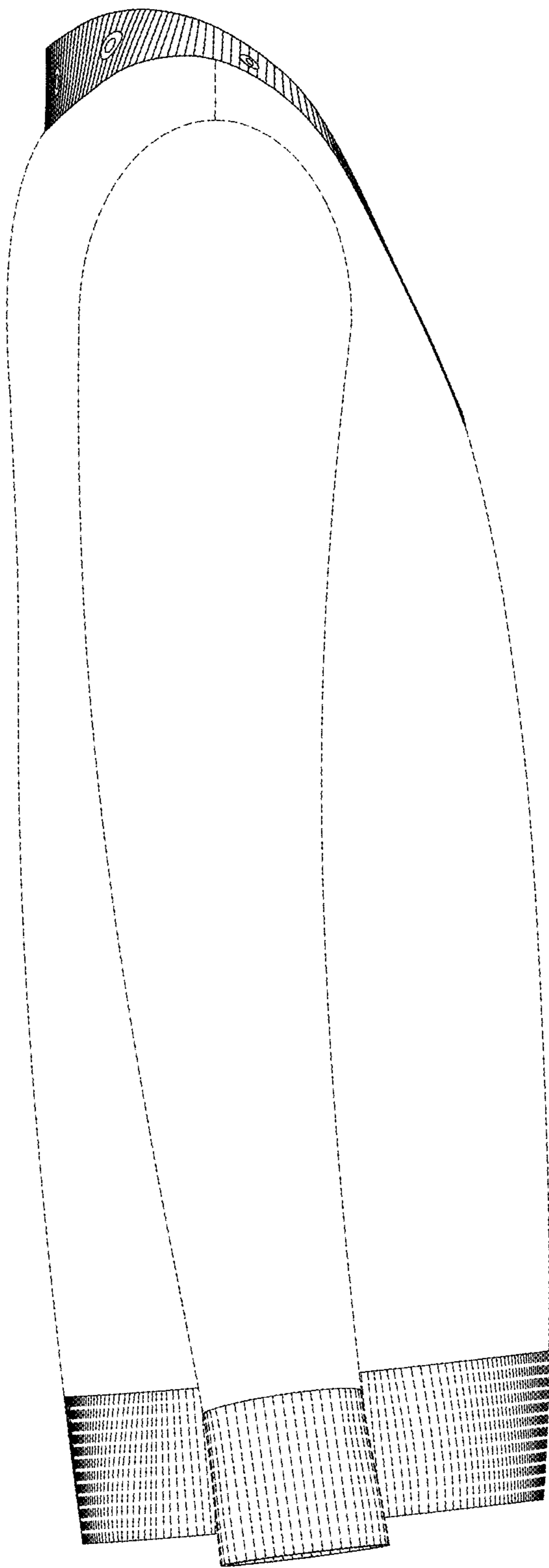


FIG. 9

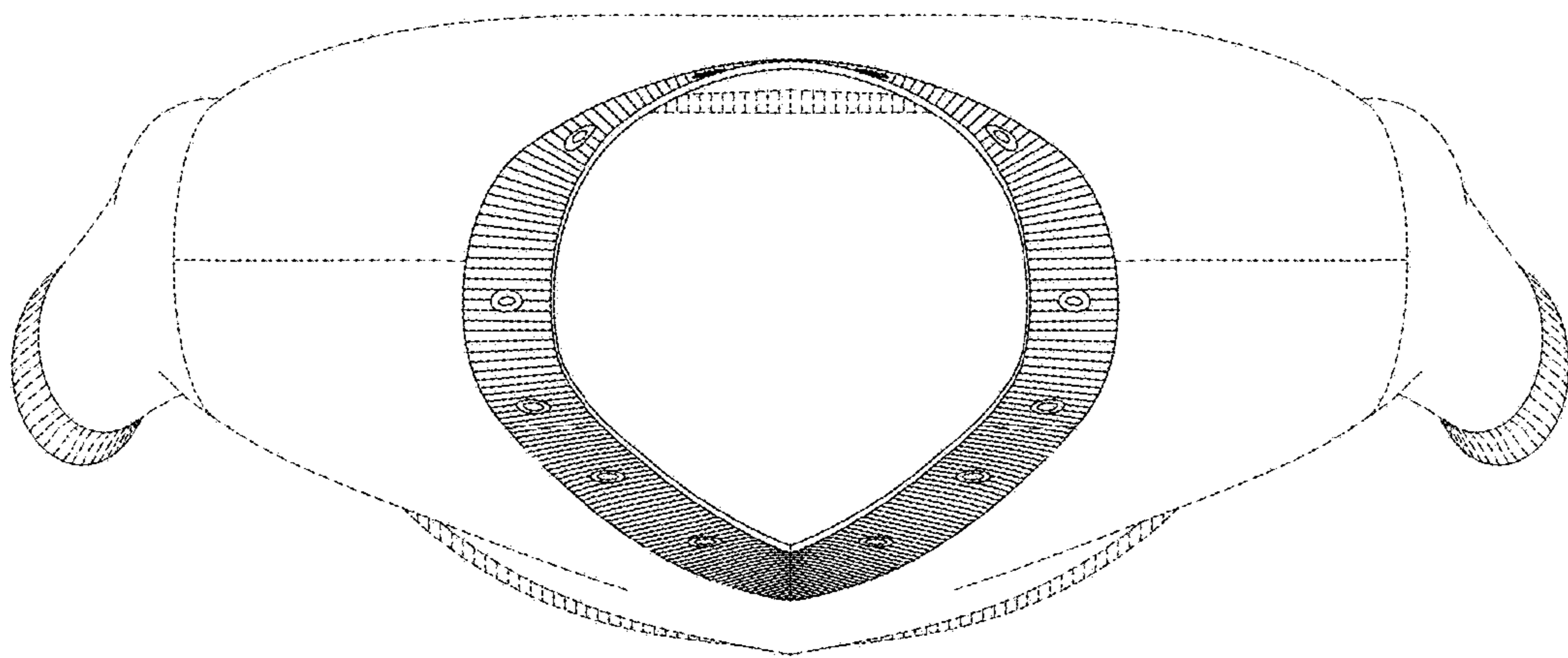


FIG. 10

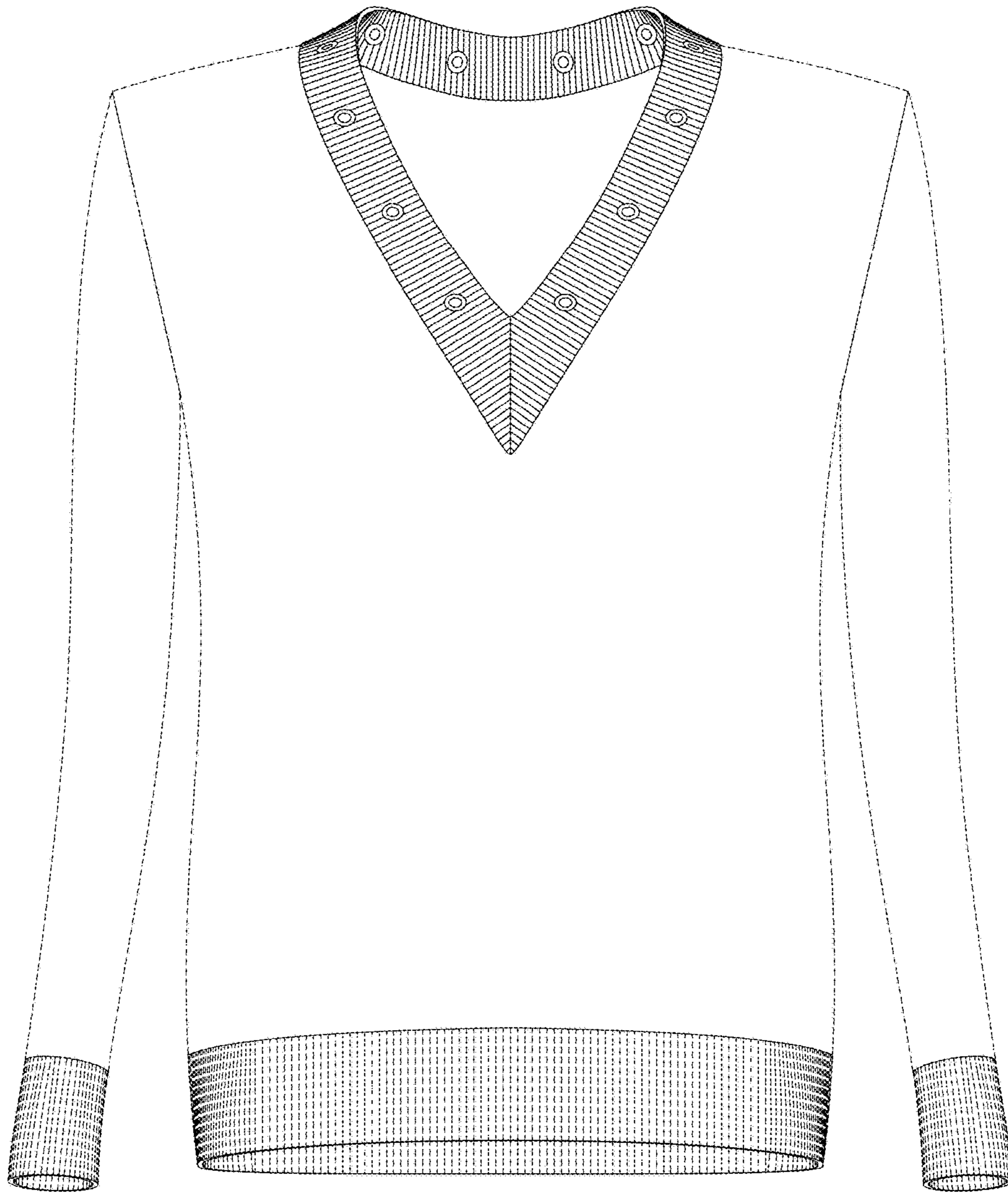


FIG. 11

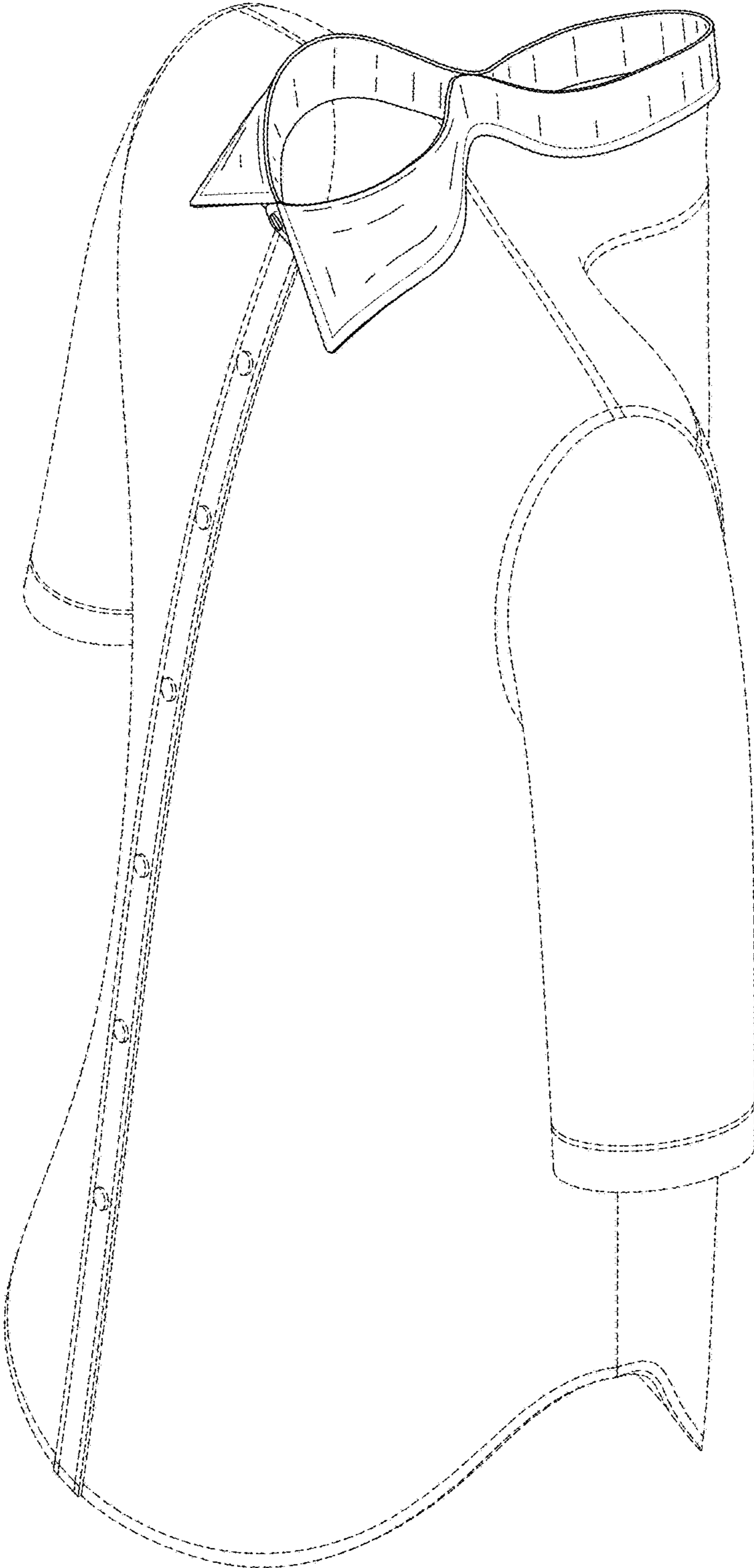


FIG. 12

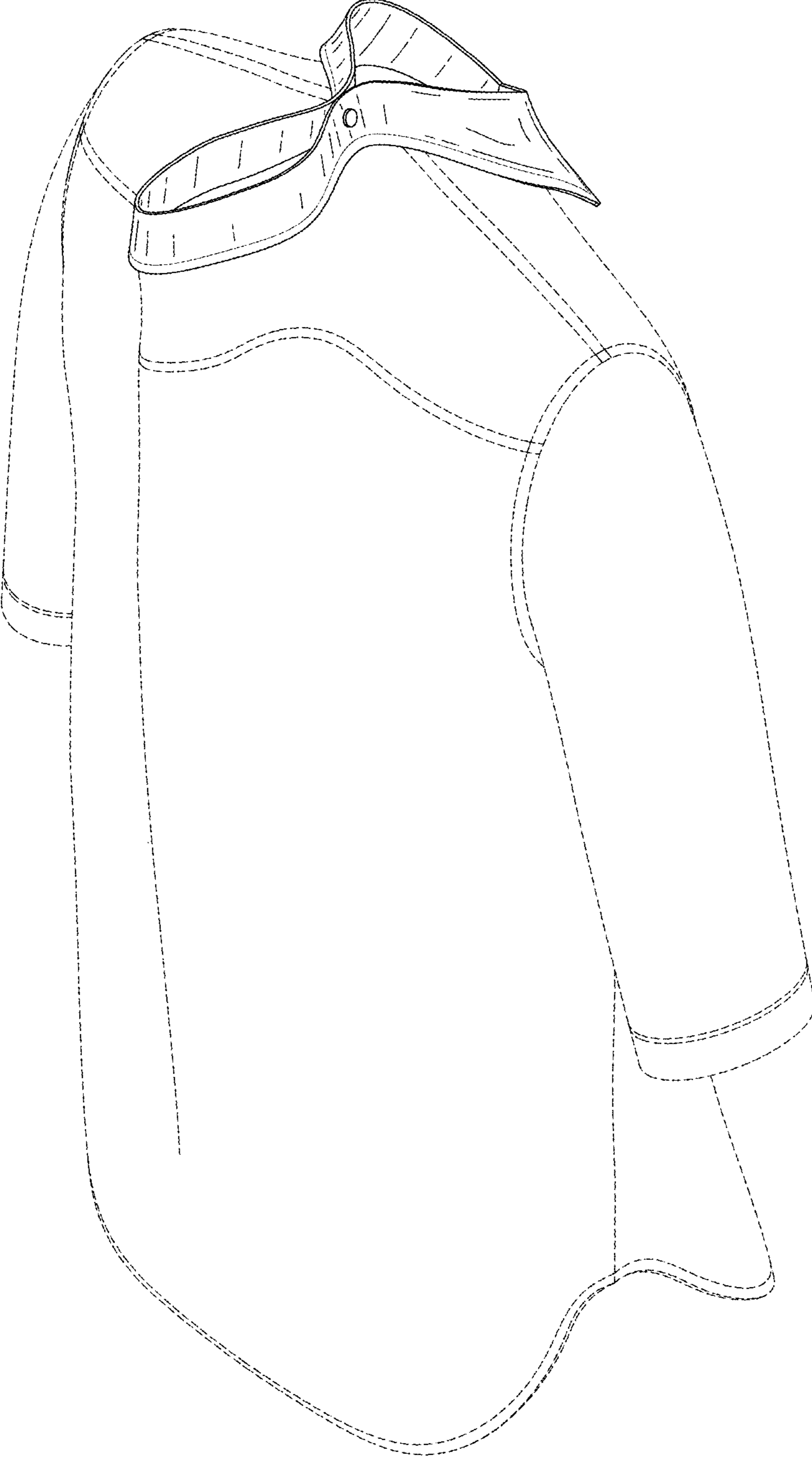


FIG. 13



FIG. 14

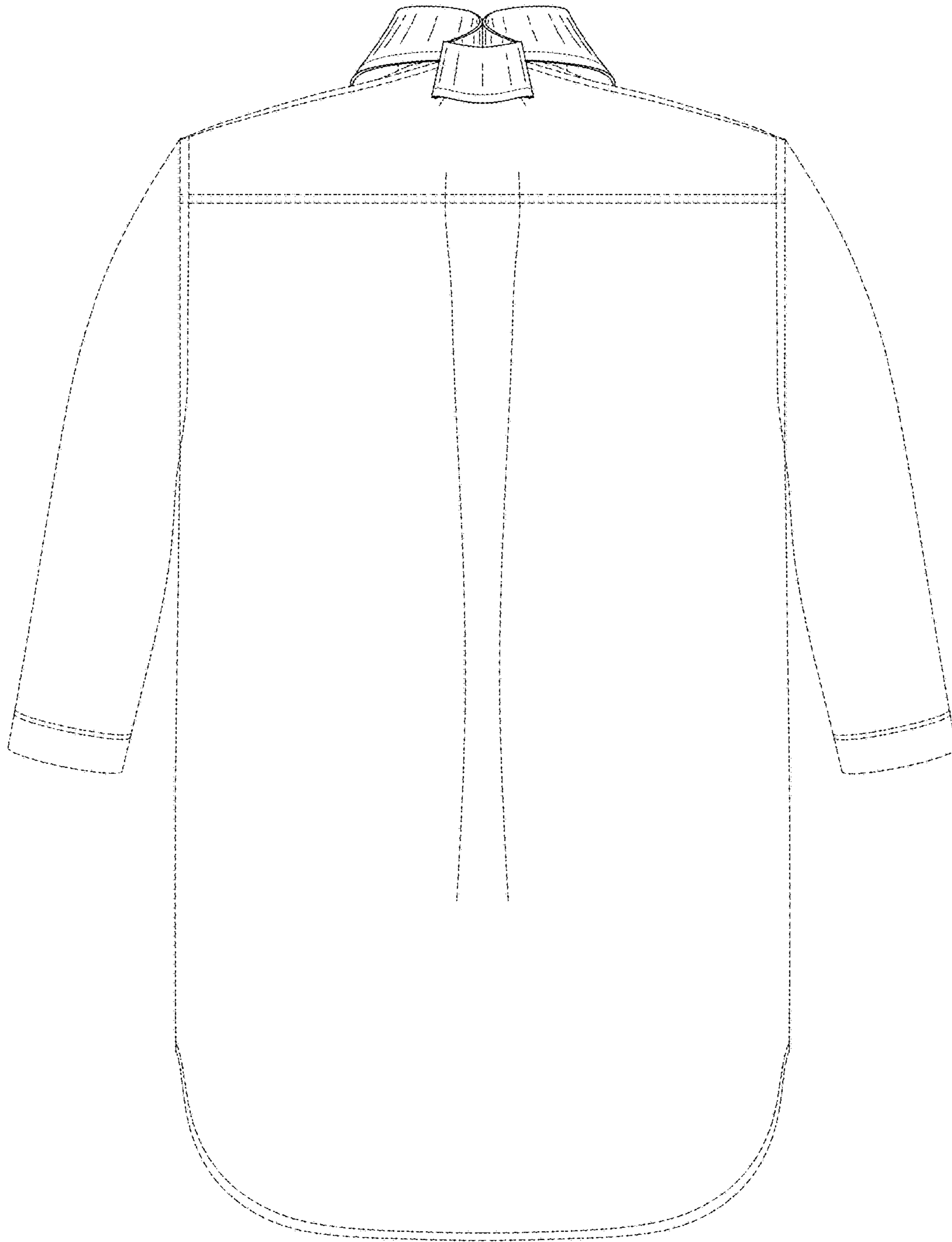


FIG. 15

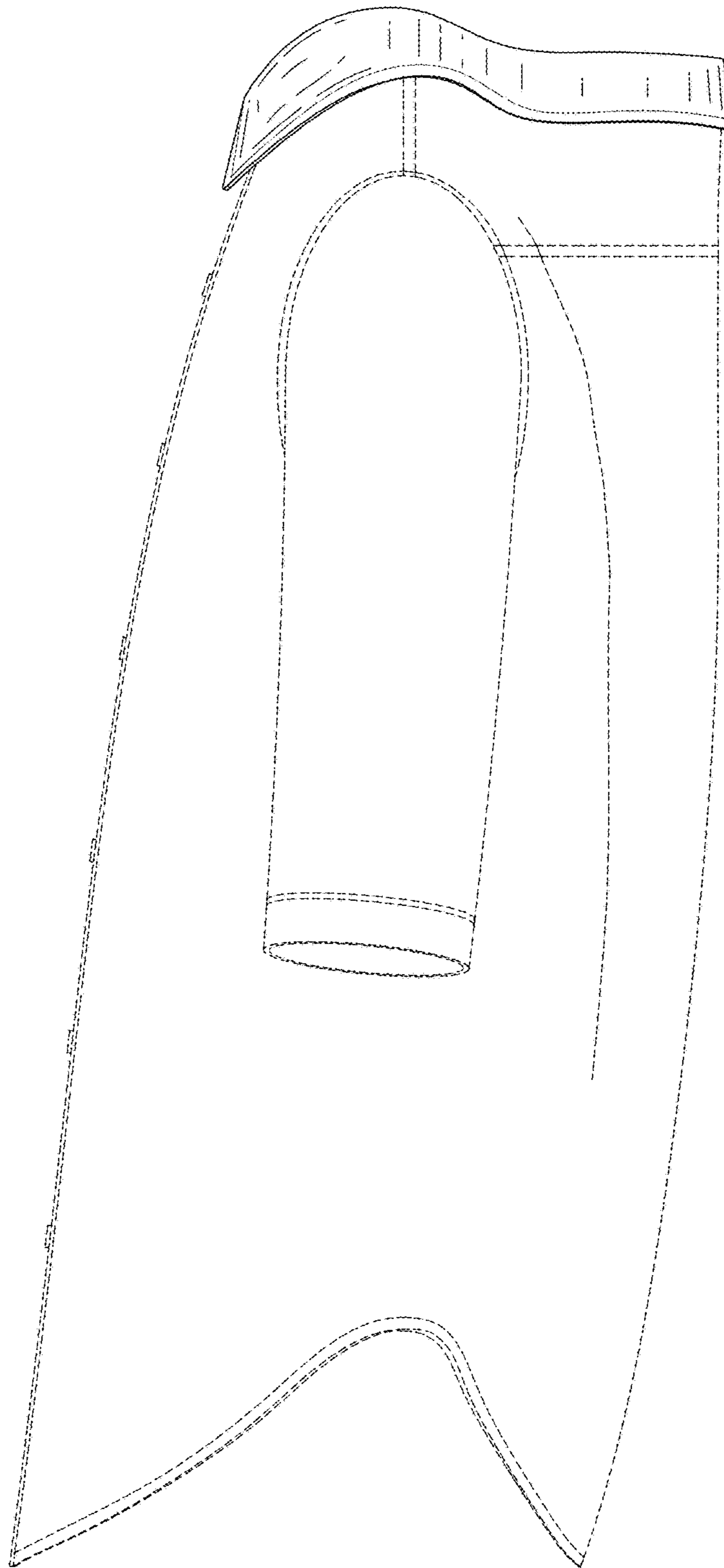


FIG. 16

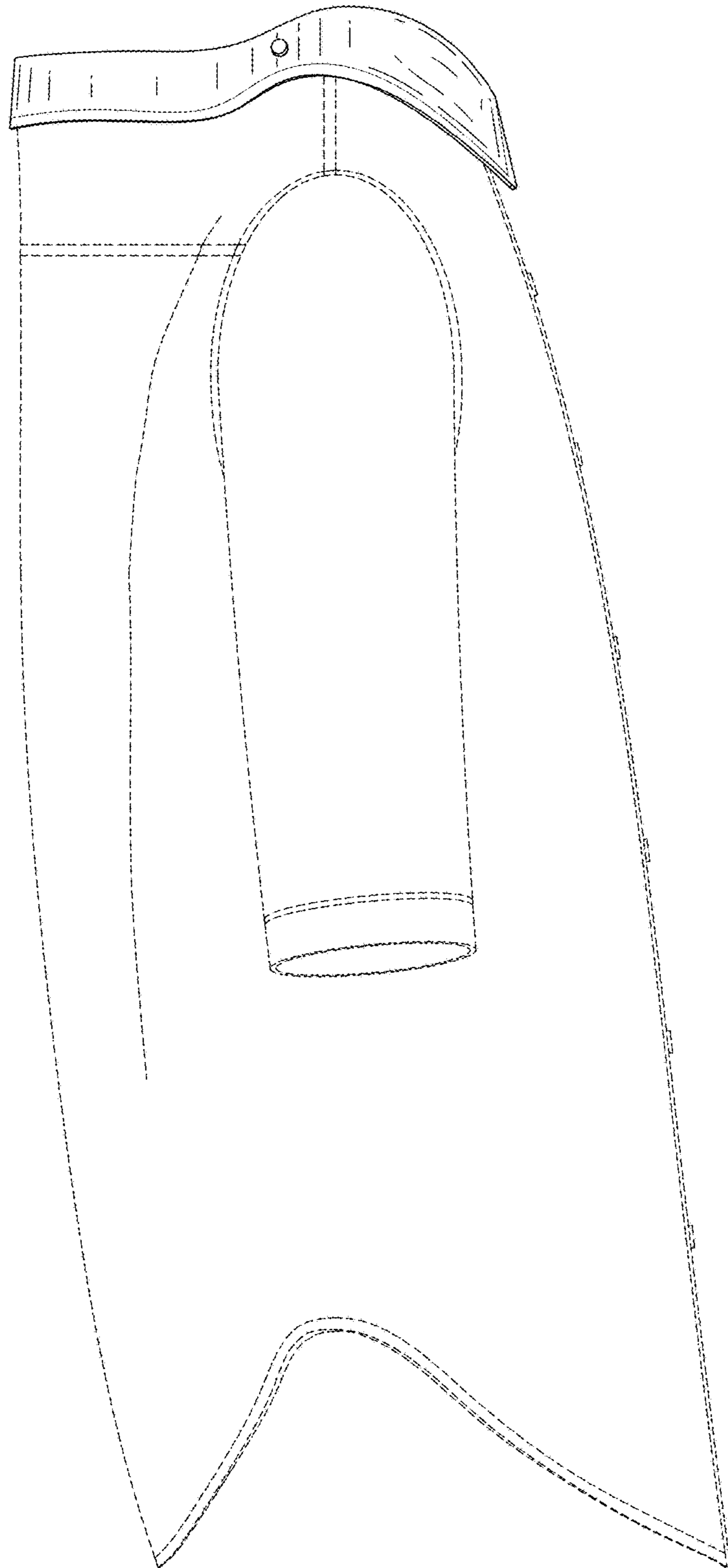


FIG. 17

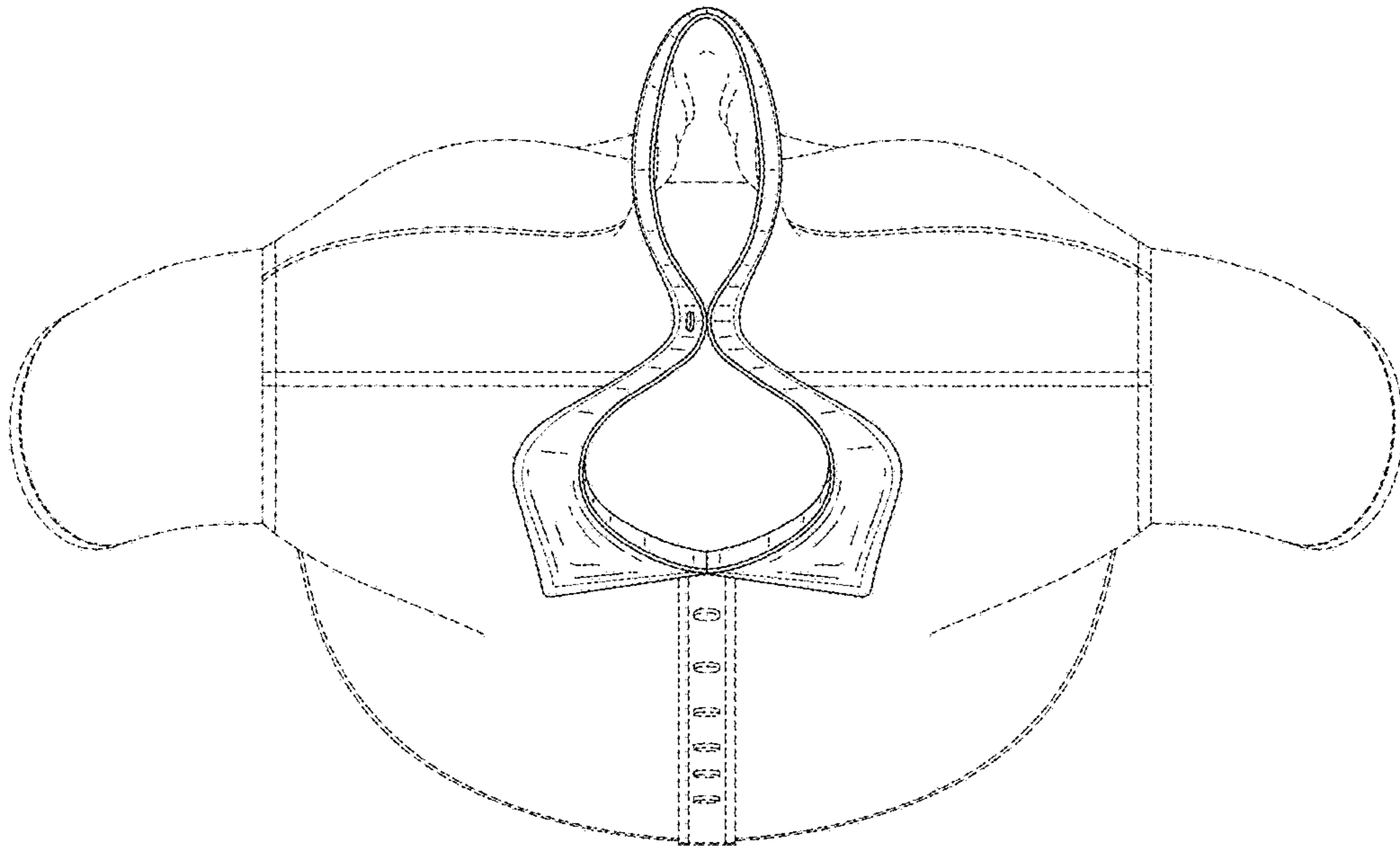


FIG. 18

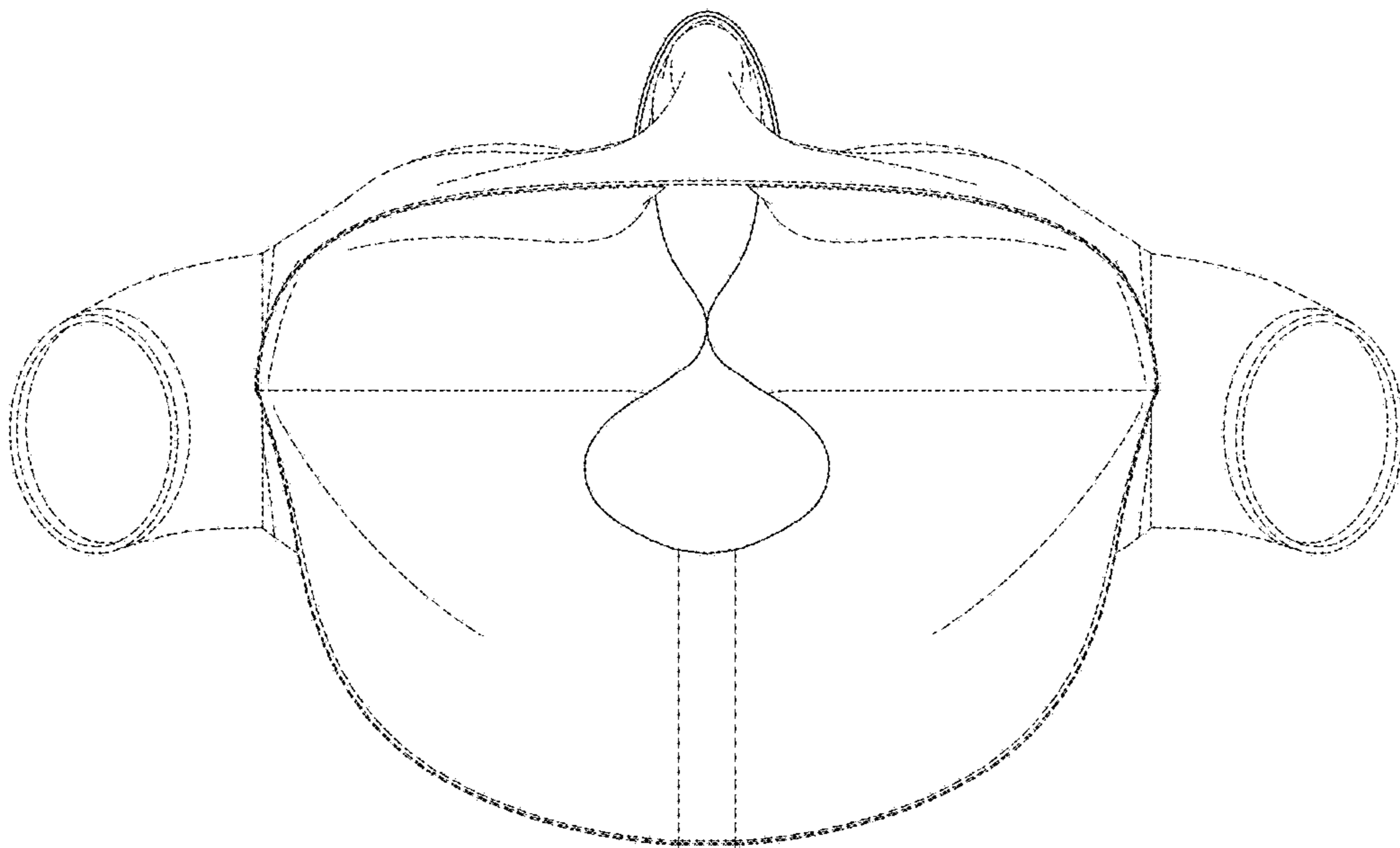


FIG. 19

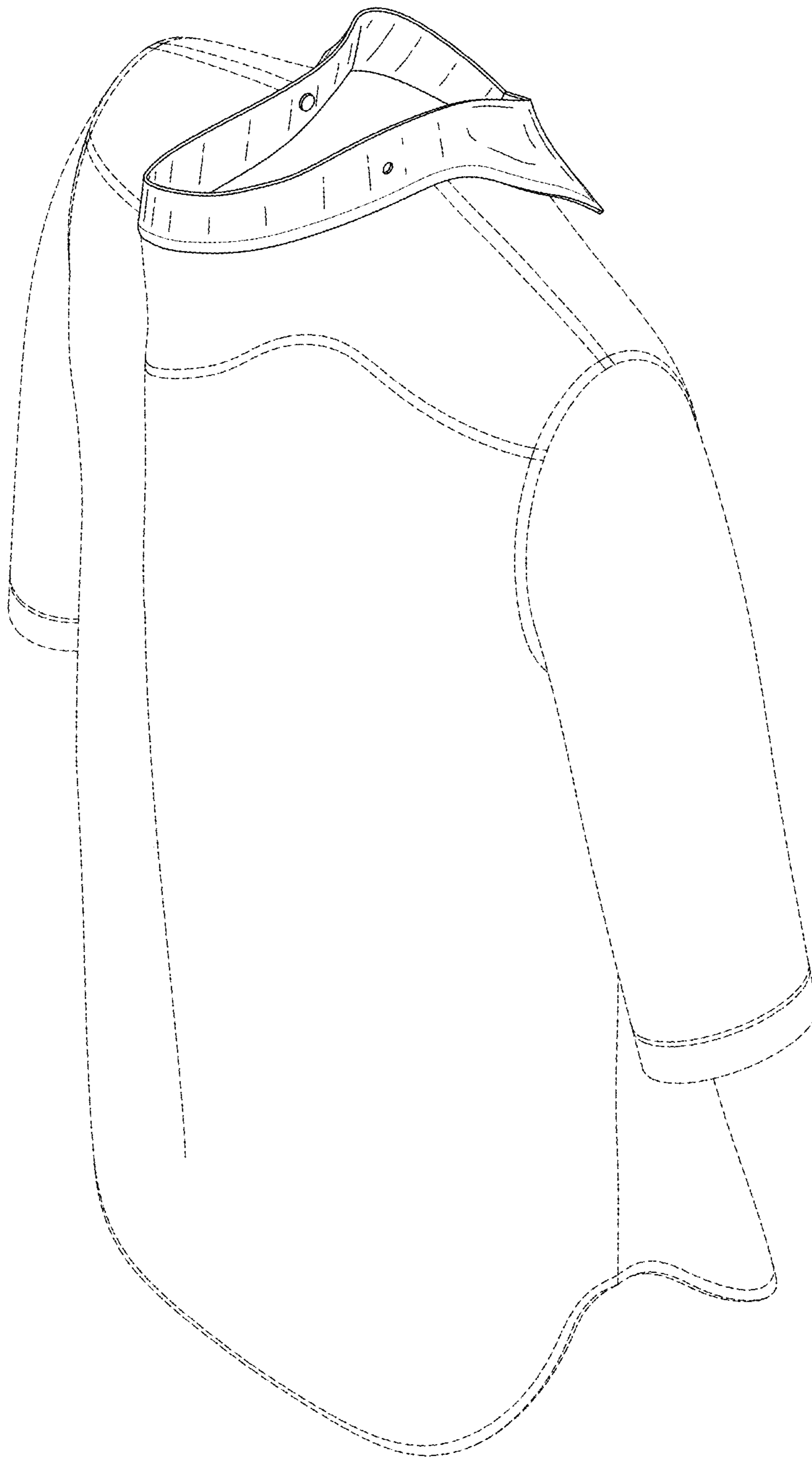


FIG. 20



FIG. 21

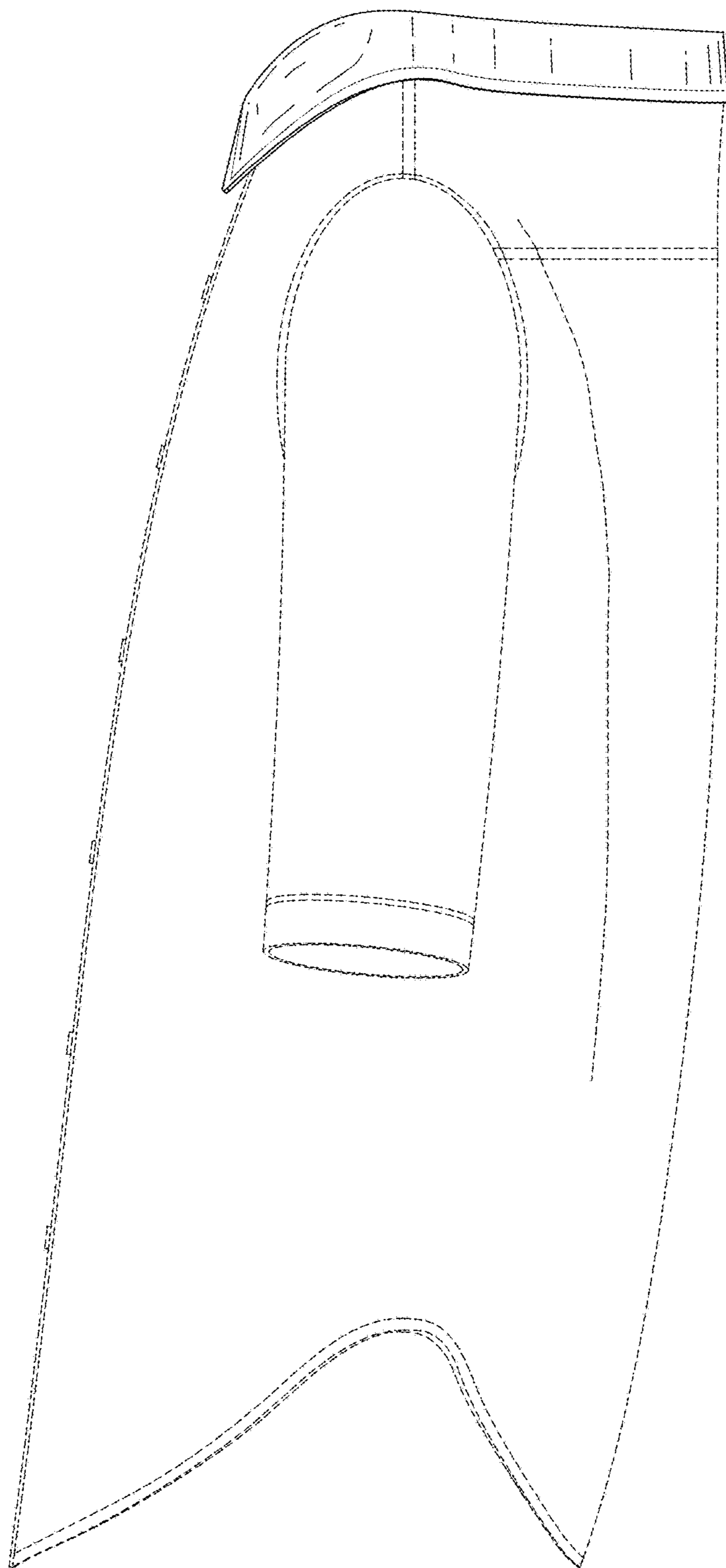


FIG. 22

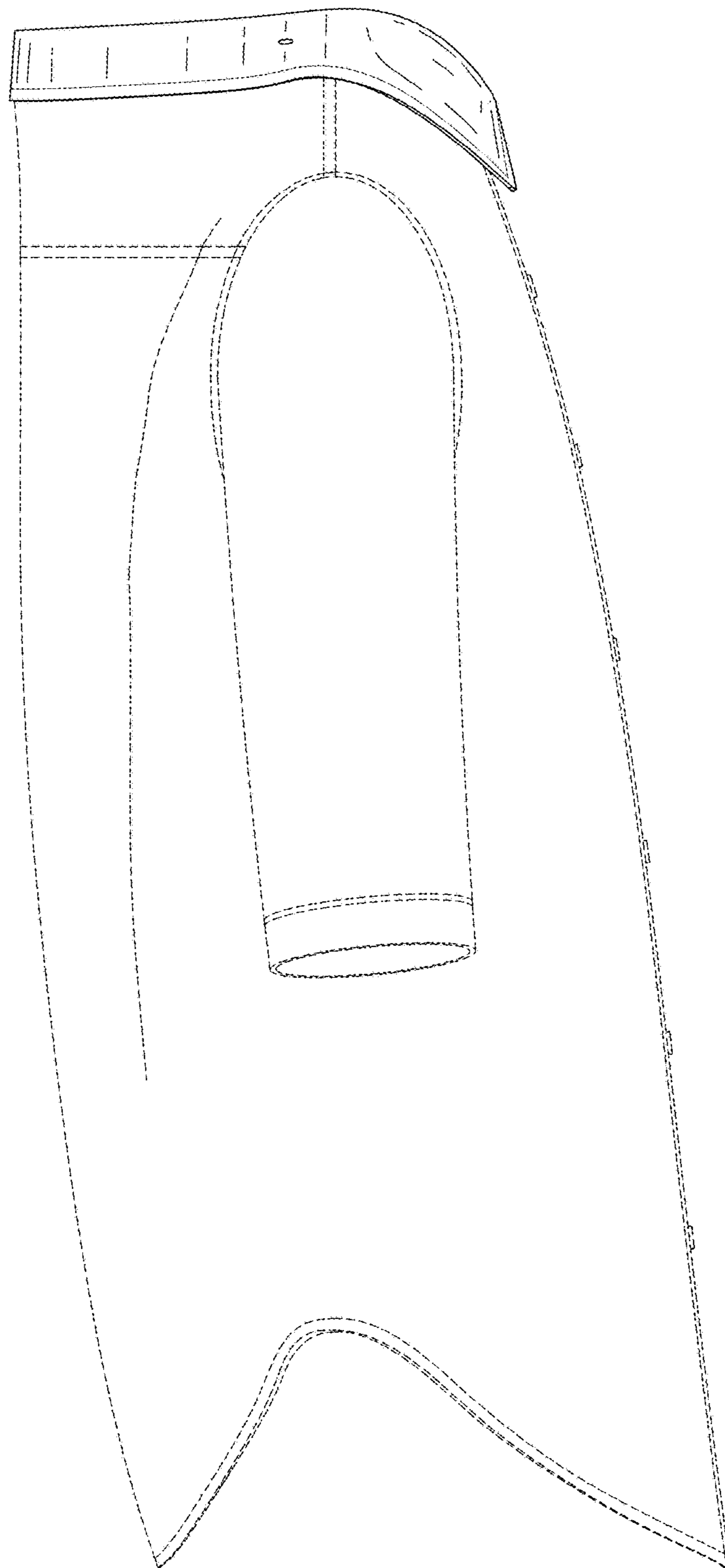


FIG. 23

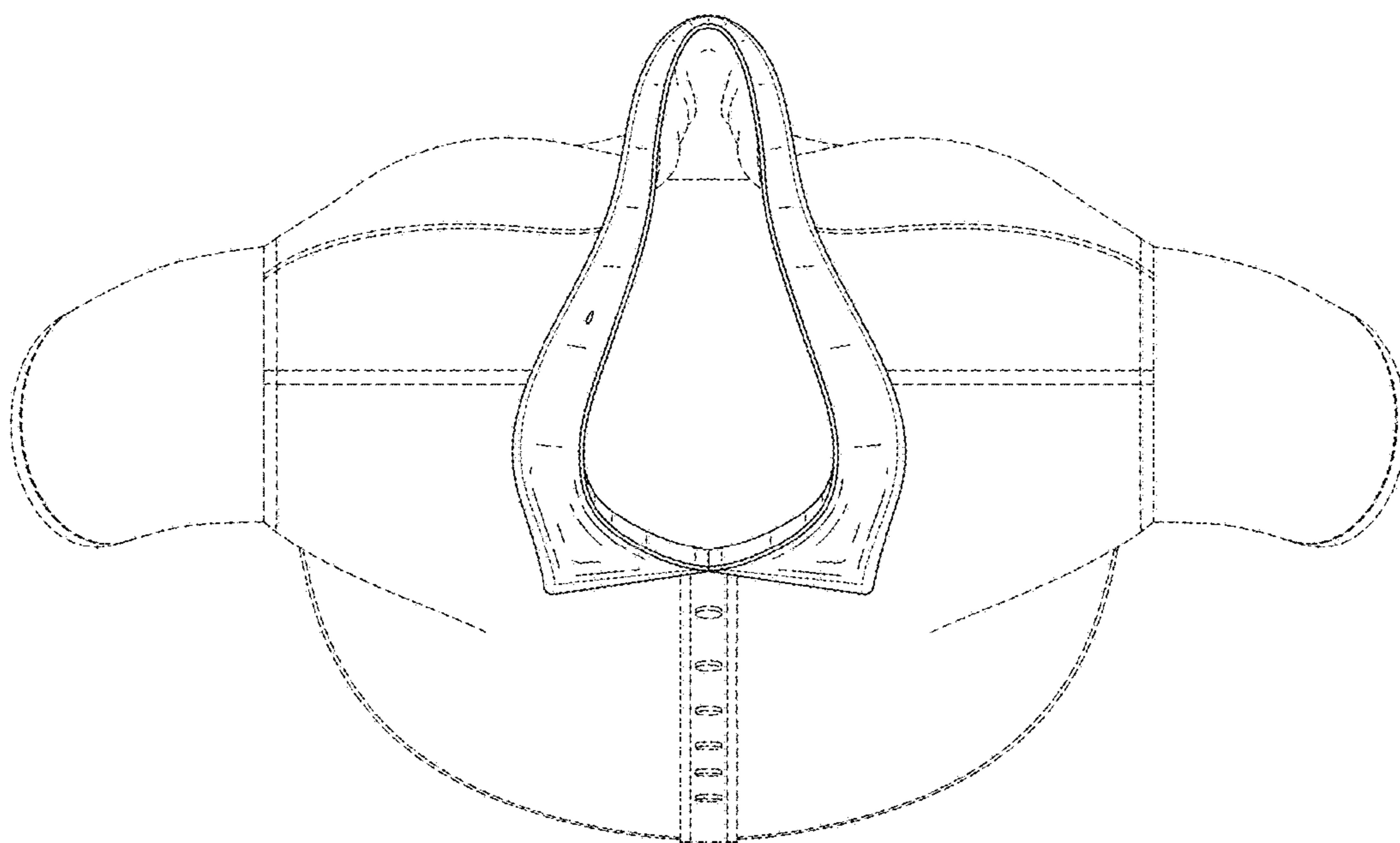


FIG. 24