

US00D824134S

(12) **United States Design Patent** (10) **Patent No.:** **US D824,134 S**  
**Gossen, IV et al.** (45) **Date of Patent:** **\*\* Jul. 24, 2018**

(54) **GIRAFFE COIN BANK**

(71) Applicants: **Joseph Peter Gossen, IV**, Lafayette, LA (US); **Gwendolyn Sandi Gossen**, Lafayette, LA (US)

(72) Inventors: **Joseph Peter Gossen, IV**, Lafayette, LA (US); **Gwendolyn Sandi Gossen**, Lafayette, LA (US)

(\*\*) Term: **15 Years**

(21) Appl. No.: **29/620,502**

(22) Filed: **Jan. 23, 2017**

(51) **LOC (11) Cl.** ..... **99-00**

(52) **U.S. Cl.**  
USPC ..... **D99/37**

(58) **Field of Classification Search**  
USPC ..... D99/28, 34, 35, 36, 37, 38, 40, 43, 99; D9/600, 601, 607; D21/603, 619; 206/0.8, 0.81, 0.815, 0.82, 0.83, 0.84, 206/527; 109/1 V, 1 R, 2, 45, 58, 59 R  
CPC ..... E05B 65/0075; E05G 1/00; E05G 1/005; E05G 1/024; E05G 2700/00; E05G 2700/02; A45C 1/12; A45C 2001/125; G07D 11/0006; G07D 11/0009; G07D 11/00; G07D 9/00; G07D 9/002; G07D 9/004; G07D 9/02; G07F 9/06; G07F 9/08; G07F 11/00  
See application file for complete search history.

3,135,566 A \* 6/1964 Frank ..... G07D 9/004  
206/0.82

D206,182 S \* 11/1966 Kopas ..... D99/34  
D206,272 S \* 11/1966 Gershen ..... D21/585  
3,312,336 A \* 4/1967 Fally ..... G07D 9/004  
206/0.82

D208,873 S \* 10/1967 Skuplen ..... D7/507  
D262,324 S \* 12/1981 Erkelenz ..... D99/38  
D282,248 S \* 1/1986 Carbajales  
Santa-Eulalia ..... D11/158

D291,687 S \* 9/1987 Wolfe ..... D12/316  
D291,716 S \* 9/1987 Wolfe ..... D21/619  
4,871,055 A \* 10/1989 Poythress ..... G07F 17/3213  
194/344

4,878,867 A \* 11/1989 Dworman ..... A45C 1/12  
206/0.815

D334,455 S \* 3/1993 Dworman ..... D99/37  
D356,424 S \* 3/1995 August ..... D99/37  
D356,425 S \* 3/1995 August ..... D99/37  
D356,426 S \* 3/1995 August ..... D99/37  
D356,427 S \* 3/1995 August ..... D99/37  
D358,016 S \* 5/1995 August ..... D99/37  
D388,479 S \* 12/1997 Allegre ..... D21/619

(Continued)

Primary Examiner — Elizabeth J Oswecki

(57) **CLAIM**

The ornamental design for a giraffe coin bank, as shown and described.

**DESCRIPTION**

FIG. 1 is a perspective view of a giraffe coin bank, showing our new design;  
 FIG. 2 is a front elevation view thereof;  
 FIG. 3 is a rear elevation view thereof;  
 FIG. 4 is a left side elevation view thereof;  
 FIG. 5 is a right side elevation view thereof;  
 FIG. 6 is a top plan view thereof; and,  
 FIG. 7 is a bottom plan view thereof.  
 The broken lines shown in the drawings represent portions of the giraffe coin bank that form no part of the claimed design.

**1 Claim, 7 Drawing Sheets**

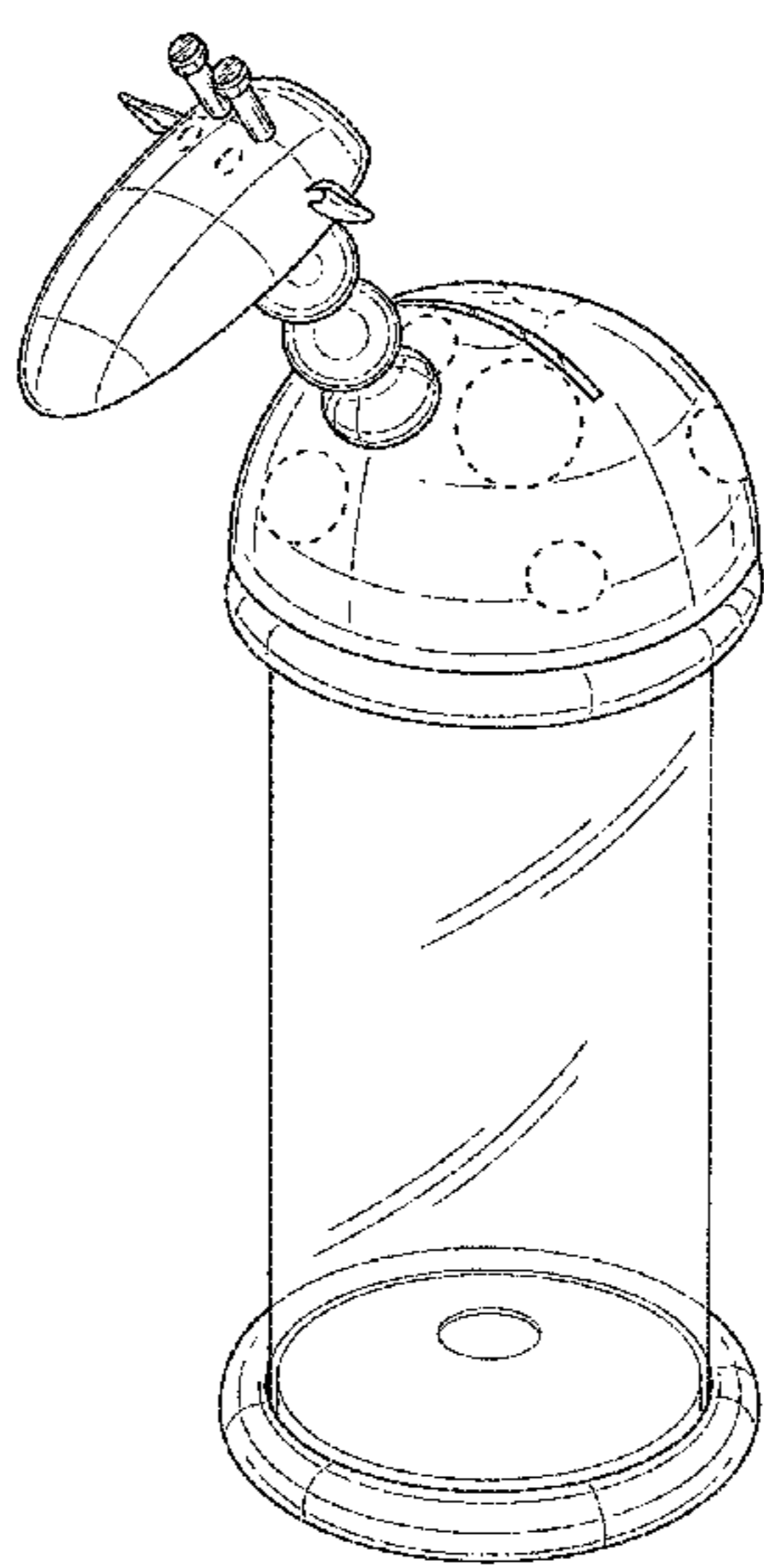
(56) **References Cited**

U.S. PATENT DOCUMENTS

423,276 A \* 3/1890 Rech, Jr. .... A45C 1/12  
232/4 R

2,218,431 A \* 10/1940 McGee ..... A45C 1/12  
232/4 R

2,421,279 A \* 5/1947 Marty ..... A63H 7/00  
446/331



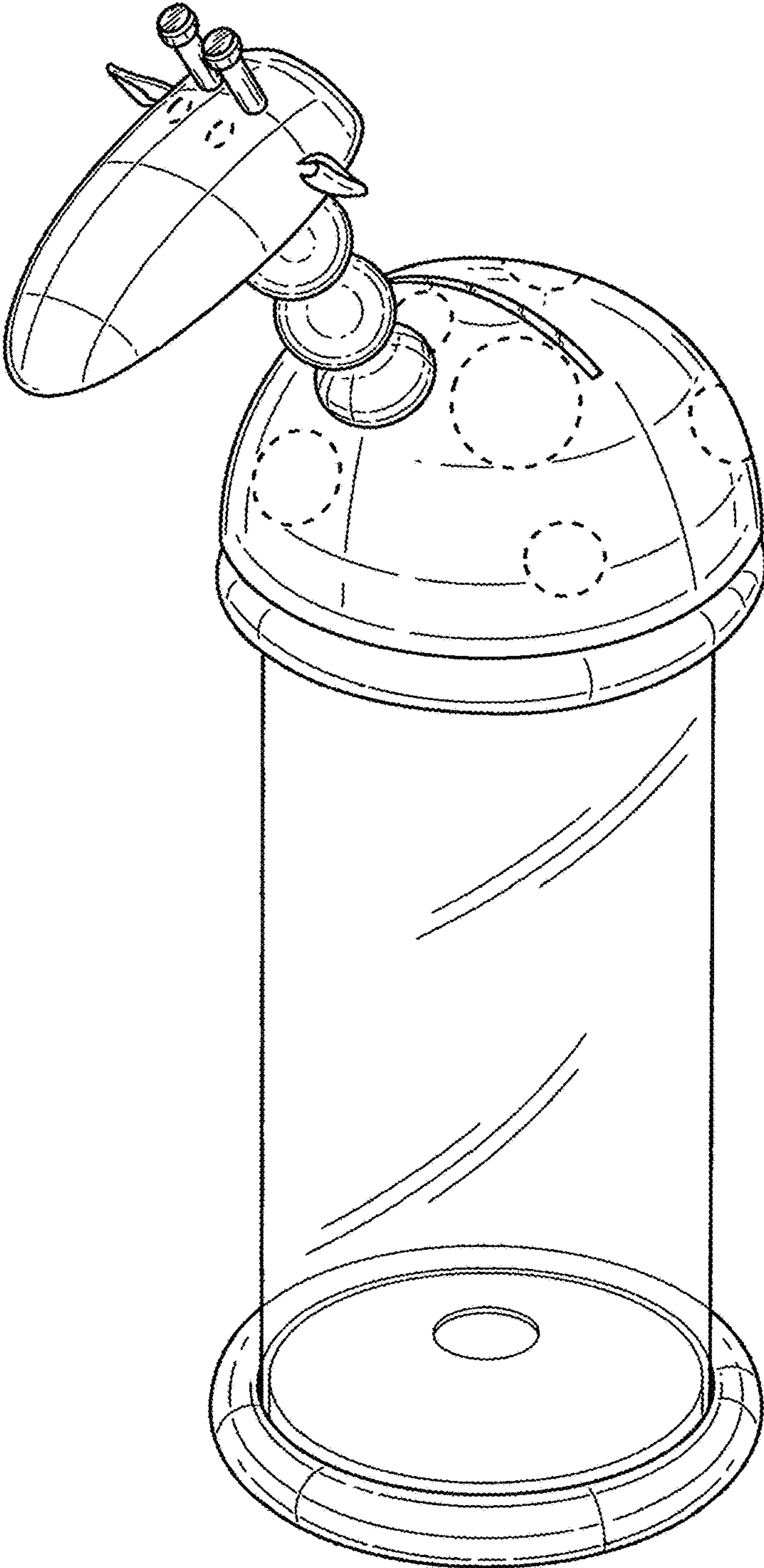
(56)

**References Cited**

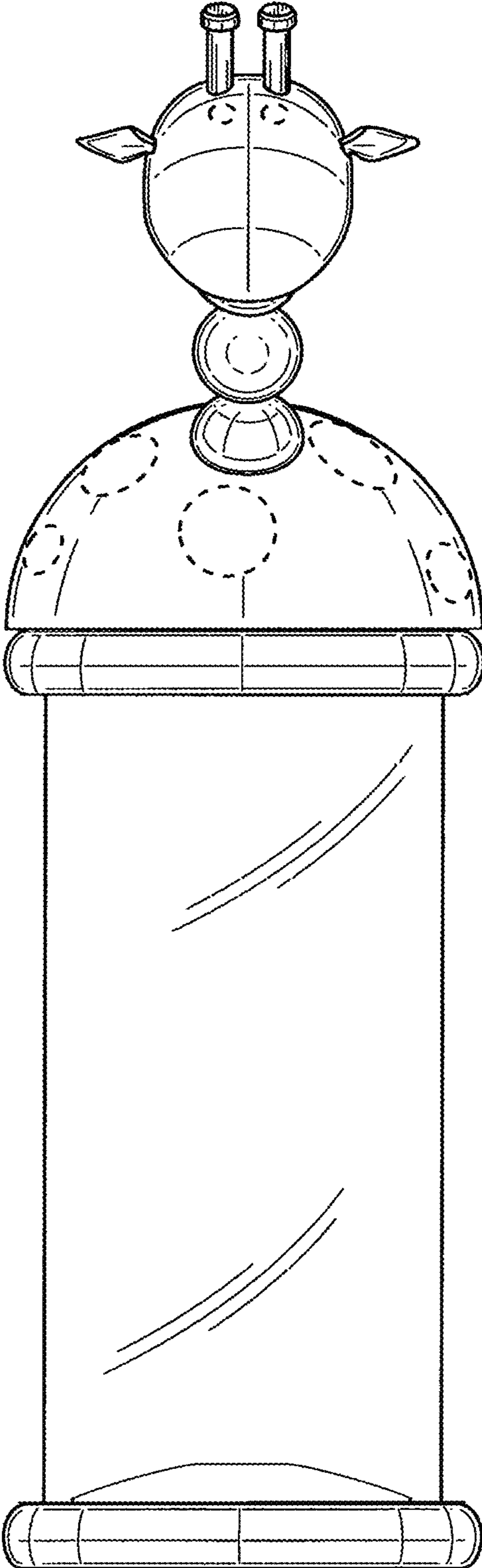
U.S. PATENT DOCUMENTS

D390,000	S	*	2/1998	Savas .....	D3/208
D416,660	S	*	11/1999	Lin .....	D23/226
D441,172	S	*	4/2001	Snyder .....	D99/35
D443,126	S	*	5/2001	Reviea .....	D99/34
D455,887	S	*	4/2002	Yu .....	D99/37
D462,500	S	*	9/2002	Perkitny .....	D99/37
D470,992	S	*	2/2003	Perkitny .....	D99/37
D491,335	S	*	6/2004	Nwadike .....	D99/34
D492,084	S	*	6/2004	Wilson .....	D99/37
D519,166	S	*	4/2006	Chuang .....	D21/479
D546,061	S	*	7/2007	Jhuang .....	D21/611
D554,432	S	*	11/2007	Roth .....	D7/510
D621,575	S	*	8/2010	Grossi .....	D99/37
D631,635	S	*	1/2011	Tuli .....	D99/37
D688,746	S	*	8/2013	Hung .....	D19/86
2004/0124099	A1	*	7/2004	Fields .....	A45C 1/02 206/0.815

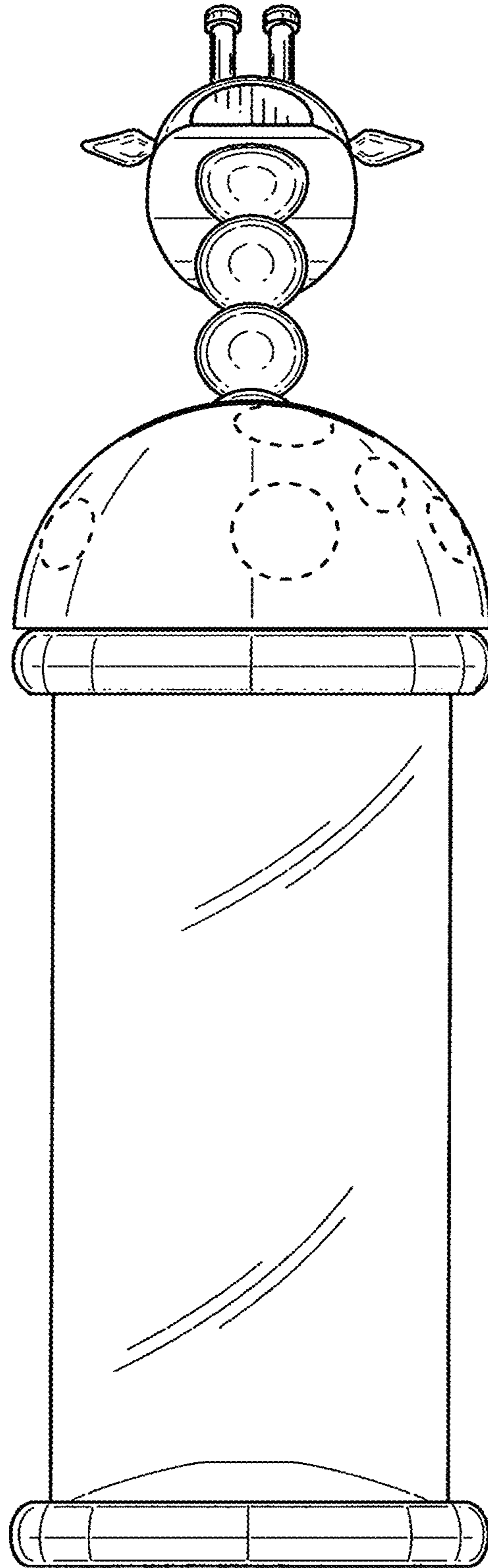
\* cited by examiner



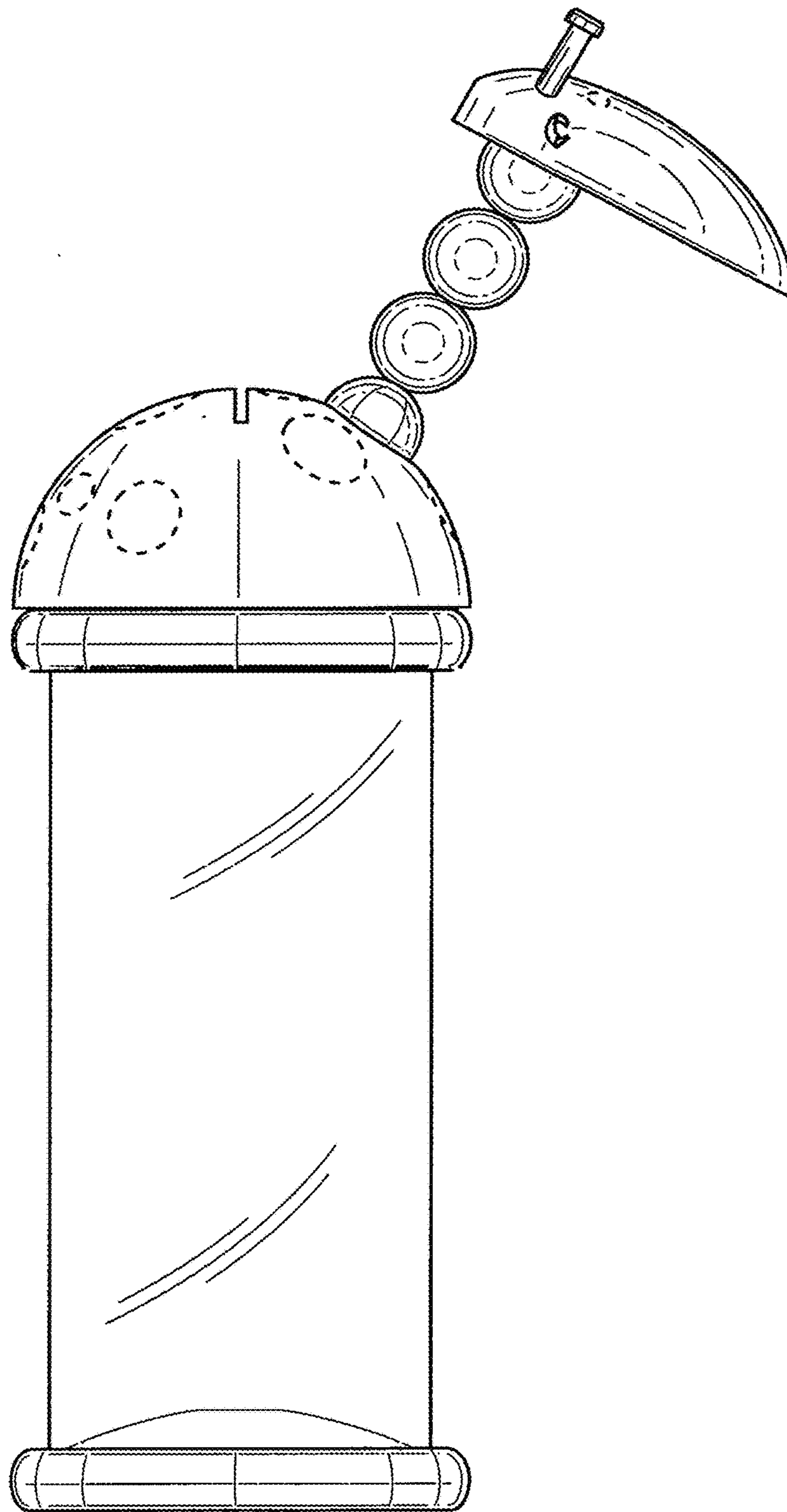
**FIG. 1**



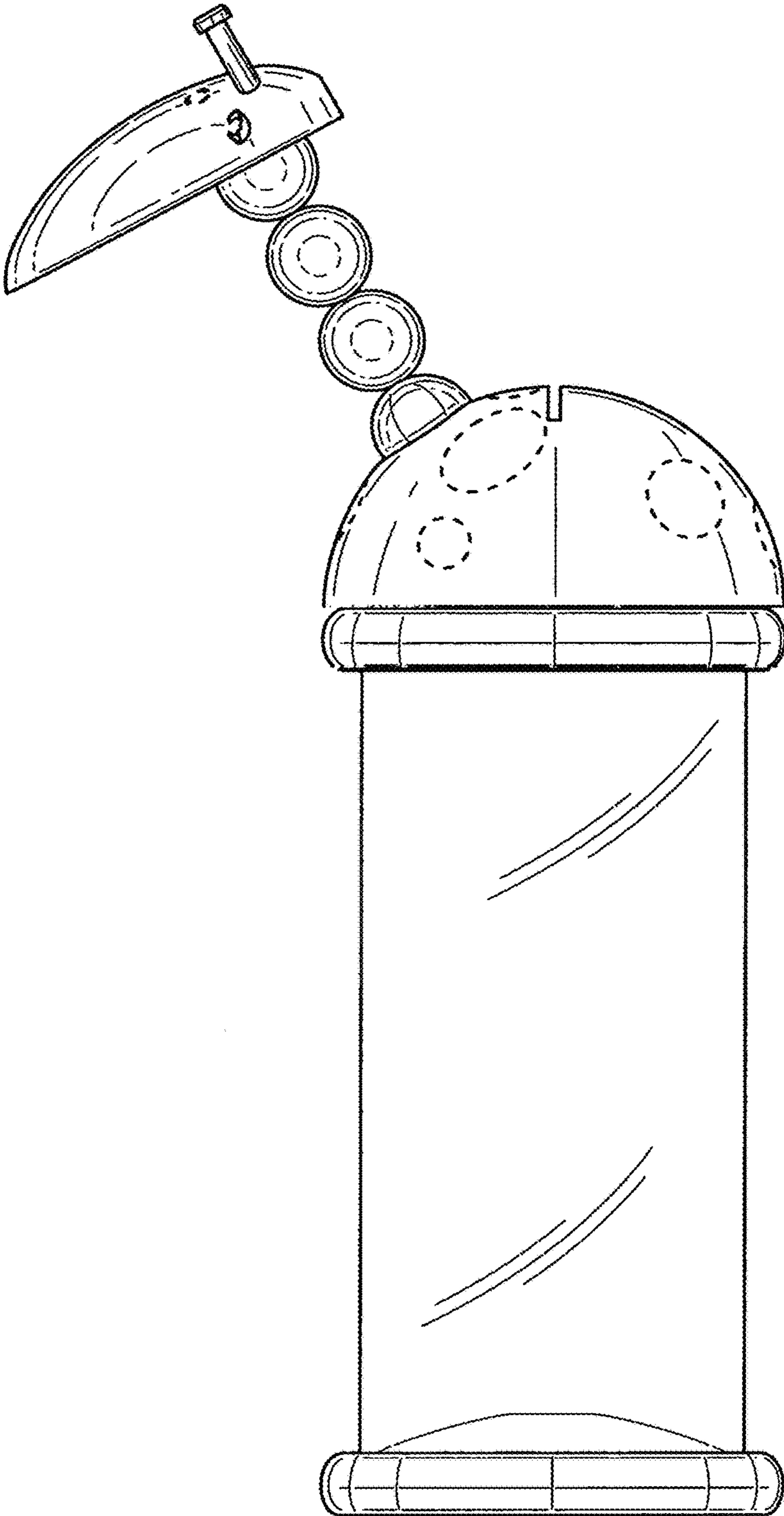
**FIG. 2**



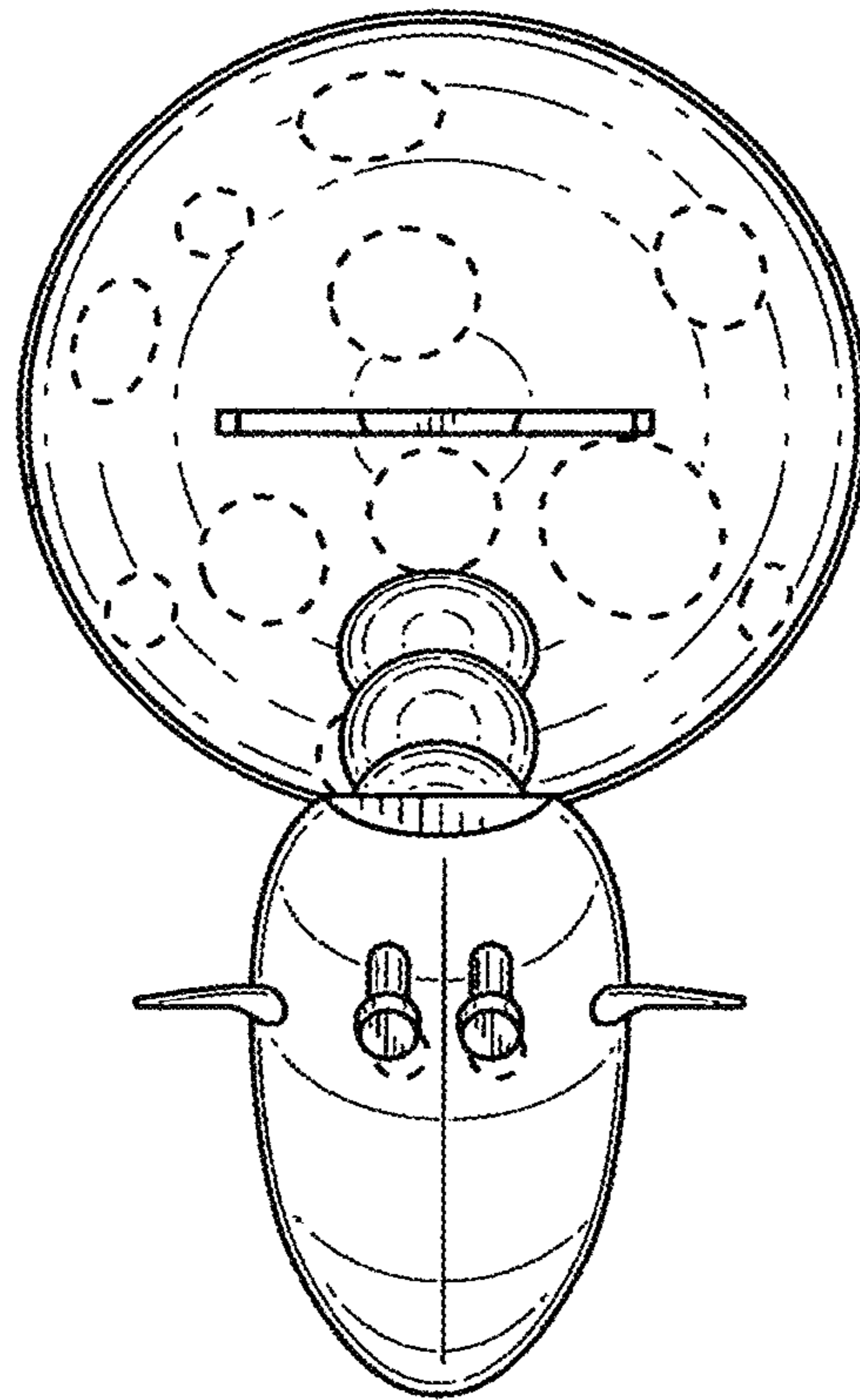
**FIG. 3**



**FIG. 4**

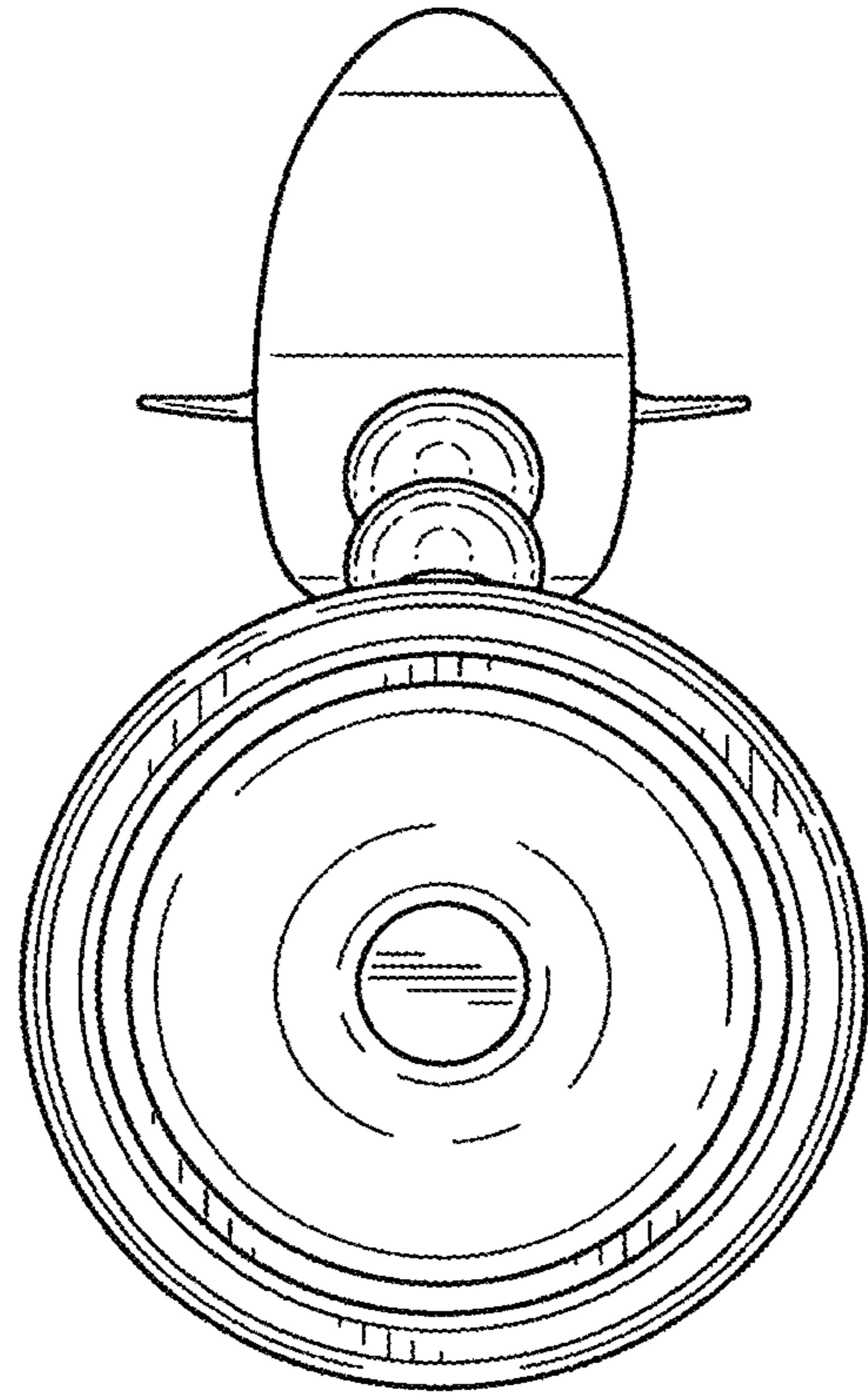


**FIG. 5**



**FIG. 6**





**FIG. 7**