



US00D824132S

(12) **United States Design Patent**  
**Shao**

(10) **Patent No.:** **US D824,132 S**  
(45) **Date of Patent:** **\*\* Jul. 24, 2018**

- (54) **AUTOMOBILE LIFTING JACK**
- (71) Applicant: **Zhejiang Zhongxing Machinery Manufacturing Co., Ltd.**, Jiaxing, Zhejiang (CN)
- (72) Inventor: **Weizhong Shao**, Zhejiang (CN)
- (73) Assignee: **Zhejiang Zhongxing Machinery Manufacturing Co., Ltd.** (CN)
- (\*\*) Term: **15 Years**
- (21) Appl. No.: **29/591,570**
- (22) Filed: **Jan. 20, 2017**
- (51) **LOC (11) Cl.** ..... **12-05**
- (52) **U.S. Cl.**  
USPC ..... **D34/31**
- (58) **Field of Classification Search**  
USPC ..... D34/28, 31, 33, 34, 35, 36, 23; 280/429, 280/426, 428, 427, 79.4; 187/204, 207, 187/79.4  
CPC ..... B66F 7/28; B66F 7/06; B66F 7/12; B60S 9/08; B60S 9/14  
See application file for complete search history.

6,789,994 B2 *	9/2004	Tortellier	.....	B60B 29/002	414/426
7,097,406 B1 *	8/2006	Gang	.....	B60B 29/002	280/79.4
D532,575 S *	11/2006	Oberg	.....	D34/23	
9,102,344 B2 *	8/2015	Heinz	.....	B62B 3/02	
2003/0091416 A1 *	5/2003	Tortellier	.....	B60B 29/002	414/426
2008/0101898 A1 *	5/2008	Hernandez	.....	B60B 29/002	414/426

**OTHER PUBLICATIONS**

“Jack, www.DesignView.com, Chinese Design Registration 3630893, Application Date Nov. 4, 2017, pp. 1-4” (Year: 2007).\*

\* cited by examiner

*Primary Examiner* — Cynthia Ramirez  
*Assistant Examiner* — Gino Colan

(57) **CLAIM**

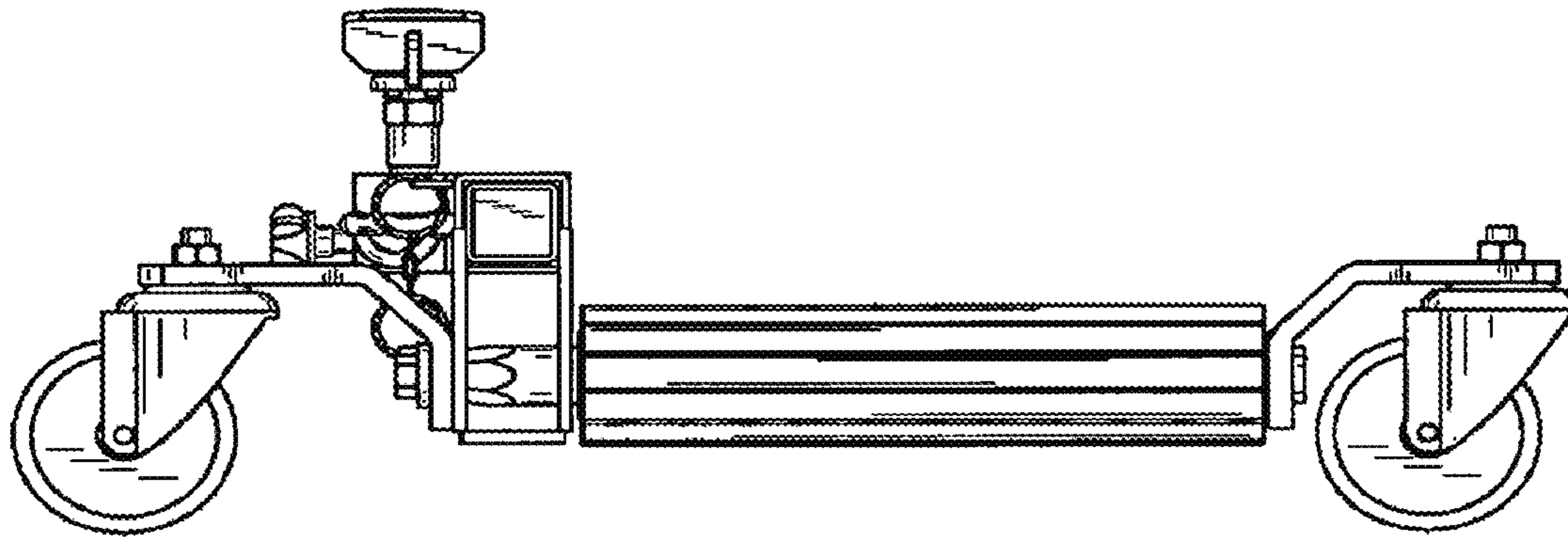
The ornamental design for an automobile lifting jack, as shown and described.

**DESCRIPTION**

FIG. 1 is a front view of the automobile lifting jack showing our new design;  
FIG. 2 is a back view thereof;  
FIG. 3 is a left side view thereof;  
FIG. 4 is a right side view thereof;  
FIG. 5 is a top view thereof;  
FIG. 6 is a bottom view thereof;  
FIG. 7 is a top perspective view thereof; and,  
FIG. 8 is a bottom perspective view thereof.

**1 Claim, 6 Drawing Sheets**

- (56) **References Cited**  
U.S. PATENT DOCUMENTS  
4,854,803 A \* 8/1989 Coccoaro ..... B60B 29/002  
D34/28  
5,112,070 A \* 5/1992 Hahn ..... B60B 29/002  
280/79.4  
D370,109 S \* 5/1996 Hodges ..... D34/23



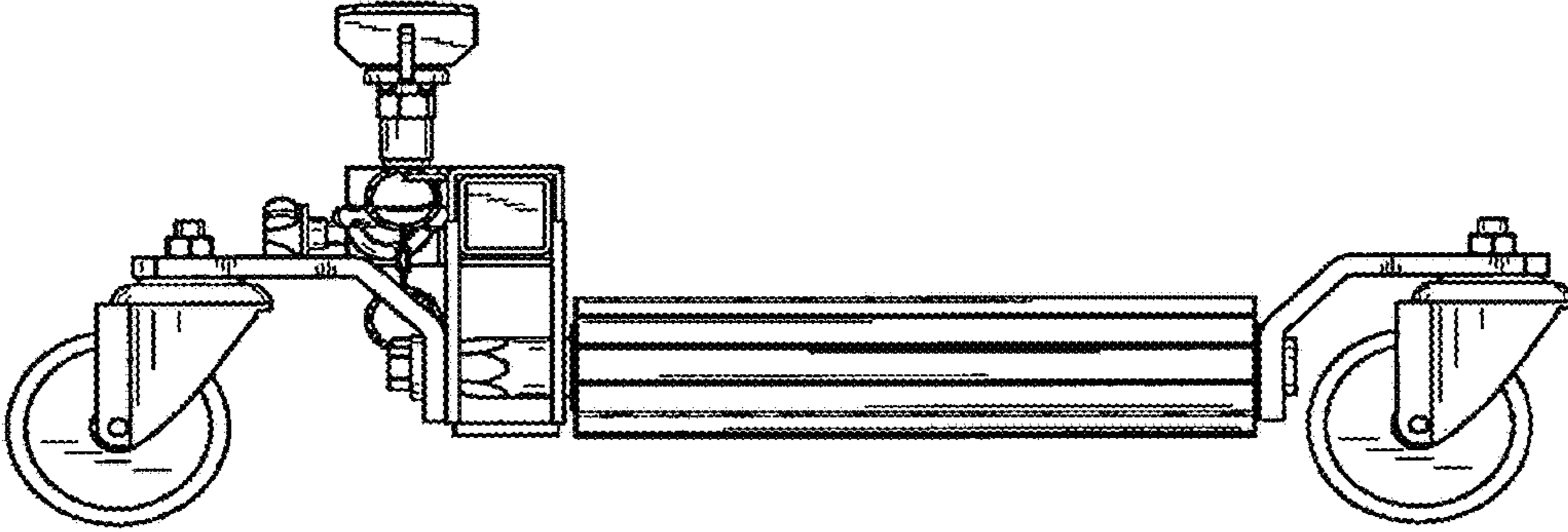


FIG.1

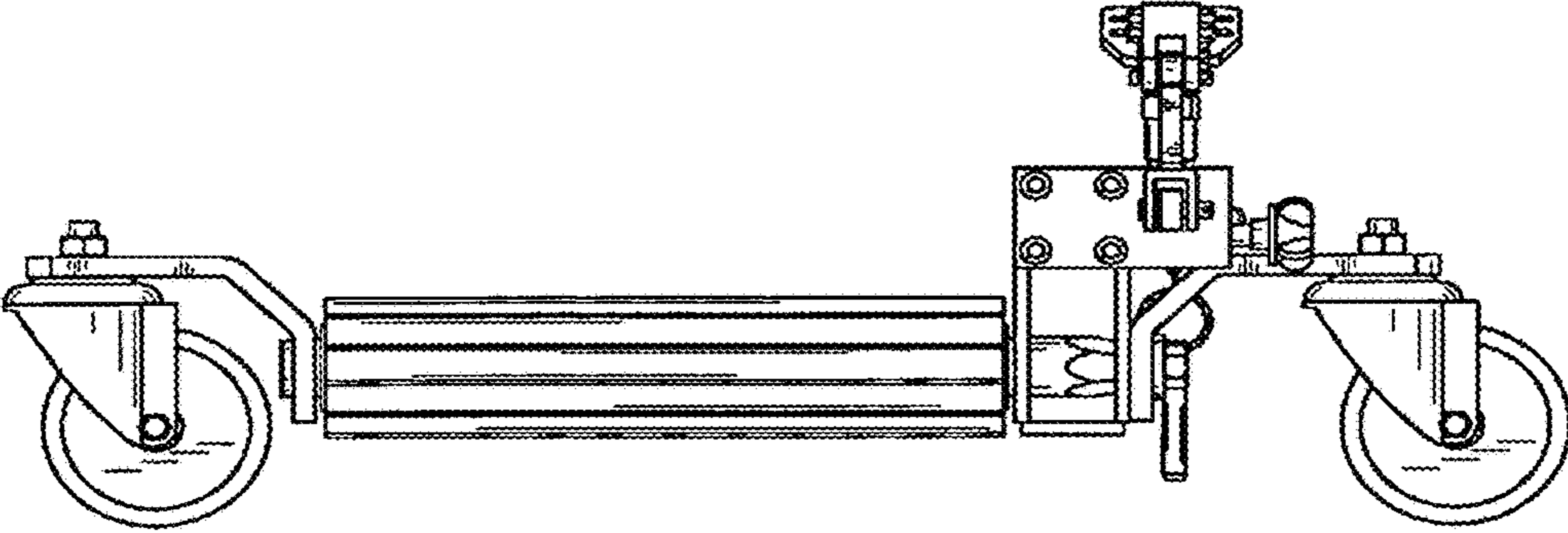


FIG.2

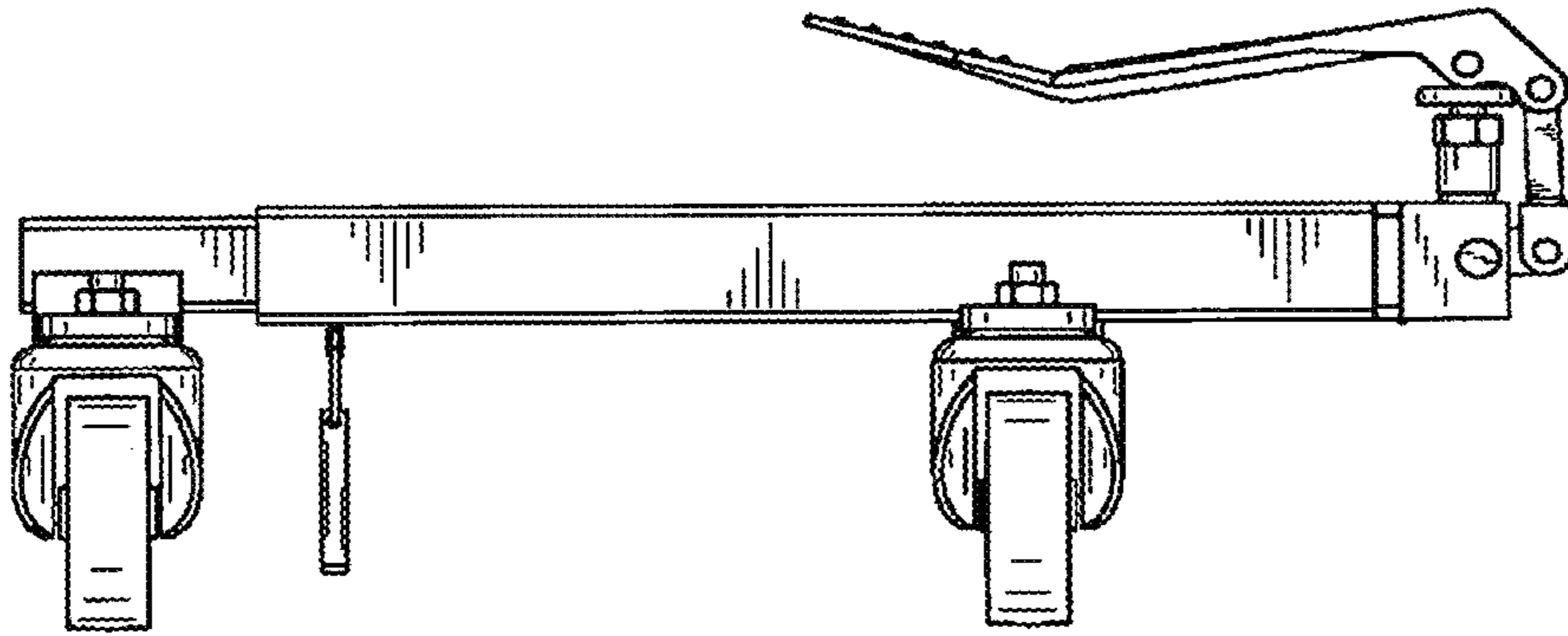


FIG.3

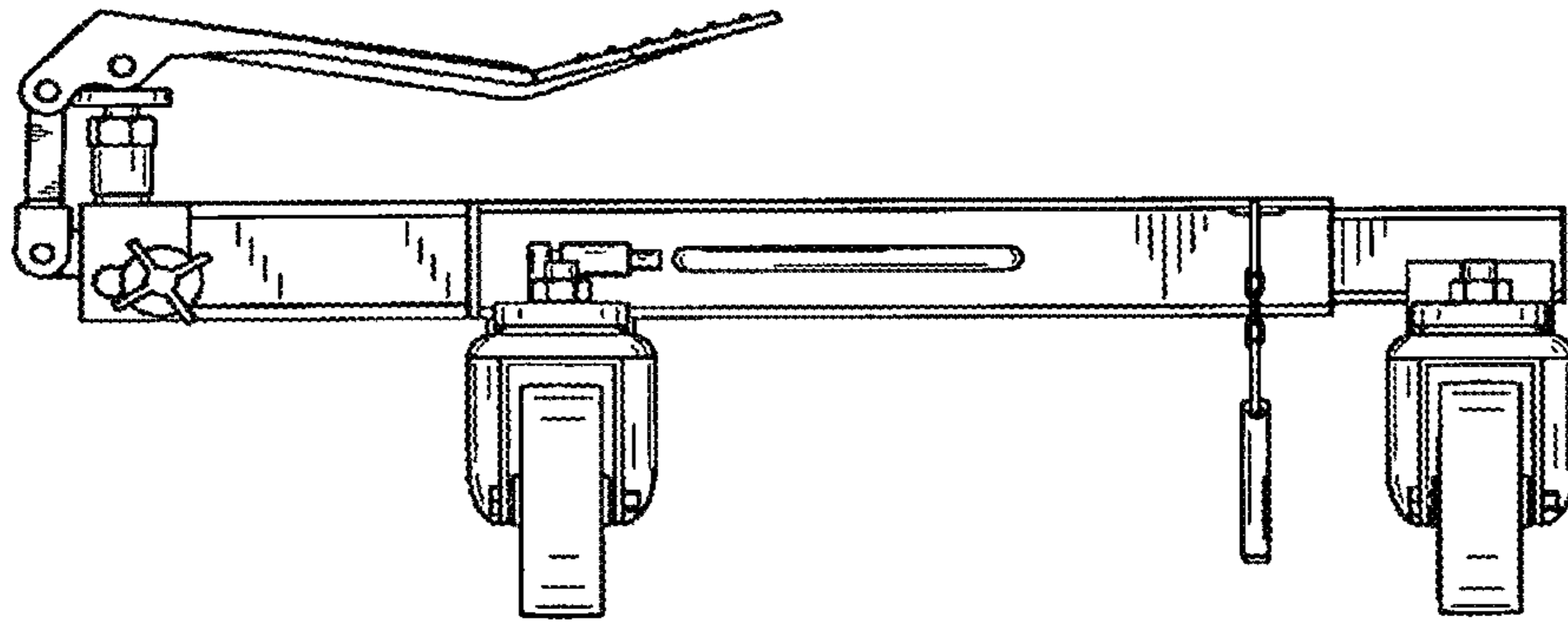


FIG.4

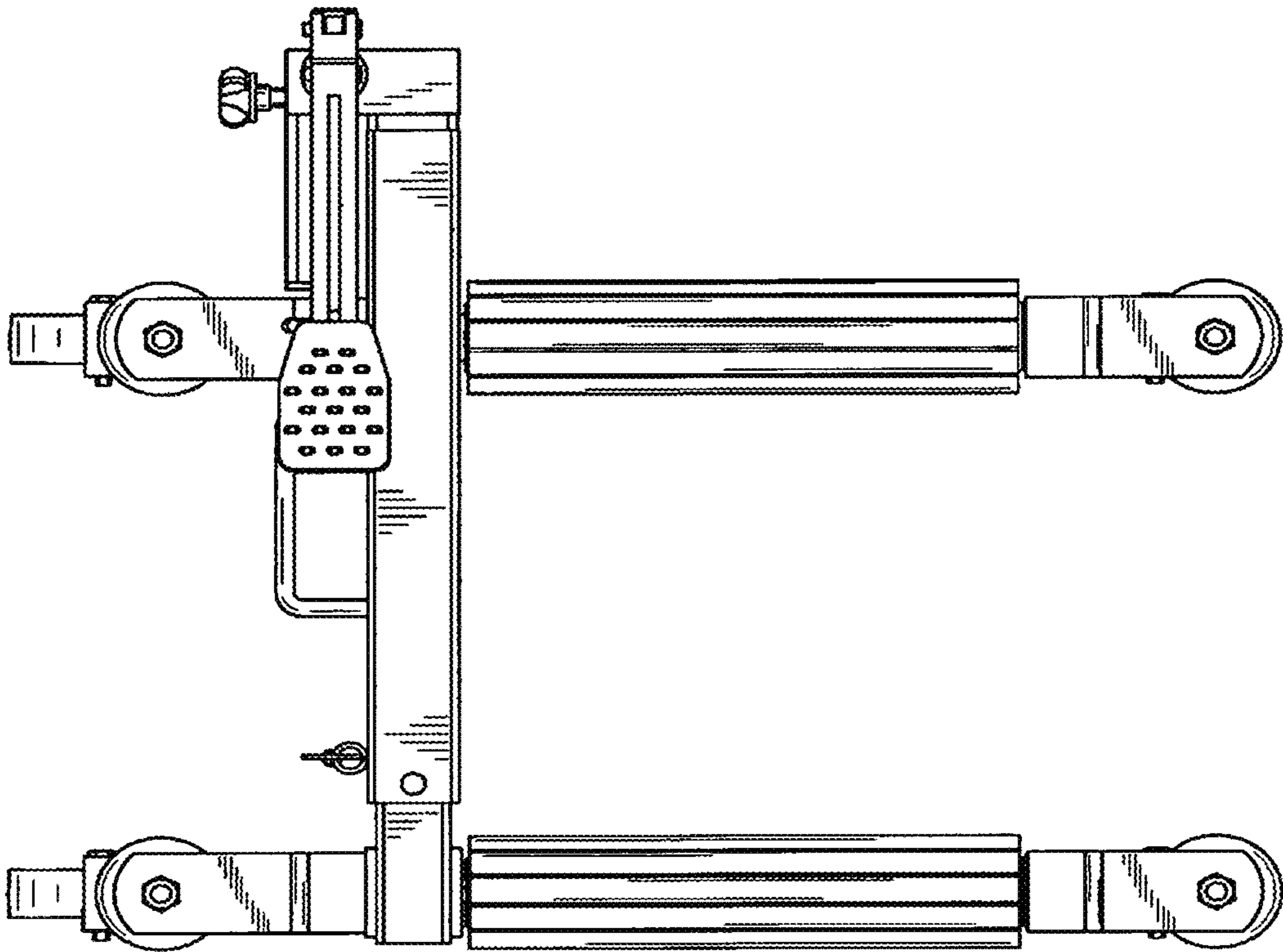


FIG.5

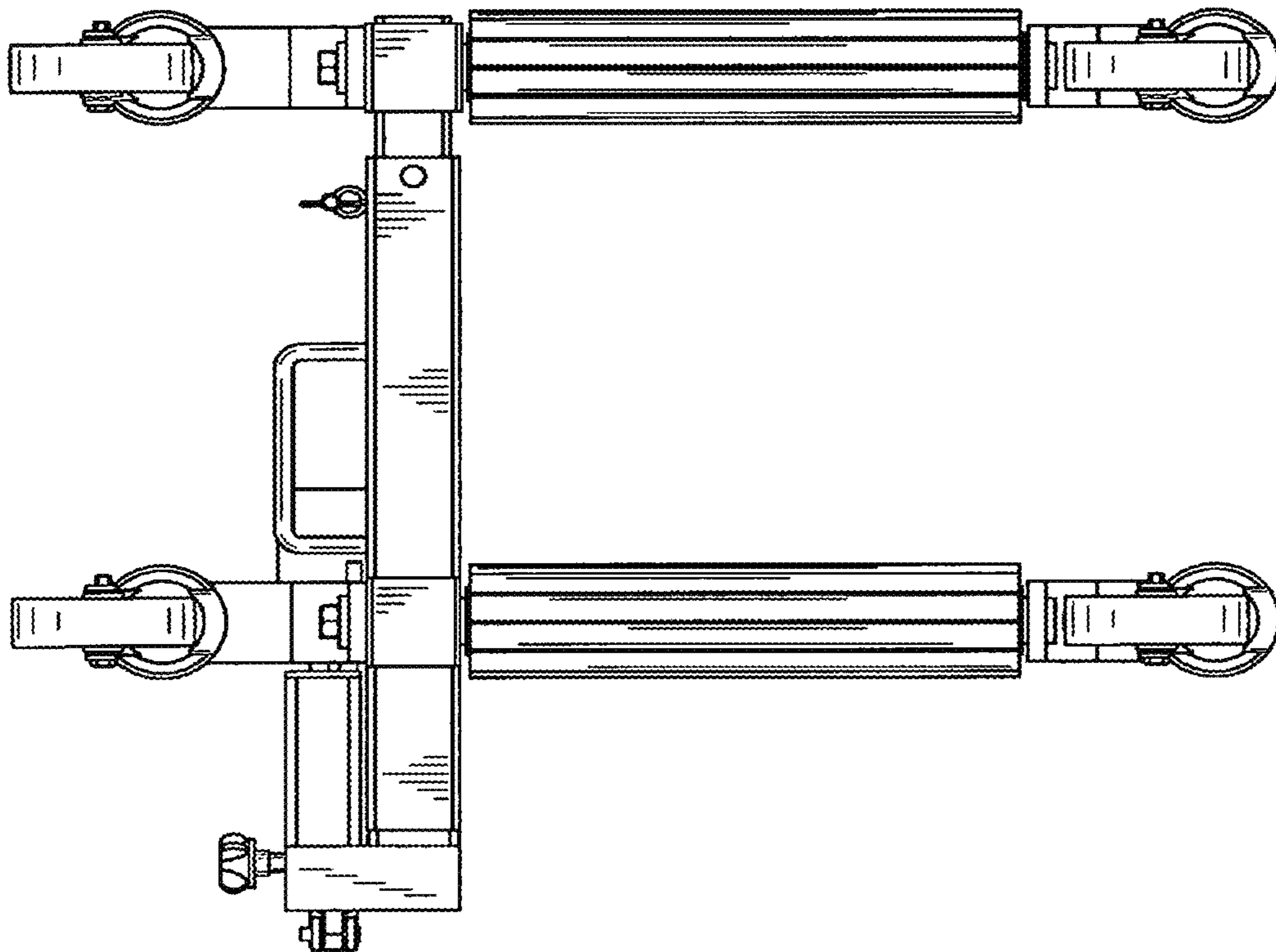


FIG.6



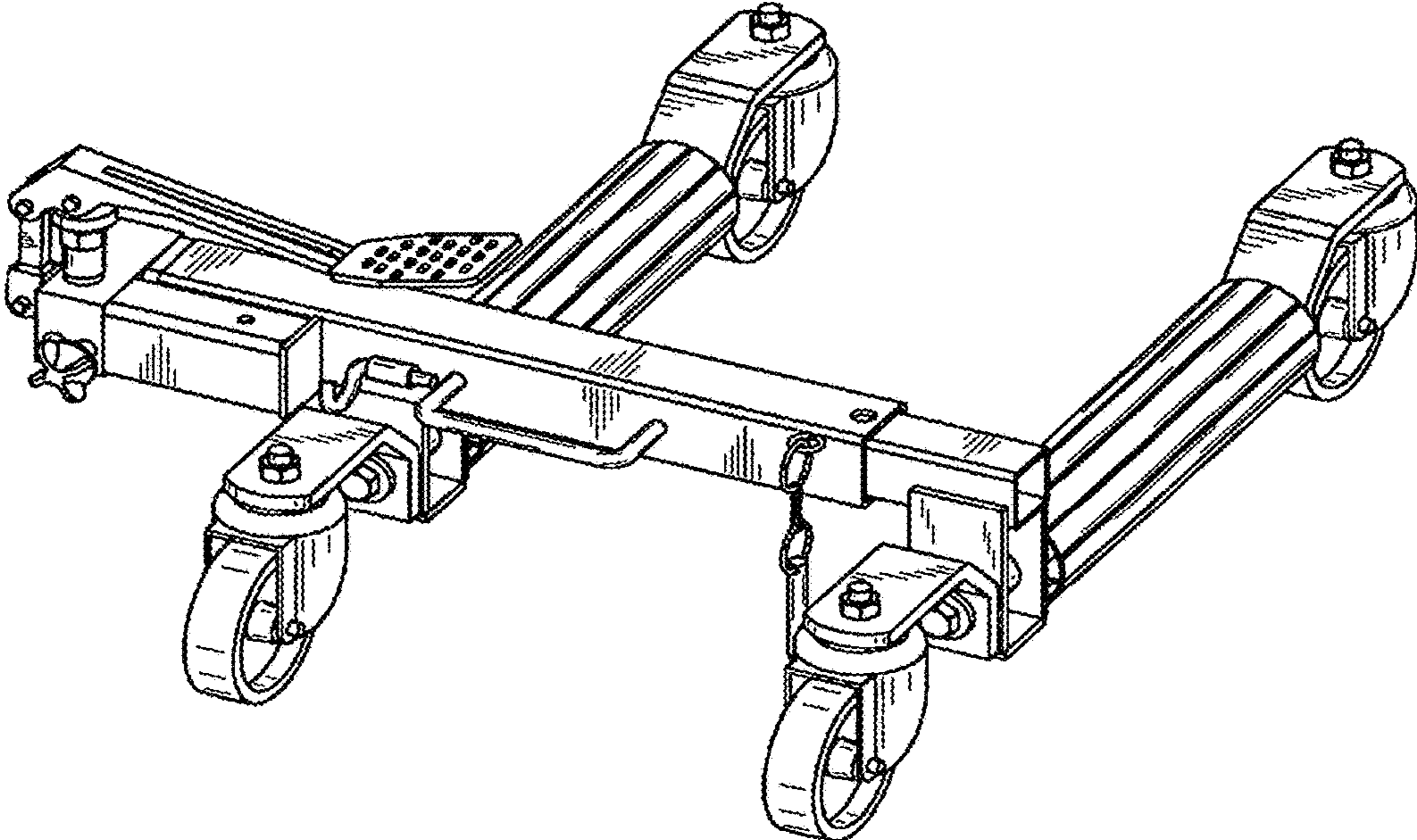


FIG.7

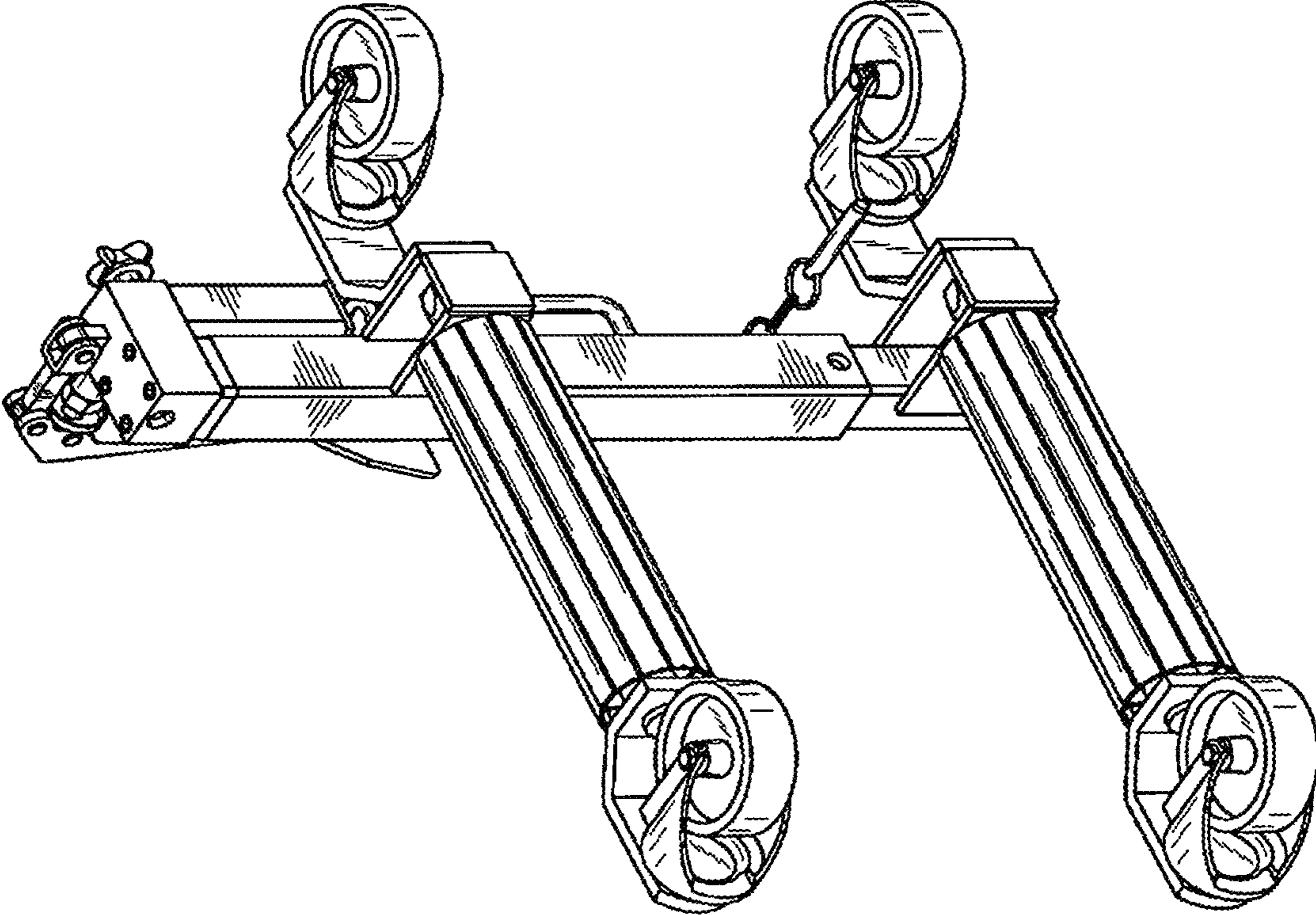


FIG.8