



US00D824129S

(12) **United States Design Patent**
Gooden

(10) **Patent No.:** **US D824,129 S**
(45) **Date of Patent:** **** Jul. 24, 2018**

- (54) **GLASS CLEANING TOOL**
- (71) Applicant: **Hopkins Manufacturing Corporation**,
Emporia, KS (US)
- (72) Inventor: **Marcus Gooden**, LomaLinda, CA (US)
- (73) Assignee: **Hopkins Manufacturing Corporation**,
Emporia, KS (US)

- D615,261 S * 5/2010 Bunnag D32/48
- D615,262 S * 5/2010 Bunnag D32/48
- D617,967 S * 6/2010 Lambert D32/46
- D649,314 S * 11/2011 Quinlan D32/41
- 8,763,193 B1 * 7/2014 Thompson A46B 15/0055
15/106
- D756,580 S * 5/2016 Philip D32/46
- D759,924 S * 6/2016 Masalin D32/40
- D762,933 S * 8/2016 Masalin D32/40

(Continued)

(**) Term: **15 Years**

FOREIGN PATENT DOCUMENTS

(21) Appl. No.: **29/604,605**

EM 004042869-0001 * 6/2017

(22) Filed: **May 18, 2017**

OTHER PUBLICATIONS

(51) **LOC (11) Cl.** **07-05**

(52) **U.S. Cl.**
USPC **D32/46**

AAPEX 2017, Hopkins booth page, <http://www.aapexshow.com/2017/public/eBooth.aspx?IndexInList=0&FromPage=Exhibitor...> site visited Mar. 3, 2018.*

(58) **Field of Classification Search**
USPC D32/40-49; D7/683, 653; D8/11-13;
D4/116, 118
CPC A47L 17/00; B08B 1/00
See application file for complete search history.

(Continued)

Primary Examiner — John Windmuller
Assistant Examiner — John R Yeh
(74) *Attorney, Agent, or Firm* — Bond Schoeneck &
King, PLLC; George McGuire

(56) **References Cited**

U.S. PATENT DOCUMENTS

(57) **CLAIM**

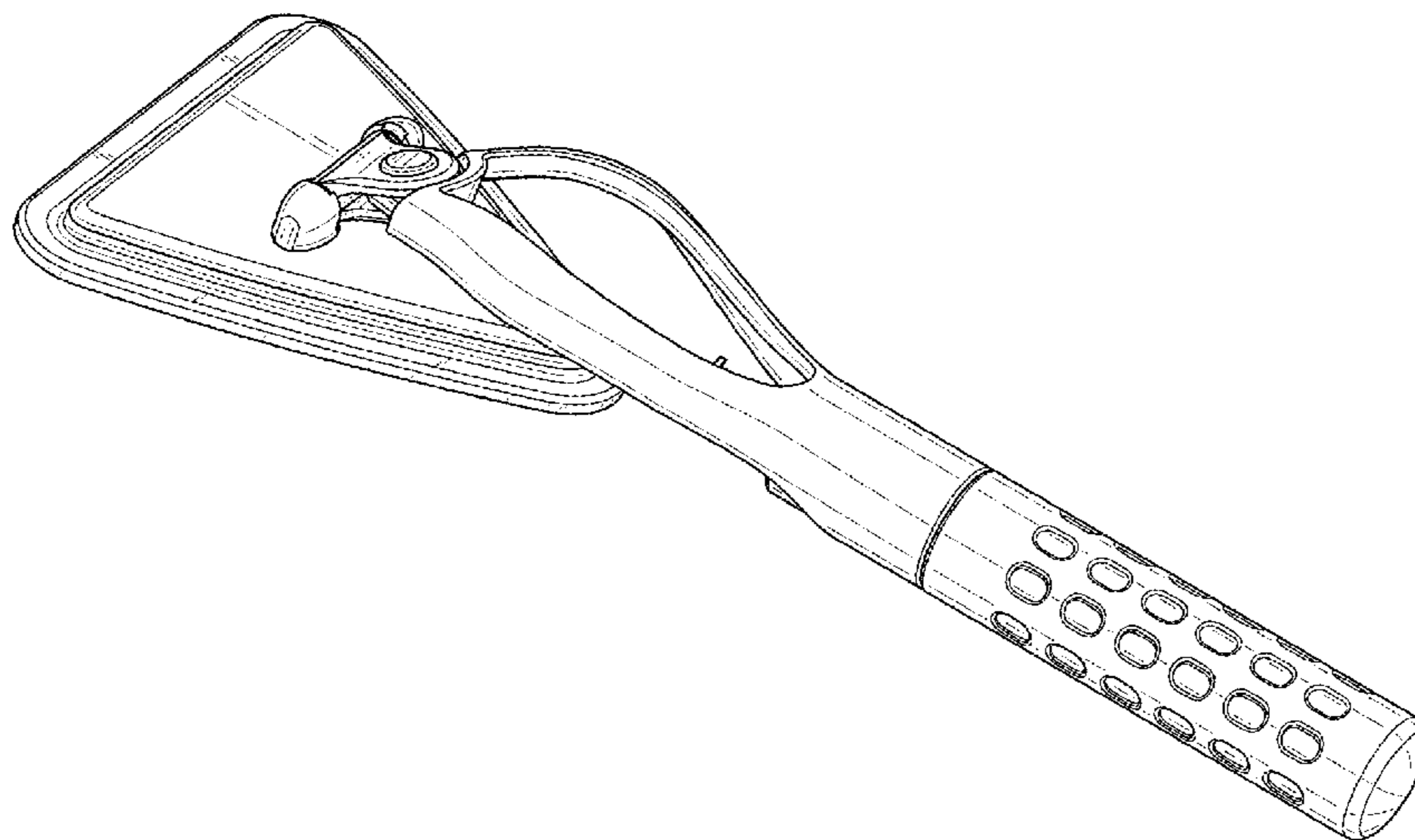
- 3,070,823 A * 1/1963 Heinig B23D 79/06
15/236.02
- 4,275,476 A * 6/1981 Hopkins B60S 3/045
15/236.02
- D362,937 S * 10/1995 Camp, Jr. D32/48
- D373,251 S * 9/1996 Young D32/42
- D417,049 S * 11/1999 Hughes D32/49
- D422,125 S * 3/2000 Sneed D32/49
- D456,576 S * 4/2002 Philipson D32/49
- D478,699 S * 8/2003 Henriksson D32/49
- D544,162 S * 6/2007 Uffner D32/46
- D547,552 S * 7/2007 Borovicka D4/129
- 7,249,393 B2 * 7/2007 Marion A47L 1/16
15/236.02
- 7,293,361 B1 * 11/2007 Miller E01H 5/02
173/202
- D587,871 S * 3/2009 van Deursen D32/46

The ornamental design for a glass cleaning tool, as shown and described.

DESCRIPTION

FIG. 1—is a front right perspective view of the glass cleaning tool;
FIG. 2—is a front elevation view thereof;
FIG. 3—is a rear elevation view thereof;
FIG. 4—is a first side elevation view thereof;
FIG. 5—is a second side elevation view thereof;
FIG. 6—is a top plan view thereof; and,
FIG. 7—is a bottom plan view thereof.

1 Claim, 7 Drawing Sheets



(56)

References Cited

U.S. PATENT DOCUMENTS

D788,394 S * 5/2017 Bo D32/42
D797,391 S * 9/2017 Latham D32/46

OTHER PUBLICATIONS

TOOGOO(R) Home Glass Window Squeegee Scraper—SilkRoad
Select website 2018, <https://silkroadselect.com/collections/squeegees/products/toogoor-home-glass-window-wate> . . . site visited
Mar. 3, 2018.*

* cited by examiner

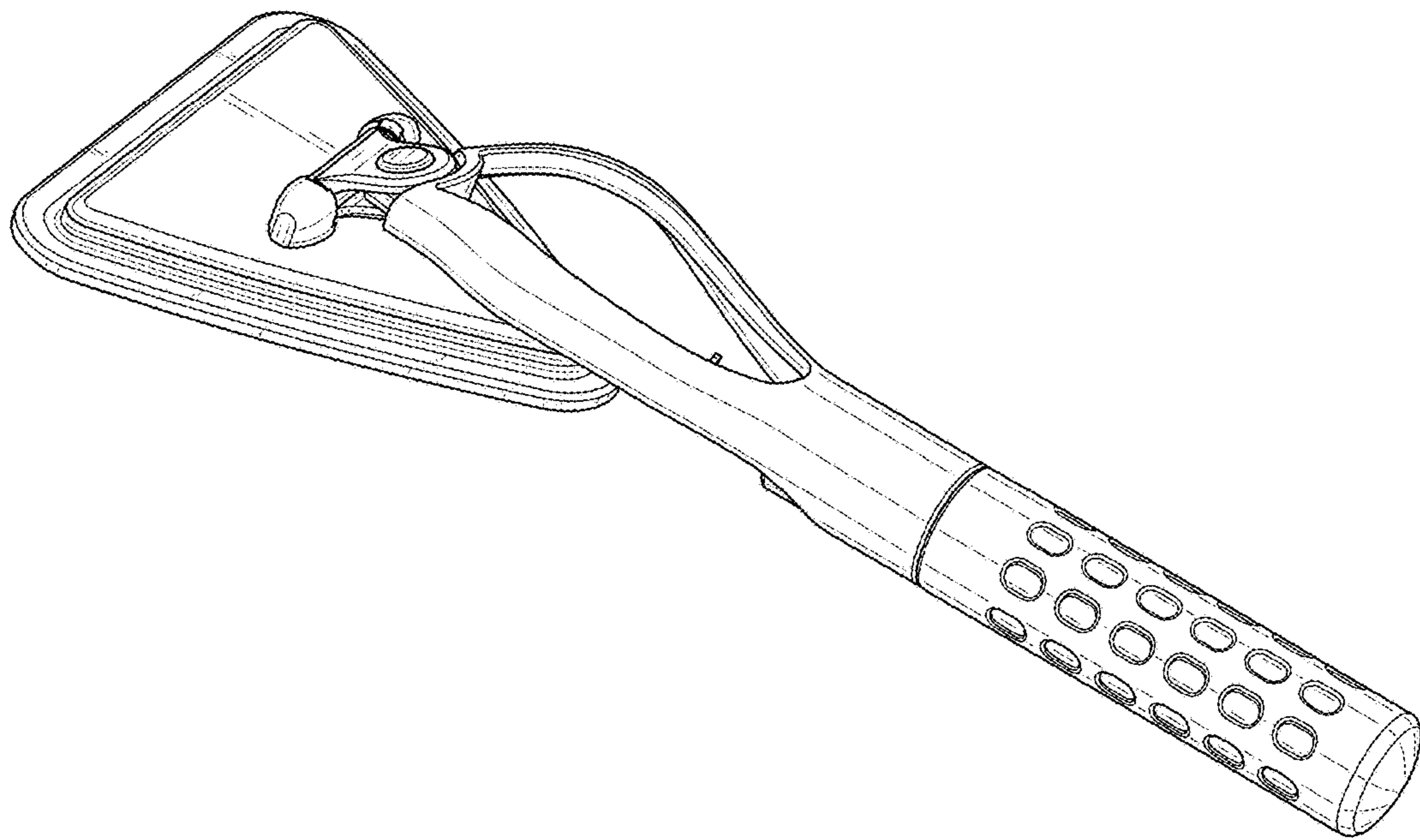


FIG. 1

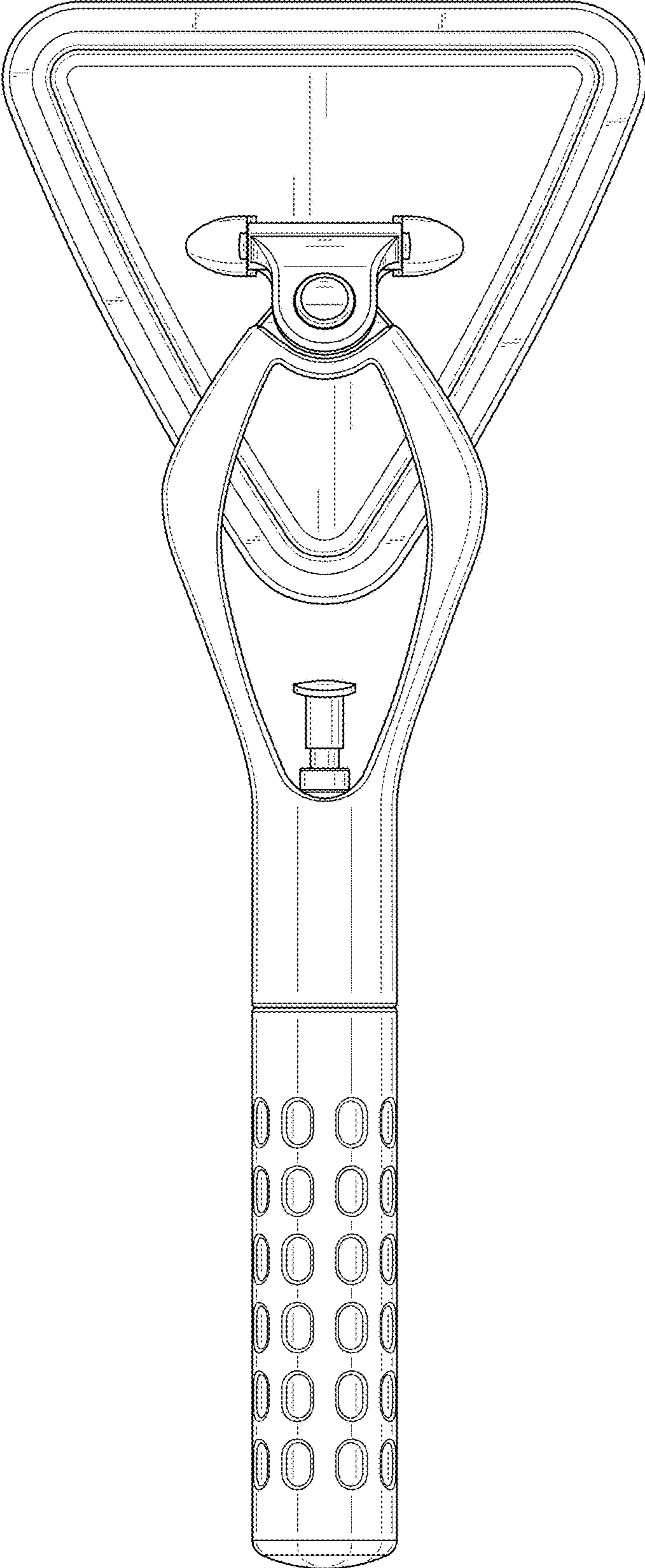


FIG. 2

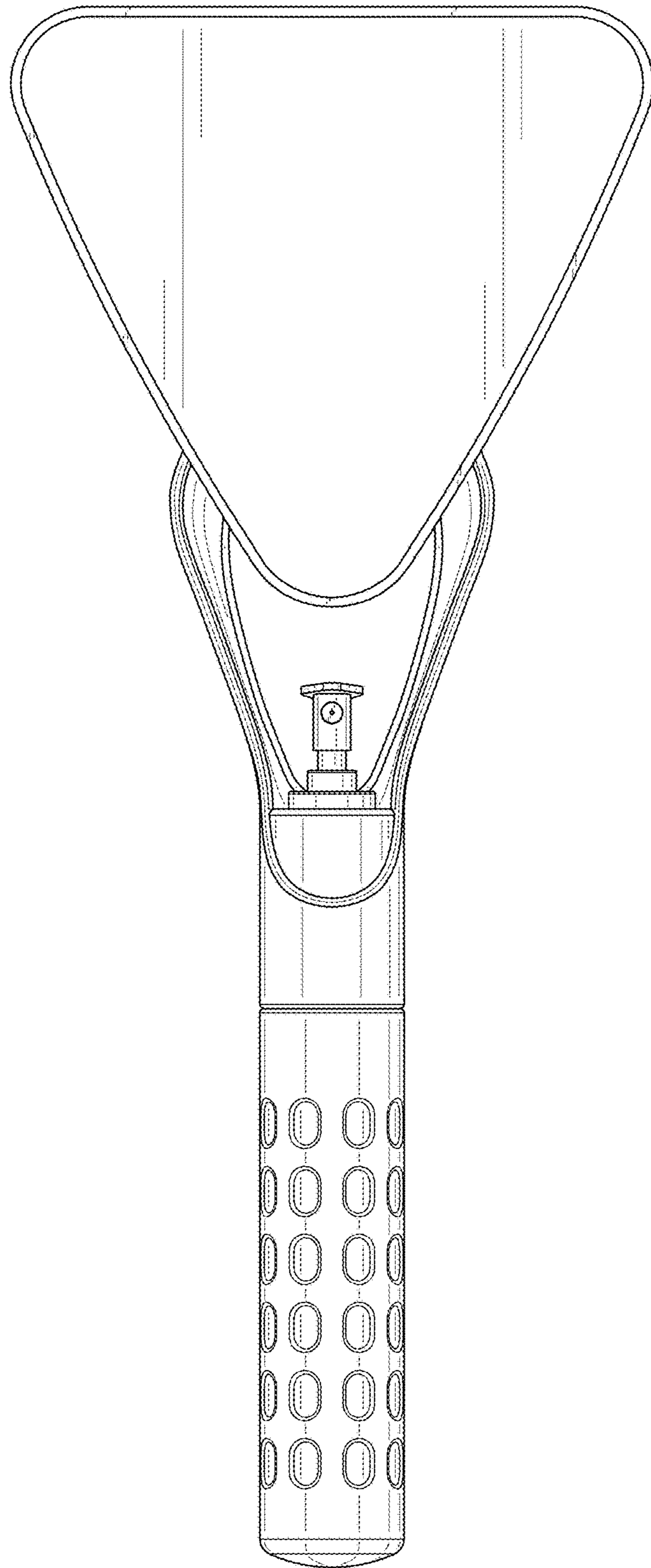


FIG. 3

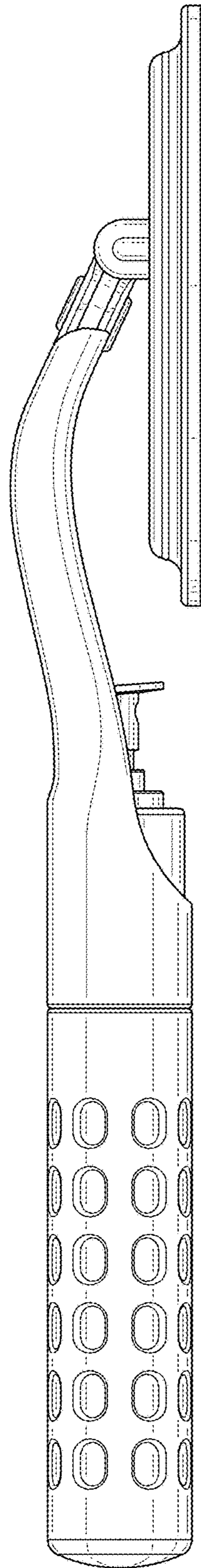


FIG. 4

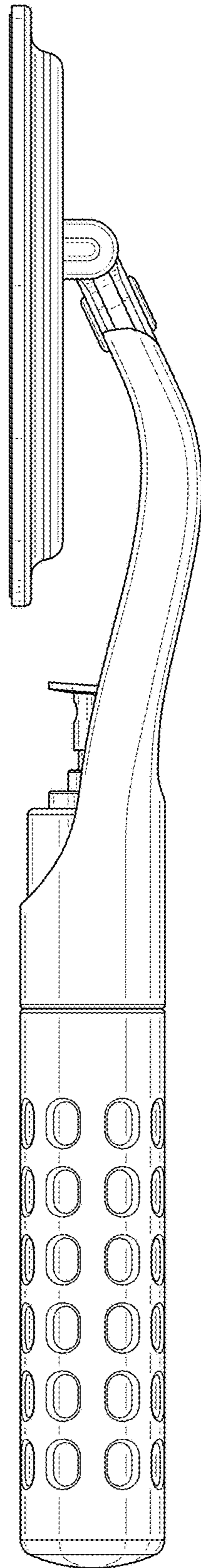


FIG. 5

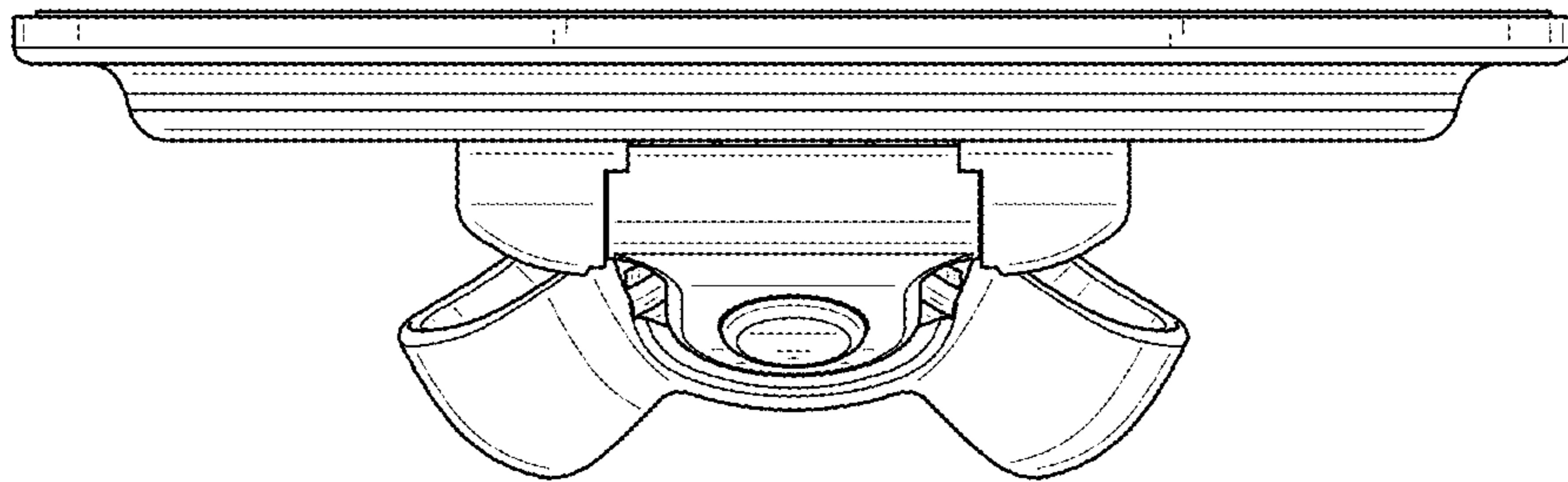


FIG. 6

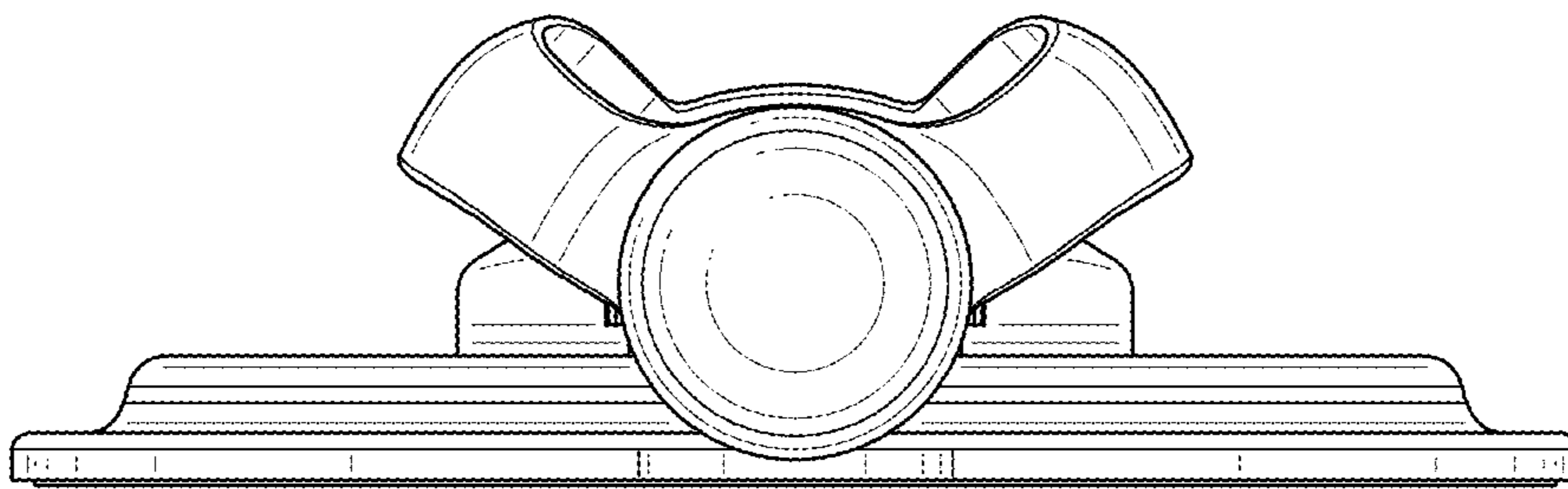


FIG. 7