



US00D824125S

(12) **United States Design Patent**
Kim et al.

(10) **Patent No.:** **US D824,125 S**
(45) **Date of Patent:** **** Jul. 24, 2018**

(54) **BRUSH FOR VACUUM CLEANER**

(71) Applicant: **SAMSUNG ELECTRONICS CO., LTD.**, Suwon-si (KR)

(72) Inventors: **Youngjin Kim**, Gunpo-si (KR);
Hyungsub Choi, Goyang-si (KR)

(73) Assignee: **Samsung Electronics Co., Ltd.**,
Suwon-si (KR)

(**) Term: **15 Years**

(21) Appl. No.: **29/571,486**

(22) Filed: **Jul. 19, 2016**

(30) **Foreign Application Priority Data**

Mar. 18, 2016 (KR) 30-2016-0012723

(51) **LOC (11) Cl.** **15-05**

(52) **U.S. Cl.**
USPC **D32/32**

(58) **Field of Classification Search**

USPC D32/31-34, 22

CPC A47L 5/24; A47L 5/38; A47L 5/28; A47L

11/4044; A47L 11/34; A47L 7/0038;

A47L 9/325; A47L 9/02; A47L 1/08;

D01H 11/006; B60S 1/64; A46B 11/001;

A46B 11/002; B08B 3/026; B08B 3/028

See application file for complete search history.

(56) **References Cited**

U.S. PATENT DOCUMENTS

D456,967 S * 5/2002 Santiago D32/32

D507,854 S * 7/2005 Kim D32/32

D511,231 S * 11/2005 Langham D32/33

D643,168 S * 8/2011 Dyson D32/32

D649,725 S * 11/2011 Fjellman D32/32

D672,103 S * 12/2012 Dyson D32/32

D775,443 S * 12/2016 Kwon D32/33

D789,007 S * 6/2017 Jang D32/32

D796,136 S * 8/2017 Reynolds D32/33

FOREIGN PATENT DOCUMENTS

EM 000474697-0001 3/2006

EM 001916438-0002 9/2011

EM 002079996-0001 8/2012

EM 002217703-0001 11/2014

* cited by examiner

Primary Examiner — Ruth McInroy

(74) *Attorney, Agent, or Firm* — NSIP Law

(57) **CLAIM**

We claim the ornamental design for a brush for vacuum cleaner, as shown and described.

DESCRIPTION

FIG. 1 is a front perspective view of a brush for vacuum cleaner showing our new design;

FIG. 2 is a front view thereof;

FIG. 3 is a rear view thereof;

FIG. 4 is a left-side view thereof;

FIG. 5 is a right-side view thereof;

FIG. 6 is a top view thereof;

FIG. 7 is a bottom view thereof;

FIG. 8 is a rear perspective view thereof; and,

FIG. 9 is a bottom perspective view thereof.

The broken lines in the figures depict environmental subject matter and form no part of the claimed design.

1 Claim, 9 Drawing Sheets

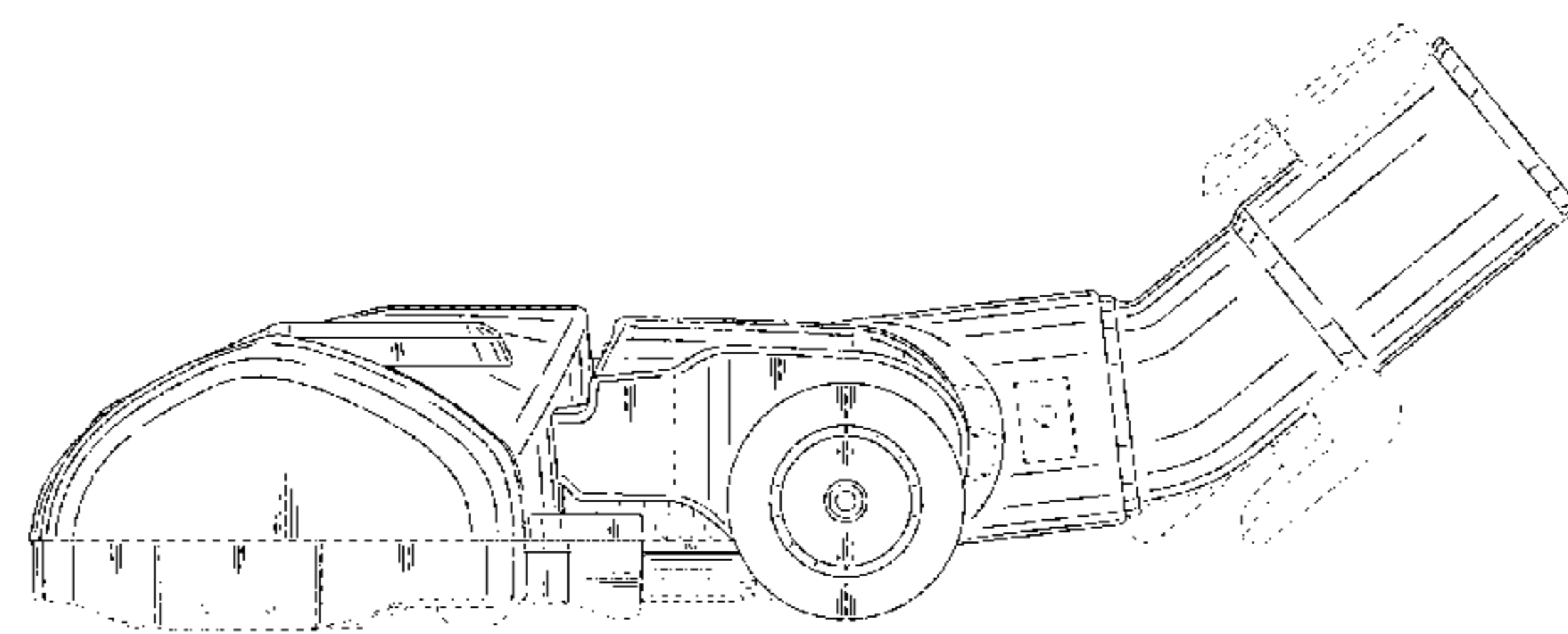
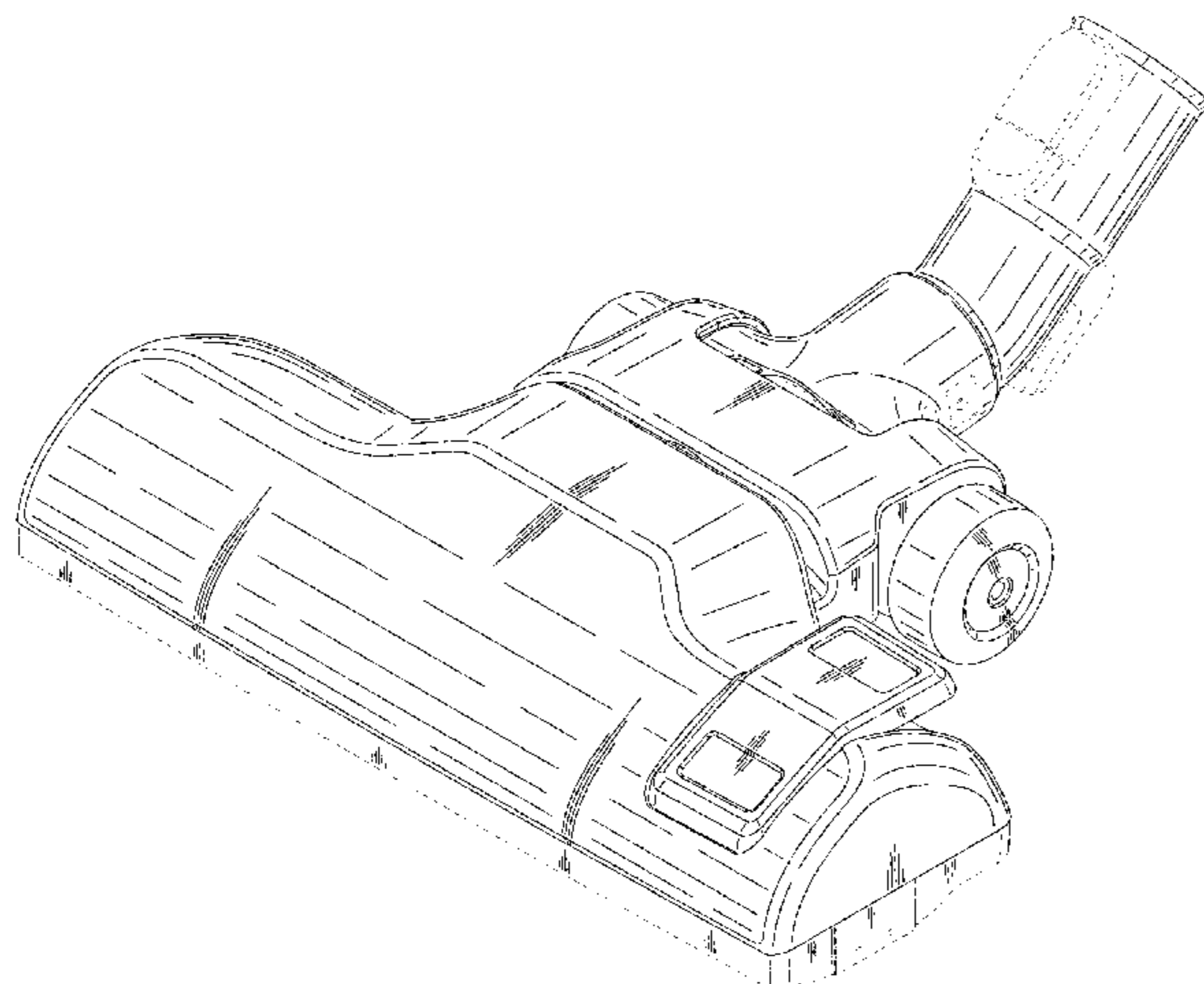


FIG. 1

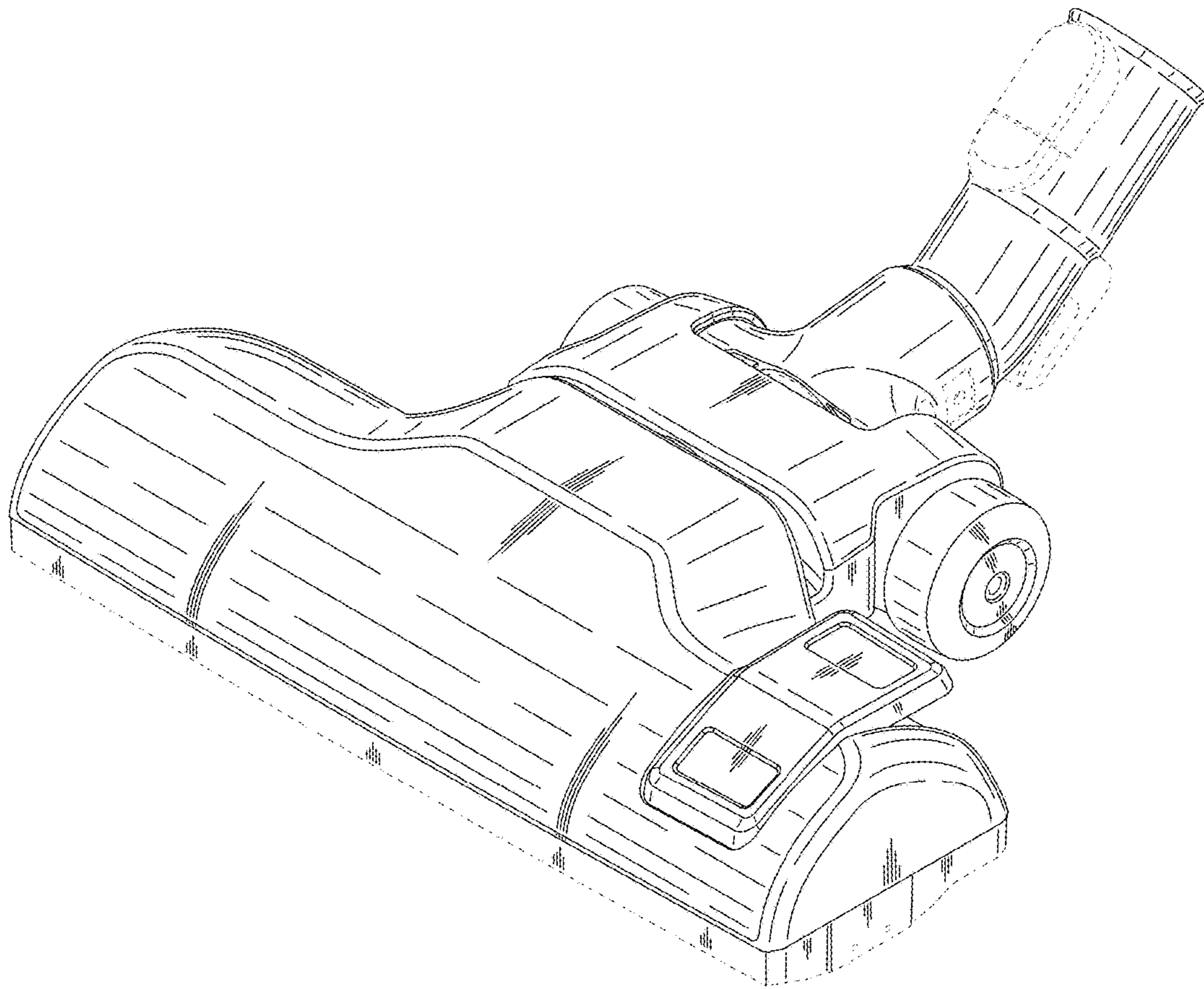


FIG. 2

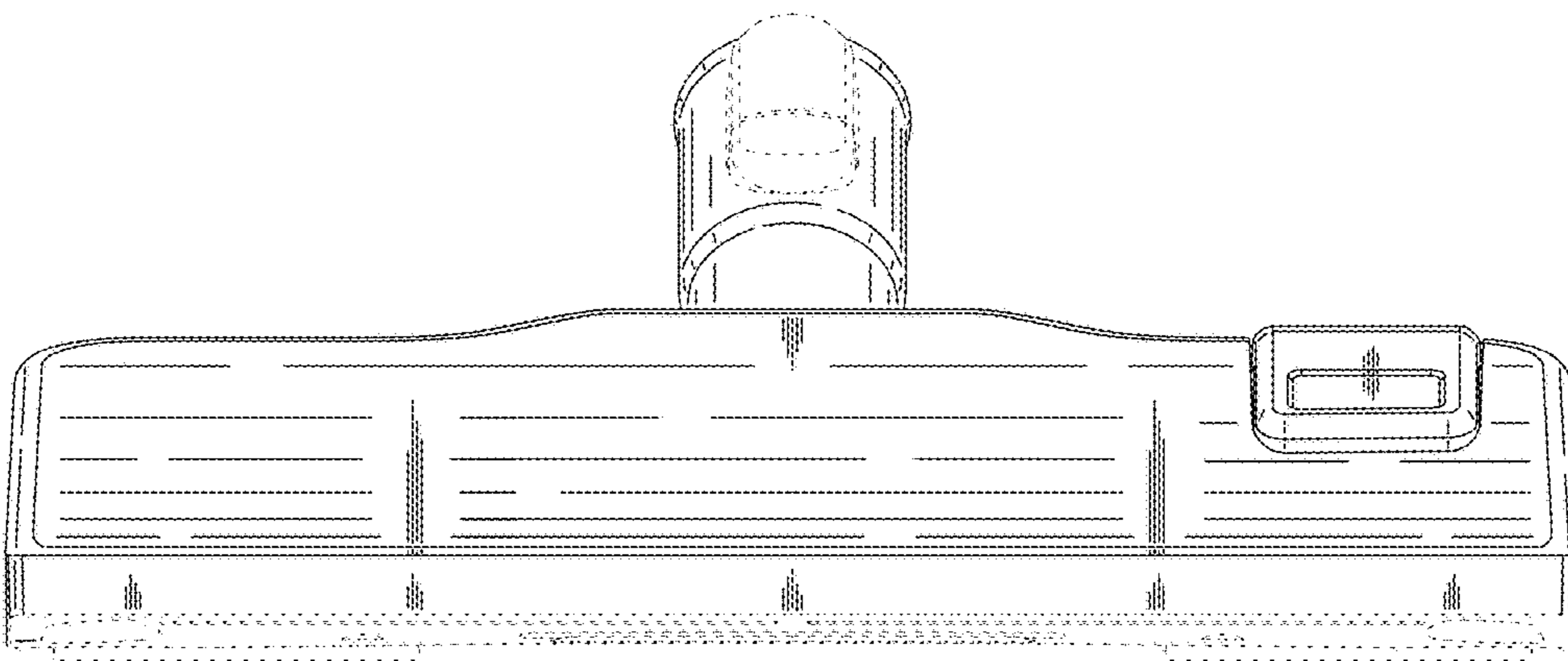


FIG. 3

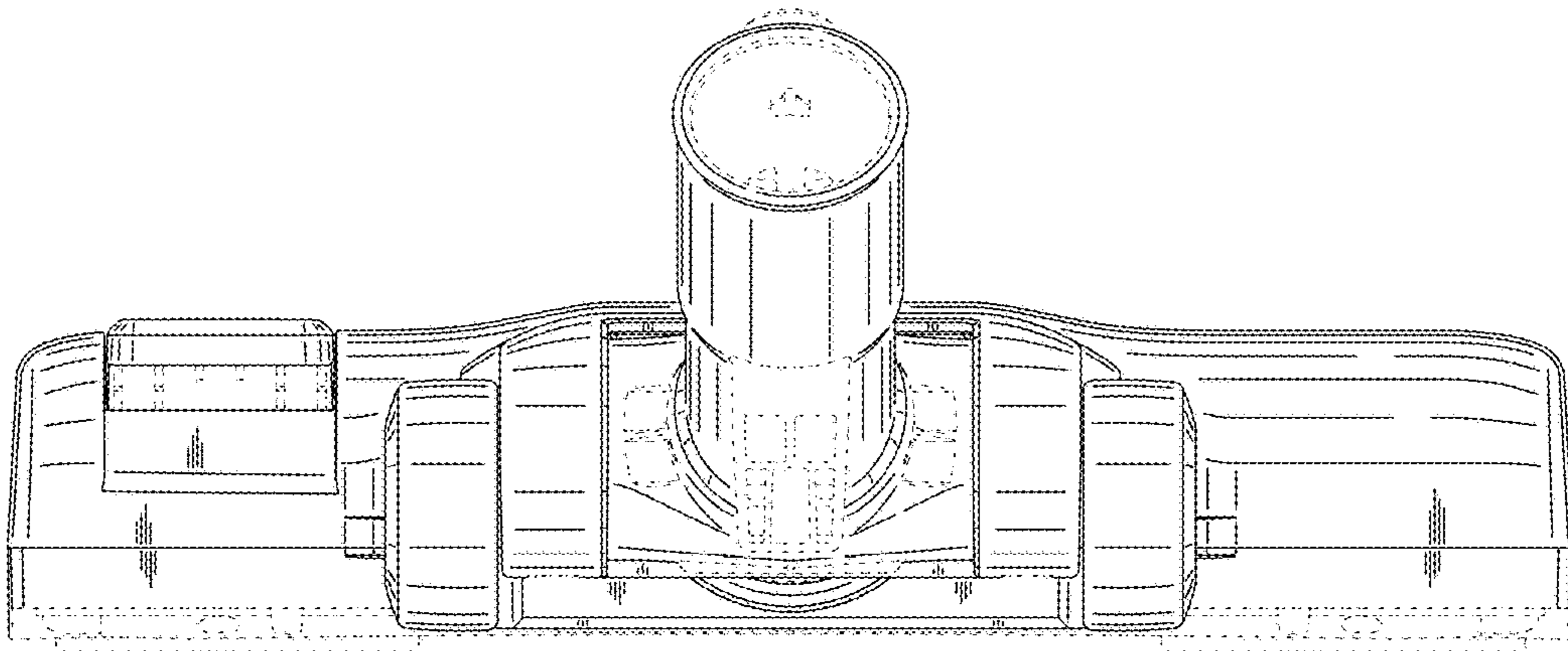


FIG. 4

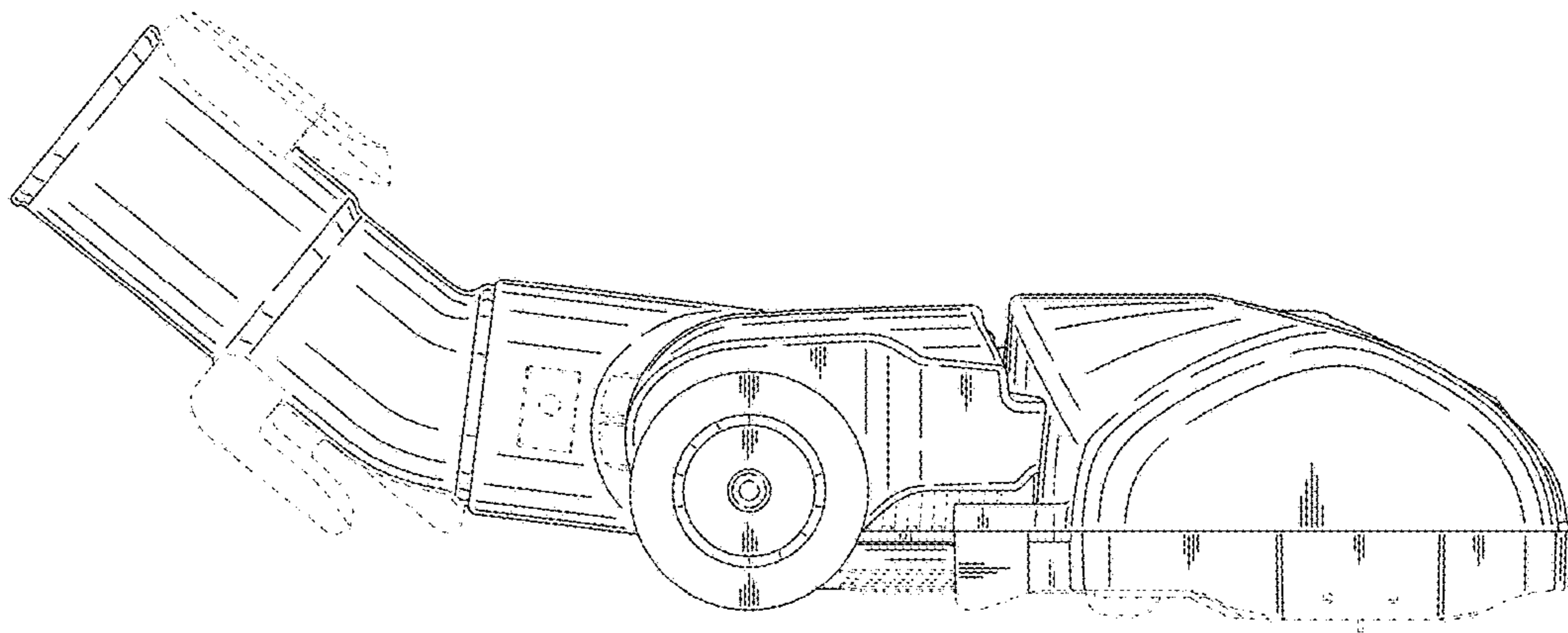


FIG. 5

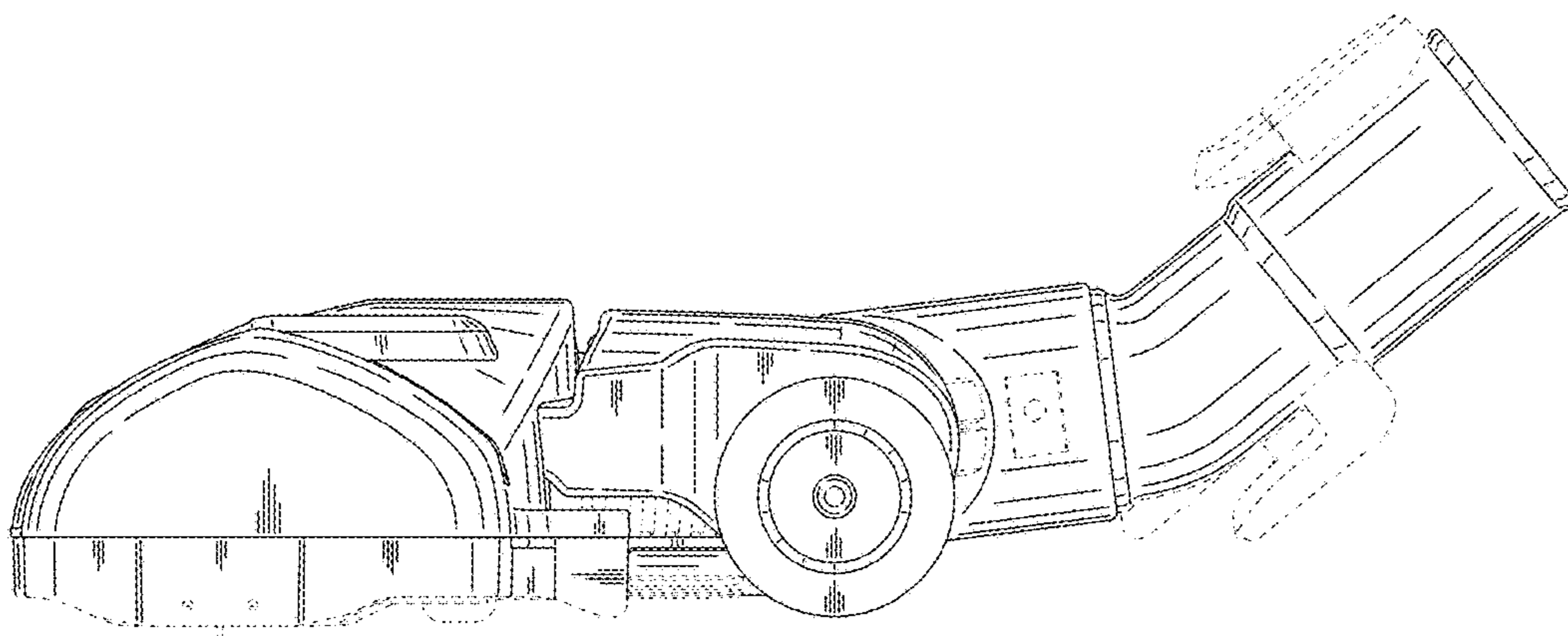


FIG. 6

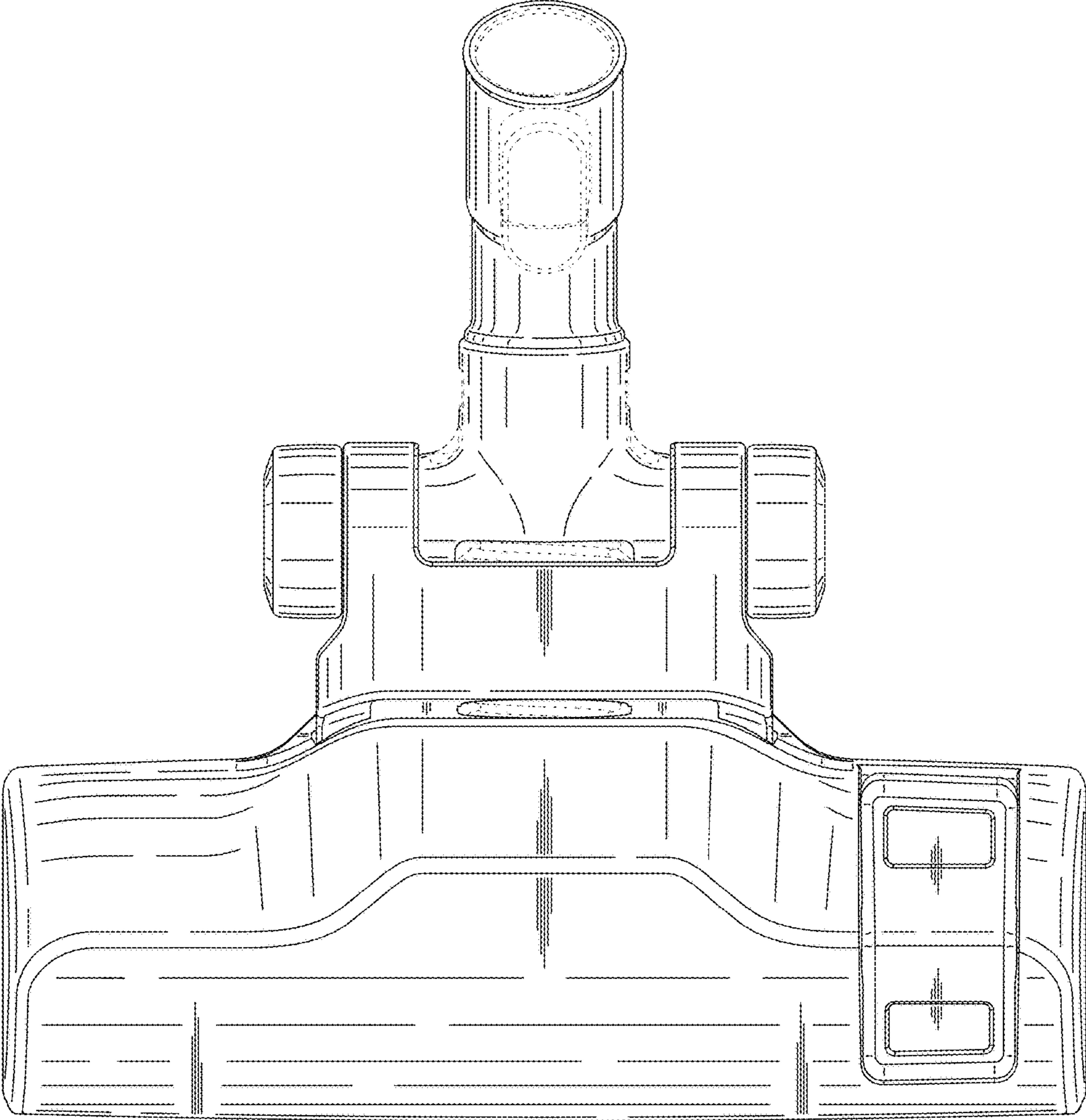


FIG. 7

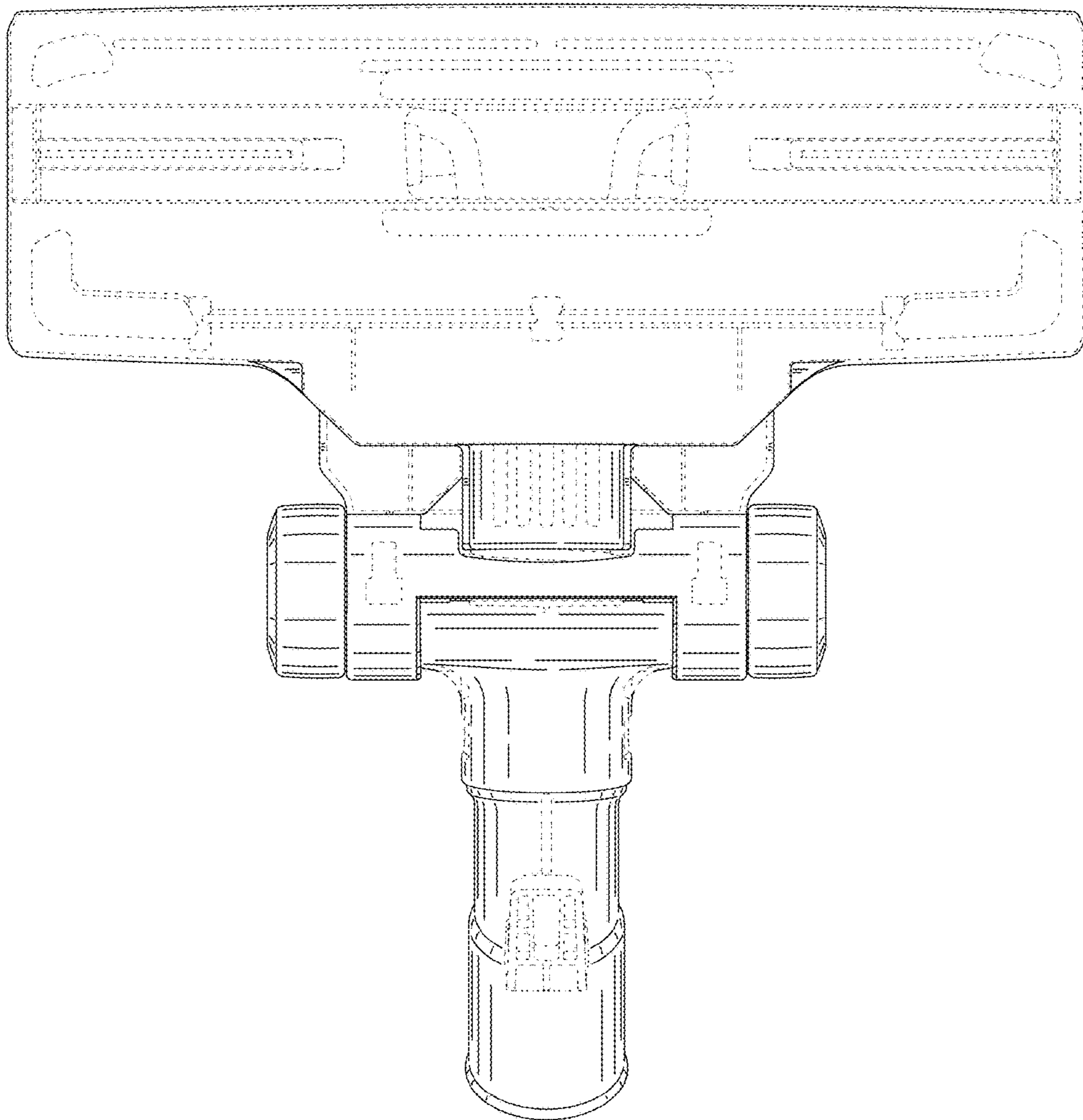


FIG. 8

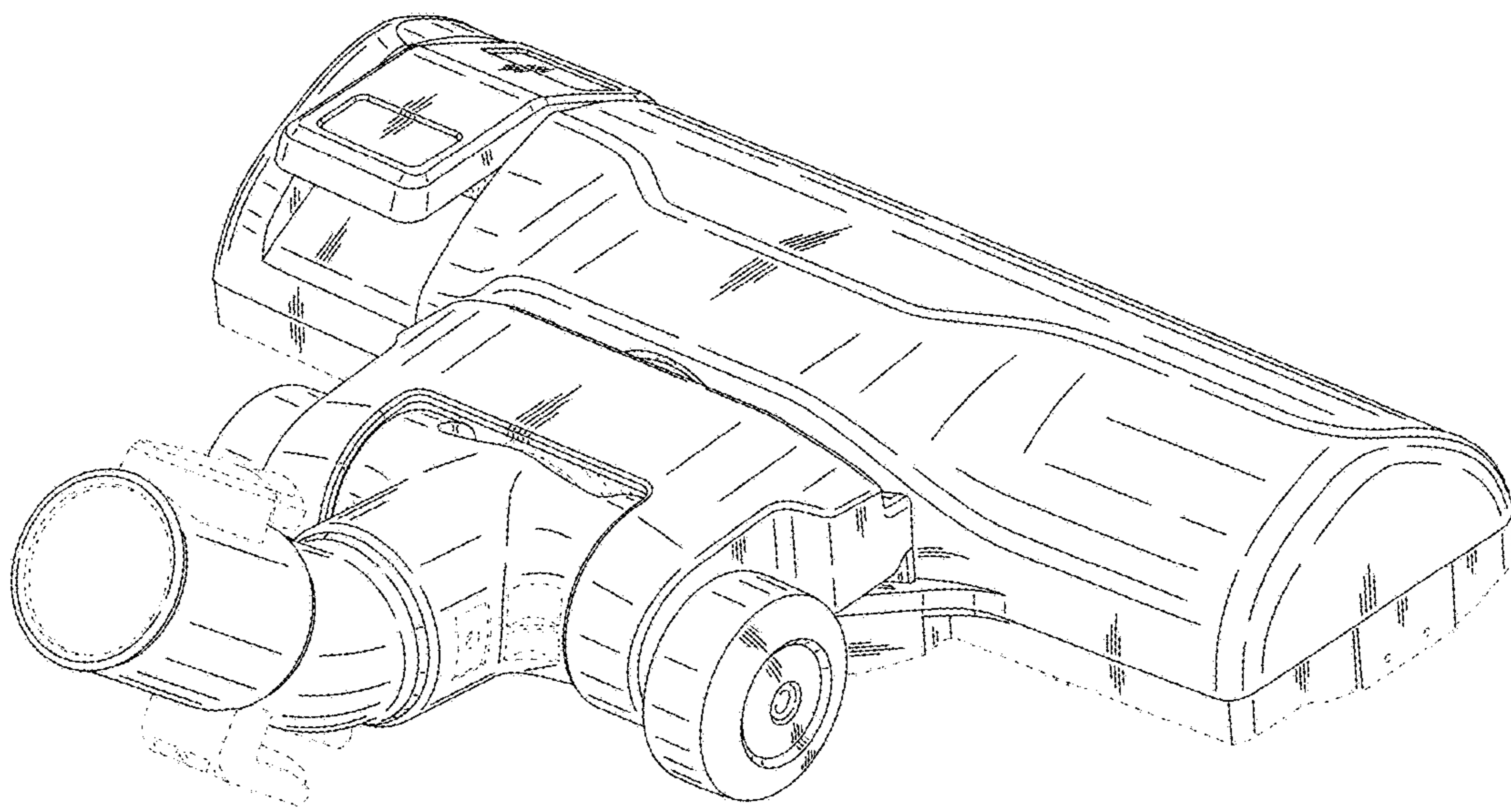


FIG. 9

